



US00D475966S

(12) **United States Design Patent**
Chunn et al.

(10) **Patent No.:** **US D475,966 S**

(45) **Date of Patent:** **** Jun. 17, 2003**

(54) **RADIO/CD CHARGER**

(75) Inventors: **Daniel Alex Chunn**, Hong Kong (CN);
Lap Hon Tsang, Hong Kong (CN);
Tailun Kam Lun Sham, Hong Kong (CN)

(73) Assignee: **One World Technologies, Limited**,
Hamilton (BM)

(**) Term: **14 Years**

(21) Appl. No.: **29/166,815**

(22) Filed: **Sep. 4, 2002**

(51) **LOC (7) Cl.** **13-02**

(52) **U.S. Cl.** **D13/108**

(58) **Field of Search** D13/107, 108,
D13/110; D14/137, 168, 169; 320/104,
105, 107, 112, 114; 455/344, 351

(56) **References Cited**

U.S. PATENT DOCUMENTS

4,571,740 A * 2/1986 Kirby et al. 455/344
5,810,168 A * 9/1998 Eggering 455/344 X
D418,836 S * 1/2000 Matt et al. D14/196

6,014,011 A * 1/2000 DeFelice et al. 320/114
6,215,276 B1 * 4/2001 Smith 320/112 X
D444,451 S * 7/2001 Bailey D14/168 X
6,427,070 B1 * 7/2002 Smith 455/343
6,456,837 B1 * 9/2002 Domes 455/344

* cited by examiner

Primary Examiner—Joel Sincavage

(74) *Attorney, Agent, or Firm*—Andrew Y. Pang; Nexsen
Pruet Jacobs & Pollard, LLC

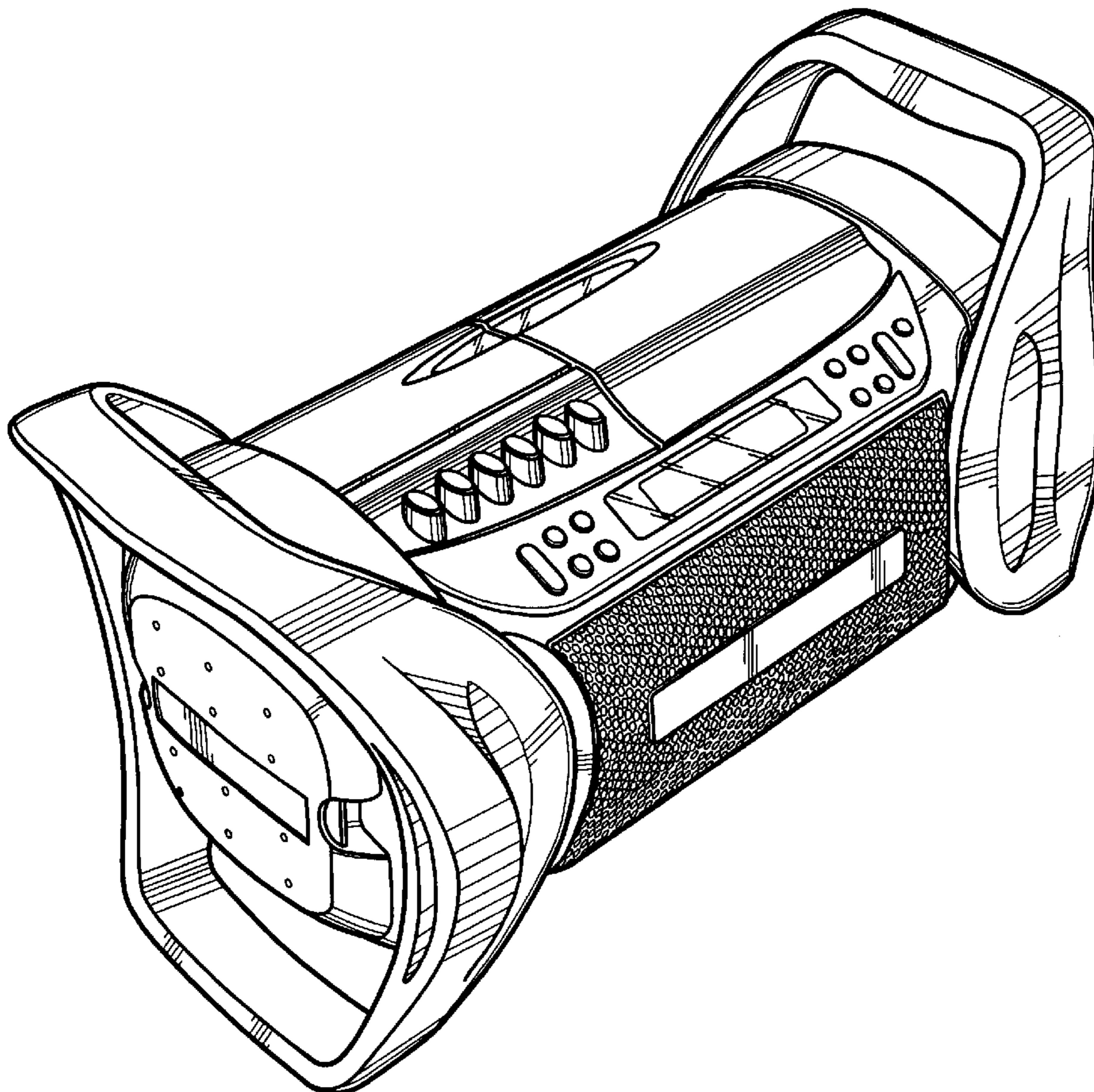
(57) **CLAIM**

The ornamental design for a radio/CD charger, as shown and described.

DESCRIPTION

FIG. 1 is a front perspective view of the radio/CD charger of the present invention;
FIG. 2 is a back perspective view;
FIG. 3 is a front view;
FIG. 4 is a rear view;
FIG. 5 is a top view;
FIG. 6 is a bottom view;
FIG. 7 is a left end view; and,
FIG. 8 is a right end view.

1 Claim, 5 Drawing Sheets



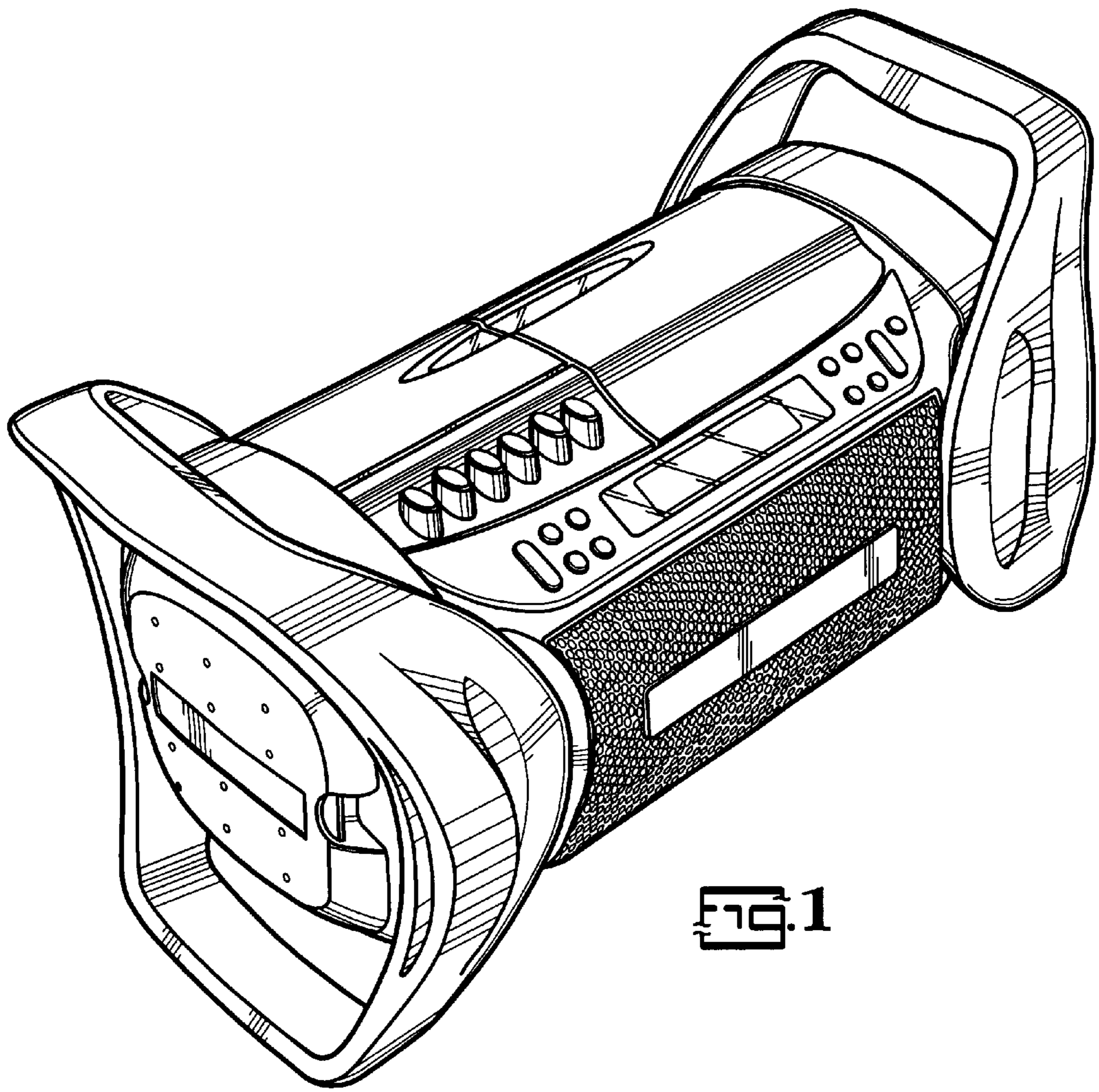
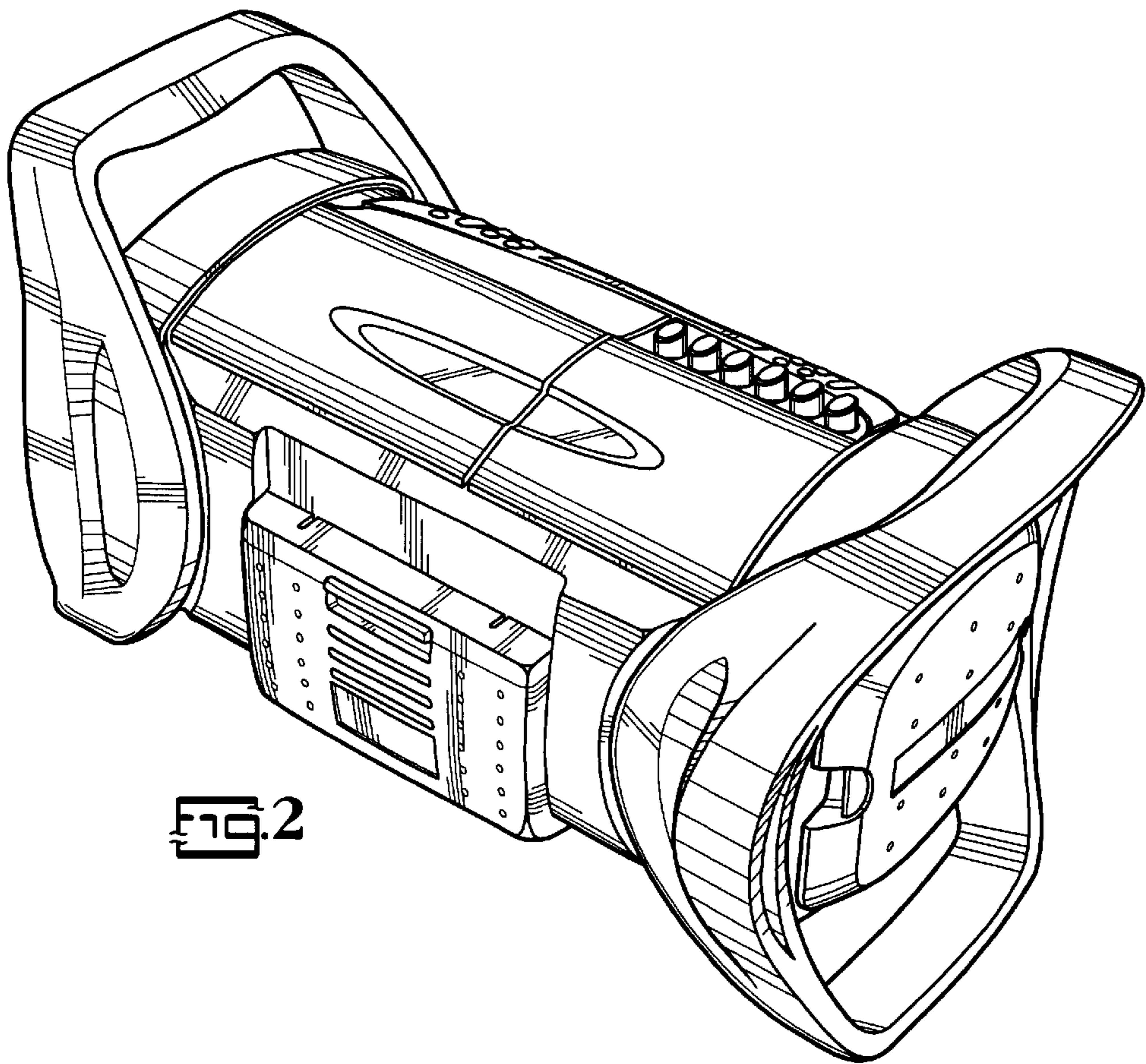


FIG. 1



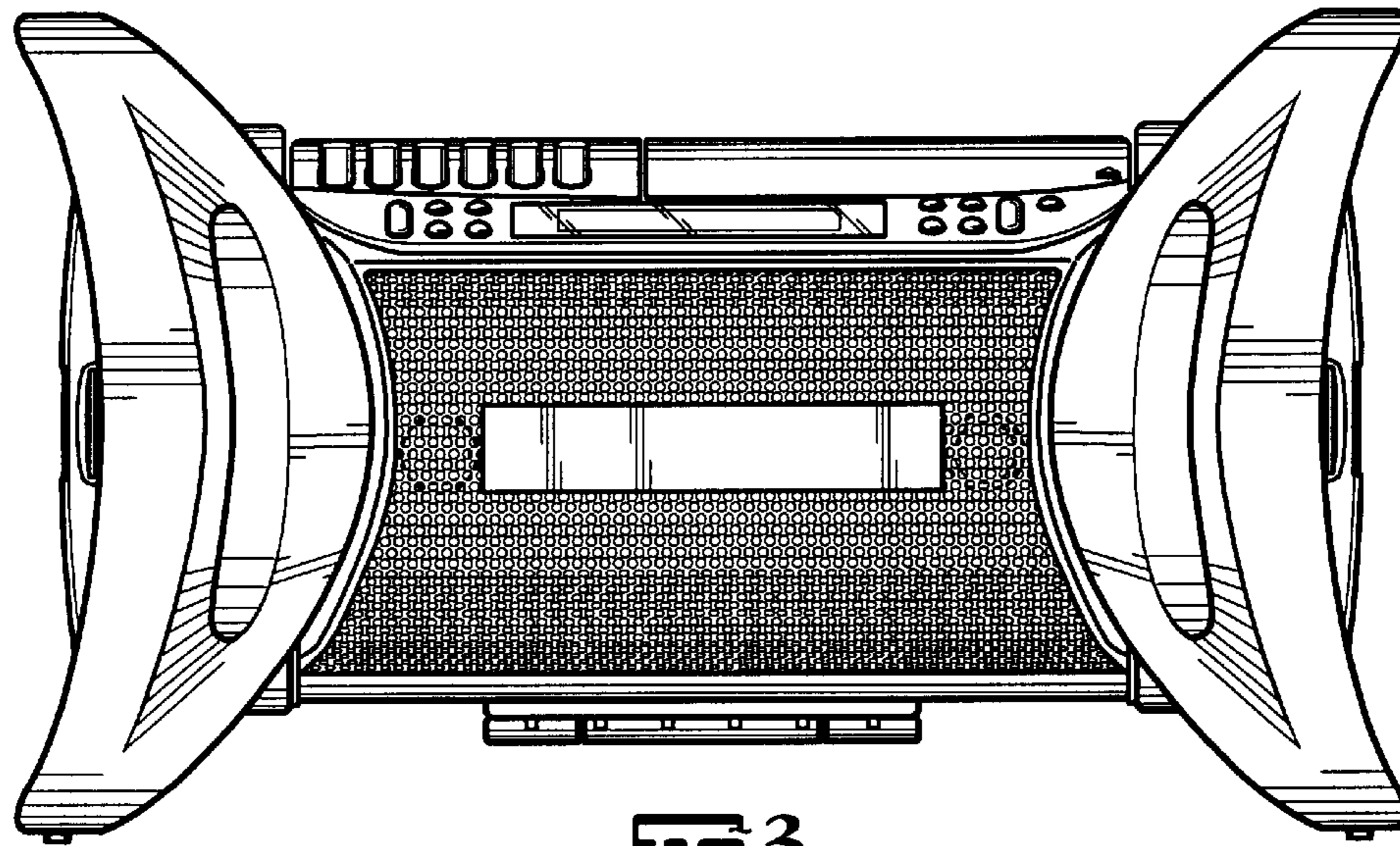


FIG. 3

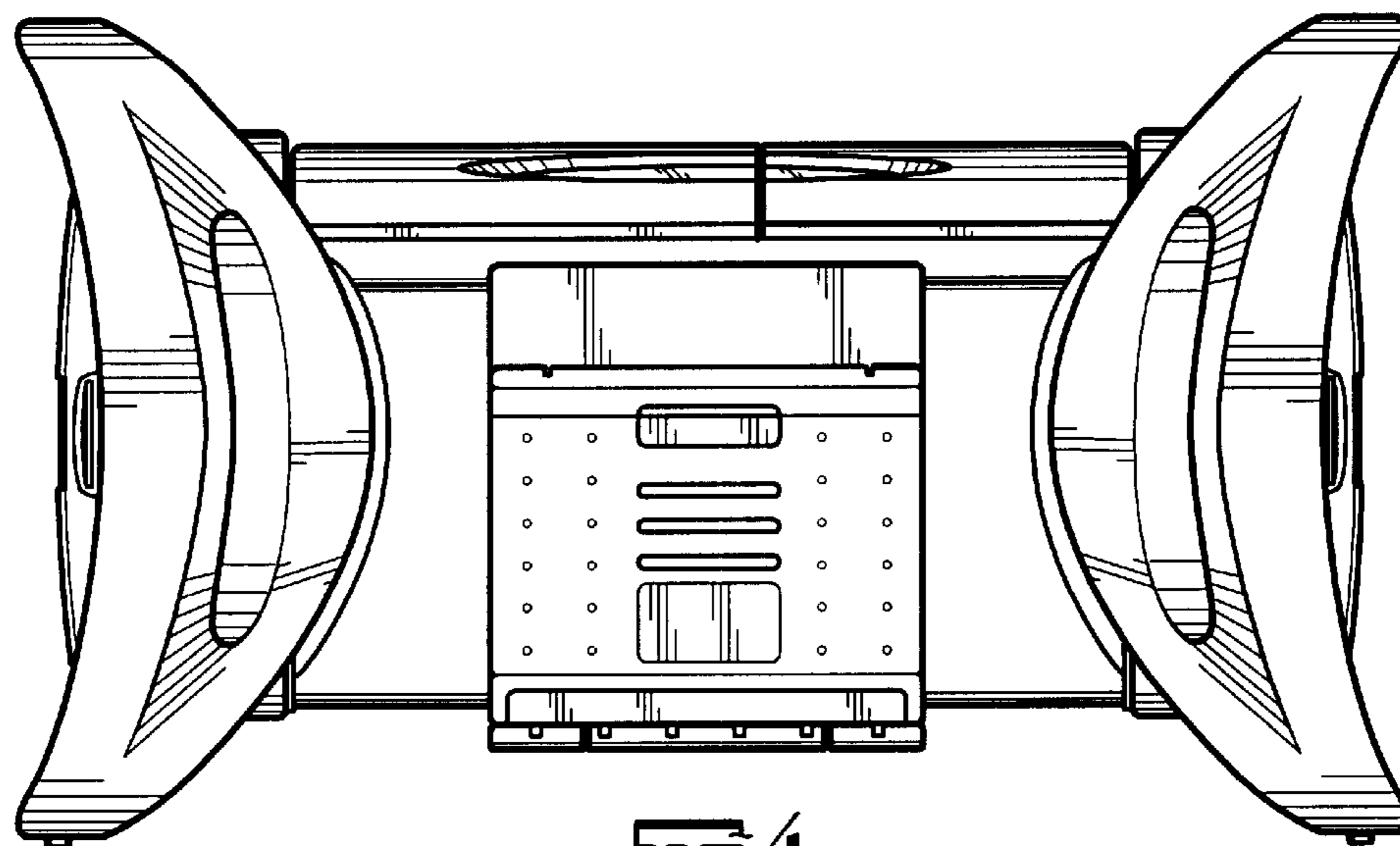


FIG. 4

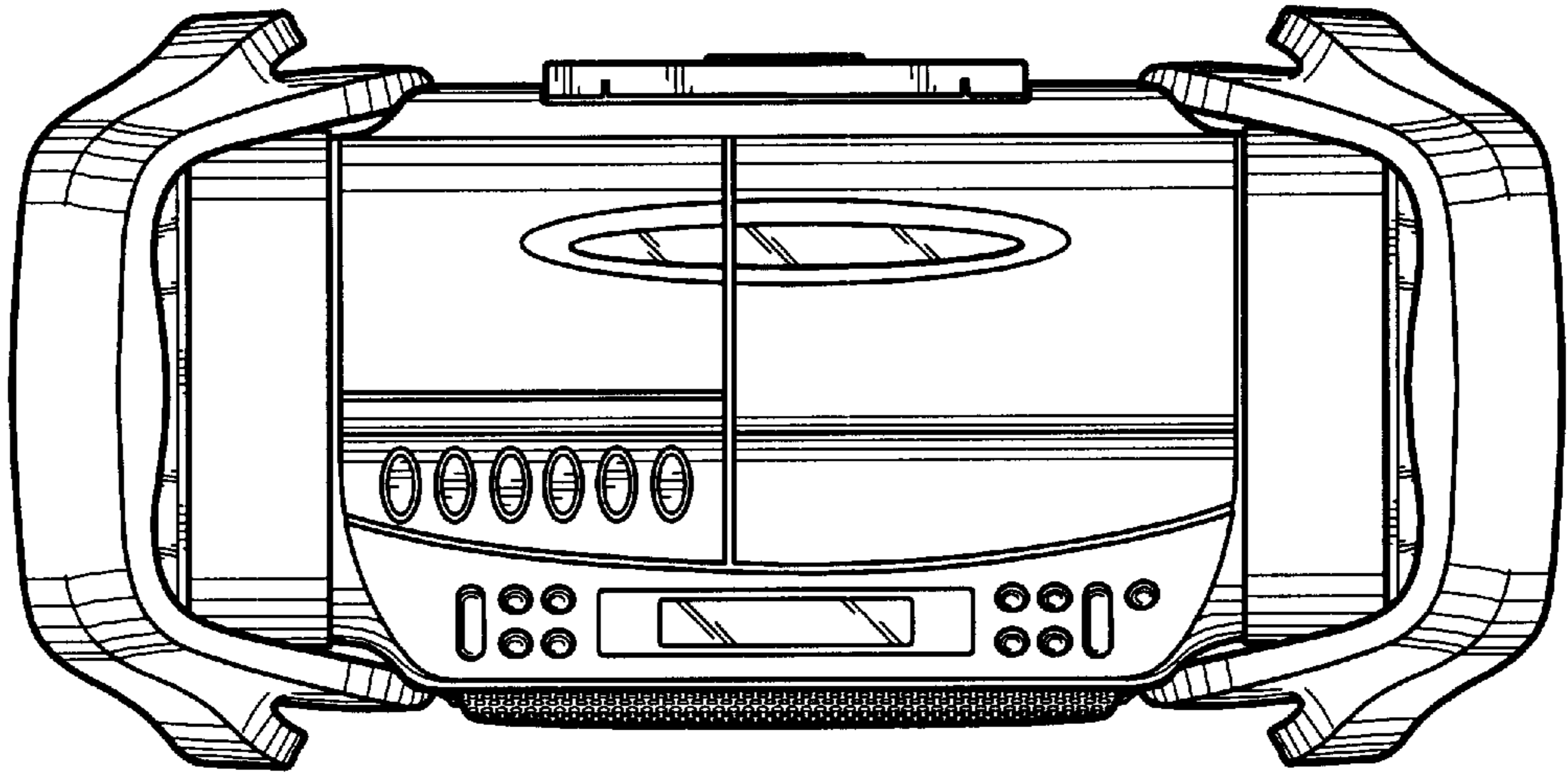


Fig. 5

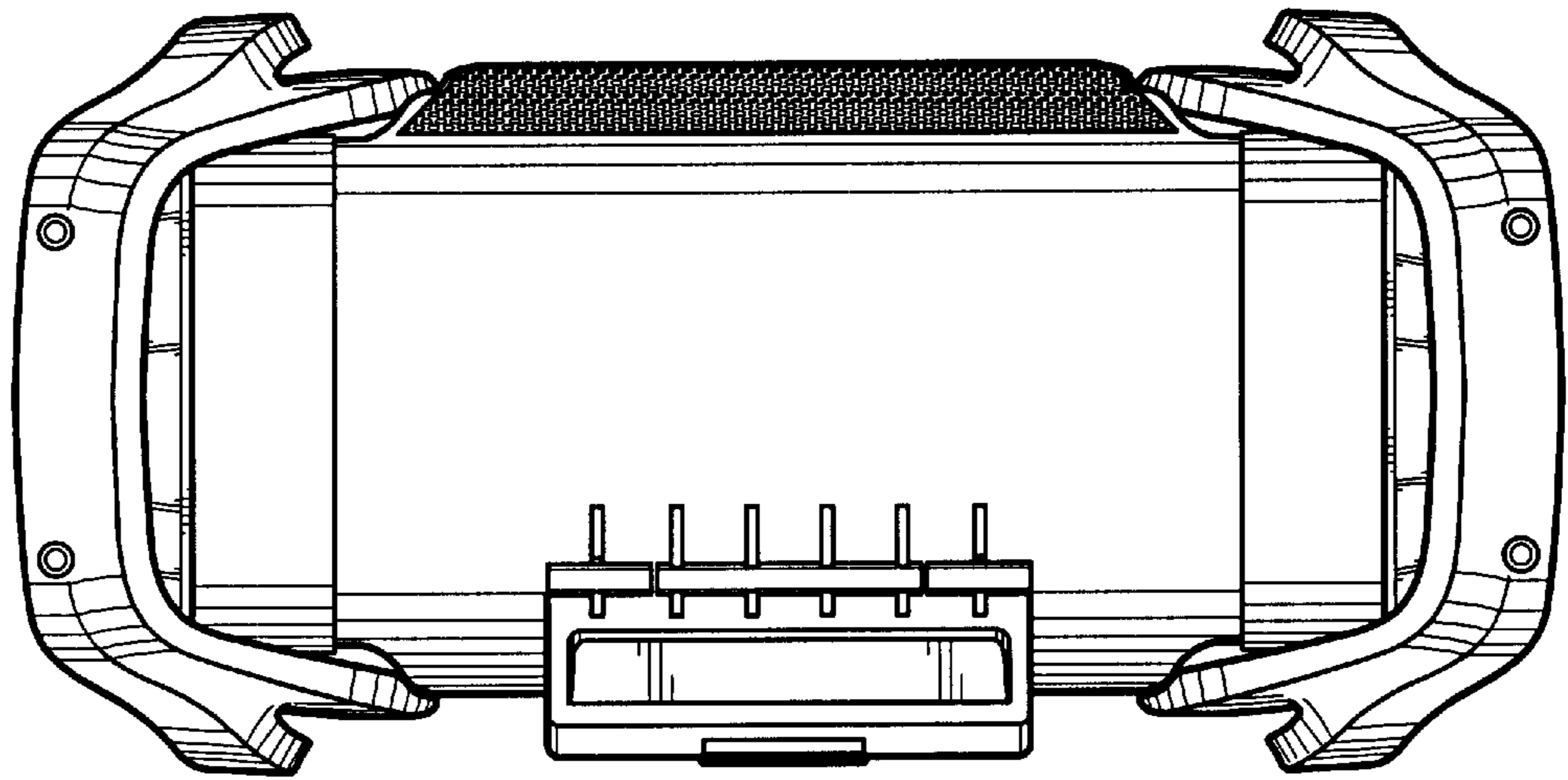


Fig. 6

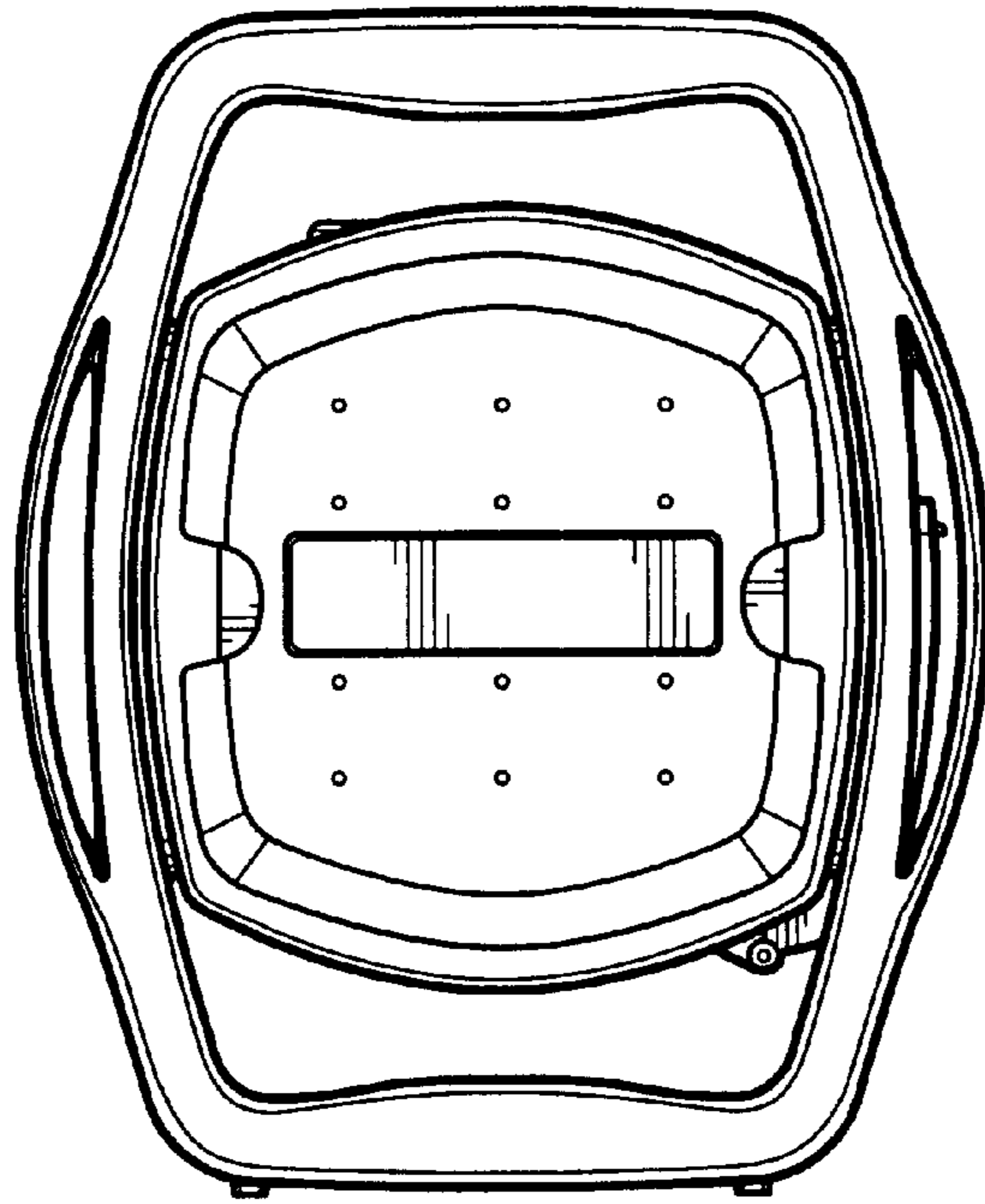


FIG. 7

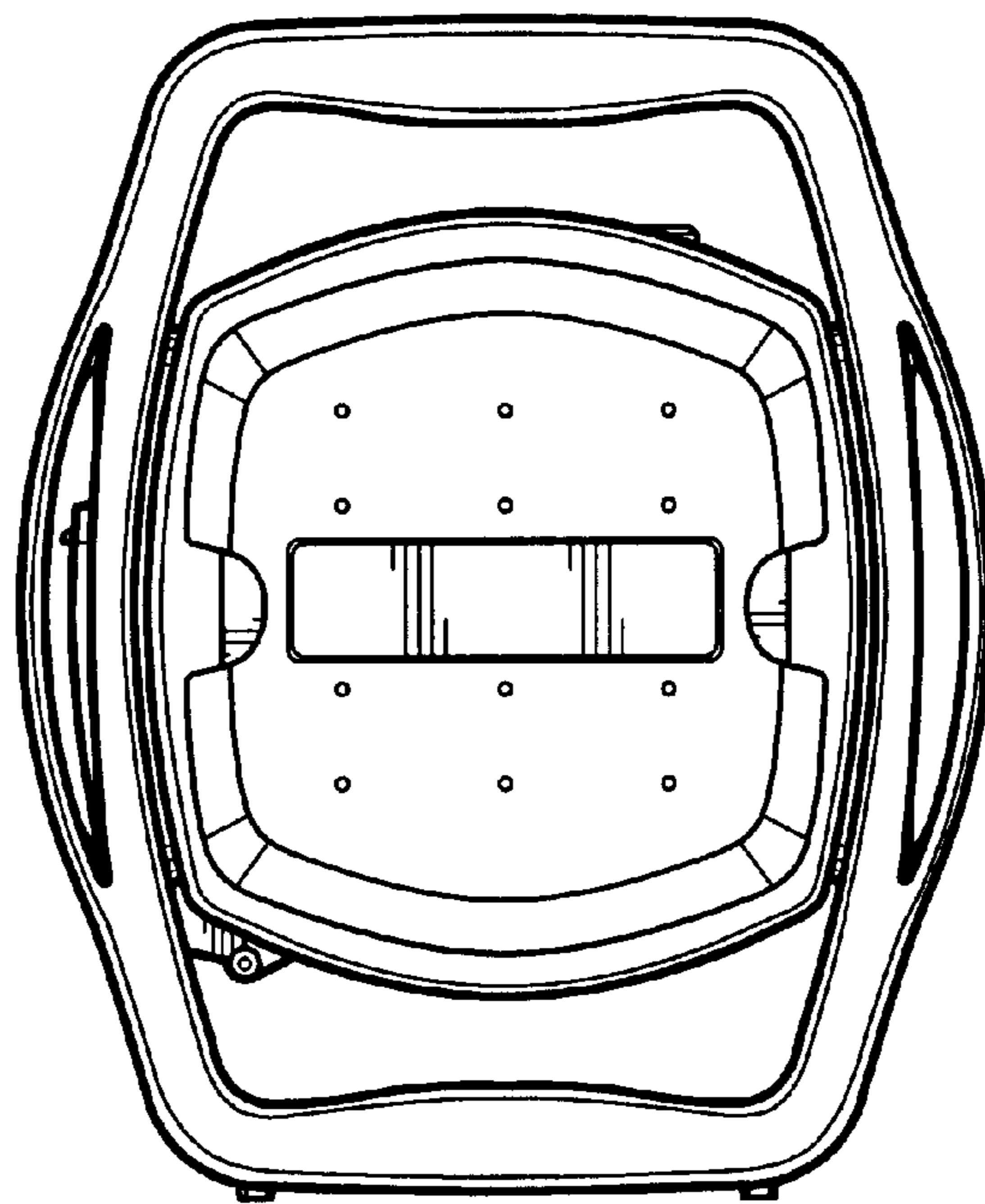


FIG. 8