



US00D475961S

(12) **United States Design Patent**  
**Pfeiffer et al.**

(10) **Patent No.:** **US D475,961 S**

(45) **Date of Patent:** **\*\* Jun. 17, 2003**

(54) **FRONT FACE OF A VEHICLE WHEEL**

(75) **Inventors:** **Peter Pfeiffer**, Boeblingen (DE); **Murat Guenak**, Ehningen (DE); **Hans-Dieter Futschik**, Gechingen (DE)

(73) **Assignee:** **DaimlerChrysler AG**, Stuttgart (DE)

(\*\*) **Term:** **14 Years**

(21) **Appl. No.:** **29/151,001**

(22) **Filed:** **Dec. 4, 2001**

(30) **Foreign Application Priority Data**

Jun. 18, 2001 (DE) ..... 4 01 05 356

(51) **LOC (7) Cl.** ..... **12-16**

(52) **U.S. Cl.** ..... **D12/211**

(58) **Field of Search** ..... D12/204-211;  
301/37.101, 64.101, 65

(56) **References Cited**

**U.S. PATENT DOCUMENTS**

- D208,542 S \* 9/1967 Halibrand ..... D12/211
- D420,967 S \* 2/2000 Sacco et al. .... D12/209
- D448,712 S \* 10/2001 Laengerer ..... D12/209
- D451,066 S \* 11/2001 Pfeiffer et al. .... D12/211

- D459,691 S \* 7/2002 Takechi ..... D12/211
- D461,155 S \* 8/2002 Takechi ..... D12/209
- D466,466 S \* 12/2002 Laengerer ..... D12/211
- D466,852 S \* 12/2002 Pfeiffer et al. .... D12/211
- D471,852 \* 3/2003 Pfeiffer et al. .... D12/211

\* cited by examiner

*Primary Examiner*—Stacia Cadmus

(74) *Attorney, Agent, or Firm*—Crowell & Moring LLP

(57) **CLAIM**

The ornamental design for a front face of a vehicle wheel, as shown and described.

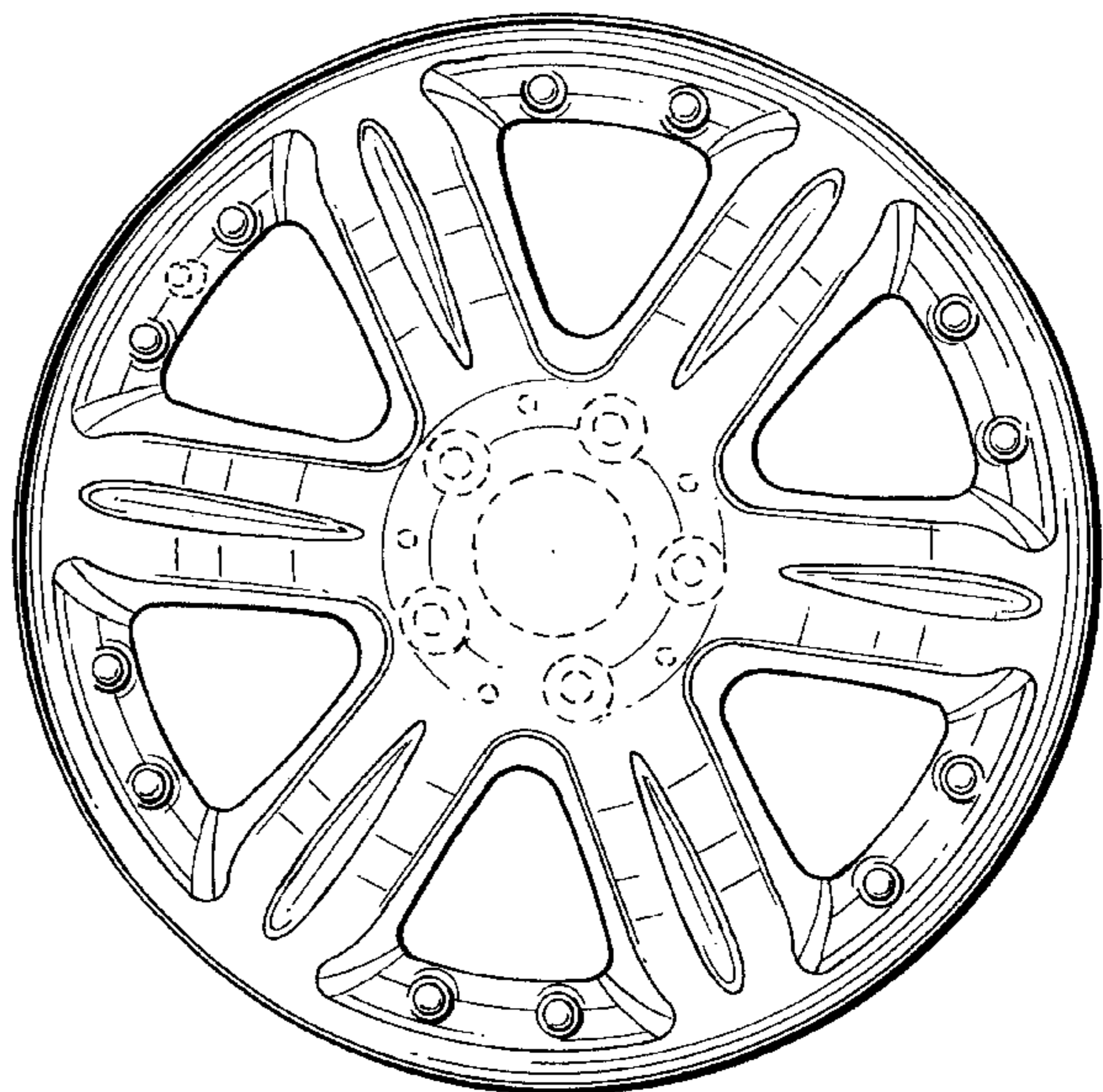
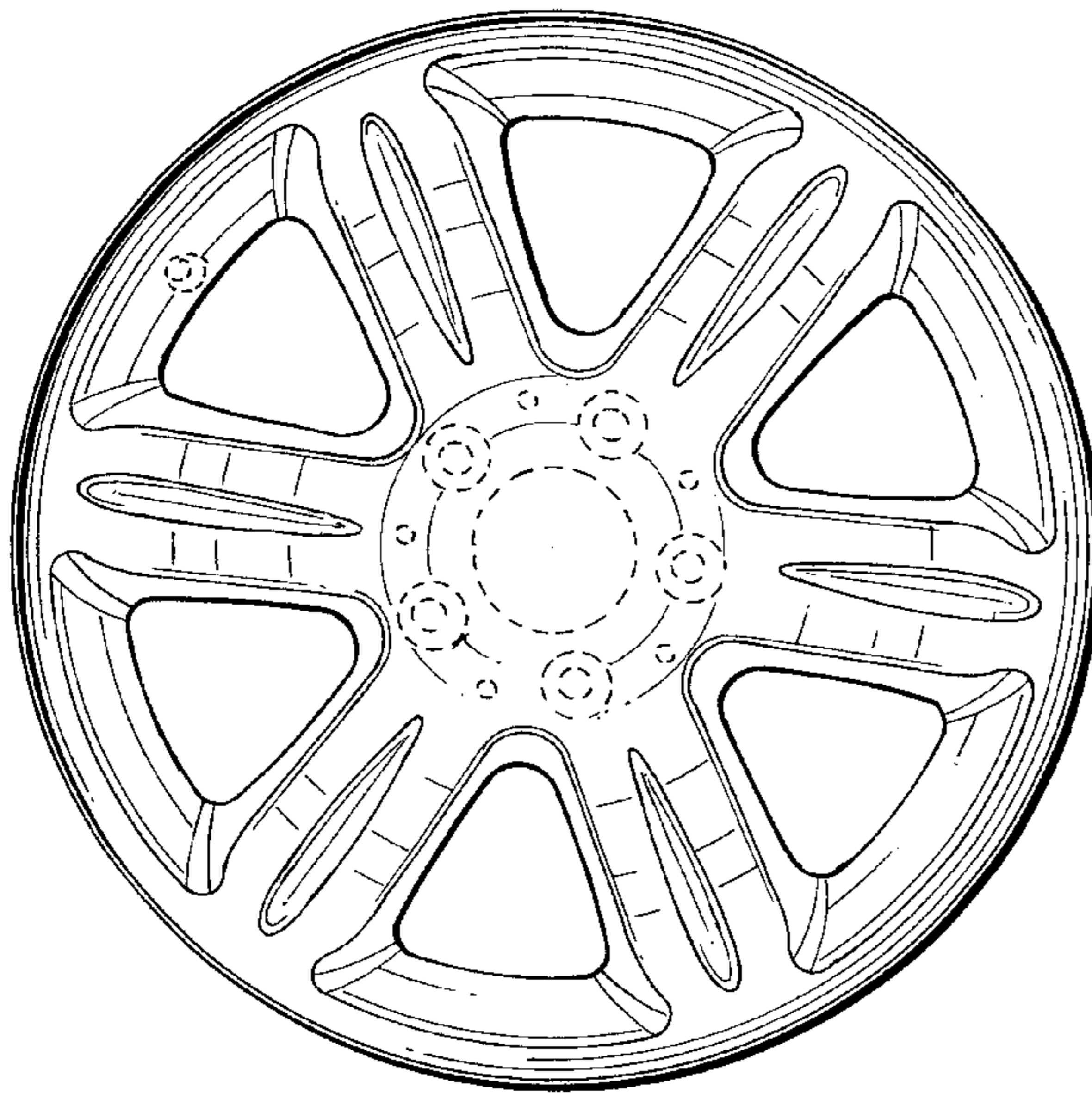
**DESCRIPTION**

FIG. 1 is a front view of a first embodiment of a front face of a vehicle wheel according to our novel design;

FIG. 2 is a perspective view of the first embodiment of the front face of a vehicle wheel according to our novel design; FIG. 3 is a front view of a second embodiment of the front face of a vehicle wheel according to our novel design; and, FIG. 4 is a perspective view of the second embodiment of the front face of a vehicle wheel according to our novel design.

The dash lines included depict environment and are not part of the claimed design.

**1 Claim, 2 Drawing Sheets**



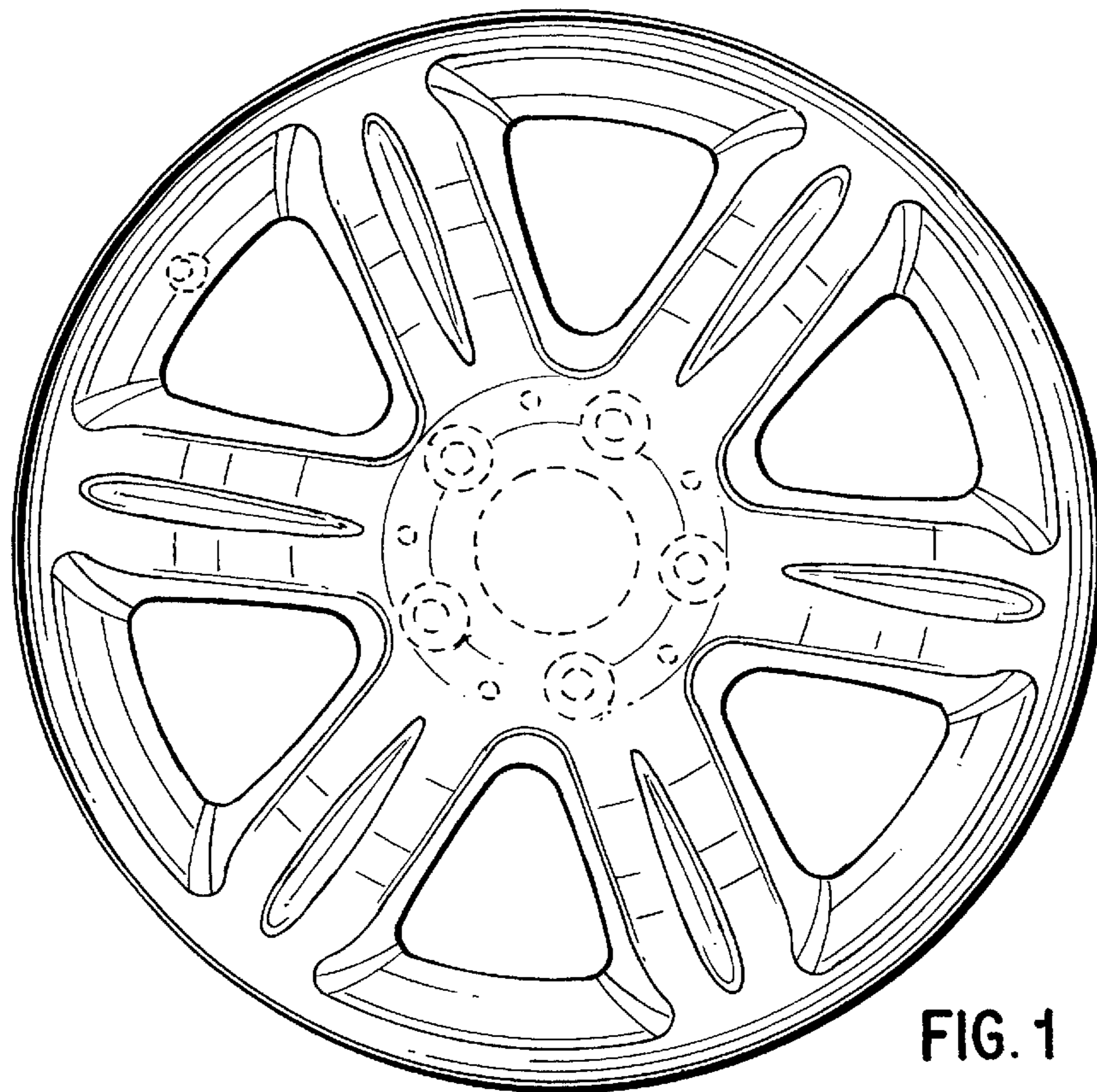


FIG. 1

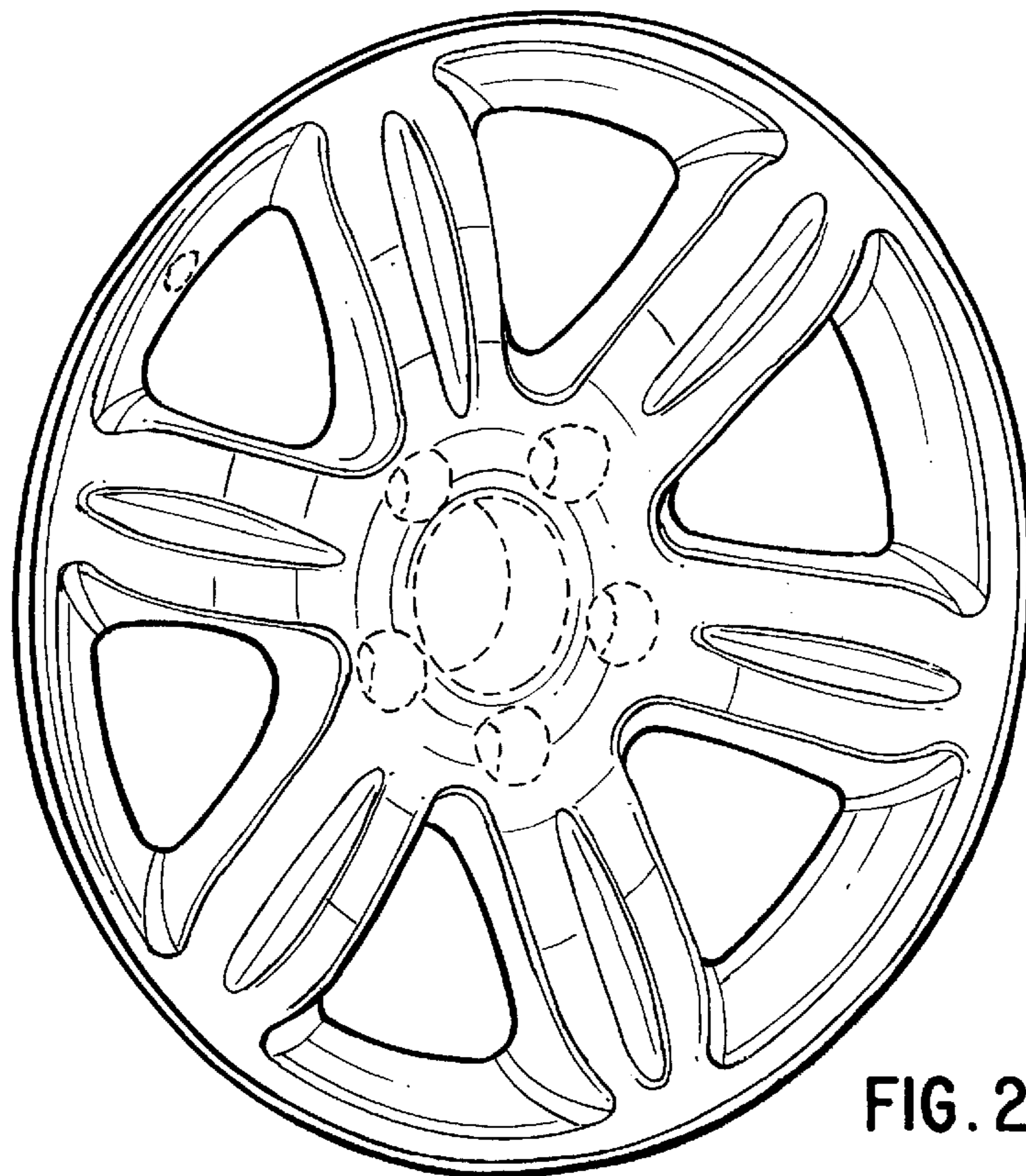


FIG. 2

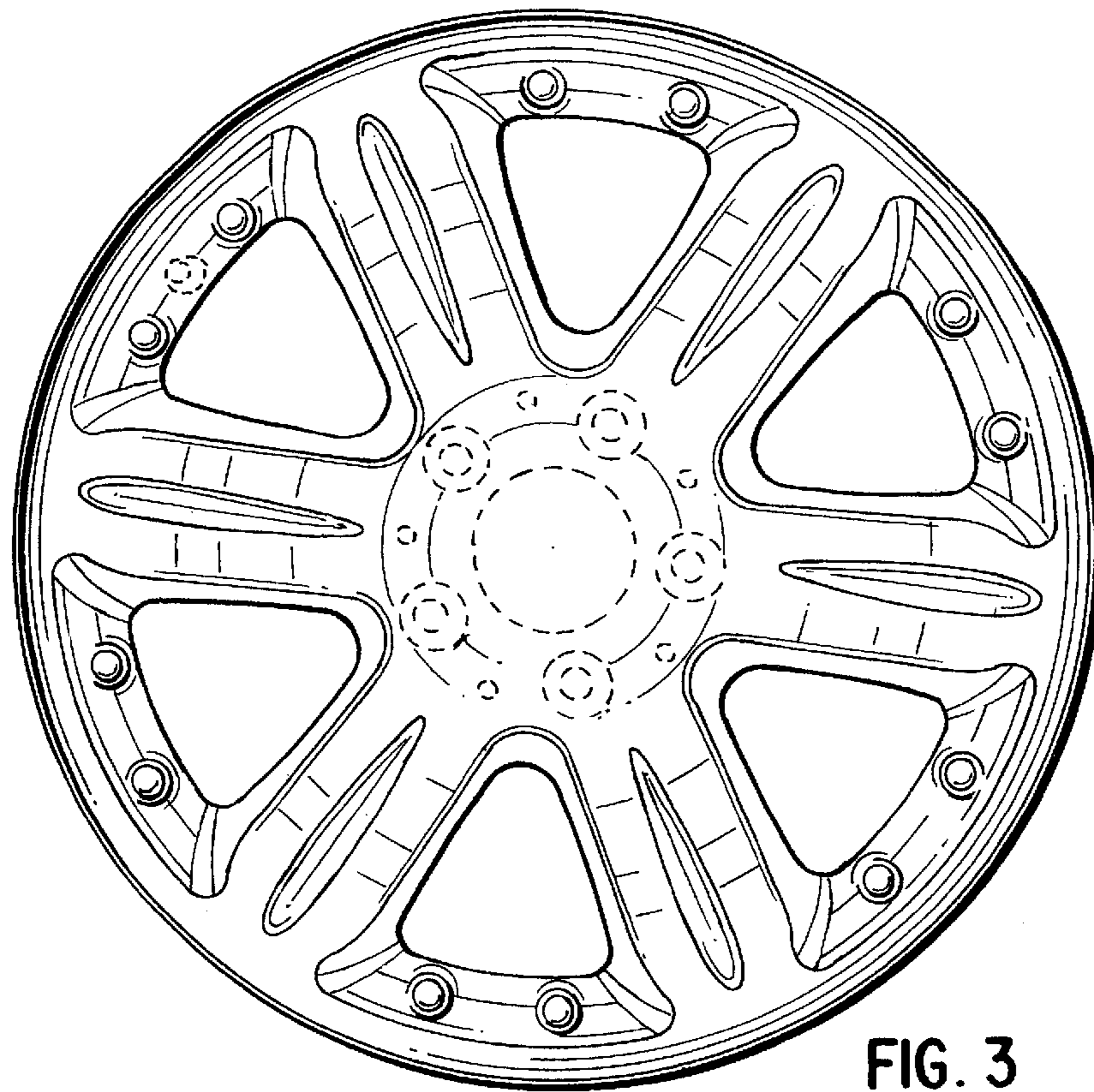


FIG. 3

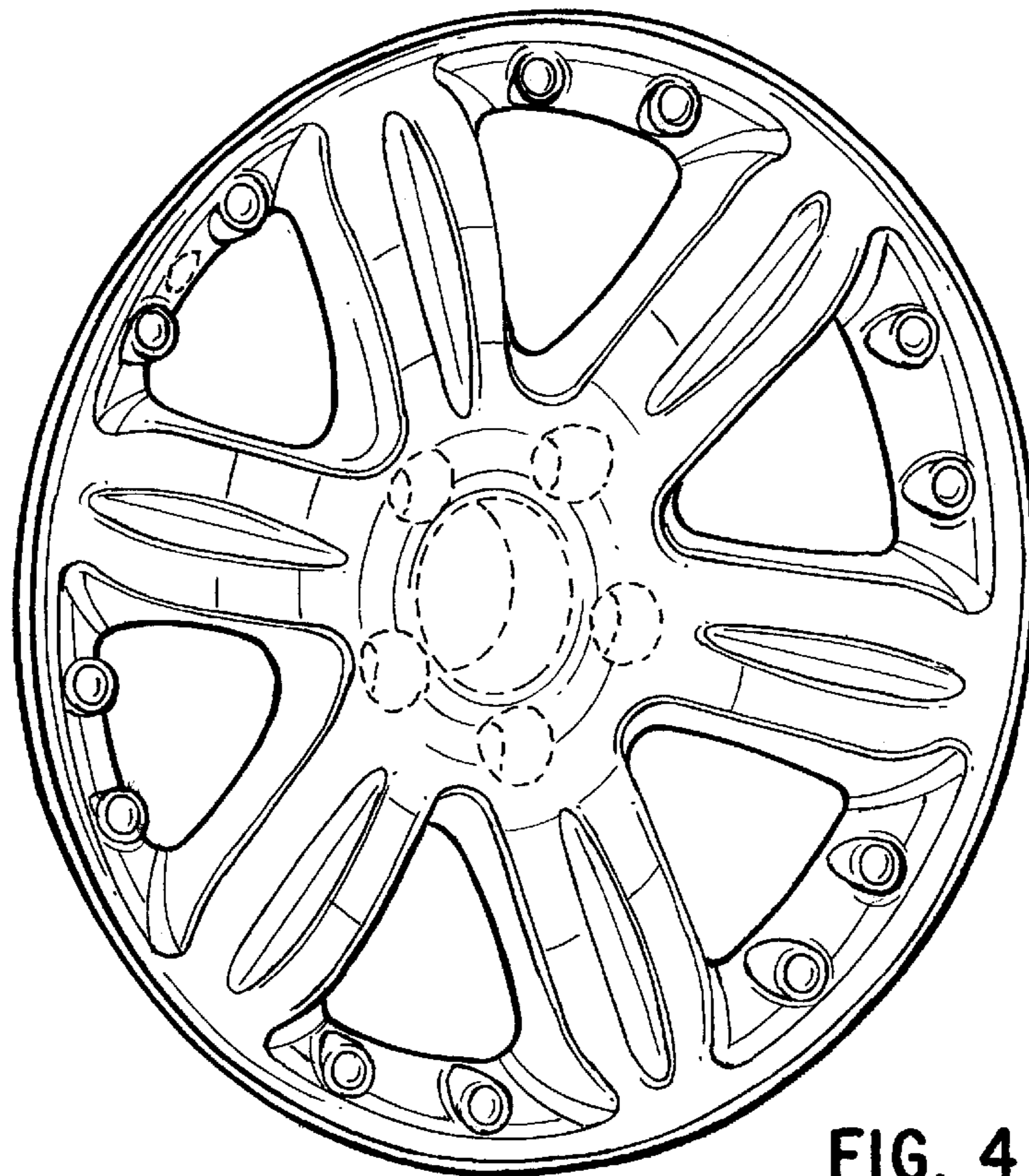


FIG. 4