



US00D475957S

(12) **United States Design Patent**
Machinek

(10) **Patent No.:** **US D475,957 S**

(45) **Date of Patent:** **** Jun. 17, 2003**

(54) **SURFACE CONFIGURATION OF AN INSTRUMENT DISPLAY FOR A VEHICLE**

D467,845 S * 12/2002 Pfeiffer et al. D12/192
D471,141 * 3/2003 Hofmann et al. D12/192

(75) Inventor: **Christoph Machinek**, Stuttgart (DE)

* cited by examiner

(73) Assignee: **Smart GmbH**, Boeblingen (DE)

Primary Examiner—Stacia Cadmus

(**) Term: **14 Years**

(74) *Attorney, Agent, or Firm*—Crowell & Moring LLP

(21) Appl. No.: **29/175,002**

(22) Filed: **Jan. 29, 2003**

(30) **Foreign Application Priority Data**

Aug. 30, 2002 (DE) 402 07 222

(51) **LOC (7) Cl.** **12-16**

(52) **U.S. Cl.** **D12/192**

(58) **Field of Search** D12/192, 114;
D10/98, 123-126; 180/90; 296/70, 190-191;
280/752, DIG. 5

(56) **References Cited**

U.S. PATENT DOCUMENTS

D195,783 S	*	7/1963	Woods	D12/192
D198,279 S	*	5/1964	Karbo	D12/192
D381,613 S	*	7/1997	Ma	D12/192
D381,614 S	*	7/1997	Ma	D12/192
D413,294 S	*	8/1999	Lagaay	D12/192
D436,565 S	*	1/2001	Tsay et al.	D12/192
D440,925 S	*	4/2001	Pfeiffer	D12/192
D461,437 S	*	8/2002	Hofmann et al.	D12/192
D467,844 S	*	12/2002	Preston	D12/192

(57) **CLAIM**

The ornamental design for a surface configuration of an instrument display for a vehicle, as shown and described.

DESCRIPTION

FIG. 1 is a right perspective view of a surface configuration of an instrument display for a vehicle according to my novel design;

FIG. 2 is a left perspective view of the surface configuration of an instrument display for a vehicle according to my novel design;

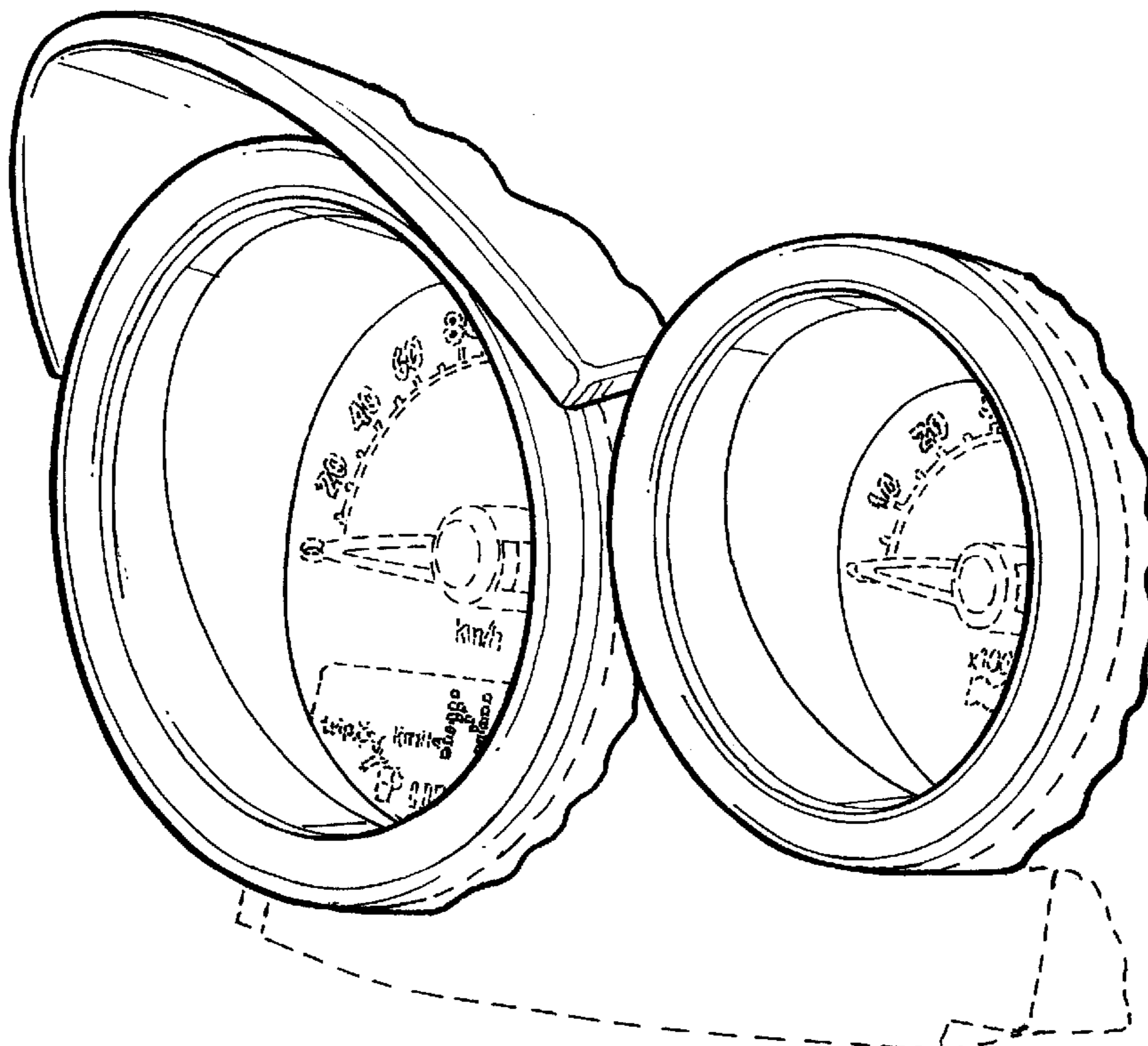
FIG. 3 is a front view of the surface configuration of an instrument display for a vehicle according to my novel design;

FIG. 4 is a right side view of the surface configuration of an instrument display for a vehicle according to my novel design; and,

FIG. 5 is a left side view of the surface configuration of an instrument display for a vehicle according to my novel design.

The dash lines included depict environment and are not part of the claimed design.

1 Claim, 3 Drawing Sheets



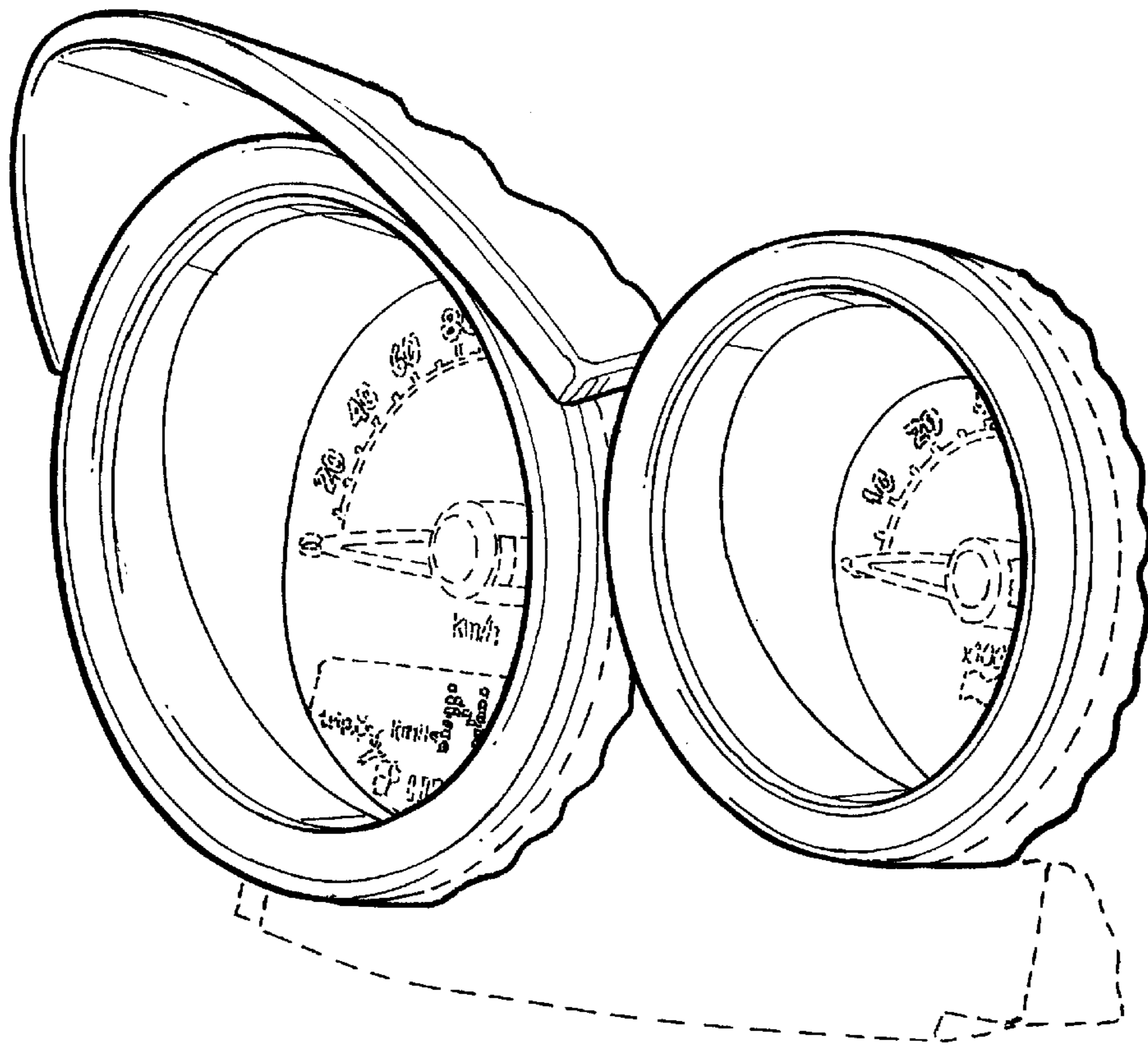


FIG. 1

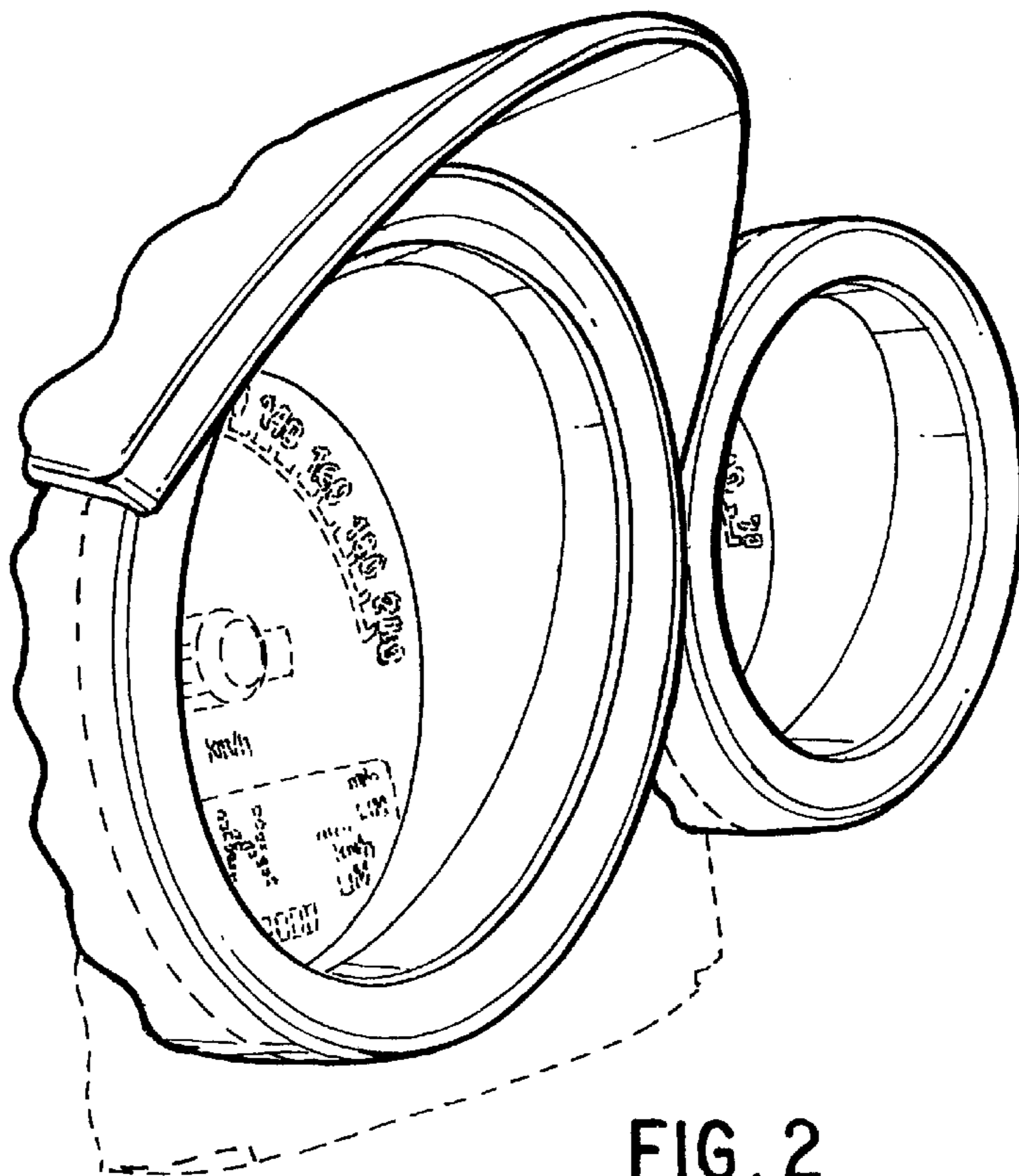


FIG. 2

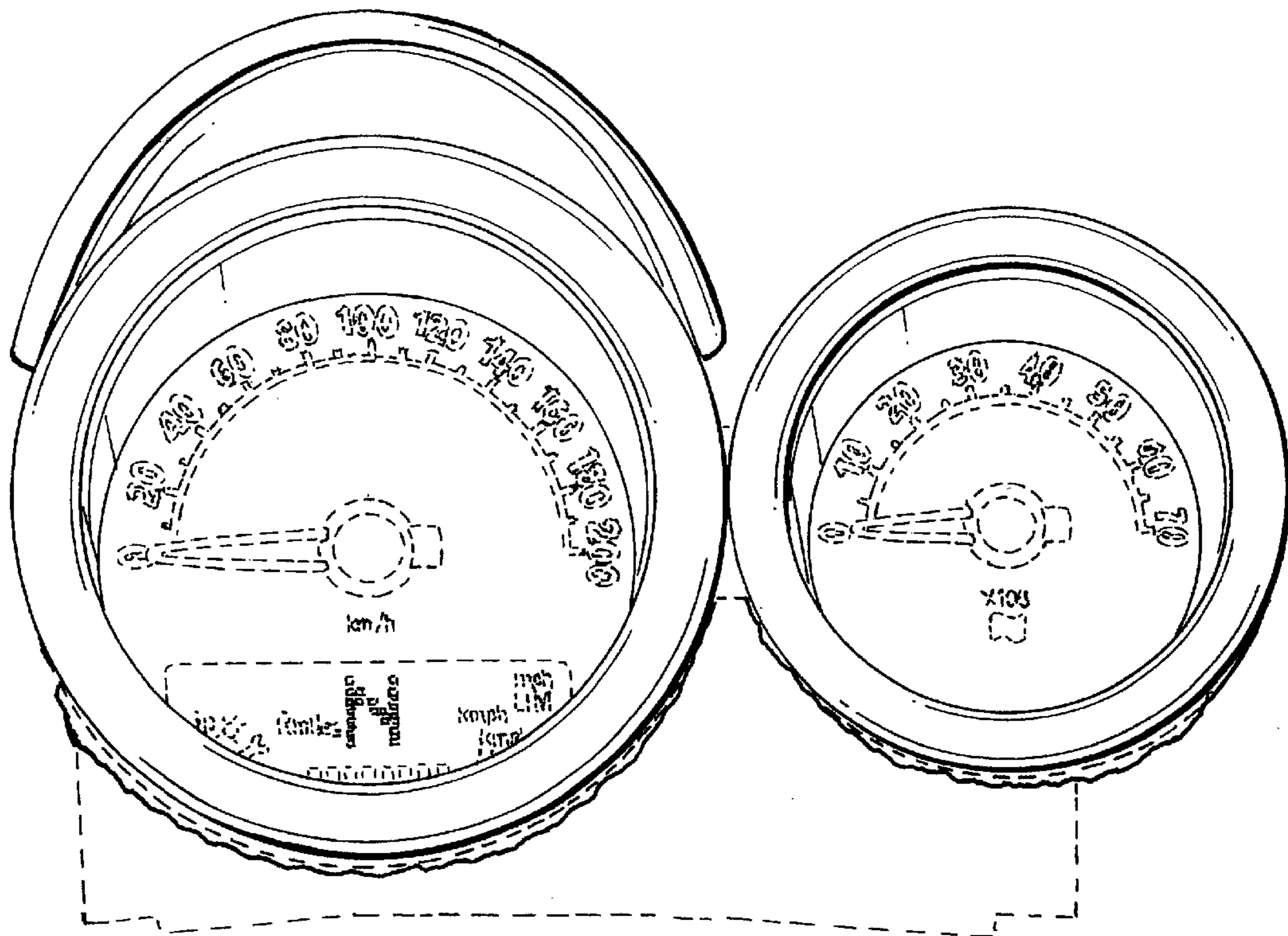


FIG. 3

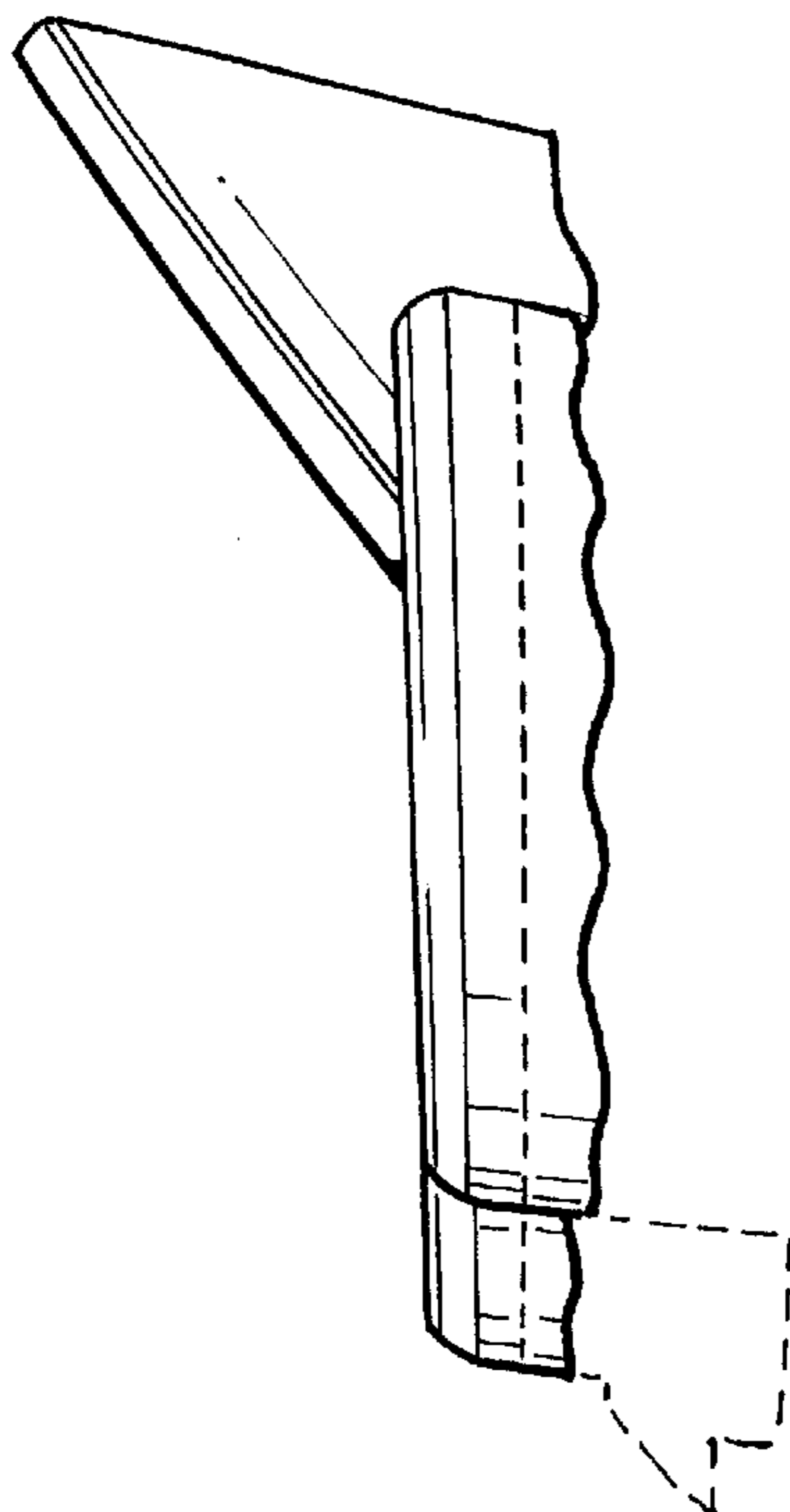


FIG. 4

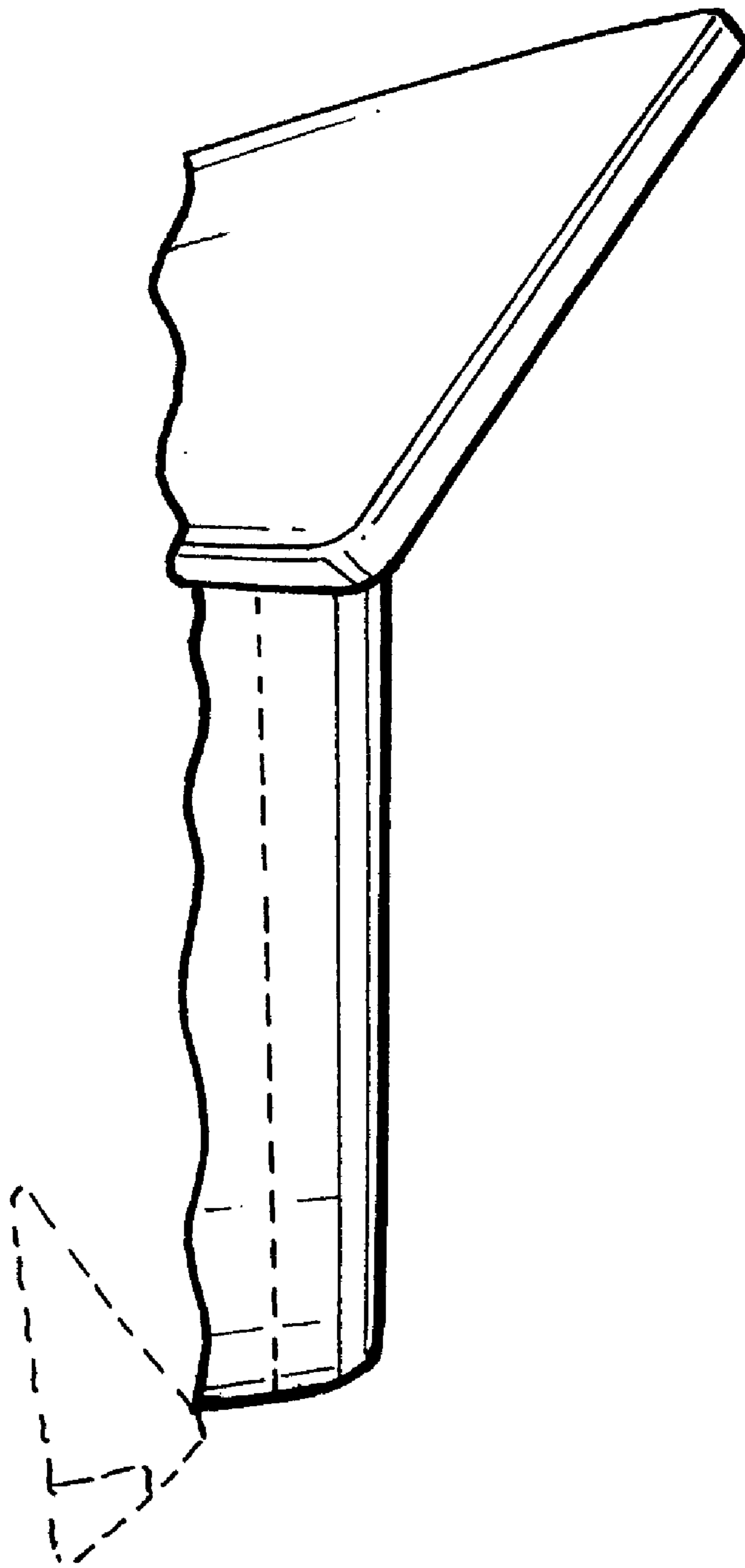


FIG. 5