



US00D475956S

(12) **United States Design Patent**
Juraschek et al.

(10) **Patent No.:** **US D475,956 S**

(45) **Date of Patent:** **** Jun. 17, 2003**

(54) **SURFACE CONFIGURATION OF AN INSTRUMENT DISPLAY FOR A VEHICLE**

(75) Inventors: **Romuald Juraschek**, Althengstett (DE); **Ulrich Sauter**, Tiefenbronn (DE)

(73) Assignee: **Dr. Ing. h.c.F. Porsche Aktiengesellschaft**, Stuttgart (DE)

(**) Term: **14 Years**

(21) Appl. No.: **29/151,798**

(22) Filed: **Dec. 12, 2001**

(30) **Foreign Application Priority Data**

Jun. 12, 2001 (DE) 4 01 05 153

(51) **LOC (7) Cl.** **12-16**

(52) **U.S. Cl.** **D12/192**

(58) **Field of Search** D12/192, 114; D10/98, 123-126, 102; 280/752, DIG. 5; 296/70; 180/90

(56) **References Cited**

U.S. PATENT DOCUMENTS

- D54,138 S * 11/1919 Smith D12/192
- D54,139 S * 11/1919 Smith D12/192
- D195,783 S * 7/1963 Woods, Jr. D12/192

- D375,477 S * 11/1996 Kulla et al. D12/192
- D413,294 S * 8/1999 Lagaay D12/192
- D413,295 S * 8/1999 Sauter D12/192
- D433,362 S * 11/2000 Wyszgrod et al. D12/192
- D436,565 S * 1/2001 Tsay et al. D12/192
- D467,845 S * 12/2002 Pfeiffer et al. D12/192

* cited by examiner

Primary Examiner—Stacia Cadmus

(74) *Attorney, Agent, or Firm*—Crowell & Moring LLP

(57) **CLAIM**

The ornamental design for a surface configuration of an instrument display for a vehicle, as shown and described.

DESCRIPTION

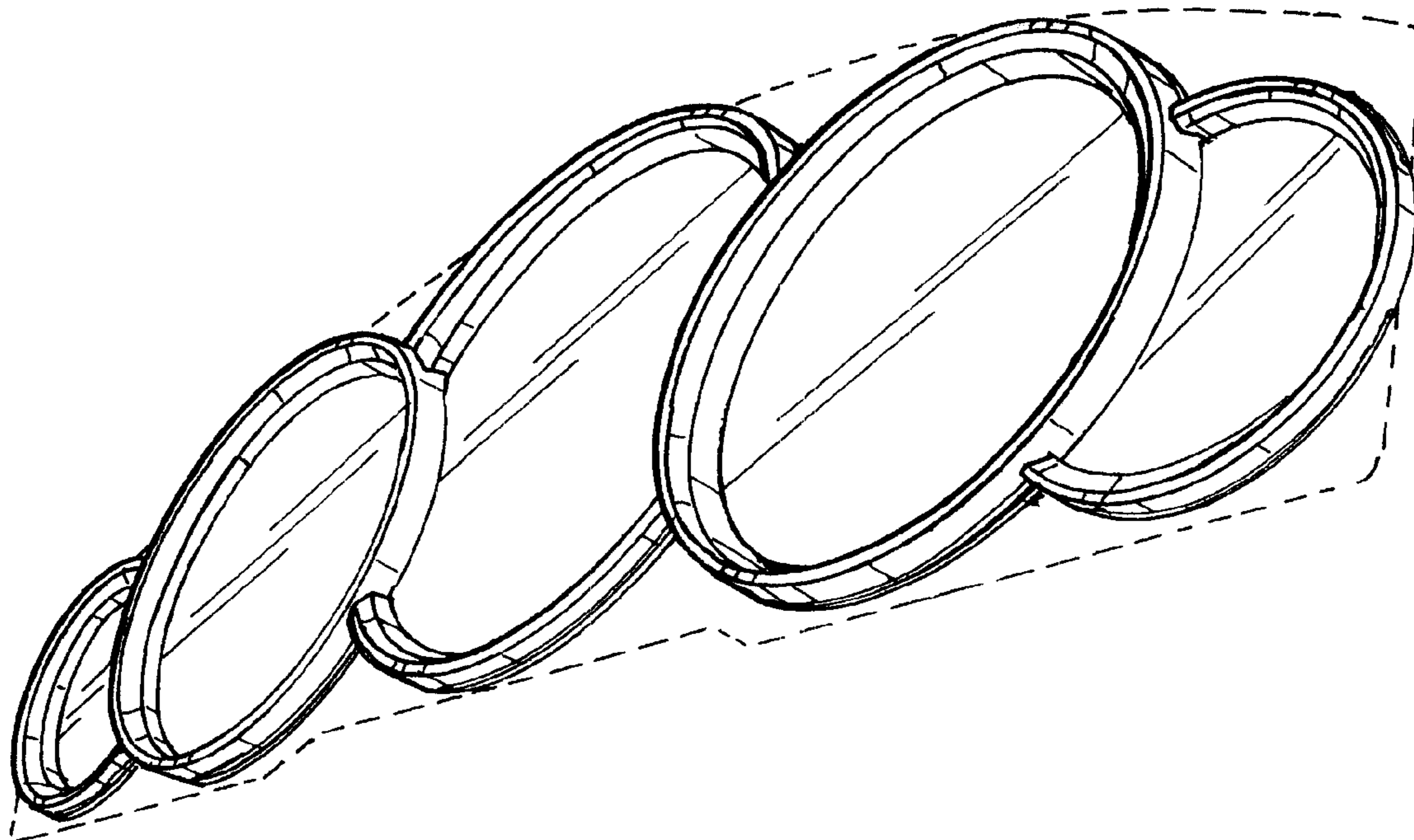
FIG. 1 is a front view of a surface configuration of an instrument display for a vehicle according to our novel design;

FIG. 2 is a right perspective view of the surface configuration of an instrument display for a vehicle according to our novel design; and,

FIG. 3 is a left perspective view of the surface configuration of an instrument display for a vehicle according to our novel design.

The dash lines included in the drawings depict environment and are not part of the claimed design.

1 Claim, 1 Drawing Sheet



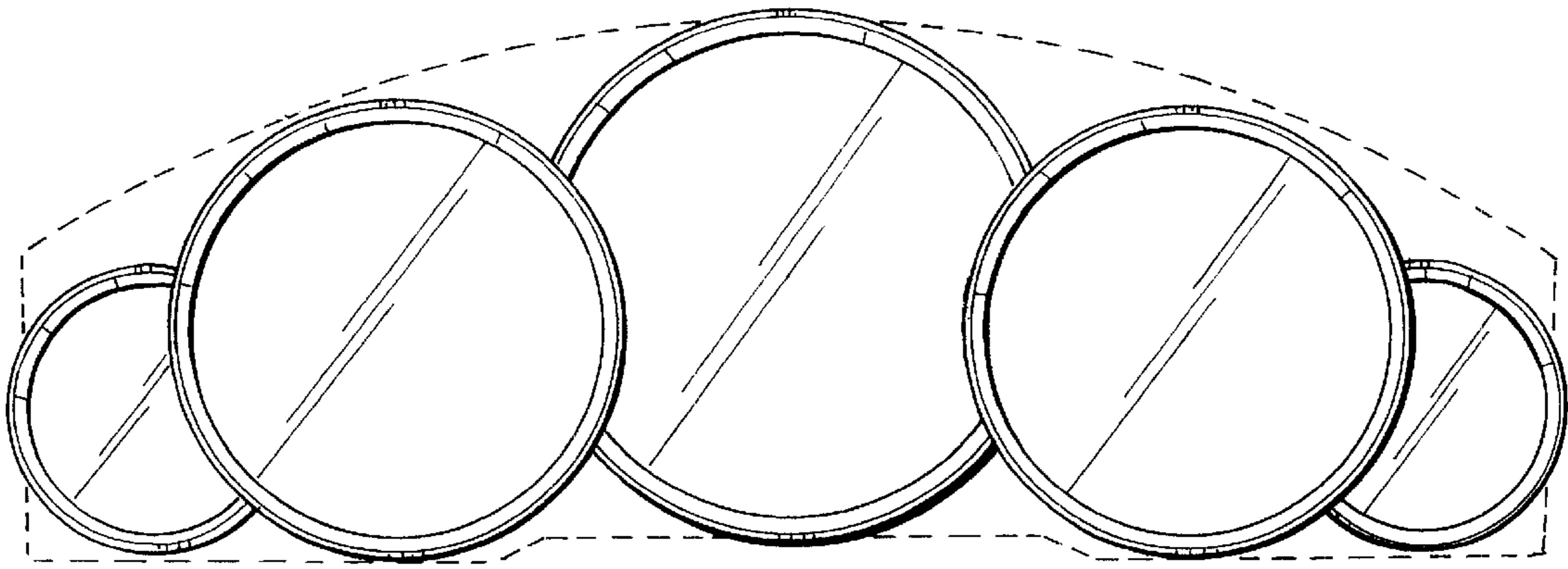


FIG. 1

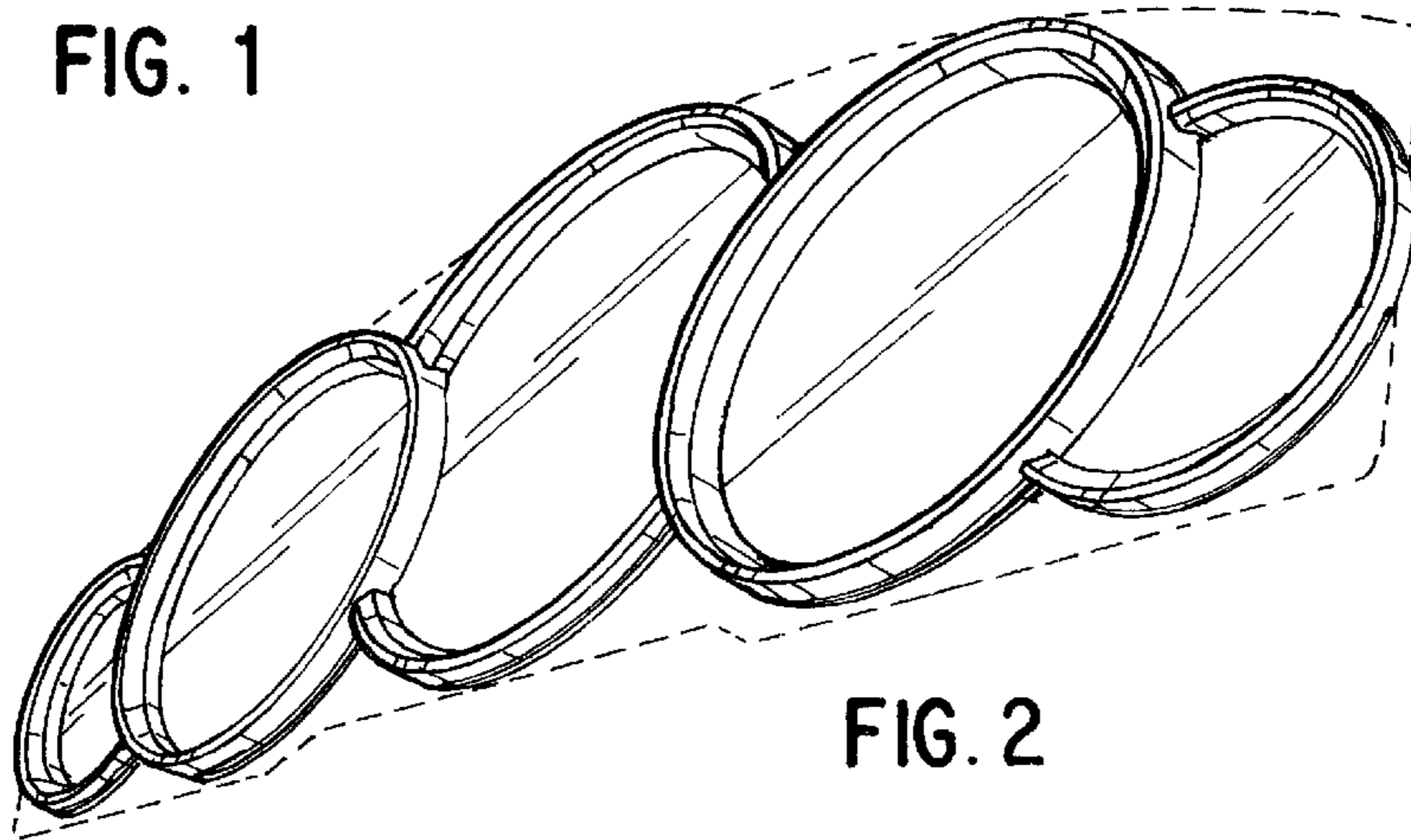


FIG. 2

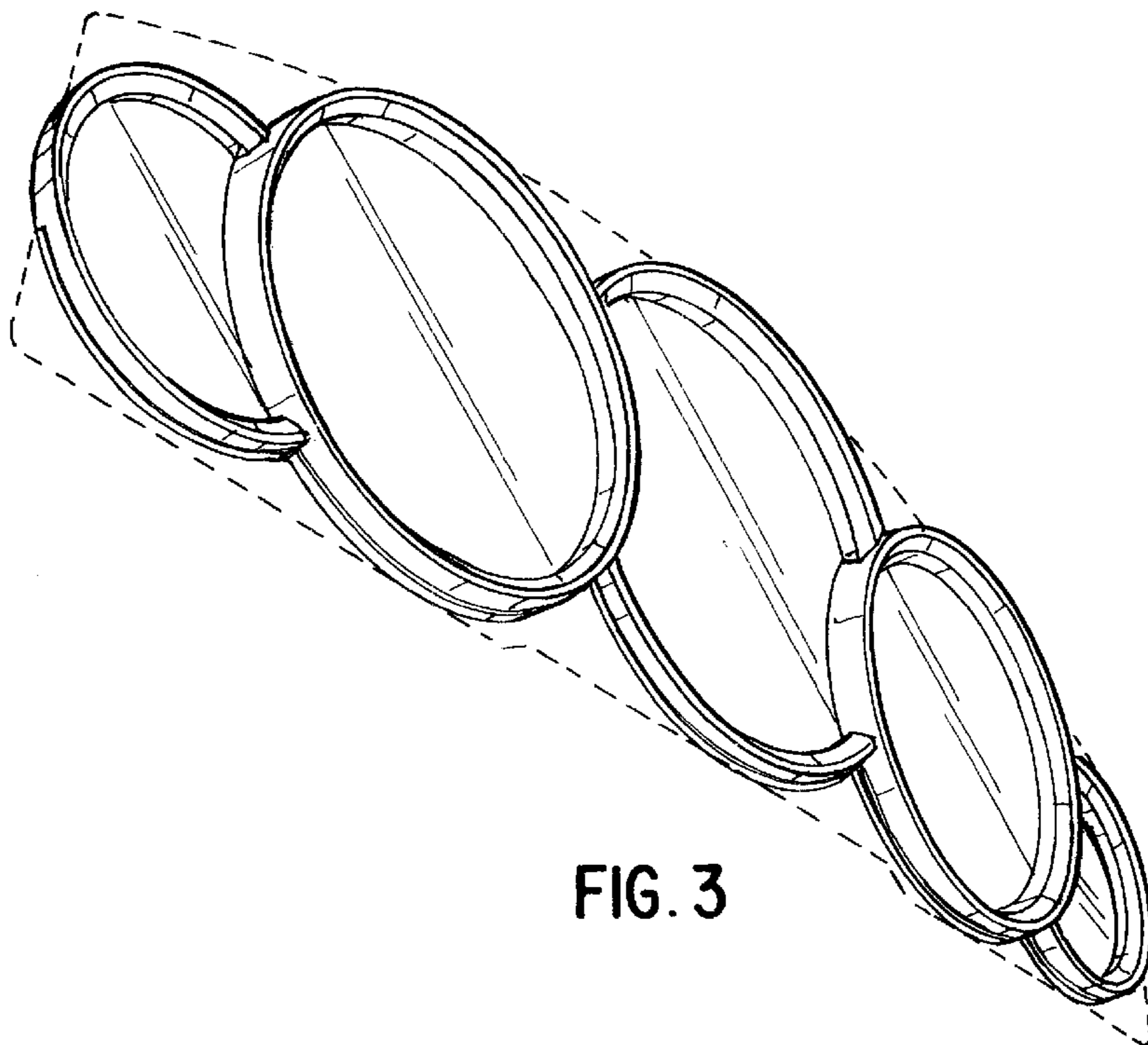


FIG. 3