



US00D475954S

(12) **United States Design Patent**
Brabant, Sr.

(10) **Patent No.:** **US D475,954 S**

(45) **Date of Patent:** **** Jun. 17, 2003**

(54) **SAFETY COVER FOR TRAILER BALL HITCH**

(76) **Inventor:** **Randy L. Brabant, Sr.**, 2842 Range Line Rd., Deckerville, MI (US) 48427

(**) **Term:** **14 Years**

(21) **Appl. No.:** **29/171,993**

(22) **Filed:** **Dec. 5, 2002**

(51) **LOC (7) Cl.** **12-16**

(52) **U.S. Cl.** **D12/162**

(58) **Field of Search** D12/162, 400; 280/504-507, 511, 495; 293/117; 150/166

(56) **References Cited**

U.S. PATENT DOCUMENTS

D190,636 S	*	6/1961	Schlosser	D12/162
D316,069 S	*	4/1991	Yocum	D12/162
D336,880 S	*	6/1993	Drummond	D12/162
D355,630 S	*	2/1995	Liland et al.	D12/162
D361,541 S	*	8/1995	Denny	D12/162
D376,339 S	*	12/1996	Arakelian	D12/162

D415,117 S	*	10/1999	Belinky et al.	D12/162 X
D420,632 S	*	2/2000	Bills	D12/162
D425,833 S	*	5/2000	Robinson	D12/162
6,322,094 B1	*	11/2001	Poe	280/507

* cited by examiner

Primary Examiner—Stacia Cadmus

(74) *Attorney, Agent, or Firm*—Donald R. Schoonover

(57) **CLAIM**

I claim the ornamental design for a safety cover for trailer ball hitch, as shown and described.

DESCRIPTION

FIG. 1 is a perspective view of a safety cover for trailer ball hitch showing my new design; the broken lines showing environmental structure being for illustrative purposes only and form no part of the claimed design

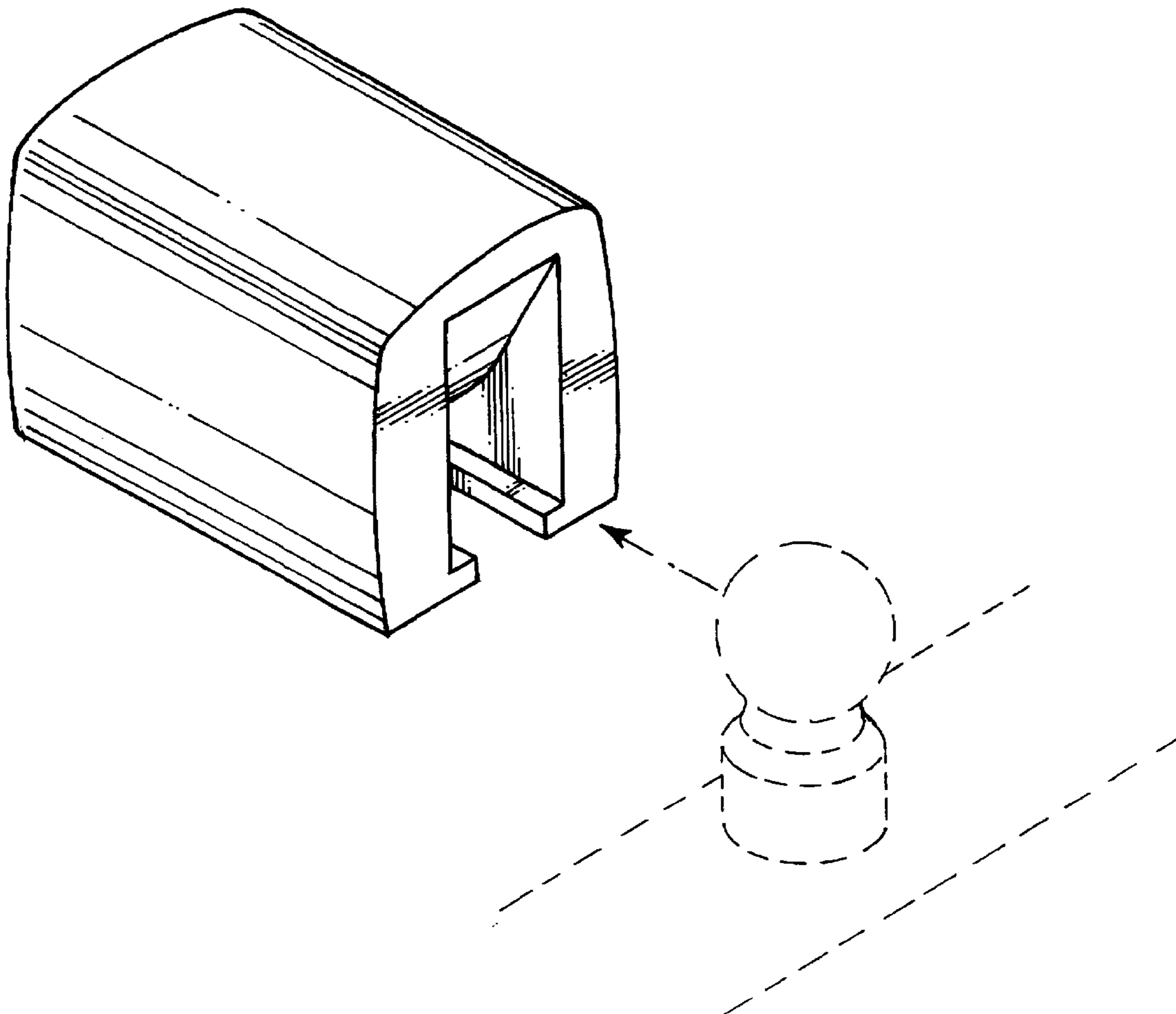
FIG. 2 is a front elevational view thereof;

FIG. 3 is a rear elevational view thereof;

FIG. 4 is a right side elevational view thereof, the left side elevational view being a mirror image thereof; and,

FIG. 5 is a top plan view thereof.

1 Claim, 3 Drawing Sheets



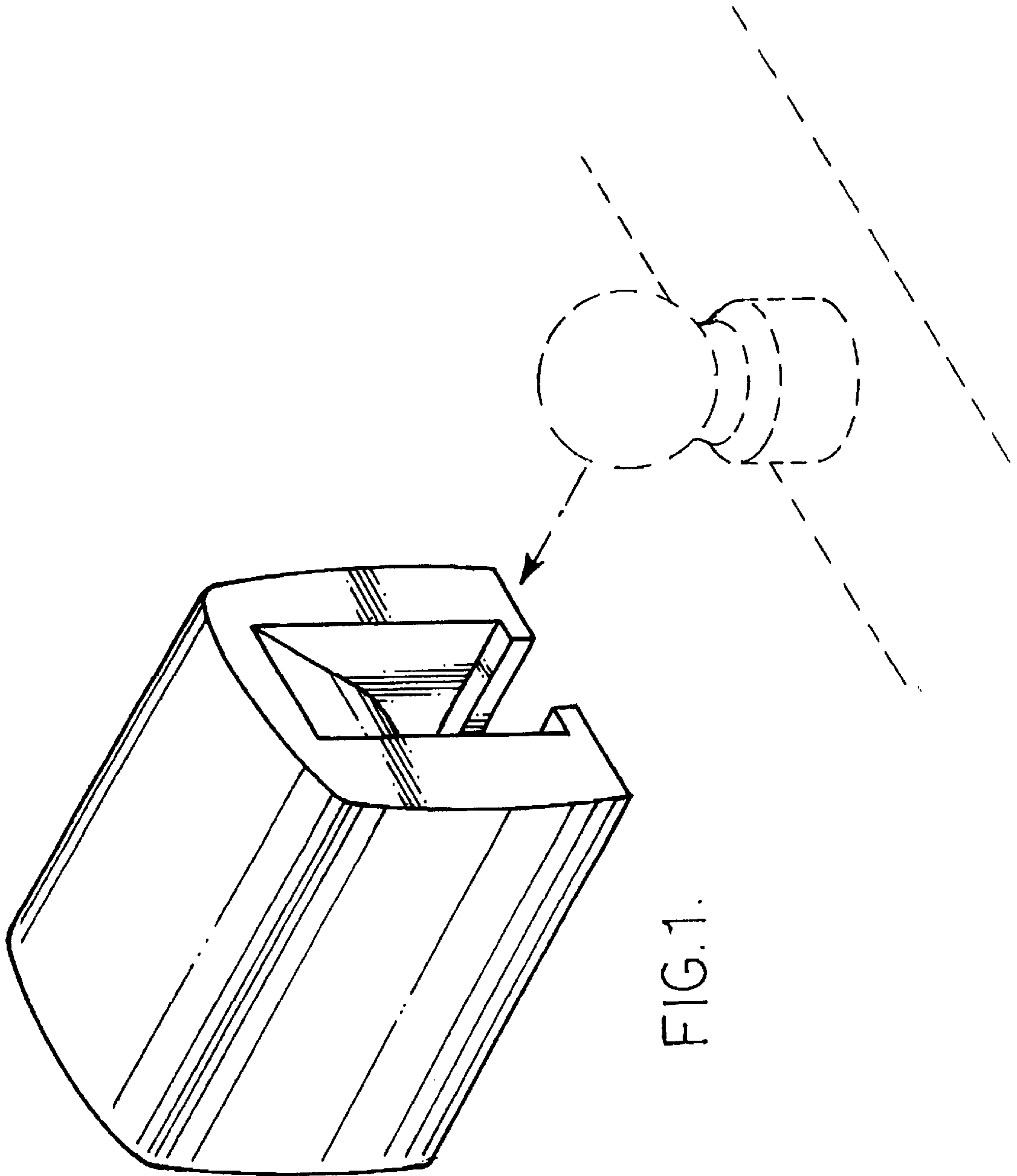


FIG.1.

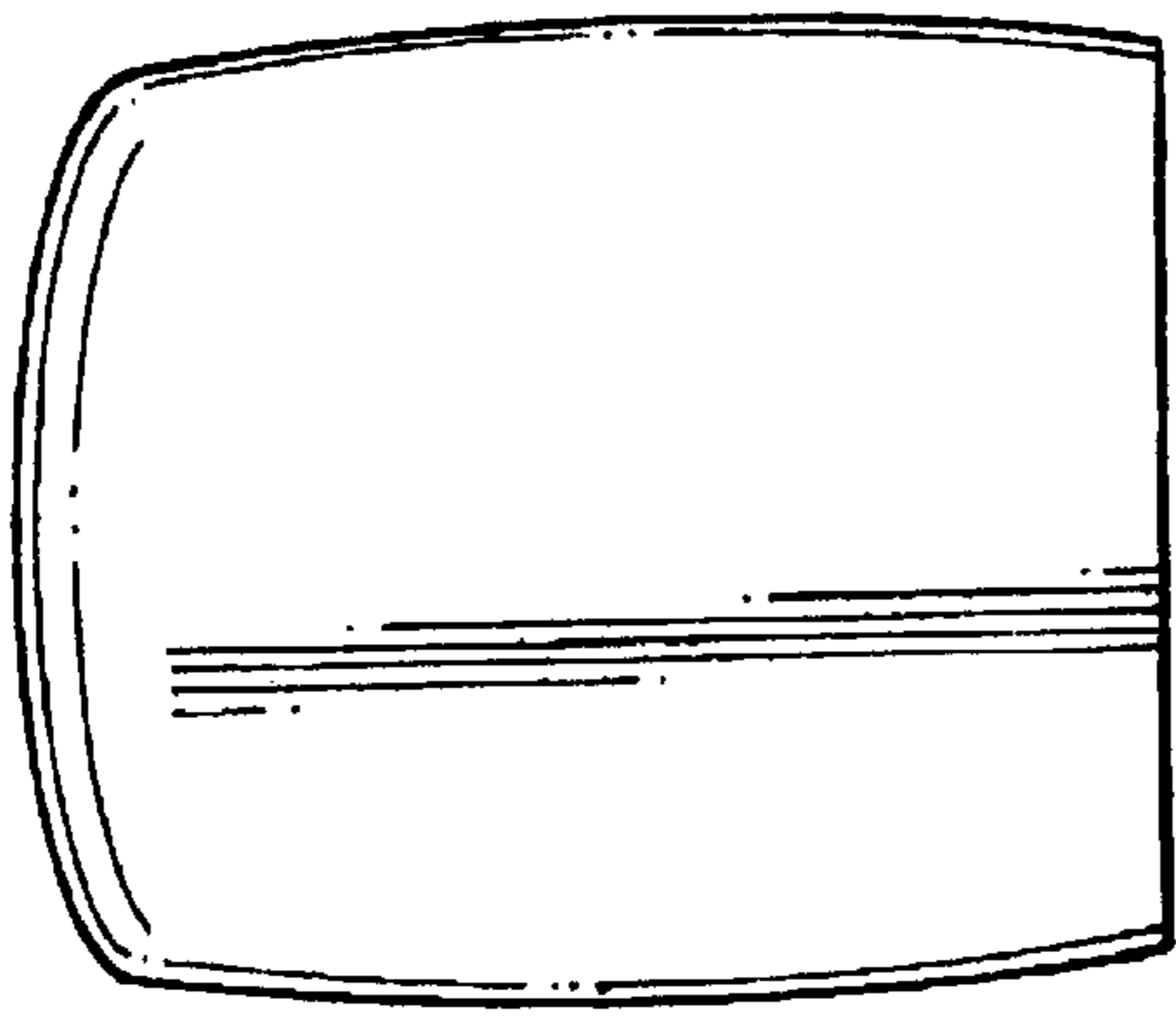


FIG. 3.

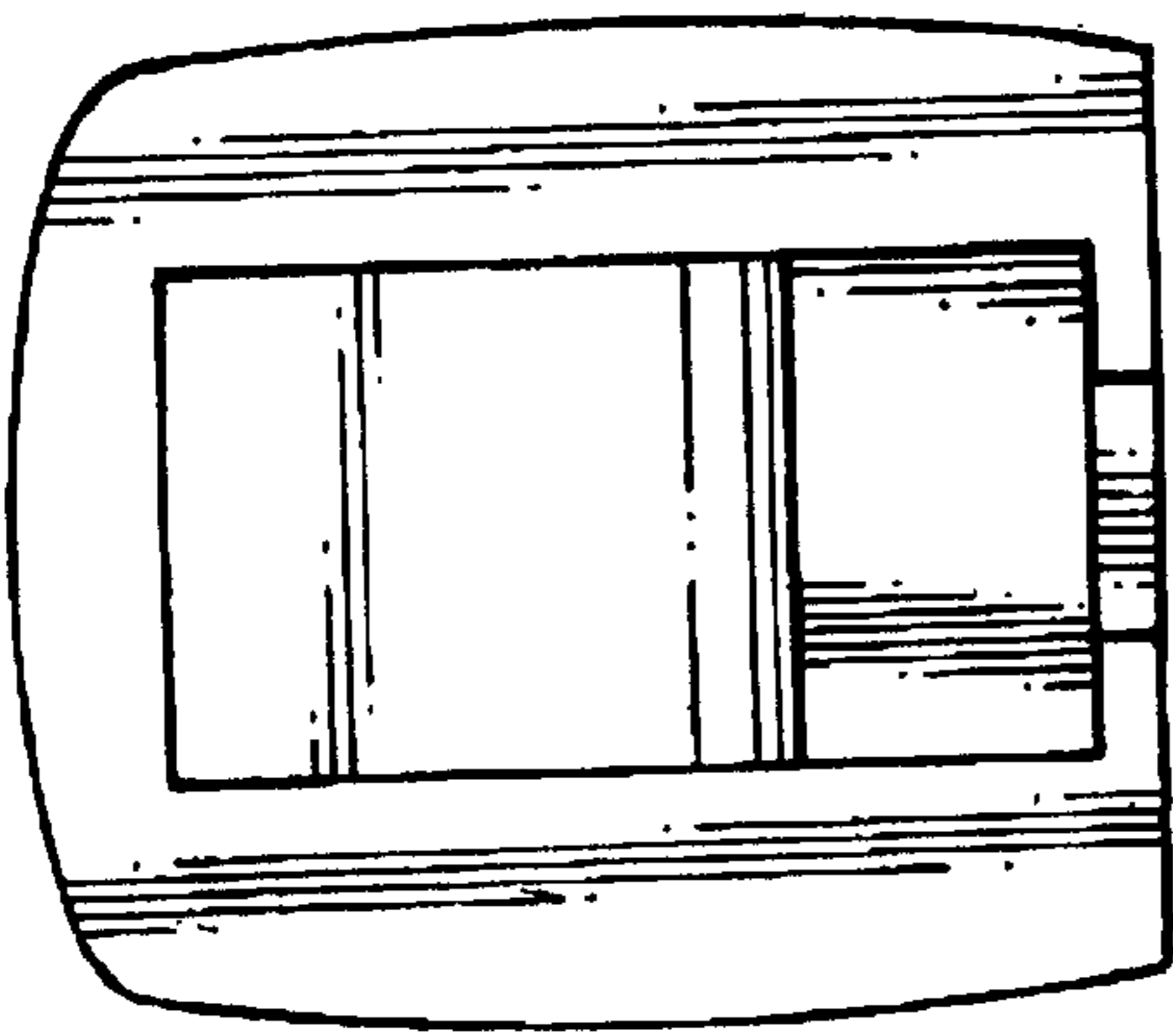


FIG. 2.

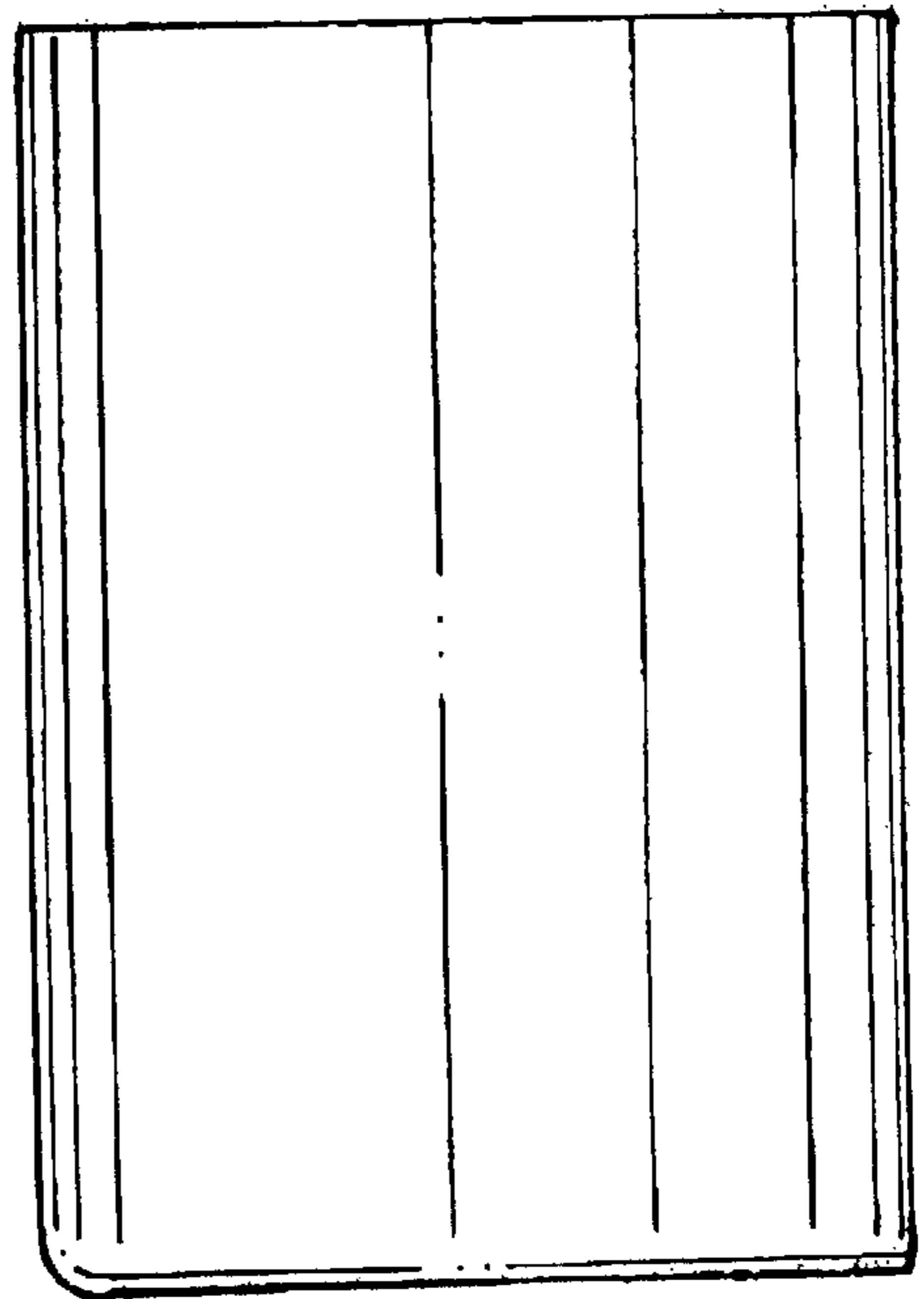


FIG. 4.

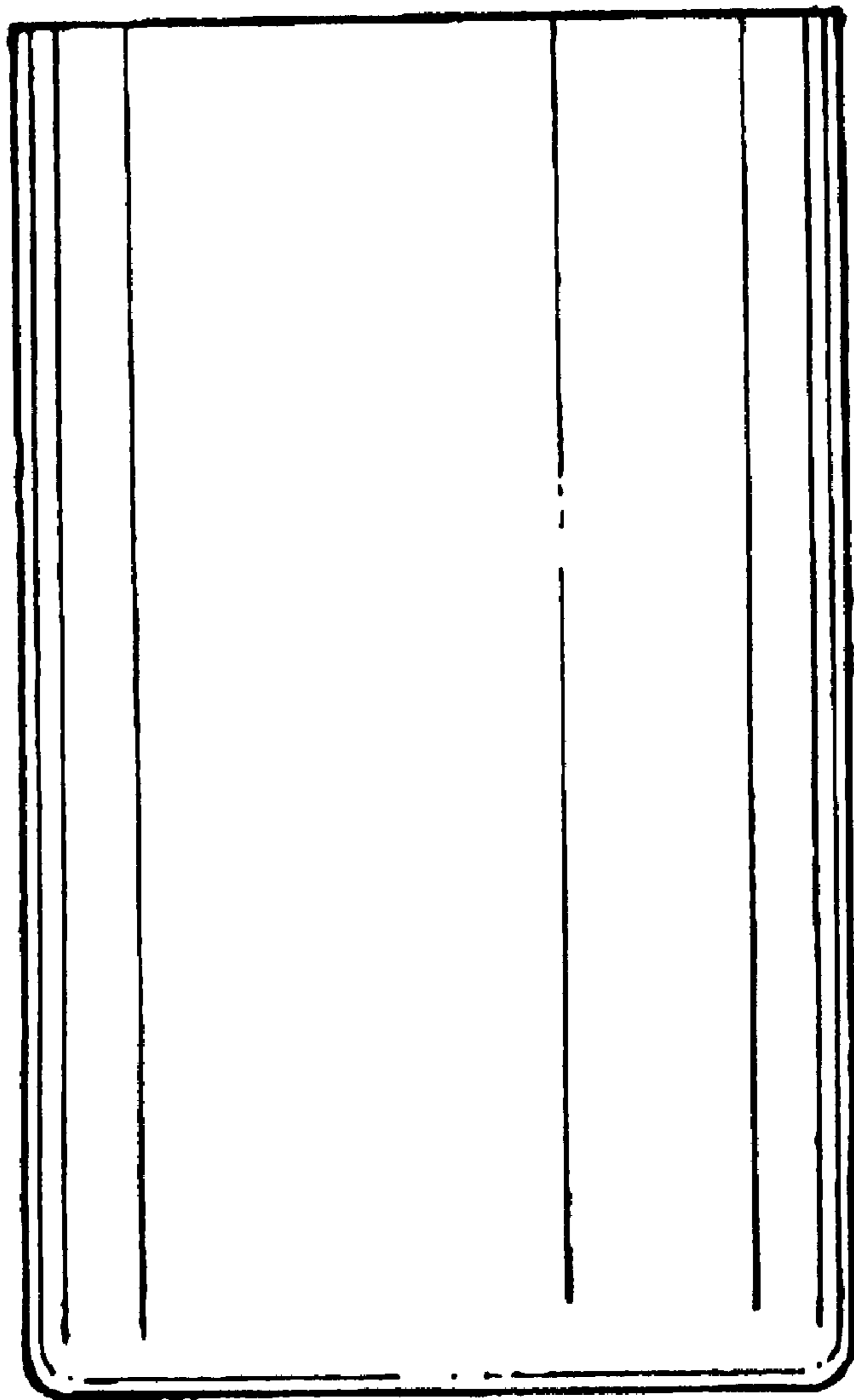


FIG. 5.