



US00D475953S

(12) **United States Design Patent**  
**Salwasser**

(10) **Patent No.:** **US D475,953 S**

(45) **Date of Patent:** **\*\* Jun. 17, 2003**

(54) **FIFTH-WHEEL HITCH HANDLE**

D339,090 S 9/1993 Gardenhour  
D377,924 S 2/1997 Christensen  
D439,208 S 3/2001 Salwasser

(76) **Inventor:** **Charles L. Salwasser**, P.O. Box 306,  
Randsburg, CA (US) 93554

(\*\*) **Term:** **14 Years**

\* cited by examiner

(21) **Appl. No.:** **29/149,524**

*Primary Examiner*—Stacia Cadmus

(22) **Filed:** **Oct. 10, 2001**

(74) *Attorney, Agent, or Firm*—James M. Duncan

(51) **LOC (7) Cl.** ..... **12-16**

(52) **U.S. Cl.** ..... **D12/161**

(58) **Field of Search** ..... D12/161, 400;  
294/12, 19.1, 24-26; D7/393, 395; D8/300,  
303, 306-312, 315-320; 280/433, 444,  
438.1, 407; 254/113-123

(57) **CLAIM**

The ornamental design for a fifth-wheel hitch handle, as shown and described.

**DESCRIPTION**

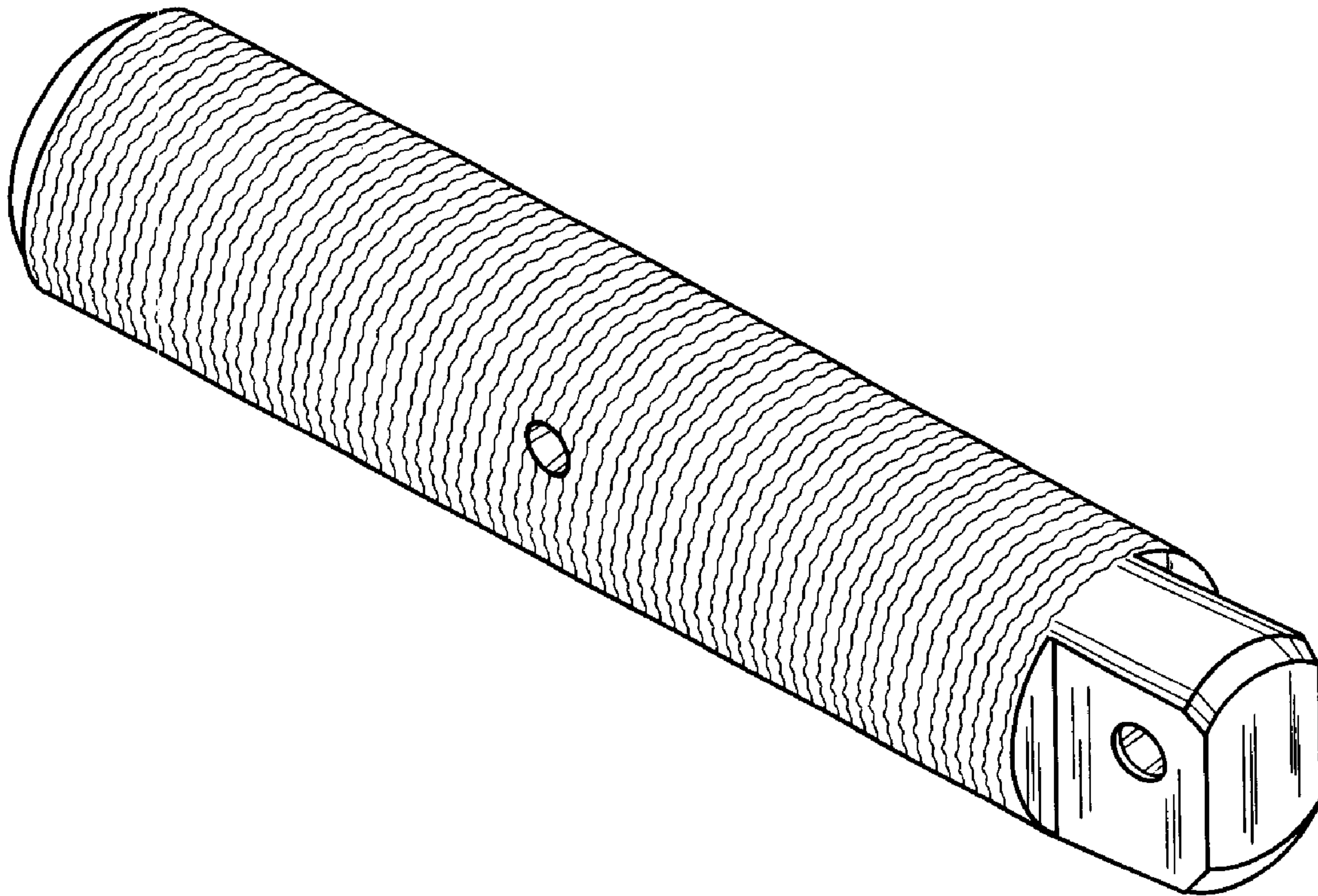
FIG. 1 is an isometric view of a fifth-wheel hitch handle showing our new design;  
FIG. 2 is a right side elevational view thereof, the left side view being a mirror image of the right side view;  
FIG. 3 is a top plan view thereof, the bottom view being a mirror image of the top view;  
FIG. 4 is a front elevational view thereof; and,  
FIG. 5 is a back elevational view thereof.

(56) **References Cited**

**U.S. PATENT DOCUMENTS**

D234,907 S \* 4/1975 Jamison ..... D8/303  
D307,734 S 5/1990 Ethridge  
D320,125 S \* 9/1991 Hacker ..... D8/303 X  
D332,385 S \* 1/1993 Adams ..... D8/303 X

**1 Claim, 2 Drawing Sheets**



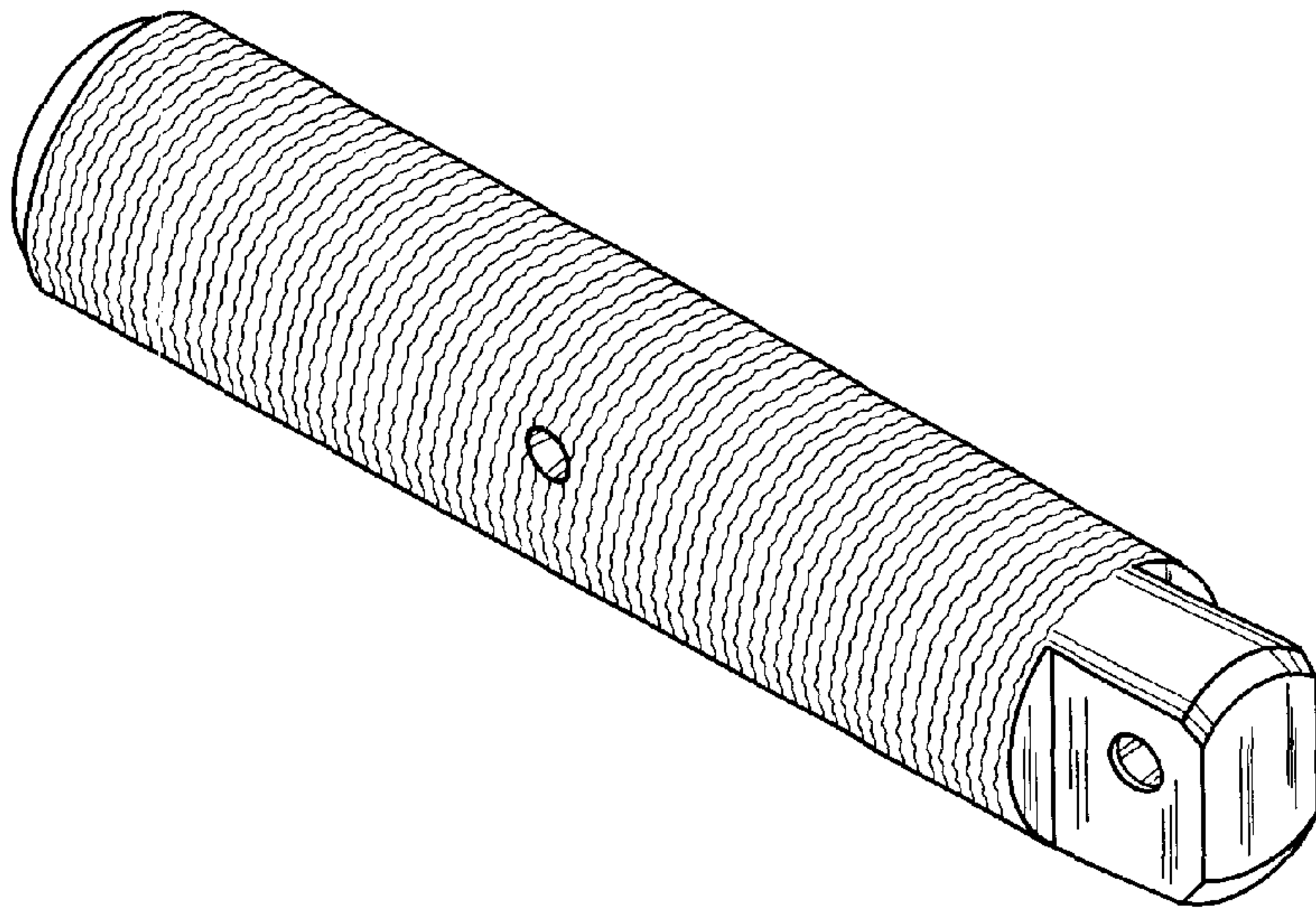


Fig. 1

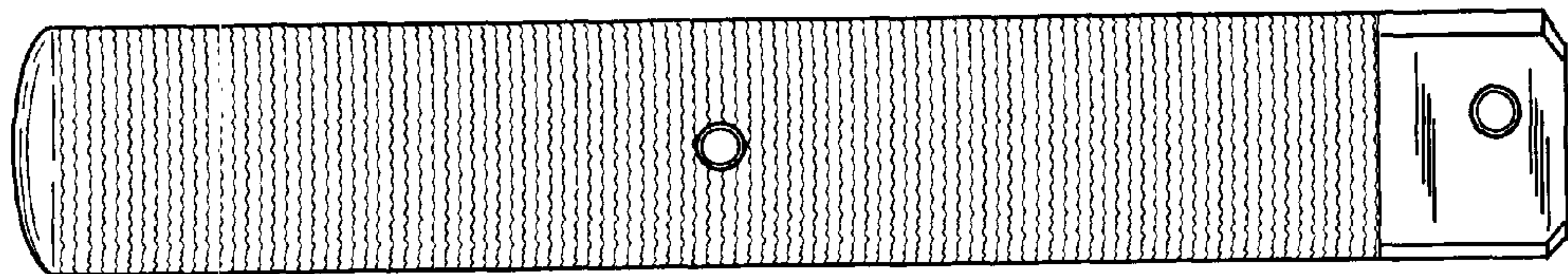


Fig. 2

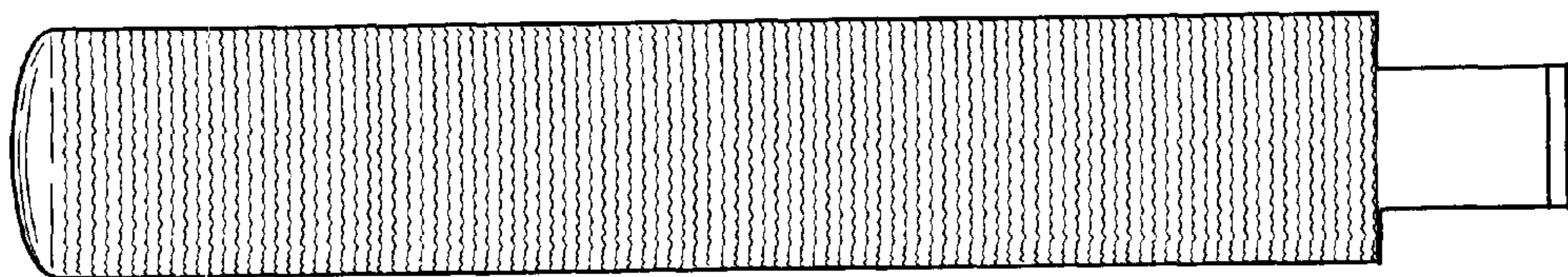


Fig. 3

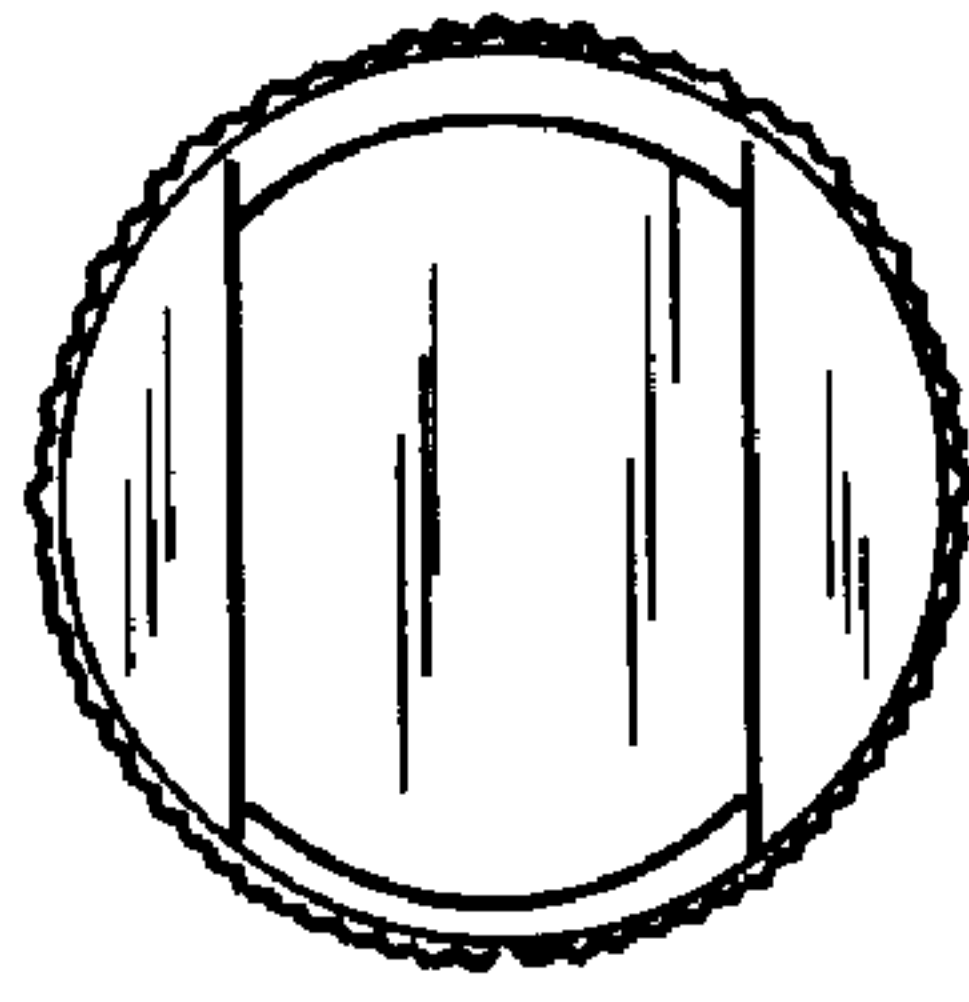


Fig. 4

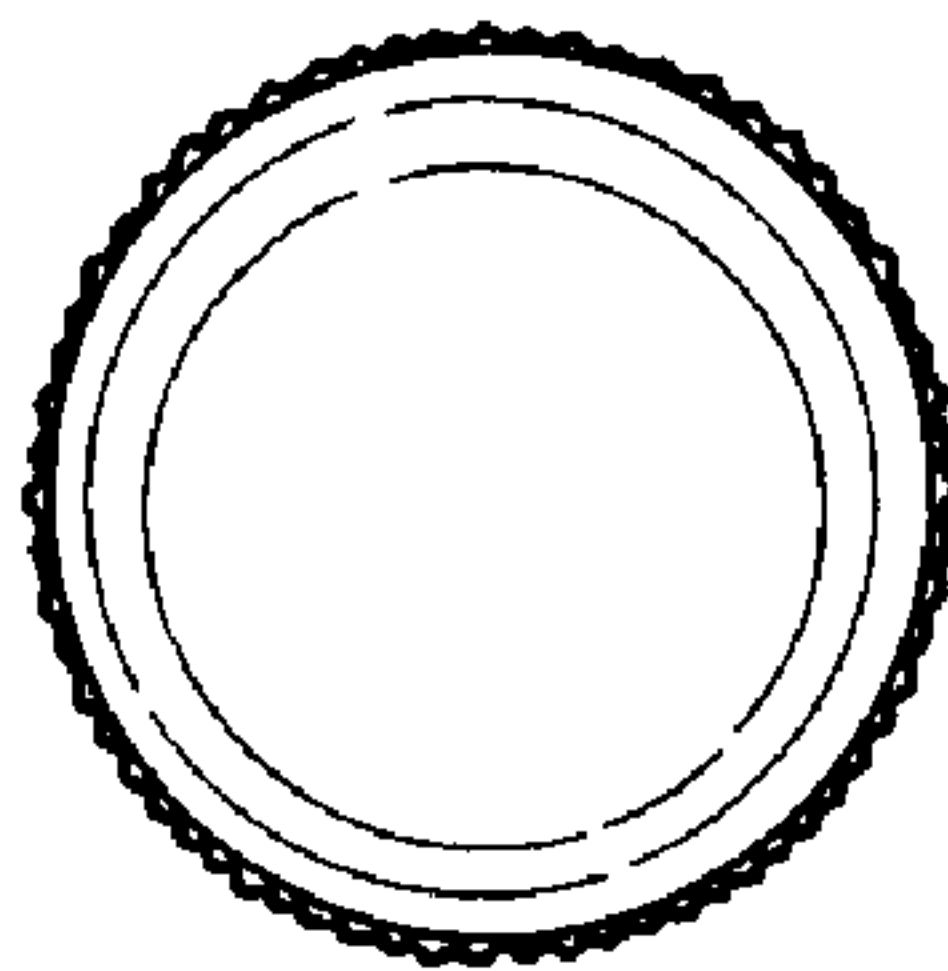


Fig. 5