



US00D475952S

(12) **United States Design Patent**
Nelson et al.

(10) **Patent No.:** **US D475,952 S**

(45) **Date of Patent:** **** Jun. 17, 2003**

(54) **WHEELCHAIR**

D364,971 S * 12/1995 Sterlacci D6/367
D414,143 S * 9/1999 Brotherston D12/131

(75) Inventors: **Sean Patrick Nelson**, Wrexham (GB);
Thomas Paul Suddaby, Newent (GB)

* cited by examiner

(73) Assignee: **Specmat Limited**, Hereford (GB)

Primary Examiner—Marcus A. Jackson

(**) Term: **14 Years**

(74) *Attorney, Agent, or Firm*—Townsend and Townsend
and Crew LLP

(21) Appl. No.: **29/167,922**

(57) **CLAIM**

(22) Filed: **Sep. 23, 2002**

The ornamental design for the wheelchair, as shown and
described.

(30) **Foreign Application Priority Data**

DESCRIPTION

Mar. 27, 2002 (GB) 3002484

(51) **LOC (7) Cl.** **12-12**

(52) **U.S. Cl.** **D12/131**

(58) **Field of Search** D12/128-133;
D6/335, 336, 337, 367, 370, 361; 297/30,
68, 377; 280/250.1

FIG. 1 is a perspective view from the front, one side and
above of the wheelchair;

FIG. 2 is a perspective view from behind, one side and above
of the wheelchair;

FIG. 3 is a view from a first side of the wheelchair;

FIG. 4 is a front view of the wheelchair;

FIG. 5 is a view from a second side of the wheelchair;

FIG. 6 is a back view of the wheelchair;

FIG. 7 is an underside view of the wheelchair; and,

FIG. 8 is a plan view of the wheelchair.

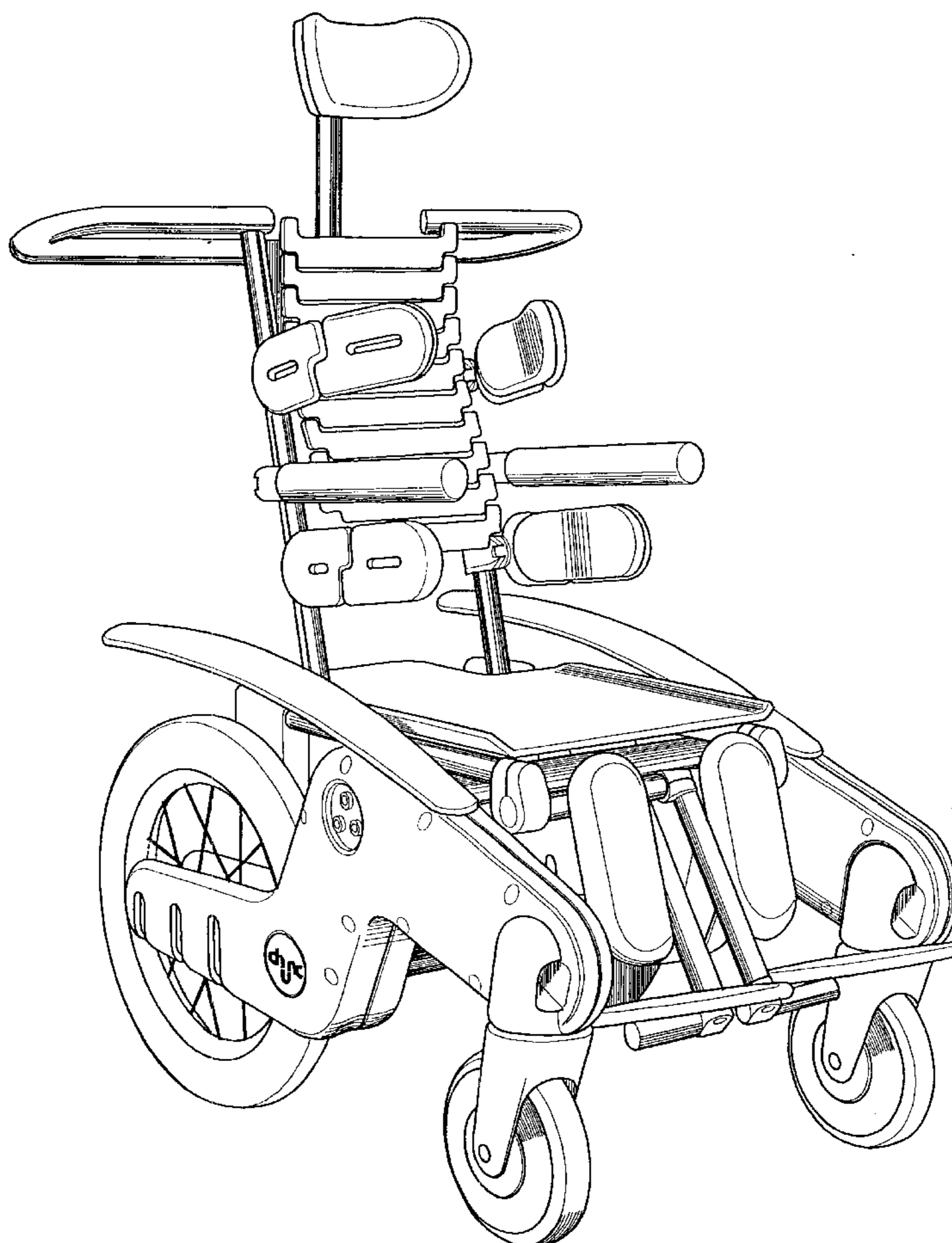
(56) **References Cited**

U.S. PATENT DOCUMENTS

D279,240 S * 6/1985 Jernigan D6/361

D315,123 S * 3/1991 Spiegel D12/131

1 Claim, 8 Drawing Sheets



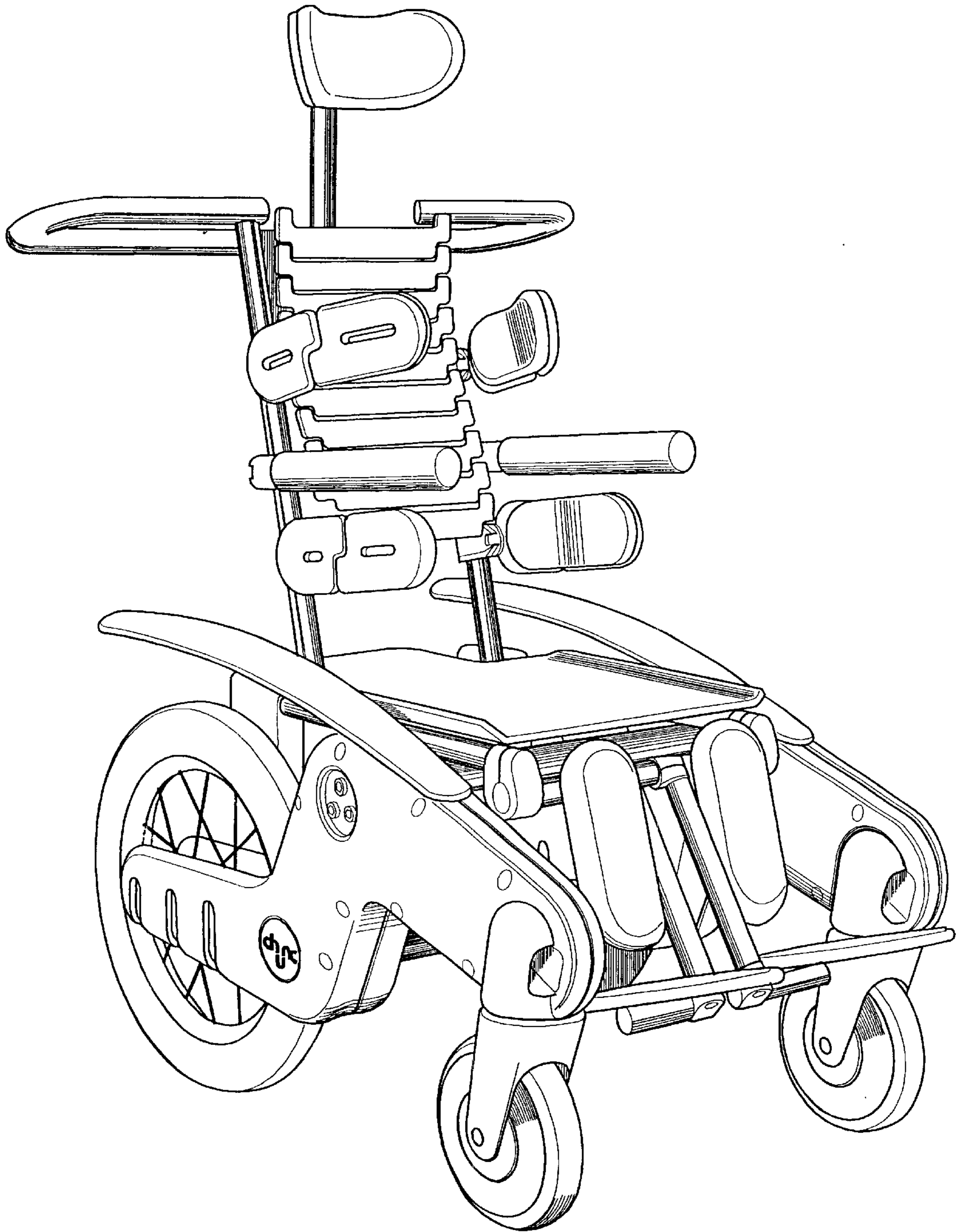


Fig. 1

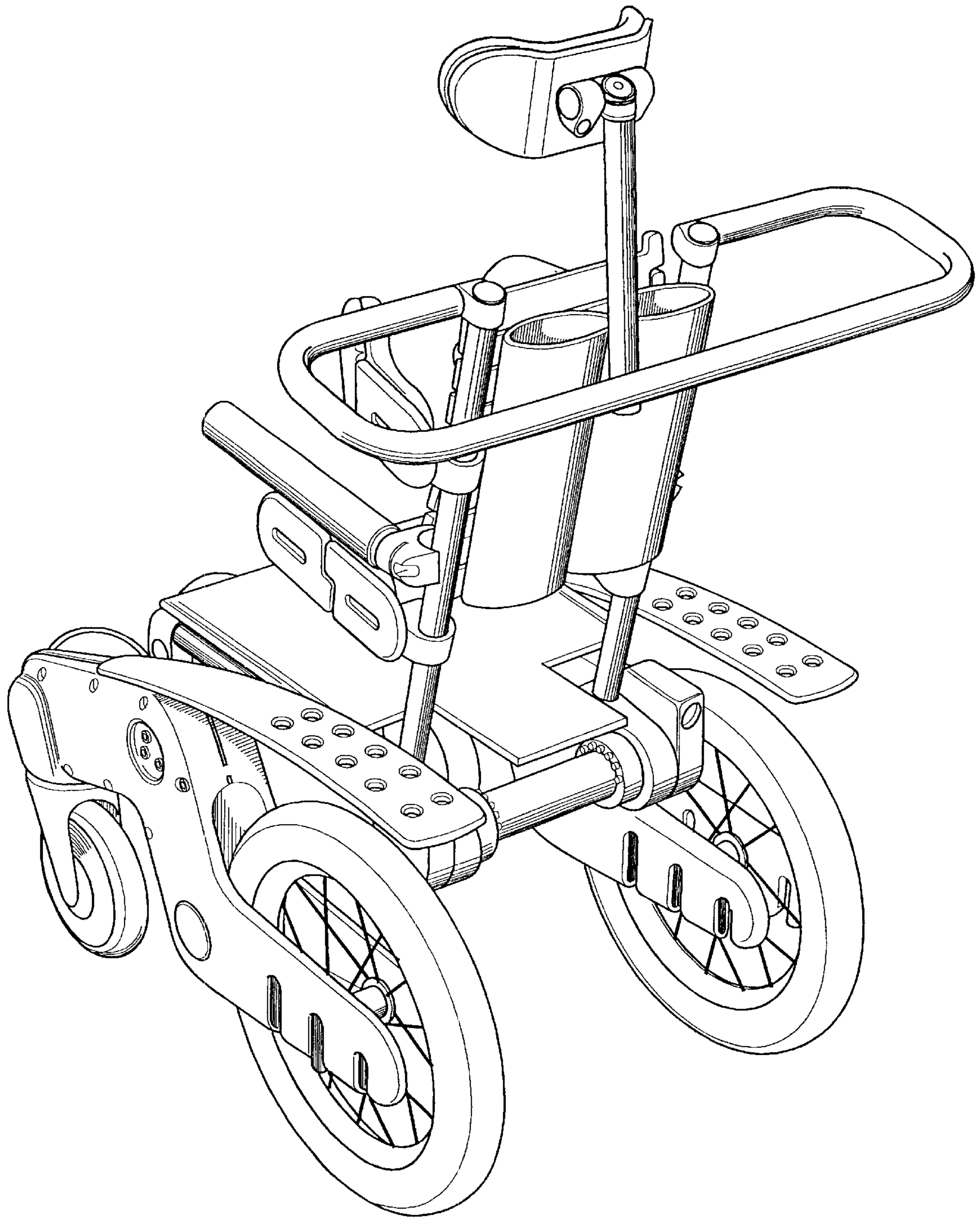


Fig. 2

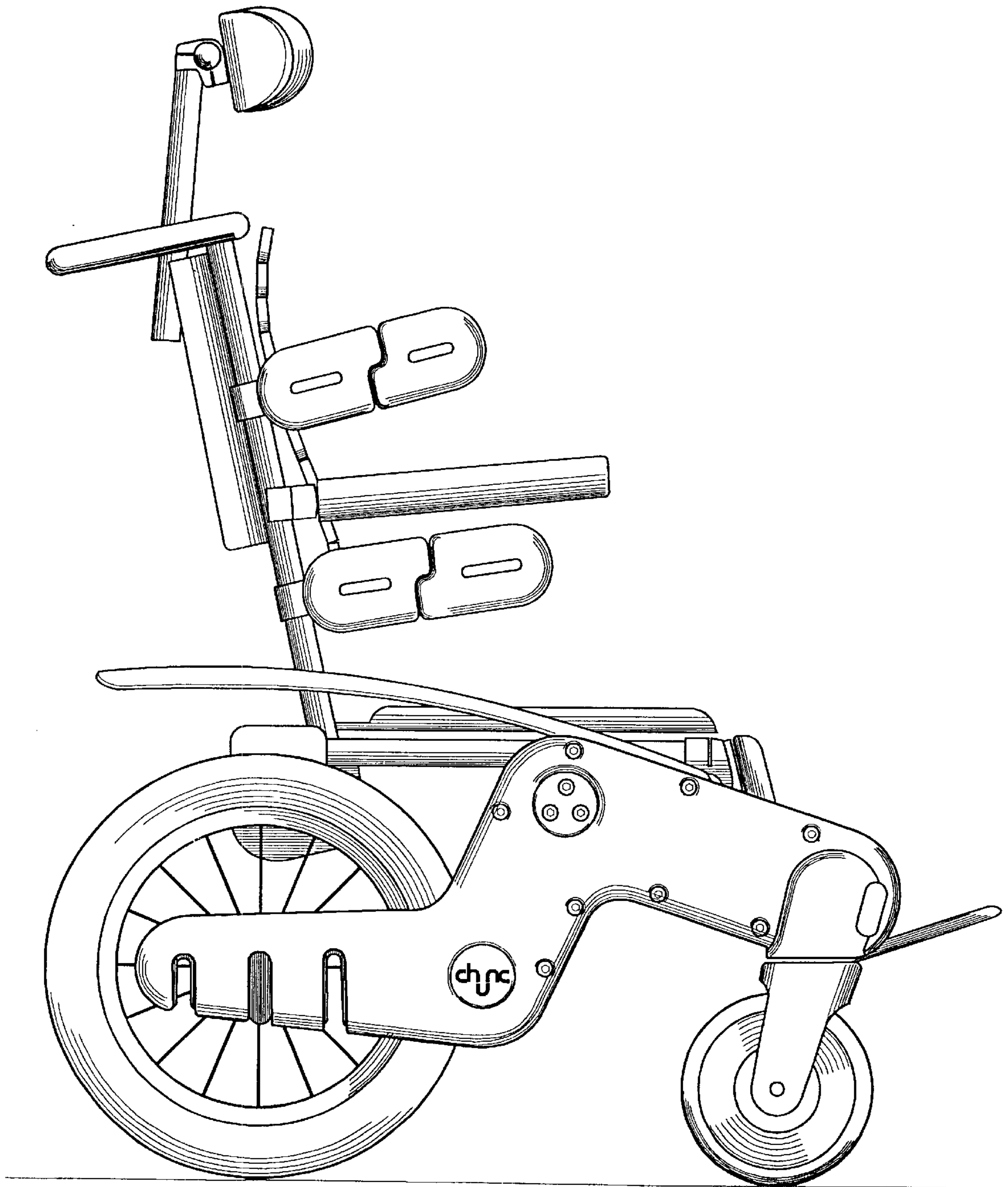


Fig. 3

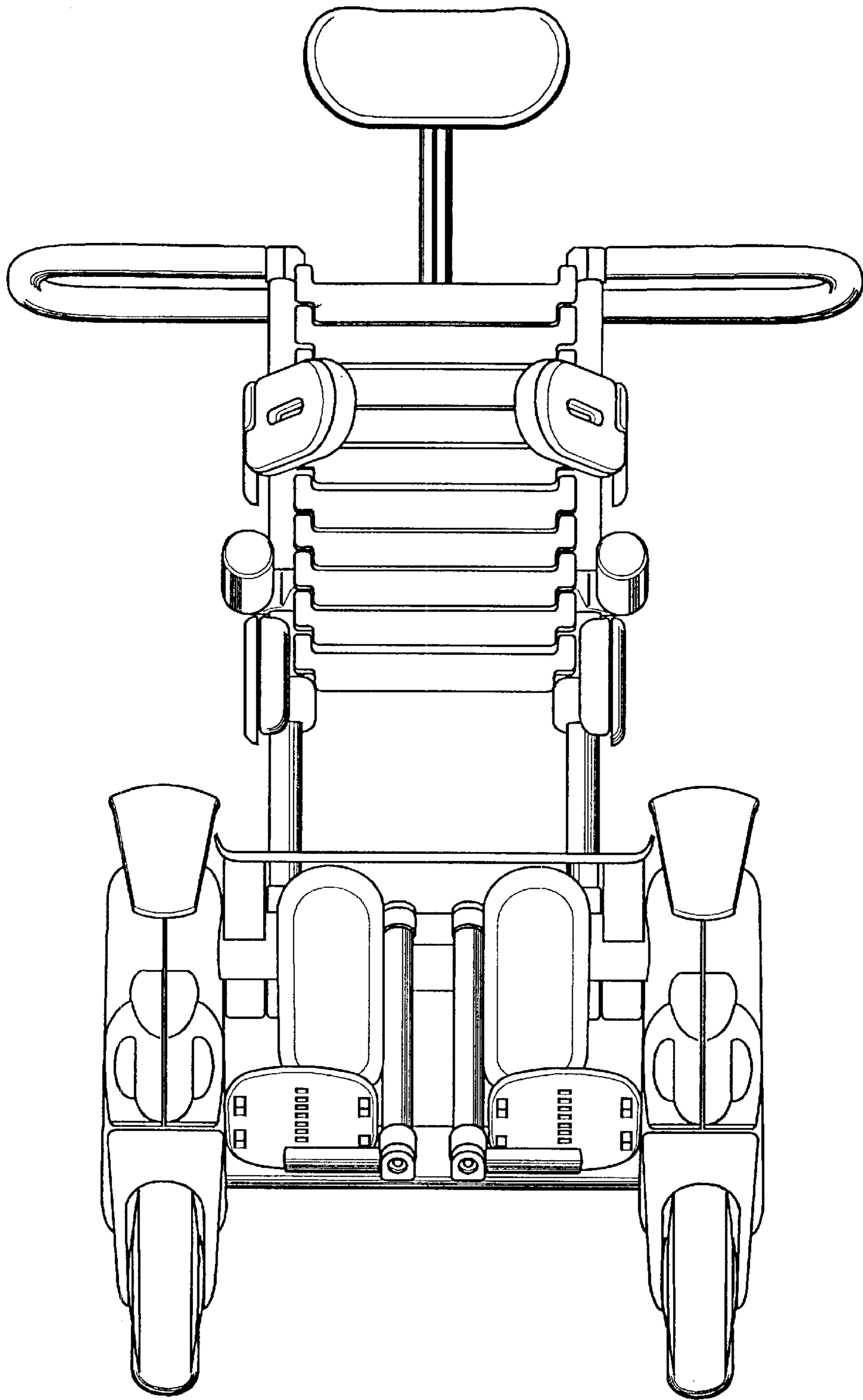


Fig. 4

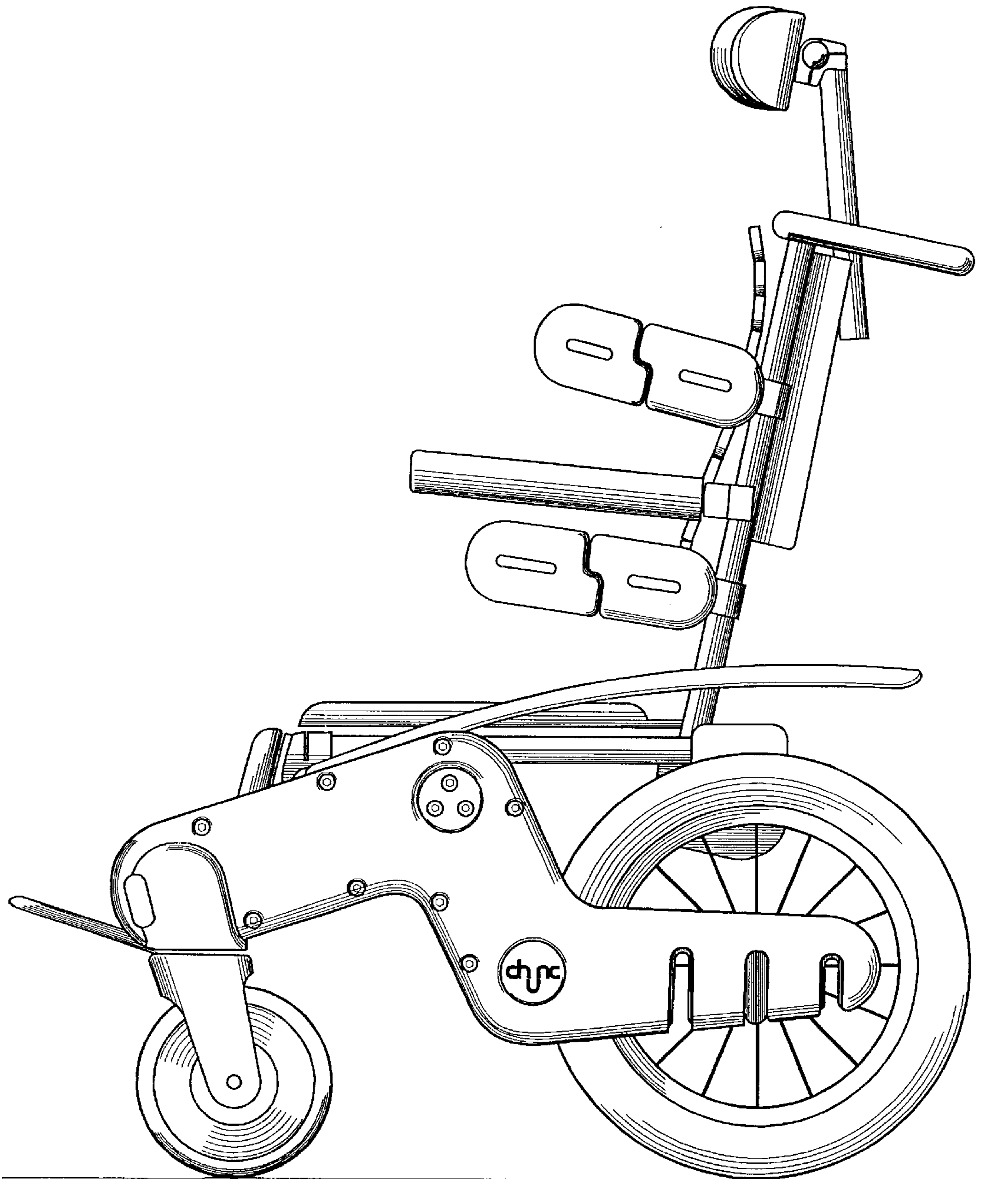


Fig. 5

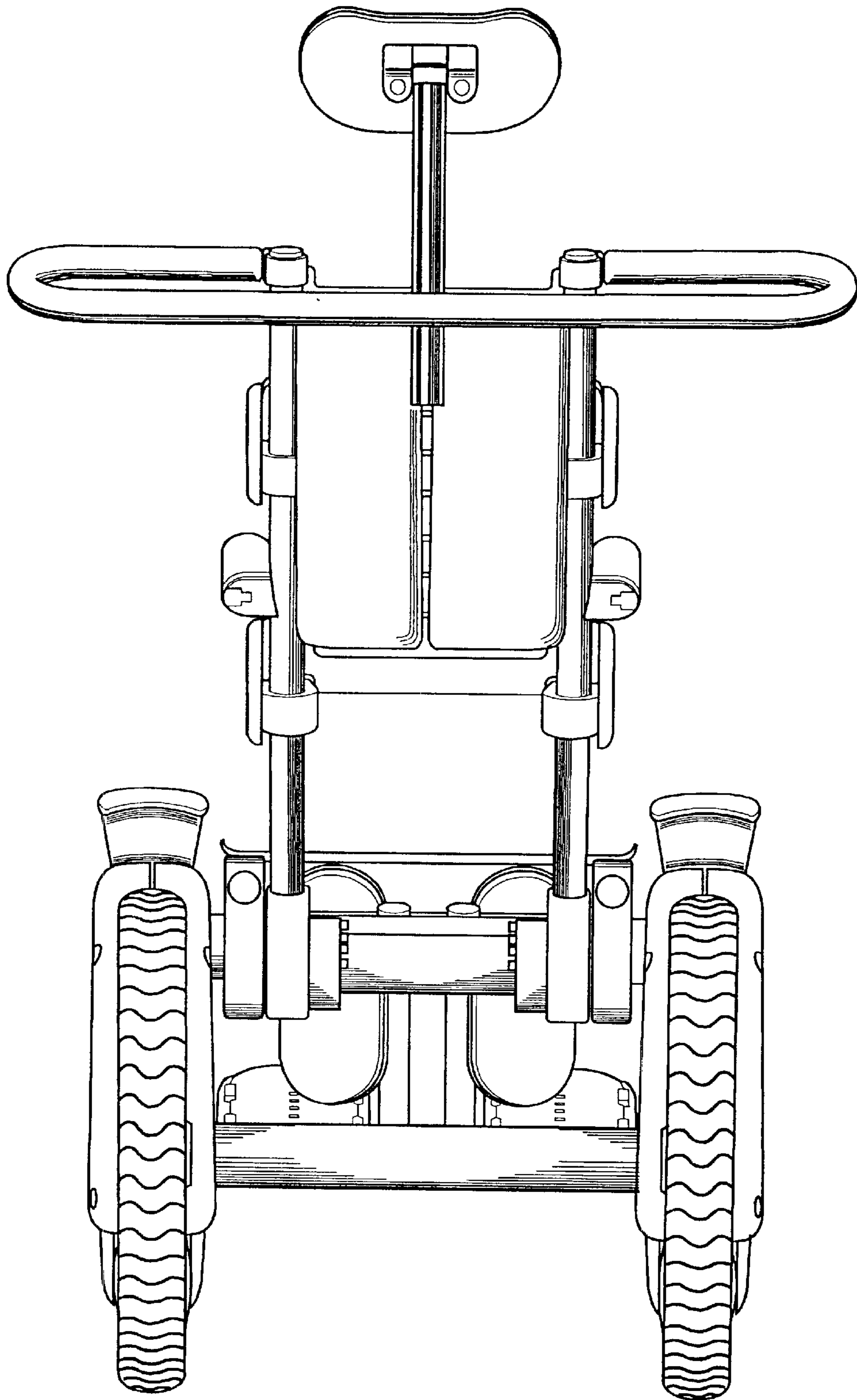


Fig. 6

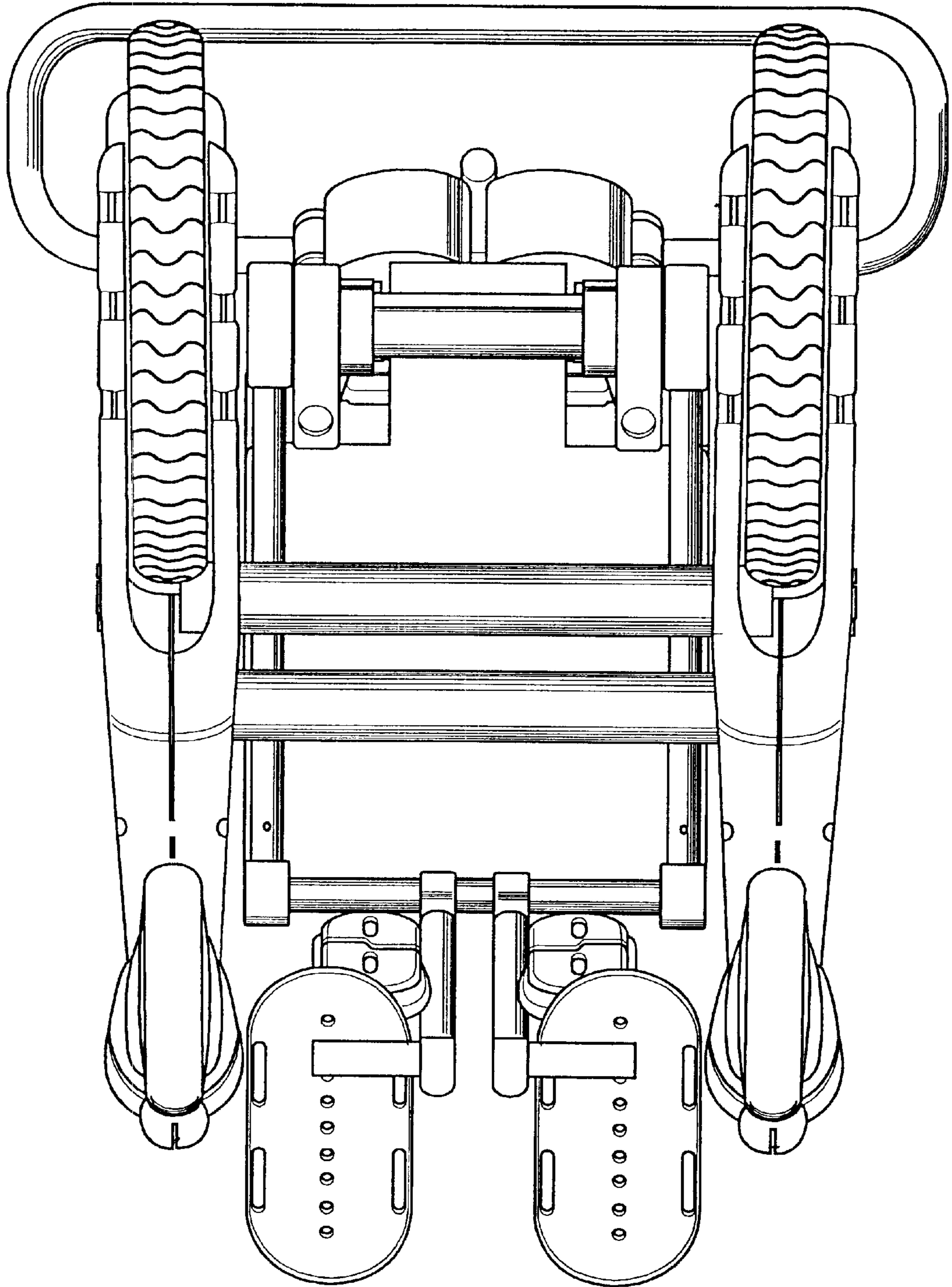


Fig. 7

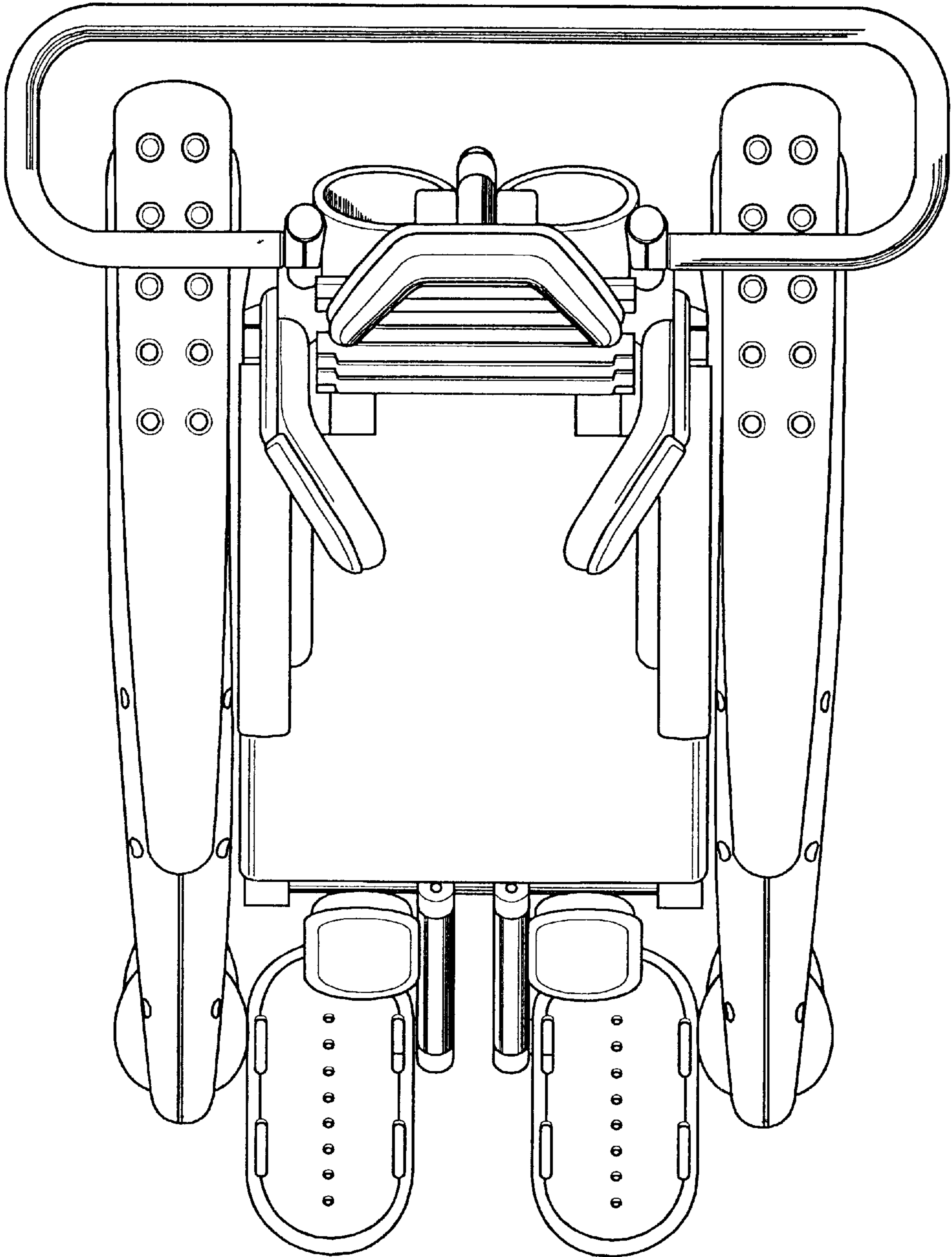


Fig. 8