



US00D475951S

(12) **United States Design Patent**  
**Everett**

(10) **Patent No.:** **US D475,951 S**

(45) **Date of Patent:** **\*\* Jun. 17, 2003**

(54) **COLLAPSIBLE INFANT JOGGING STROLLER**

D463,762 S \* 10/2002 Everett ..... D12/129

\* cited by examiner

(76) **Inventor:** **Richard C. Everett**, 225 Sunshine La.,  
West Linn, OR (US) 97068

*Primary Examiner*—Marcus A. Jackson

(74) *Attorney, Agent, or Firm*—Edward E. Roberts

(\*\*) **Term:** **14 Years**

(57) **CLAIM**

(21) **Appl. No.:** **29/166,363**

The ornamental design for a collapsible infant jogging stroller, as shown and described.

(22) **Filed:** **Aug. 27, 2002**

**DESCRIPTION**

(51) **LOC (7) Cl.** ..... **12-12**

(52) **U.S. Cl.** ..... **D12/129**

(58) **Field of Search** ..... D12/128-133;  
280/36, 38, 42, 47, 67, 641, 642, 643, 650,  
658

FIG. 1 is a perspective view of a collapsible infant jogging stroller showing my new design;

FIG. 2 is a left side elevational view of the stroller of FIG. 1;

FIG. 3 is a right side elevational view of the stroller of FIG. 1;

FIG. 4 is a front elevational view of FIG. 1.

FIG. 5 is a rear elevational view of FIG. 1;

FIG. 6 is a top plan view of FIG. 1; and,

FIG. 7 is a bottom plan view of FIG. 1.

(56) **References Cited**

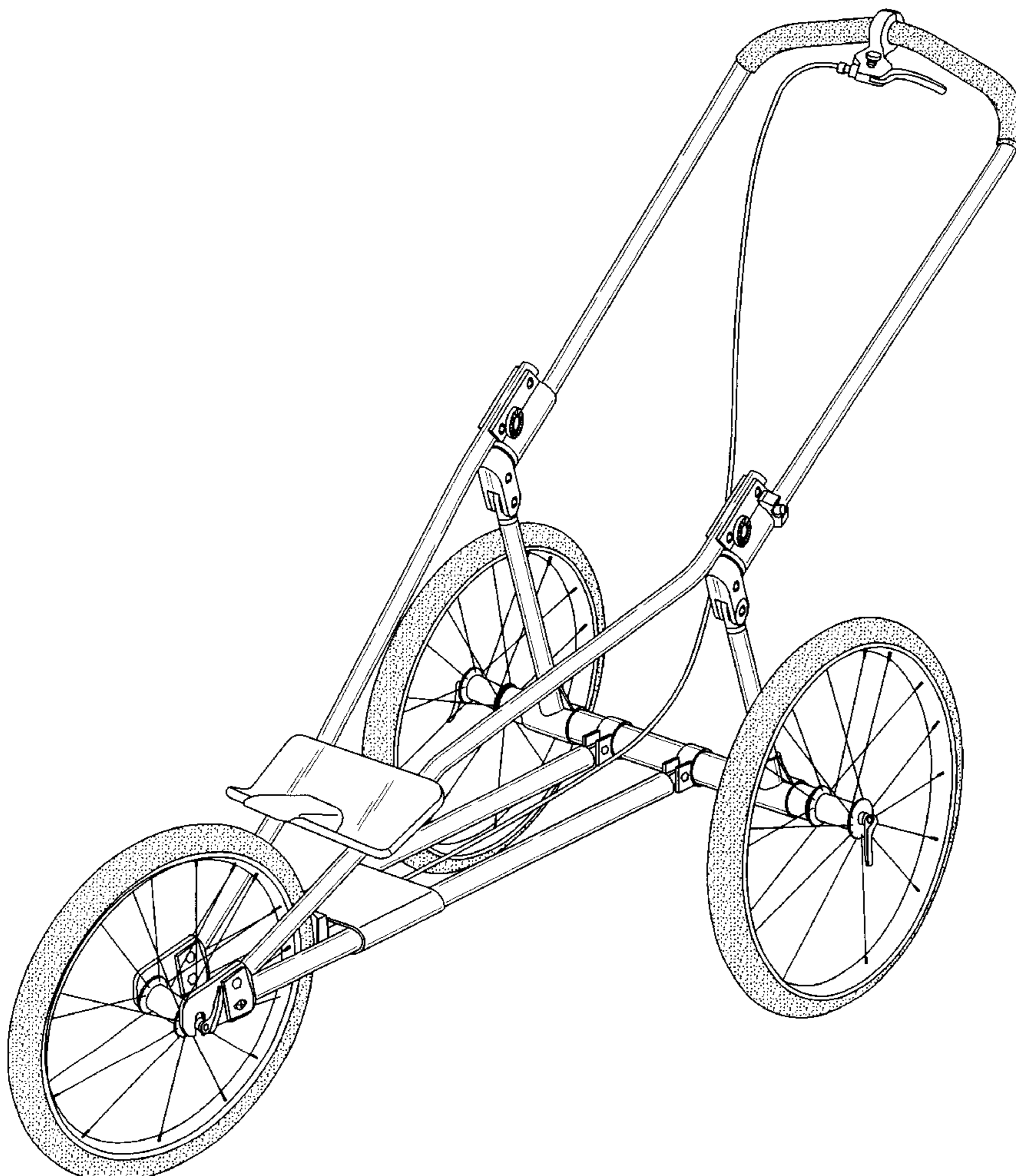
**U.S. PATENT DOCUMENTS**

D426,176 S \* 6/2000 Sutherland et al. .... D12/129

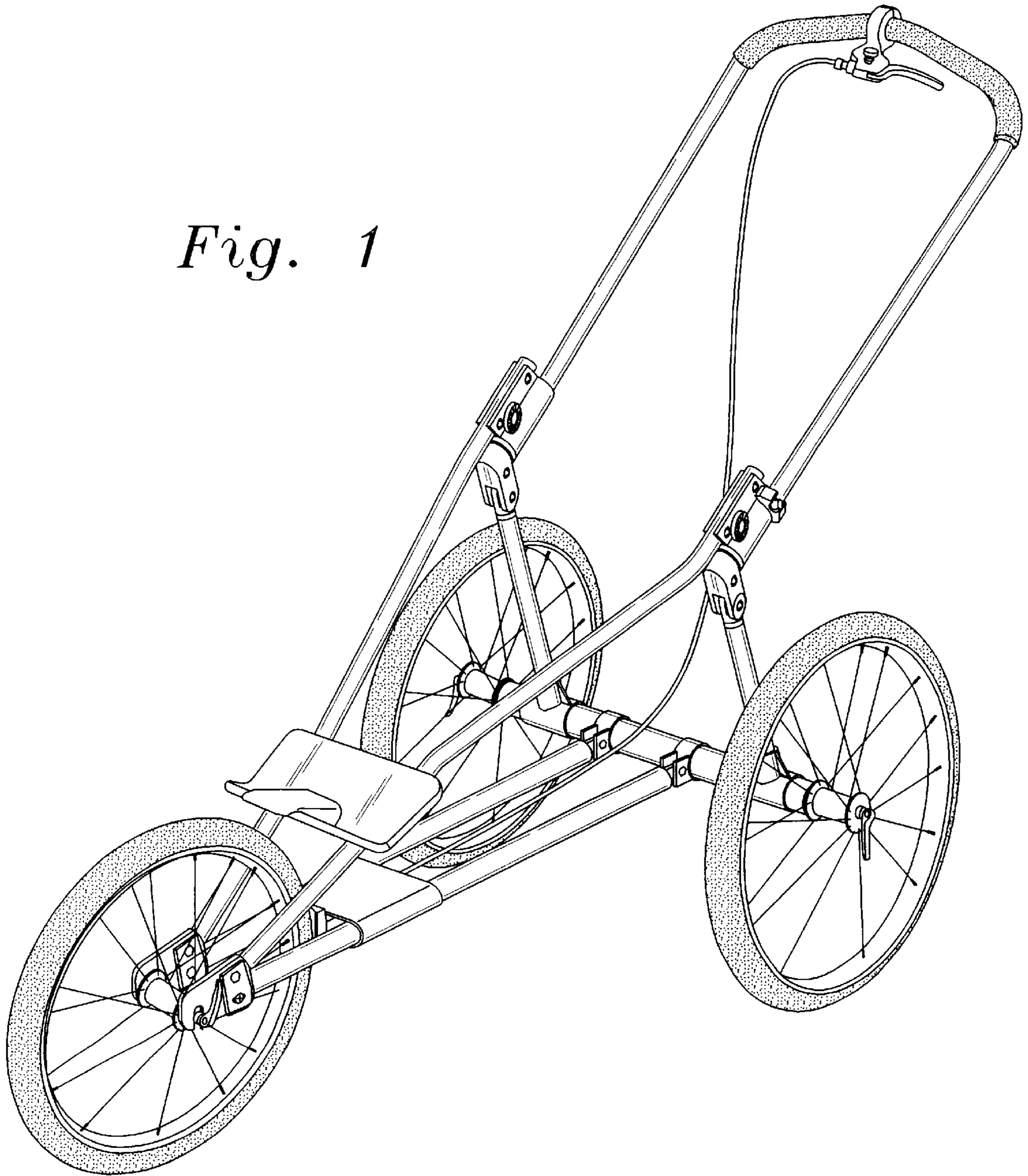
D452,194 S \* 12/2001 Stohr et al. .... D12/129

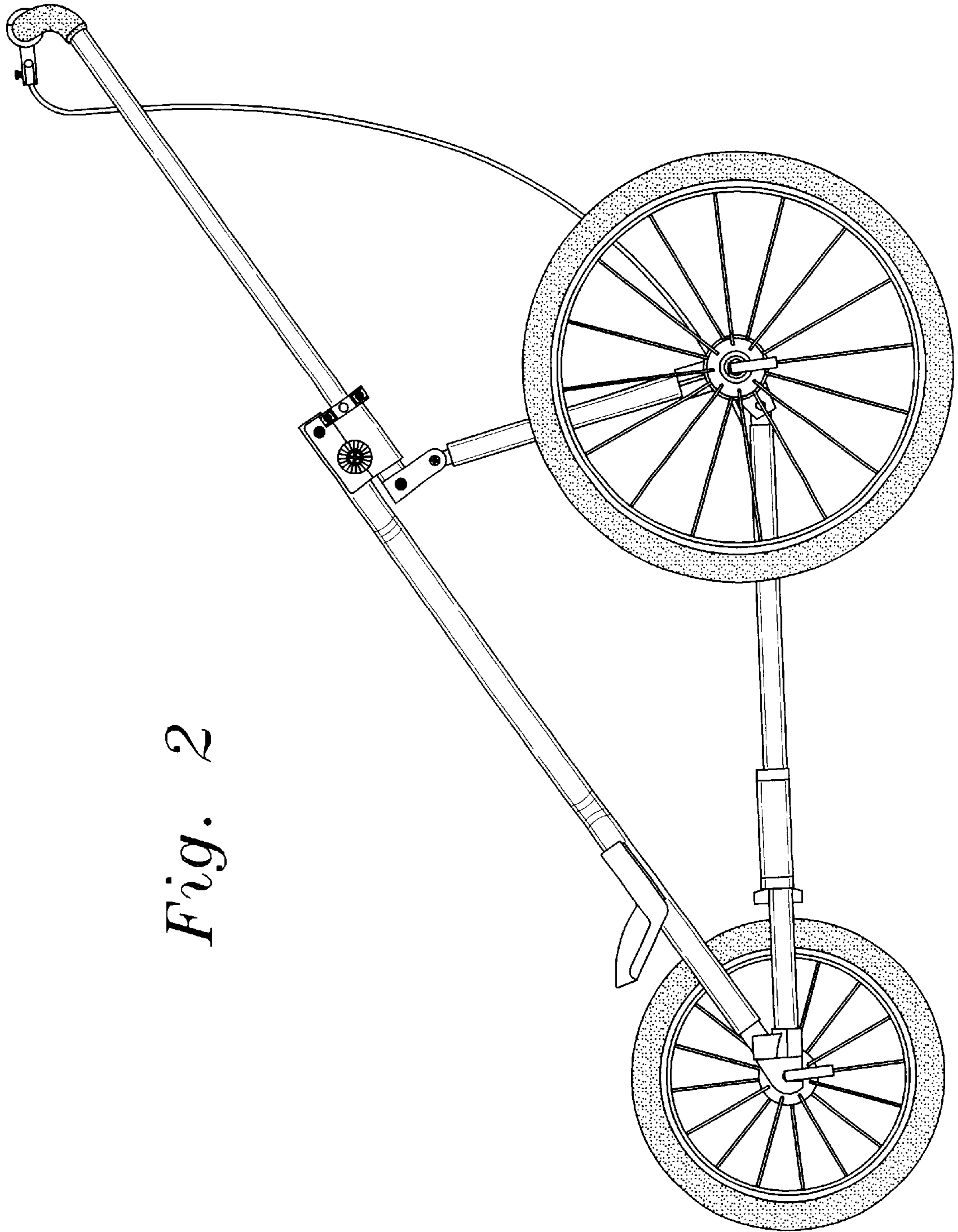
D452,197 S \* 12/2001 Martin et al. .... D12/129

**1 Claim, 6 Drawing Sheets**



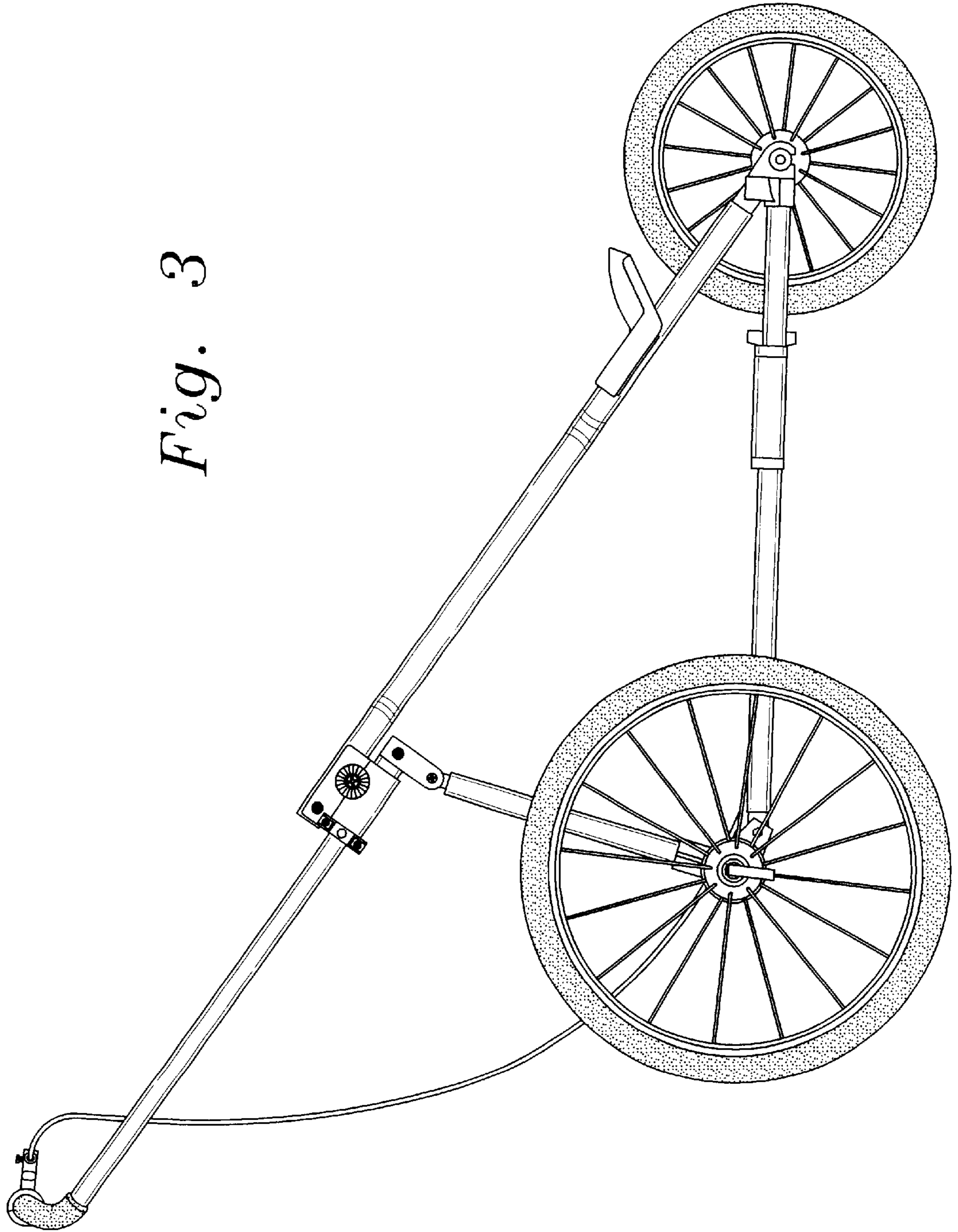
*Fig. 1*



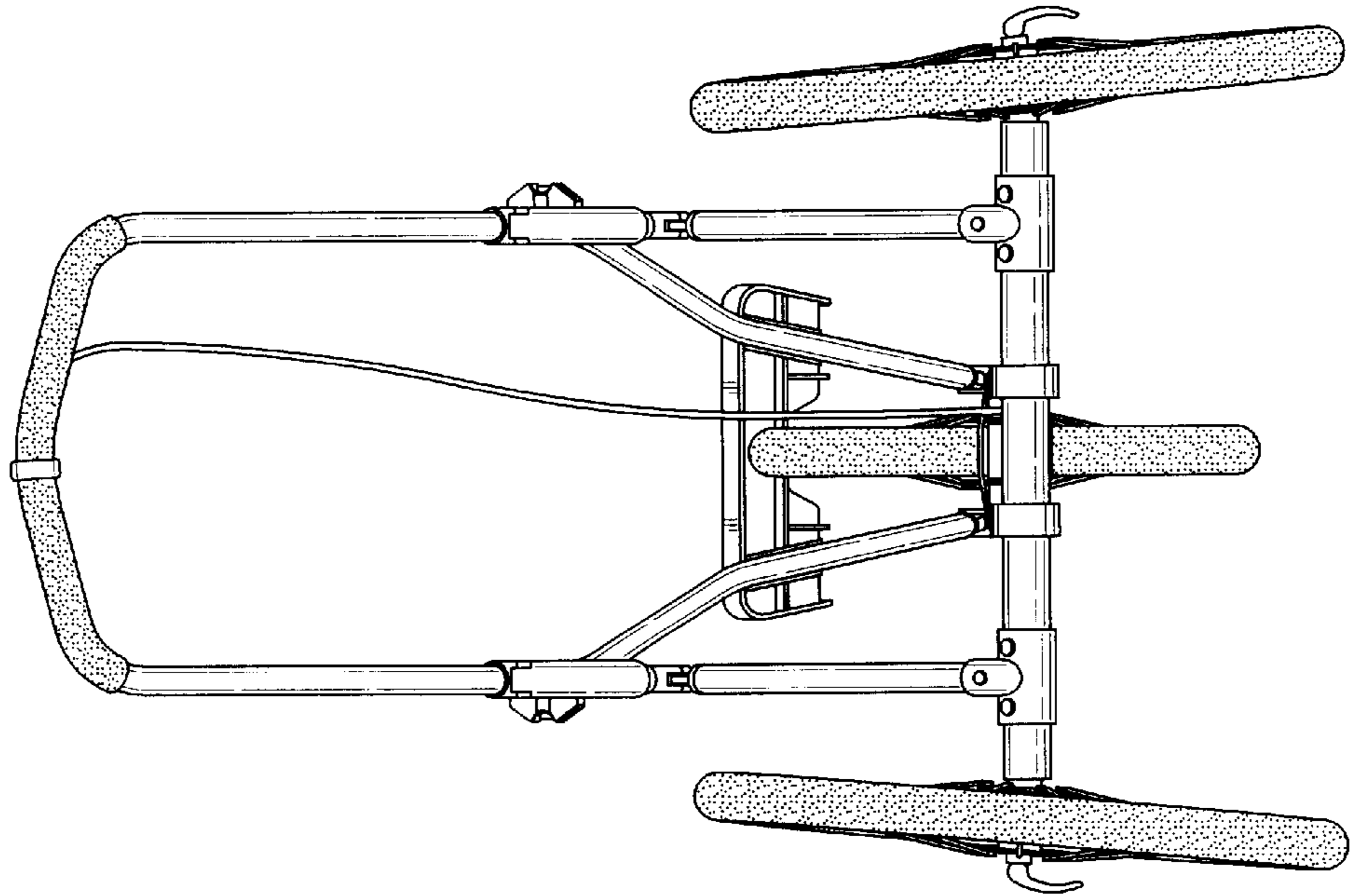


*Fig. 2*

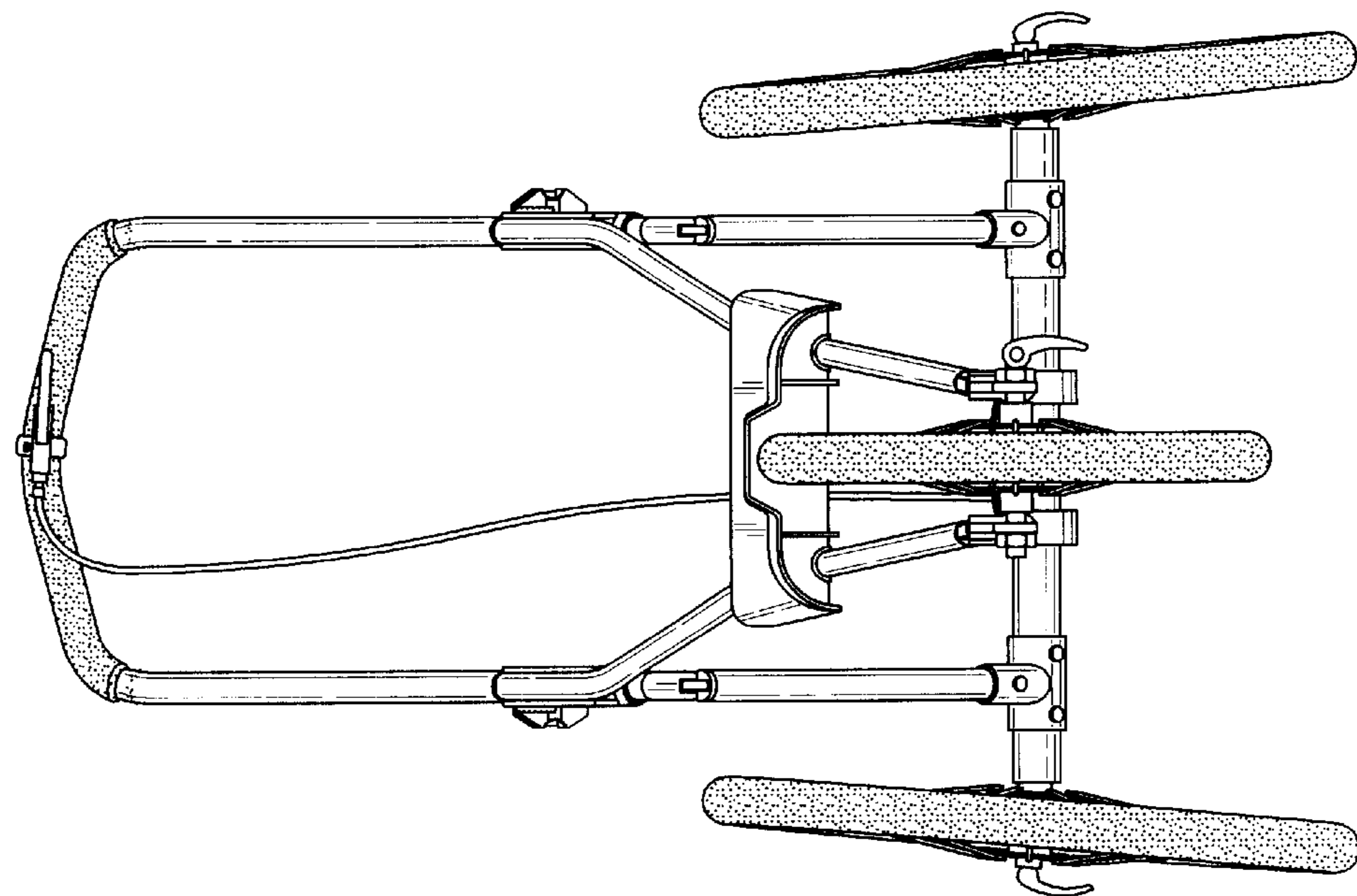
*Fig. 3*



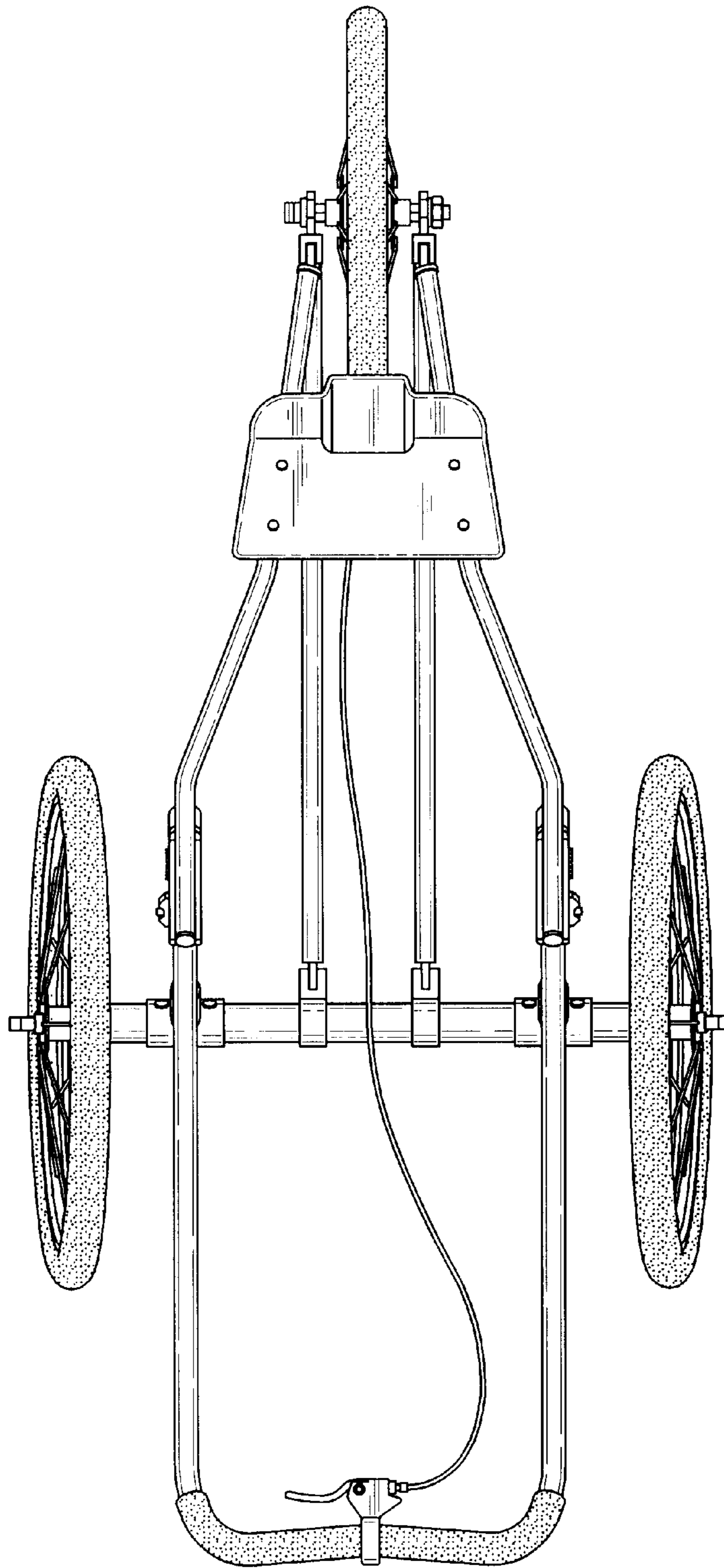
*Fig. 5*



*Fig. 4*



*Fig. 6*



*Fig. 7*

