



US00D475949S

(12) **United States Design Patent**
Honer

(10) **Patent No.:** **US D475,949 S**

(45) **Date of Patent:** **** Jun. 17, 2003**

(54) **SURFACE CONFIGURATION OF A VEHICLE CAB, TOY AND/OR OTHER REPLICAS**

D423,411 S * 4/2000 Takei et al. D12/93
D442,519 S * 5/2001 Sacco et al. D12/93
D443,576 S * 6/2001 Hayashi et al. D12/196

(75) Inventor: **Gerhard Honer**, Weil der Stadt (DE)

* cited by examiner

(73) Assignee: **DaimlerChrysler AG**, Stuttgart (DE)

Primary Examiner—Melody N. Brown

(**) Term: **14 Years**

(74) *Attorney, Agent, or Firm*—Crowell & Moring LLP

(21) Appl. No.: **29/169,313**

(57) **CLAIM**

(22) Filed: **Oct. 18, 2002**

The ornamental design for a surface configuration of a vehicle cab, toy and/or other replicas, as shown and described.

(30) **Foreign Application Priority Data**

Apr. 18, 2002 (DE) 4 02 03 443

DESCRIPTION

(51) **LOC (7) Cl.** **12-16**

FIG. 1 is a front, right perspective view of a surface configuration of a vehicle cab, toy and/or other replicas according to my novel design; and,

(52) **U.S. Cl.** **D12/96**

FIG. 2 is a front, left perspective view of the surface configuration of a vehicle cab, toy and/or other replicas according to my novel design.

(58) **Field of Search** D12/96, 93, 98;
296/183, 180, 190; 180/89.12, 89.16, 89.19

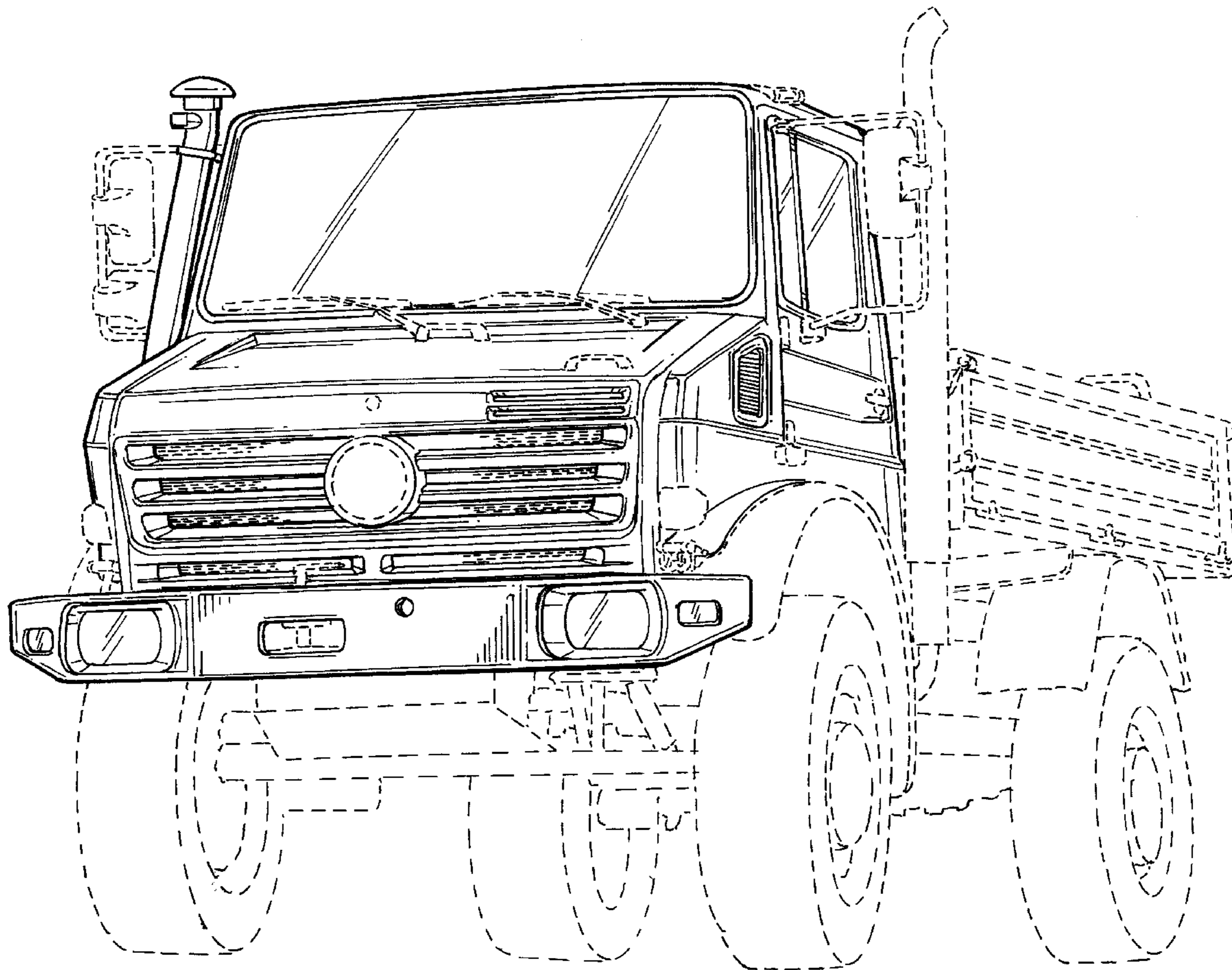
The broken lines included depict environment and are not part of the claimed design.

(56) **References Cited**

U.S. PATENT DOCUMENTS

D412,301 S * 7/1999 Dirks D12/96
D412,683 S * 8/1999 Sacco et al. D12/96

1 Claim, 2 Drawing Sheets



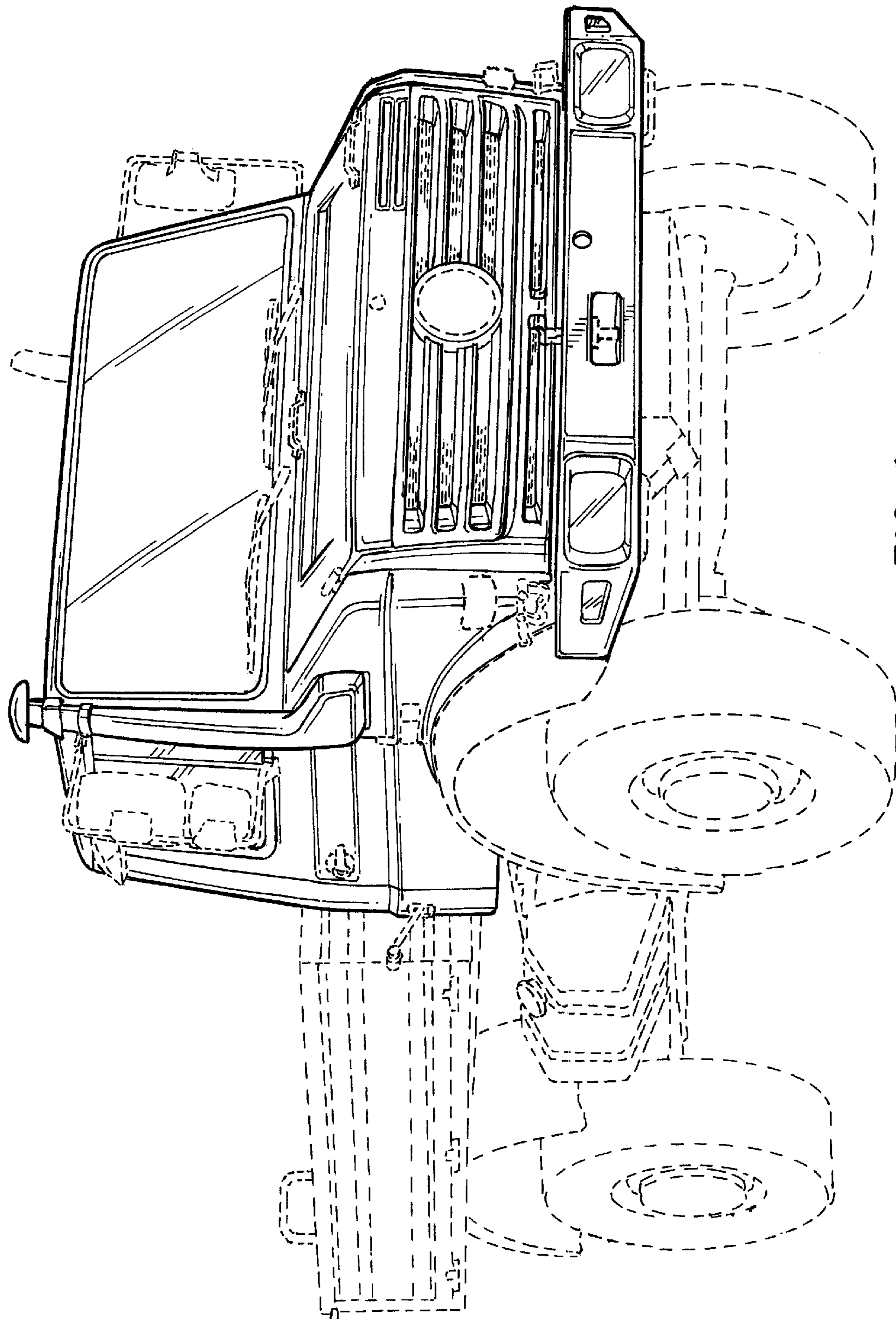


FIG. 1

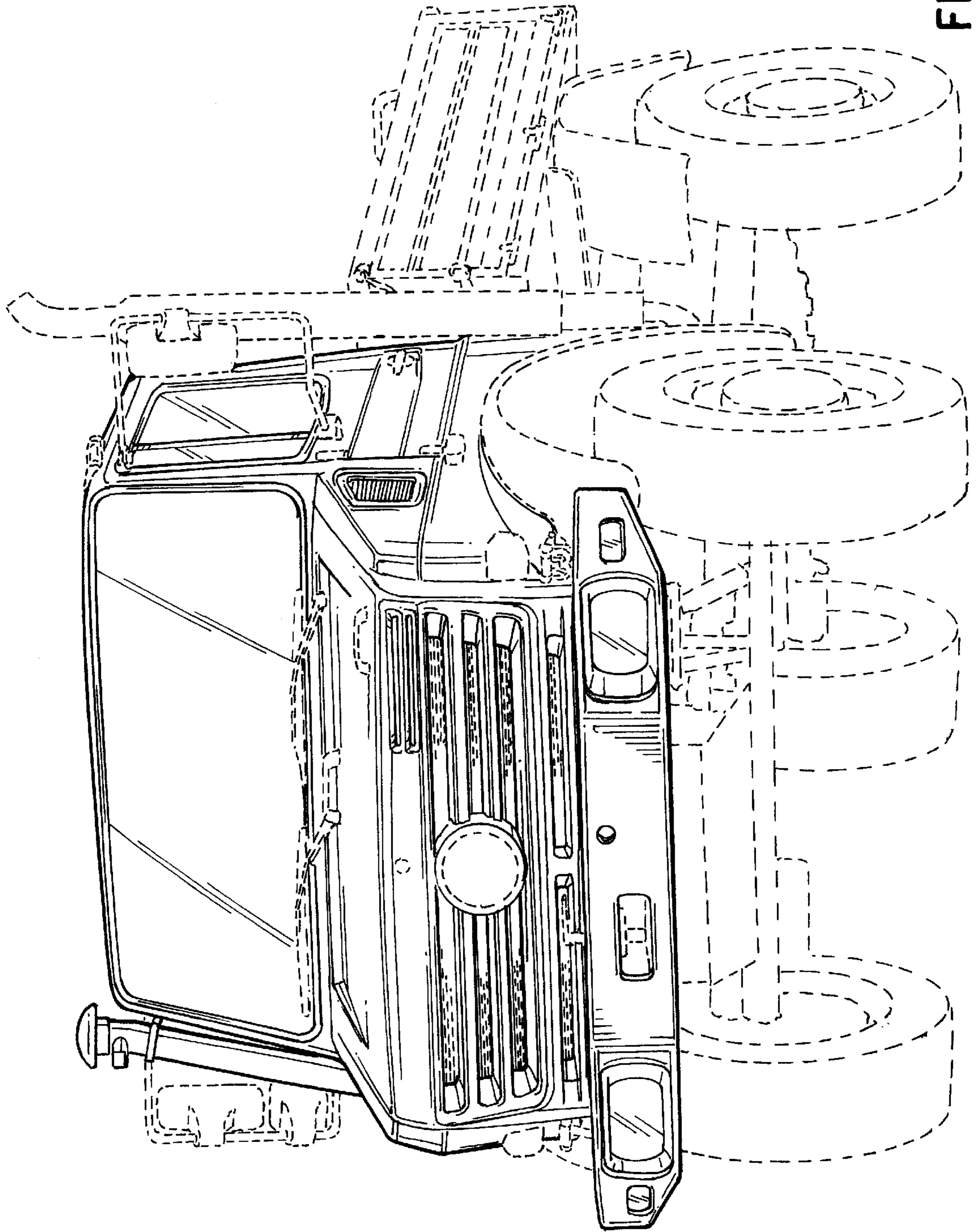


FIG. 2