



US00D475943S

(12) **United States Design Patent**
Runciman

(10) **Patent No.:** **US D475,943 S**

(45) **Date of Patent:** **** *Jun. 17, 2003**

(54) **FIRE DETECTOR CASING**

D377,321 S * 1/1997 Tomizawa D10/106
6,166,648 A * 12/2000 Wiemeyer et al. 340/578 X
D446,741 S * 8/2001 Johnson et al. D10/106

(75) Inventor: **Dunstan Walter Runciman,**
Zeekoeivlei (ZA)

* cited by examiner

(73) Assignee: **GSBS Development Corporation,**
Charlotte, NC (US)

Primary Examiner—Antoine Duval Davis
(74) *Attorney, Agent, or Firm*—Baker & Hostetler LLP

(*) Notice: This patent is subject to a terminal disclaimer.

(57) **CLAIM**

(**) Term: **14 Years**

The ornamental design for a fire detector casing, as shown and described.

(21) Appl. No.: **29/161,841**

DESCRIPTION

(22) Filed: **Jun. 6, 2002**

(30) **Foreign Application Priority Data**

Dec. 6, 2001 (ZA) A2001/1299

FIG. 1 is a perspective view of the side elevation of the casing, particularly showing the inventive design thereof;

(51) **LOC (7) Cl.** **10-05**

FIG. 2 is a bottom view thereof;

(52) **U.S. Cl.** **D10/106**

FIG. 3 is a top view thereof;

(58) **Field of Search** D10/106; 340/540,
340/545, 571-573, 577-578, 628-630

FIG. 4 is a front view thereof;

FIG. 5 is a rear view thereof;

FIG. 6 is a right view thereof; and,

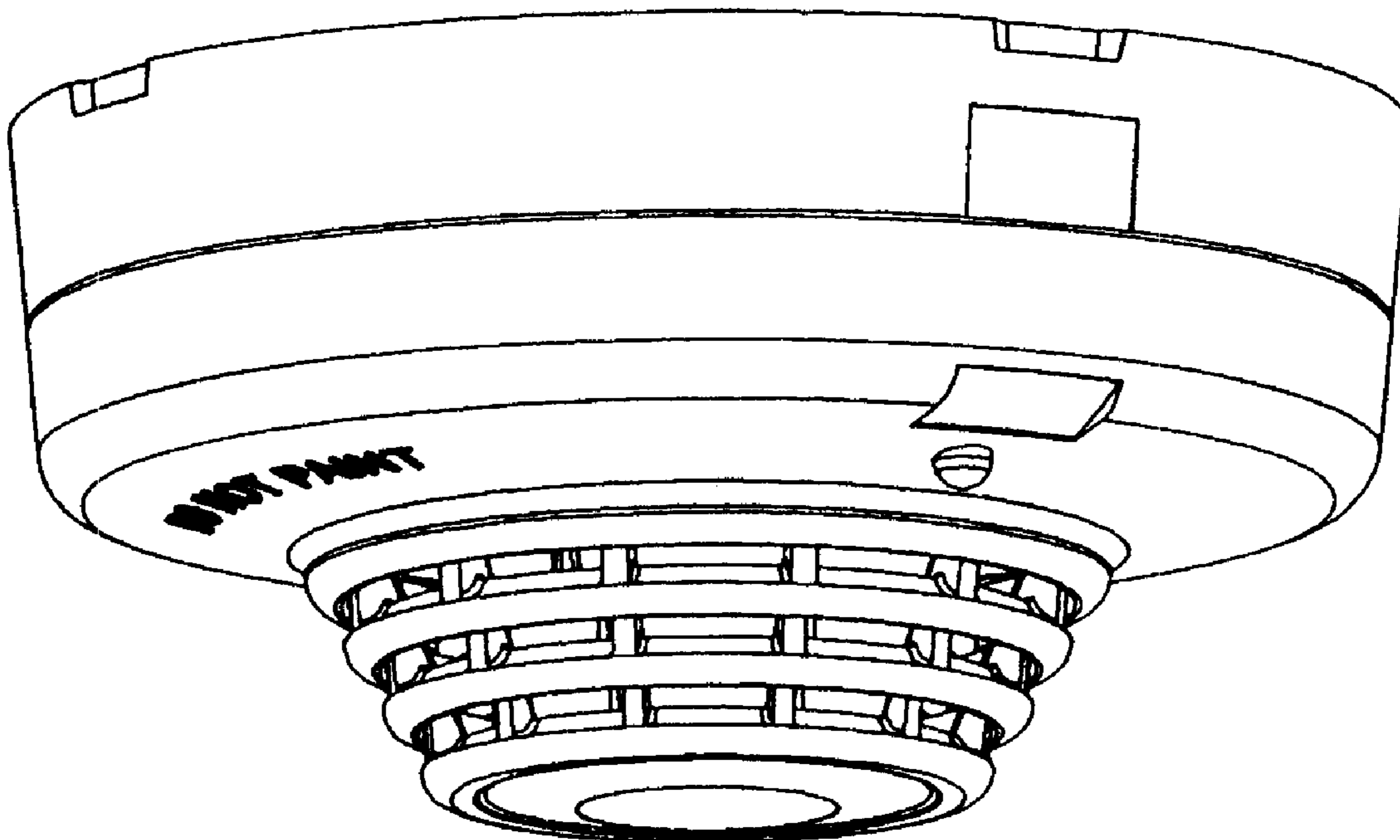
FIG. 7 is a left view thereof.

(56) **References Cited**

U.S. PATENT DOCUMENTS

D308,836 S * 6/1990 Fenne D10/106

1 Claim, 7 Drawing Sheets



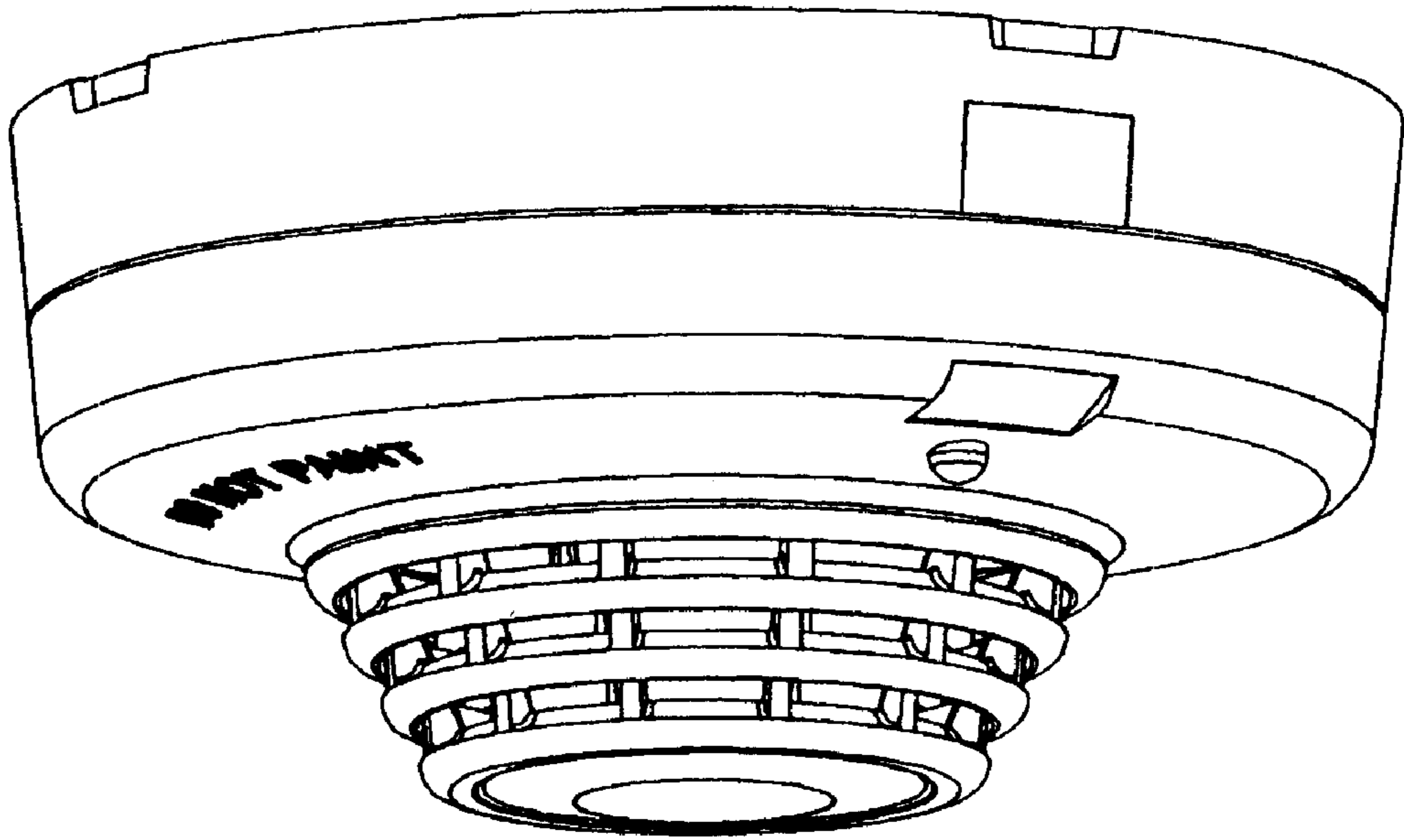


Fig. 1

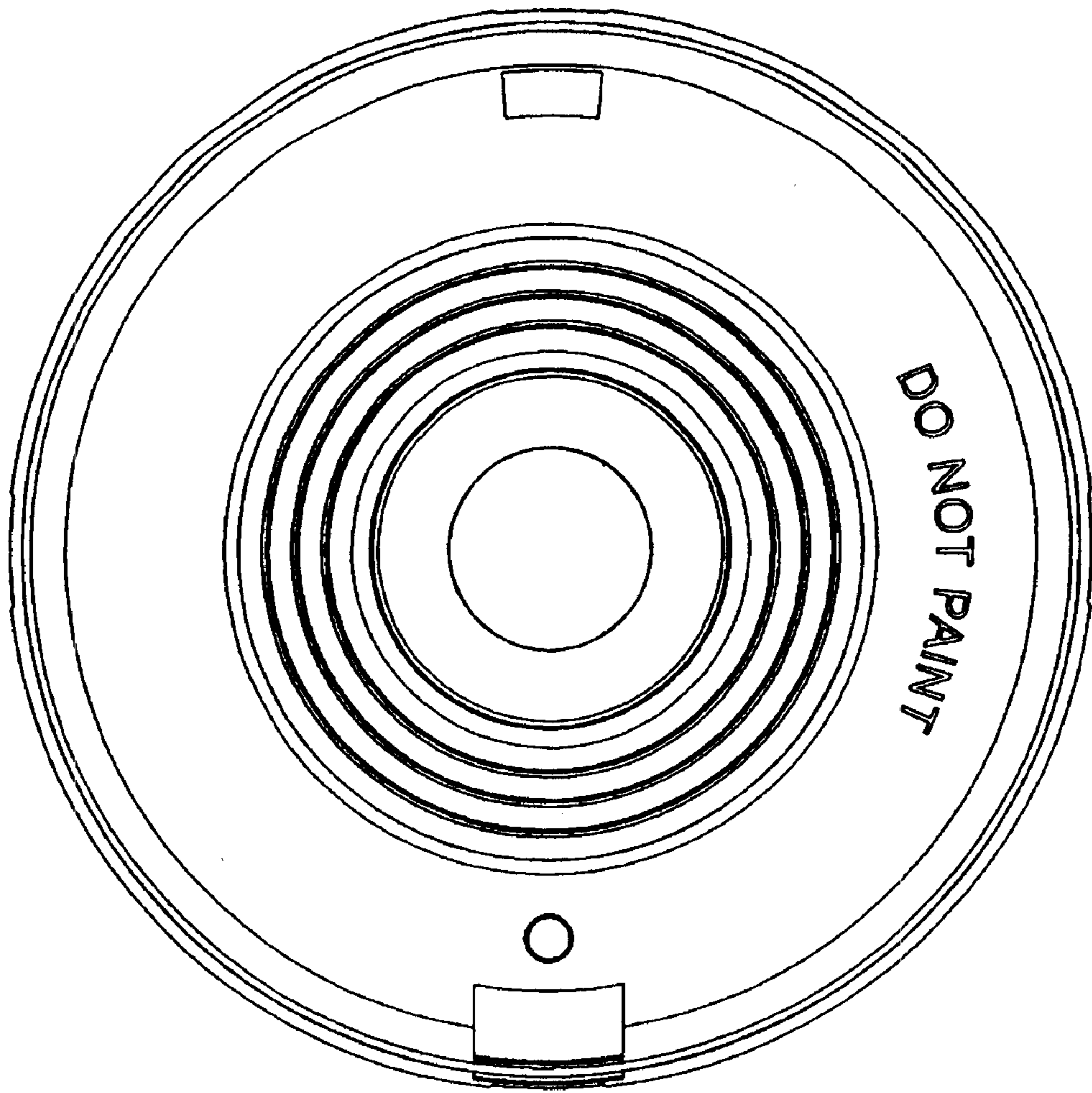


Fig. 2

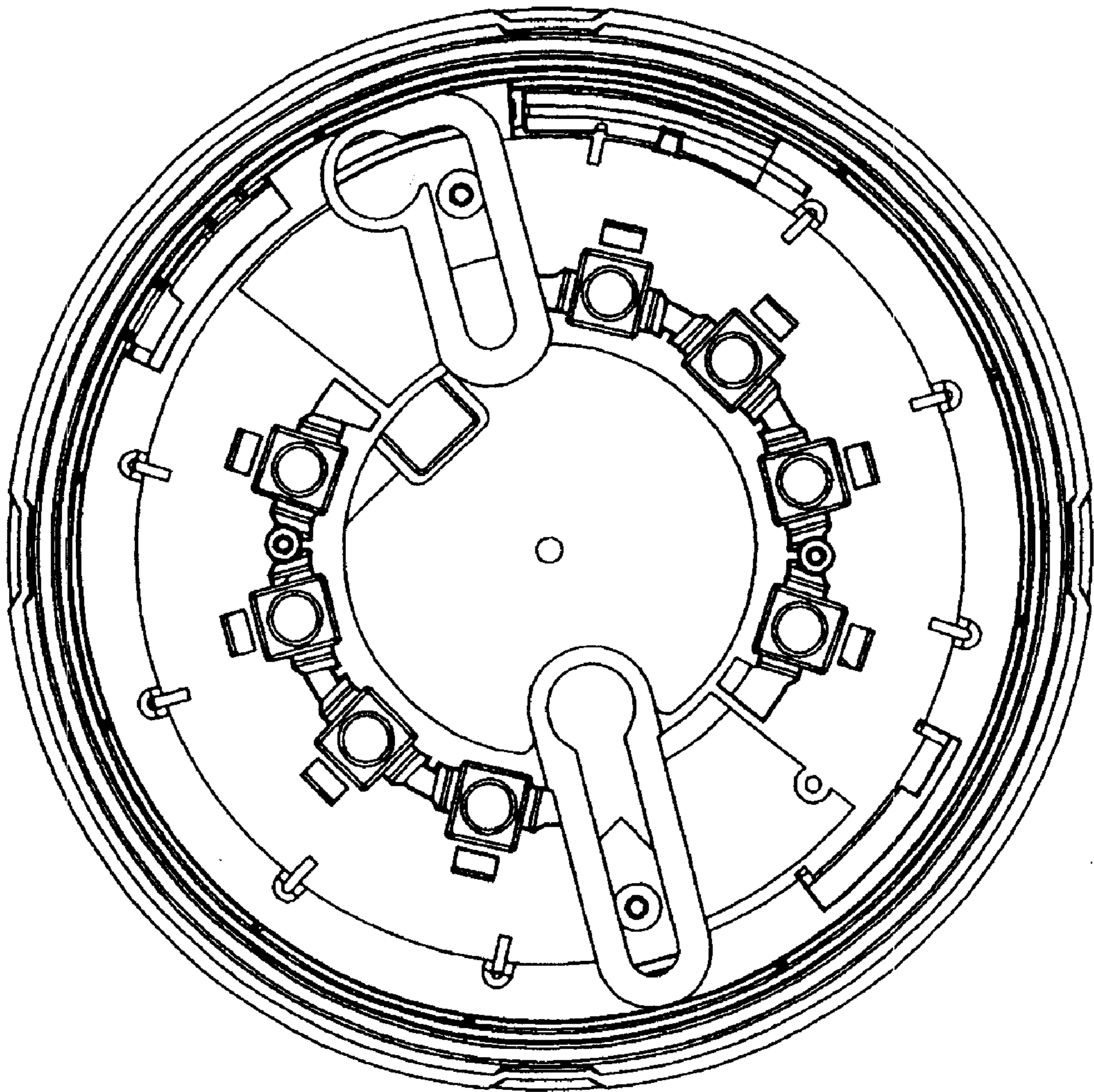


Fig. 3

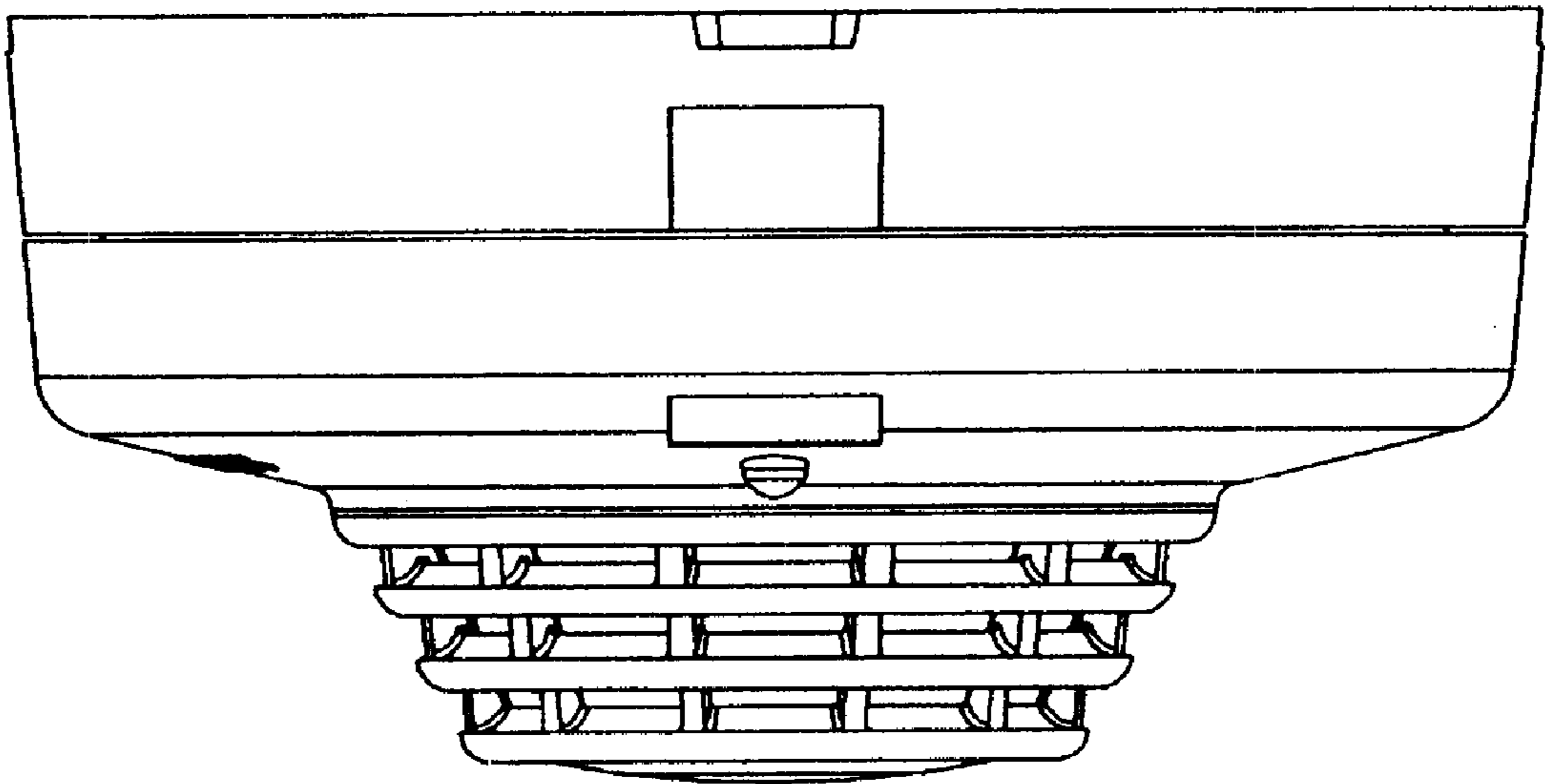


Fig. 4

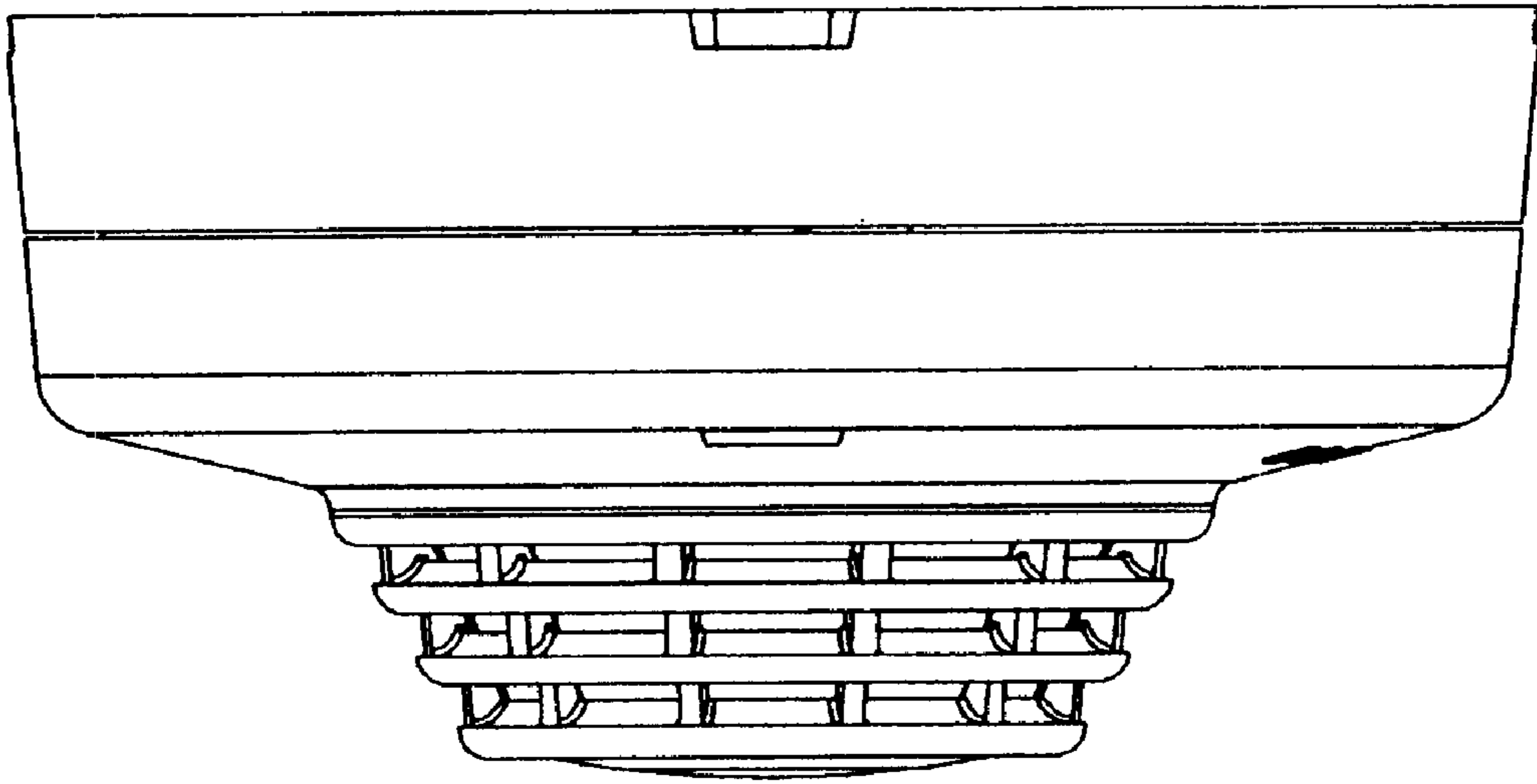


Fig. 5

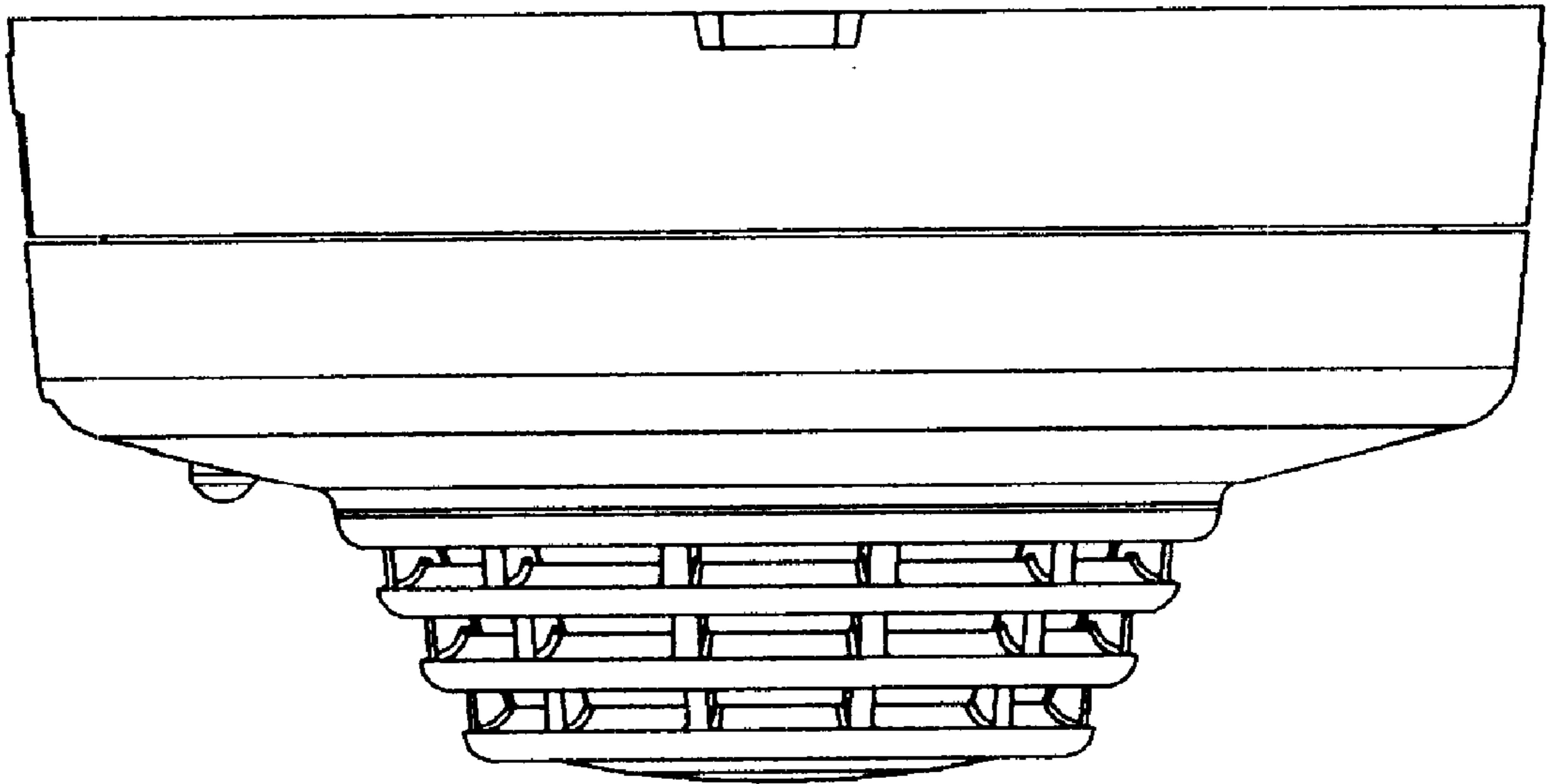


Fig. 6

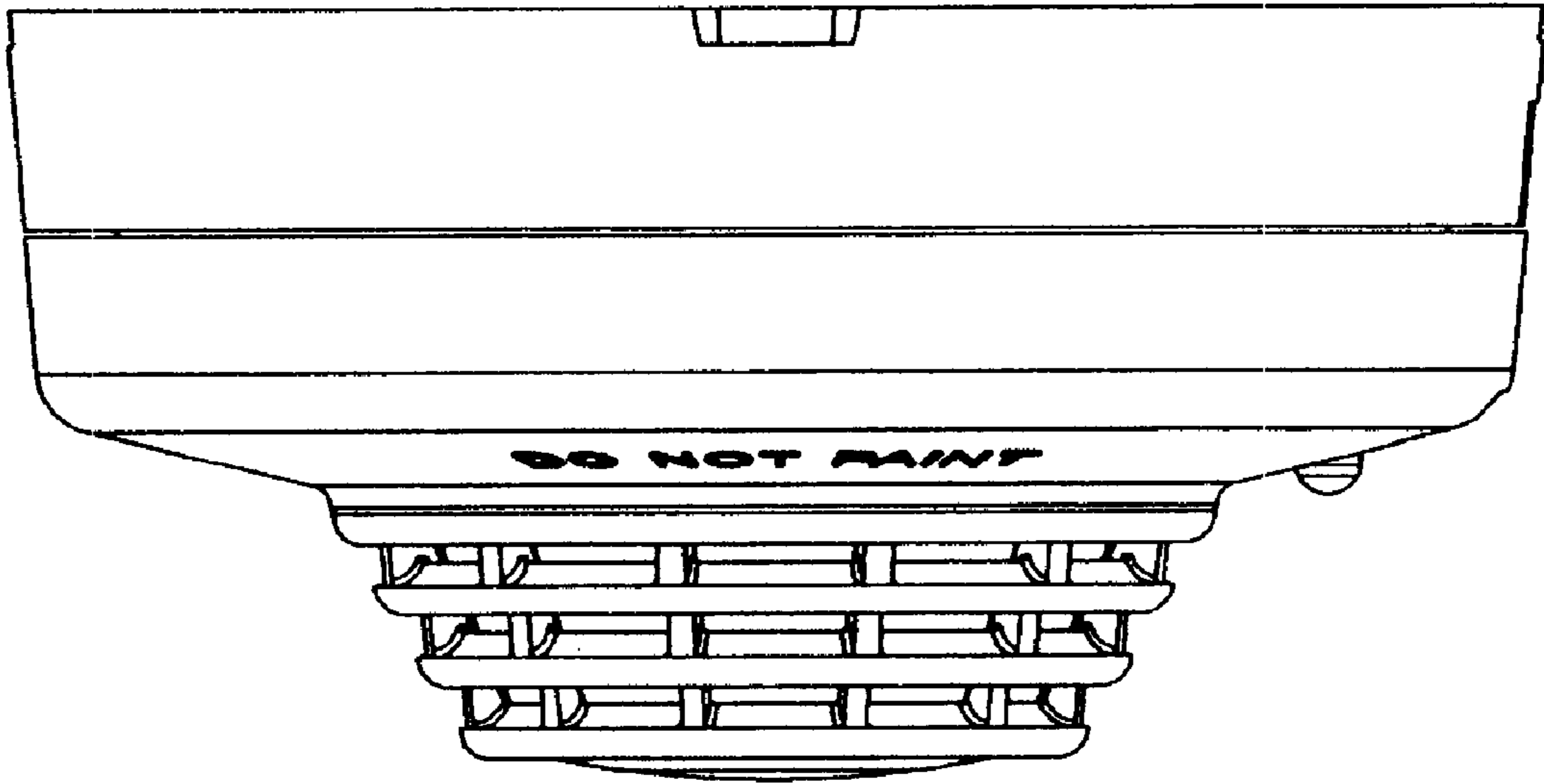


Fig. 7