



US00D475934S

(12) **United States Design Patent**  
**Bulgari**

(10) **Patent No.:** **US D475,934 S**

(45) **Date of Patent:** **\*\* Jun. 17, 2003**

(54) **WATCH CASE**

D462,281 S \* 9/2002 Wunderman ..... D10/39

(75) Inventor: **Gianni Bulgari**, Rome (IT)

**OTHER PUBLICATIONS**

(73) Assignee: **Gianni Bulgari SRL**, Rome (IT)

Jeweler's Circular—Keystone—Nov. 1982—p. 97—watches.\*

(\*\*) Term: **14 Years**

\* cited by examiner

(21) Appl. No.: **29/167,280**

*Primary Examiner*—Nelson C. Holtje

(22) Filed: **Sep. 12, 2002**

(74) *Attorney, Agent, or Firm*—Sughrue Mion, PLLC

(30) **Foreign Application Priority Data**

Apr. 3, 2002 (WO) ..... DMA/005 679

(51) **LOC (7) Cl.** ..... **10-02**

(52) **U.S. Cl.** ..... **D10/30**

(58) **Field of Search** ..... D10/1-40, 122-132;  
368/280-282, 276-277, 285

(57) **CLAIM**

The ornamental design for a watch case, as shown and described.

(56) **References Cited**

**DESCRIPTION**

**U.S. PATENT DOCUMENTS**

- 1,900,343 A \* 3/1933 Howard ..... 368/282
- D382,211 S \* 8/1997 Bodino ..... D10/30
- D403,599 S \* 1/1999 Emmenegger ..... D10/39
- D410,198 S \* 5/1999 Hysek ..... D10/30

FIG. 1 is a perspective view of the front and right side of a watch case showing my new design;  
 FIG. 2 is a front view thereof;  
 FIG. 3 is a rear view thereof;  
 FIG. 4 is a right side view thereof;  
 FIG. 5 is a left side view thereof;  
 FIG. 6 is a view of one end thereof; and,  
 FIG. 7 is a view of an opposite end thereof.

**1 Claim, 2 Drawing Sheets**

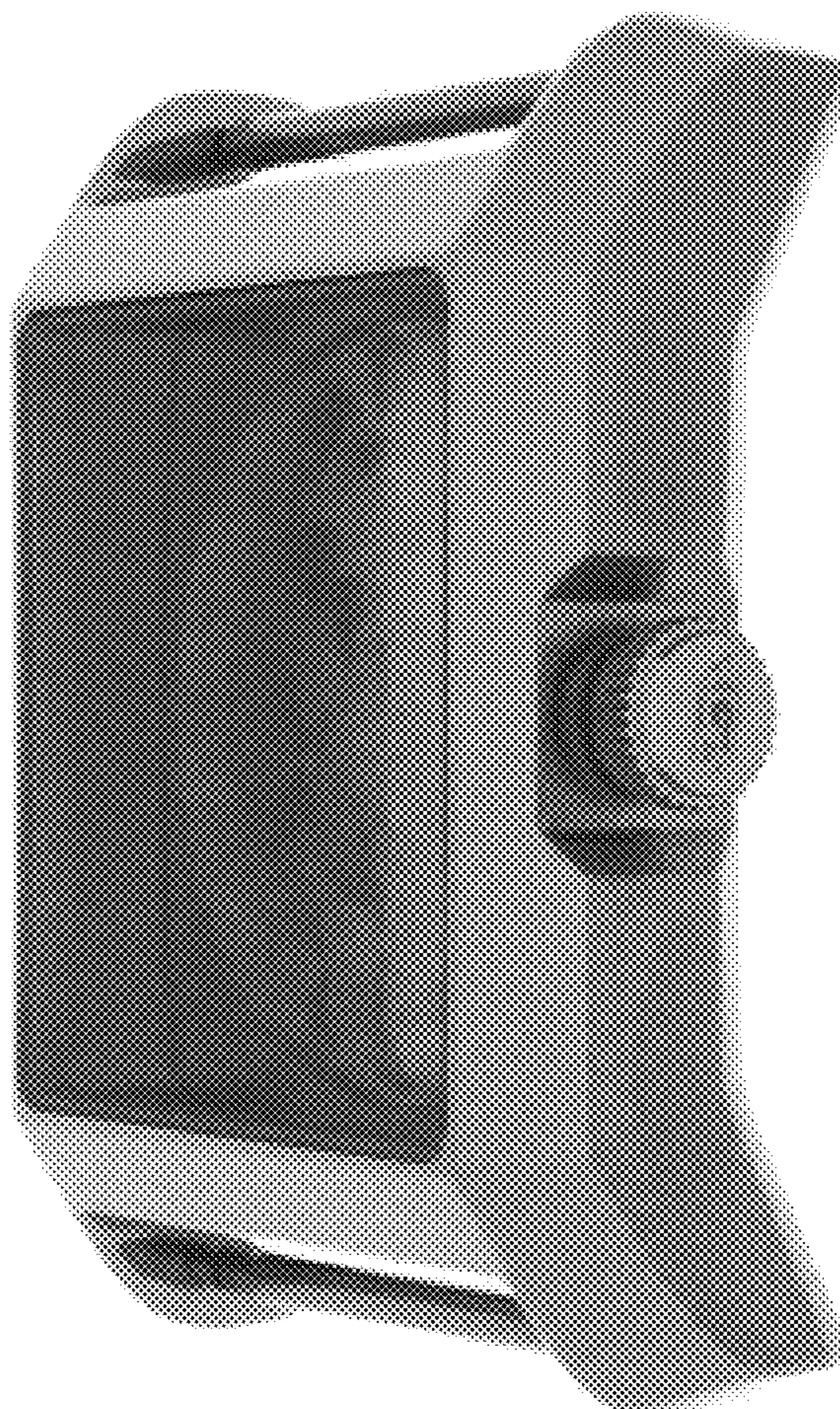


FIG. 1

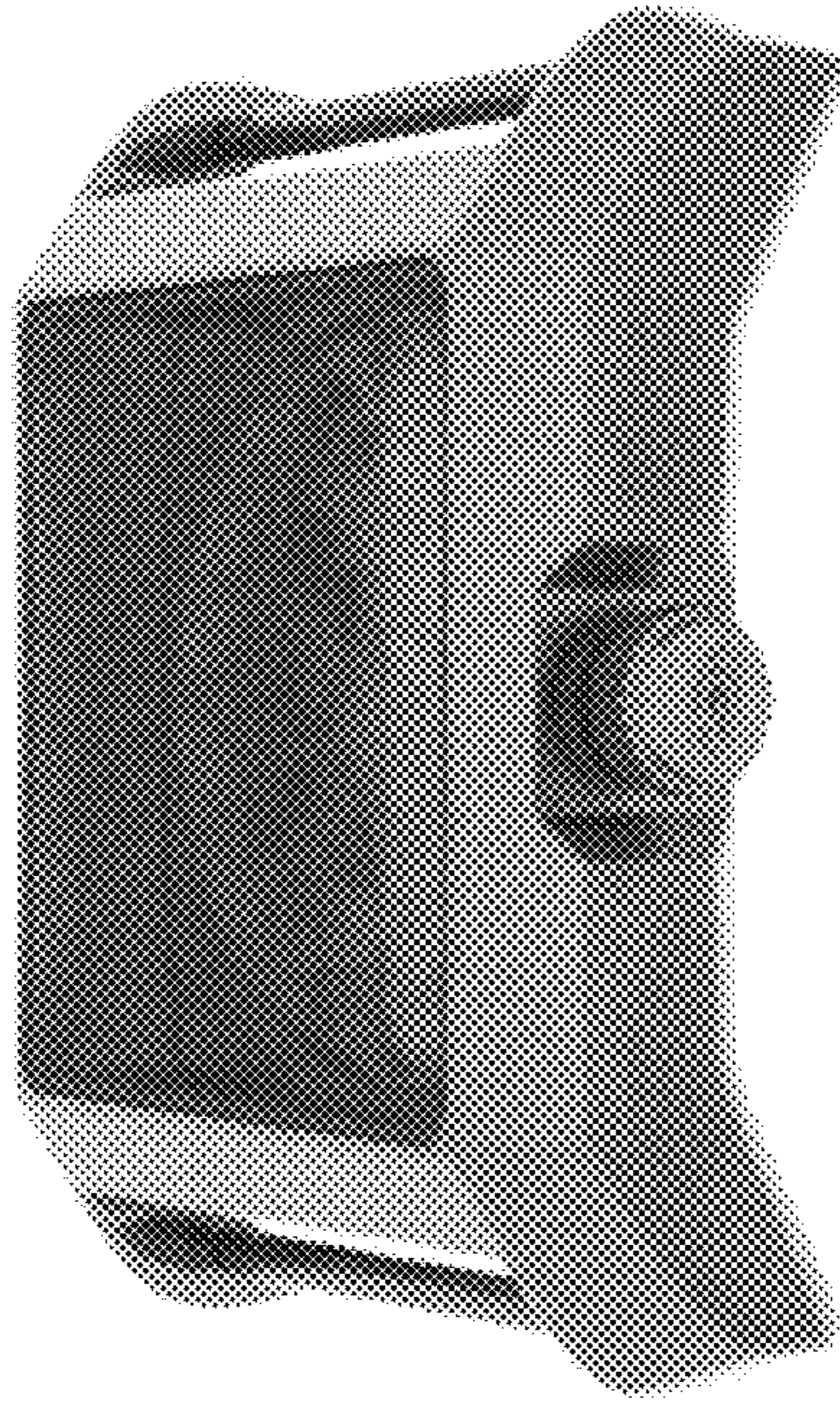


FIG. 2

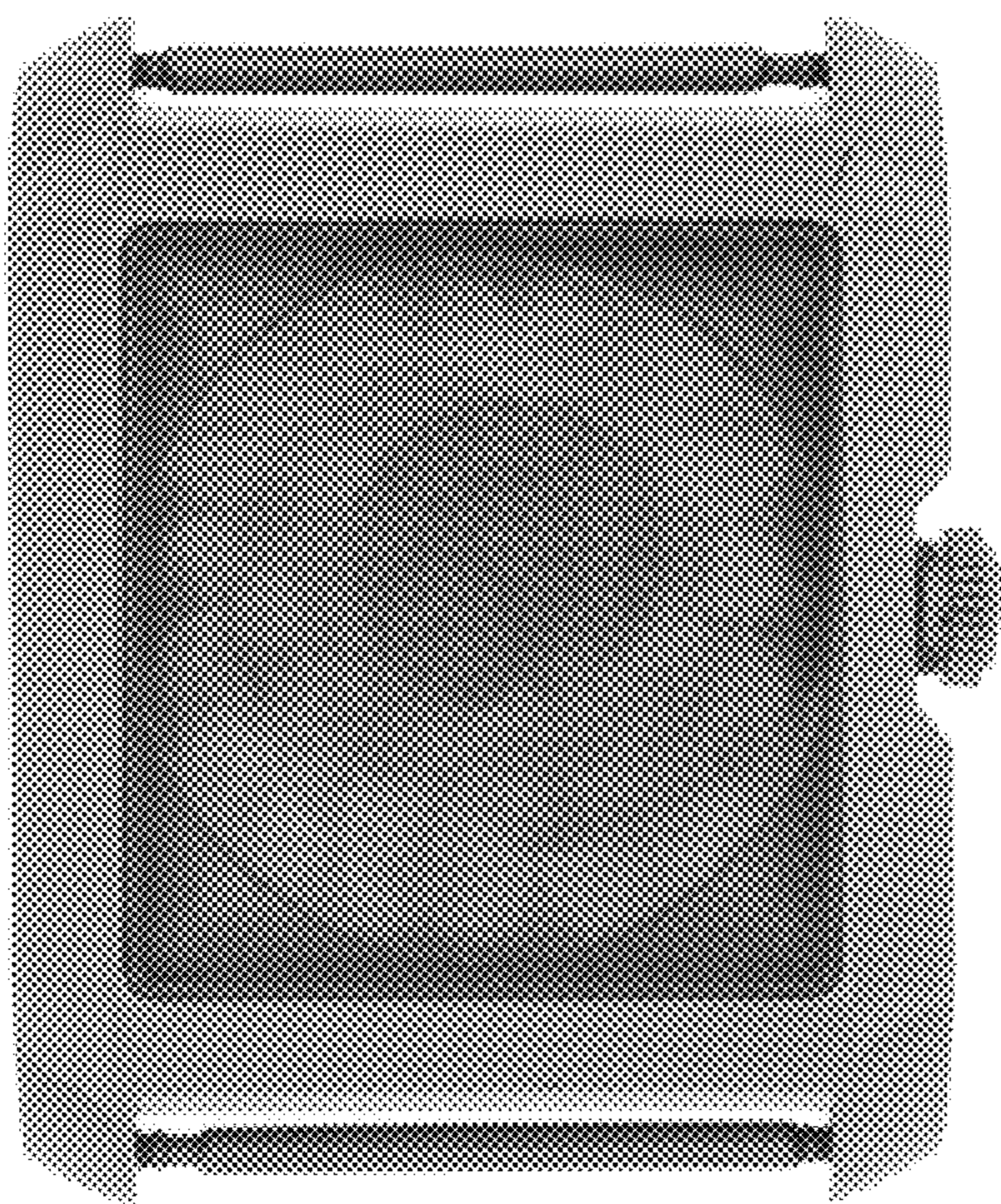


FIG. 3

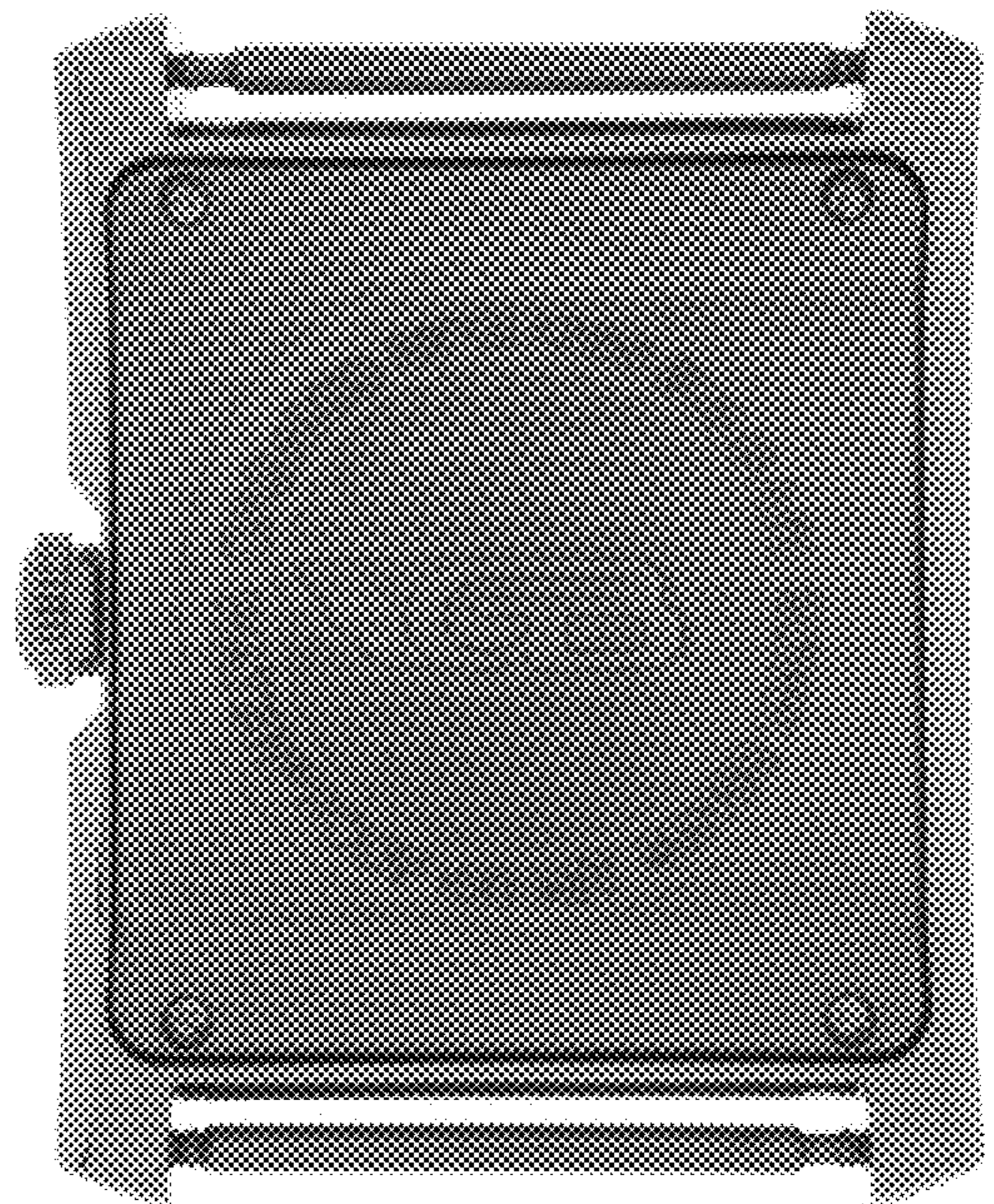


FIG. 4

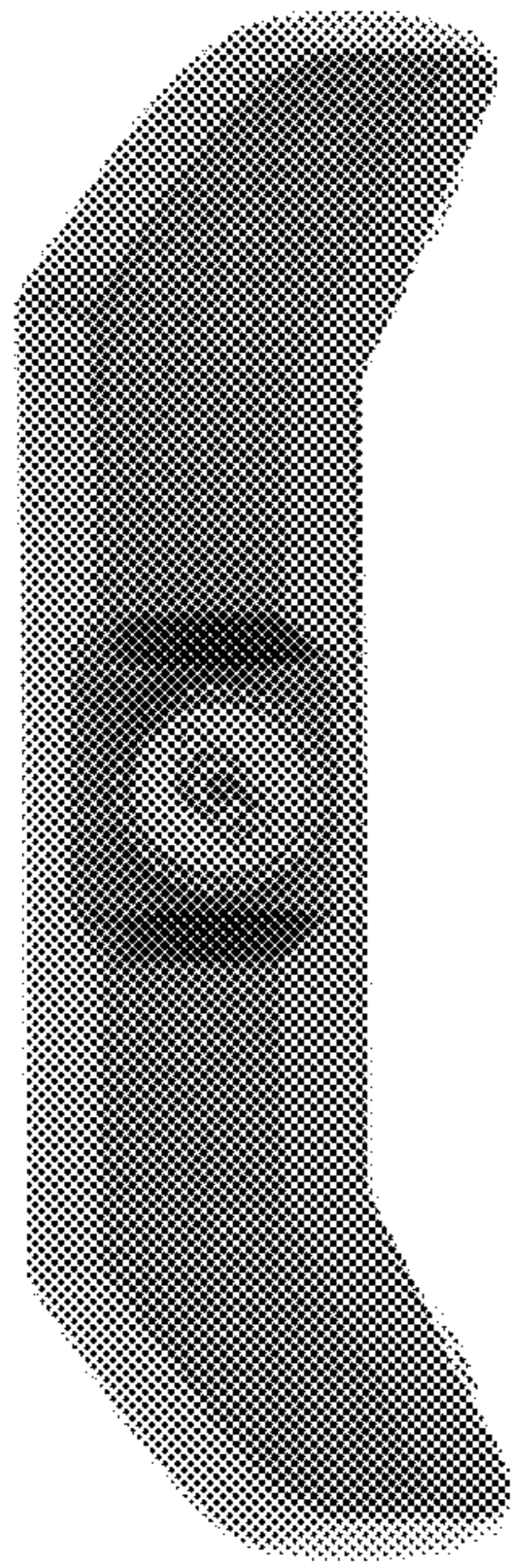


FIG. 6

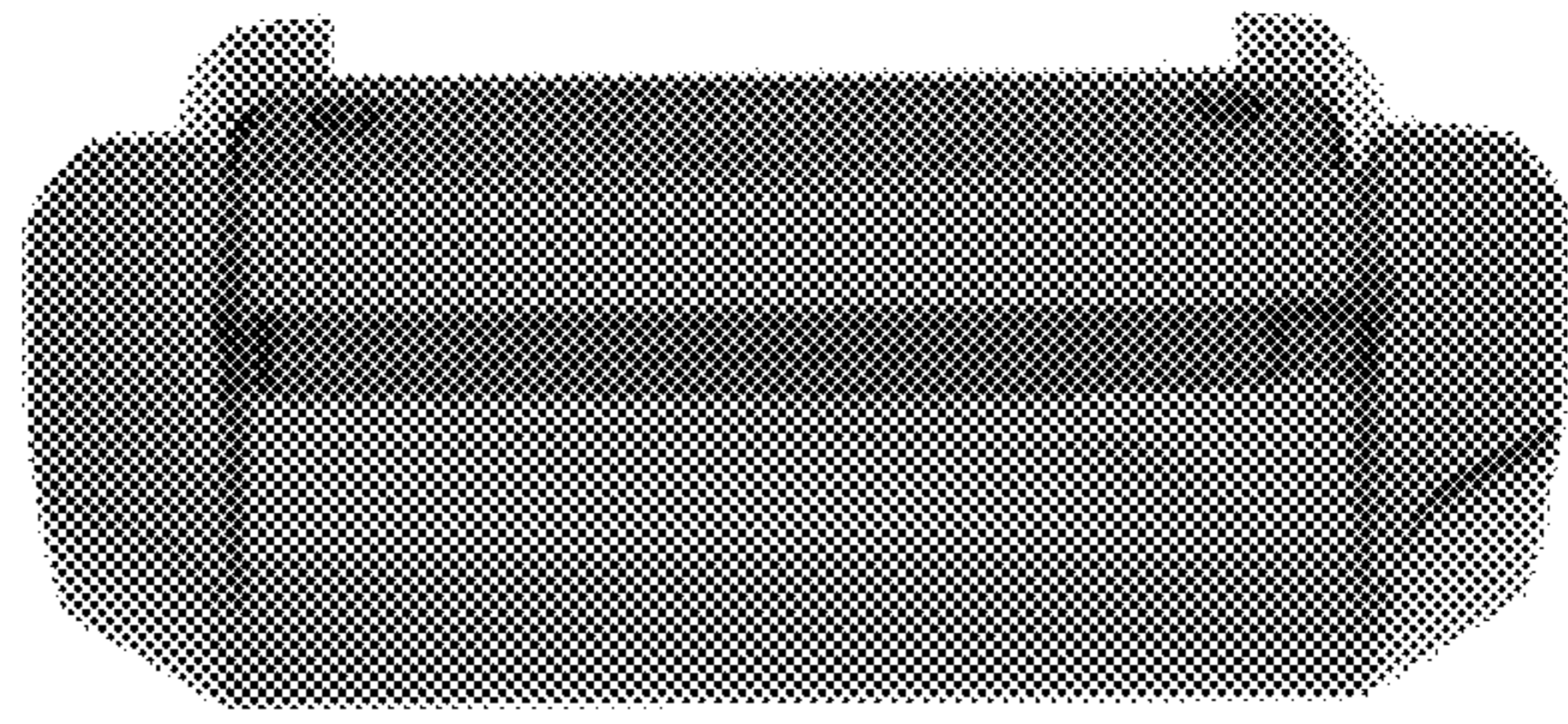


FIG. 5

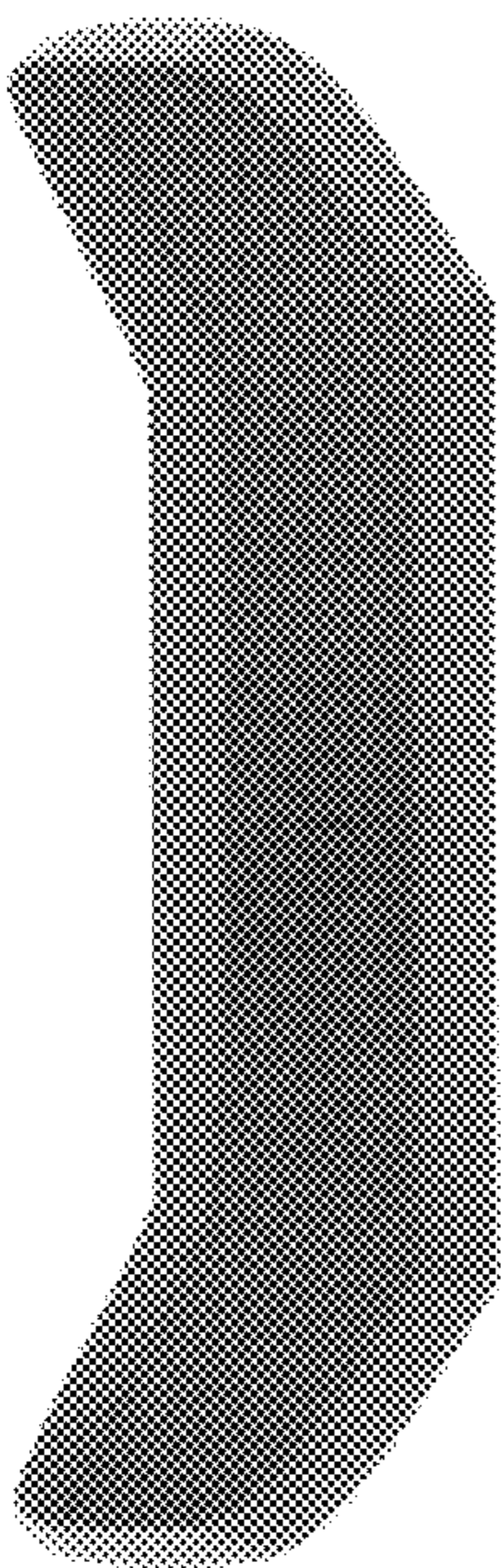


FIG. 7

