



US00D475930S

(12) **United States Design Patent**  
**Chang**

(10) **Patent No.:** **US D475,930 S**

(45) **Date of Patent:** **\*\* Jun. 17, 2003**

(54) **MAGNIFYING GLOBE CLOCK**

D467,186 S \* 12/2002 Chen ..... D10/15

(76) **Inventor:** **Eddie Chang**, Unit A & C, 2/F, Leroy Plaza, 15 Cheung Shun St., Cheung Sha Wan, Kowloon (HK)

\* cited by examiner

*Primary Examiner*—Nelson C. Holtje

(74) *Attorney, Agent, or Firm*—Robert M. Downey P.A.

(\*\*) **Term:** **14 Years**

(57) **CLAIM**

(21) **Appl. No.:** **29/168,493**

The ornamental design for a magnifying globe clock, as shown and described.

(22) **Filed:** **Oct. 2, 2002**

**DESCRIPTION**

(51) **LOC (7) Cl.** ..... **10-01**

(52) **U.S. Cl.** ..... **D10/1; D10/21; D6/314**

(58) **Field of Search** ..... D10/1-40, 122-132; 368/276-277, 285, 10, 316-317; D6/300, 314; 40/728, 722-723

FIG. 1 is a top perspective view of a magnifying globe clock showing my new design;

FIG. 2 is a right side elevational view thereof, the left side elevational view being identical thereto;

FIG. 3 is a front elevational view thereof, the rear elevational view being identical thereto;

FIG. 4 is a top plan view thereof, the bottom plan view being identical thereto; and,

FIG. 5 is an exploded top perspective view of the magnifying globe clock of FIG. 1, the bottom exploded perspective view being identical thereto.

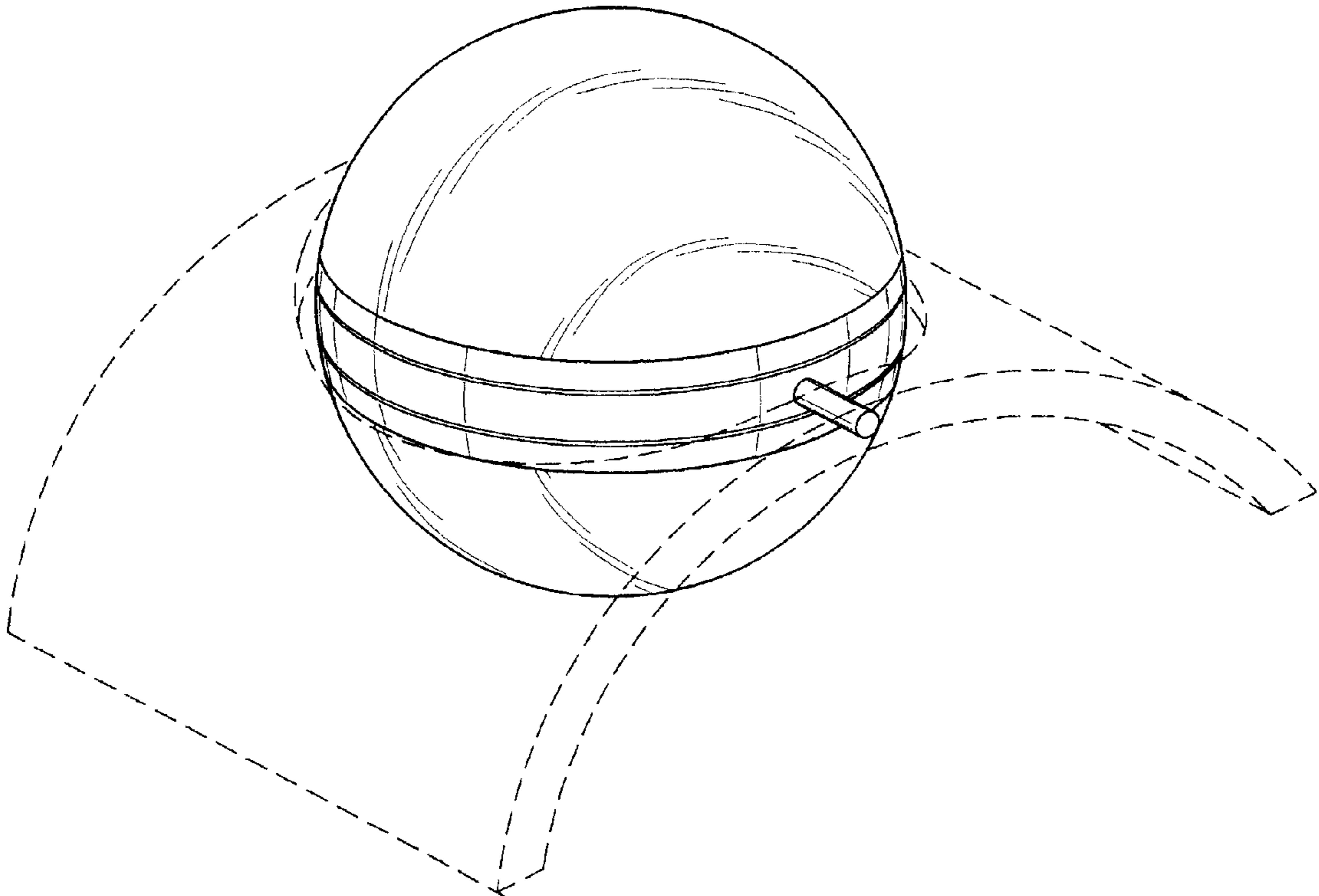
The broken lines showing the arched base supporting the magnifying globe clock in FIG. 1 and the threads in FIG. 5 are for illustrative purposes only and form no part of the claimed design.

(56) **References Cited**

**U.S. PATENT DOCUMENTS**

D98,769 S	*	3/1936	Horwitt	.....	D10/15
D158,699 S	*	5/1950	Wasilevich	.....	D6/314 X
D275,062 S	*	8/1984	Sorko-Ram et al.	.....	D6/300
D326,614 S	*	6/1992	Hwang	.....	D10/15
D358,550 S	*	5/1995	Takashima	.....	D10/24
D359,696 S	*	6/1995	Lee	.....	D10/28
D361,040 S	*	8/1995	Shinozaki	.....	D10/23
D369,299 S	*	4/1996	Ling	.....	D10/15
D375,411 S	*	11/1996	Hawkins	.....	D6/314
D384,824 S	*	10/1997	Johnson	.....	D6/314

**1 Claim, 2 Drawing Sheets**



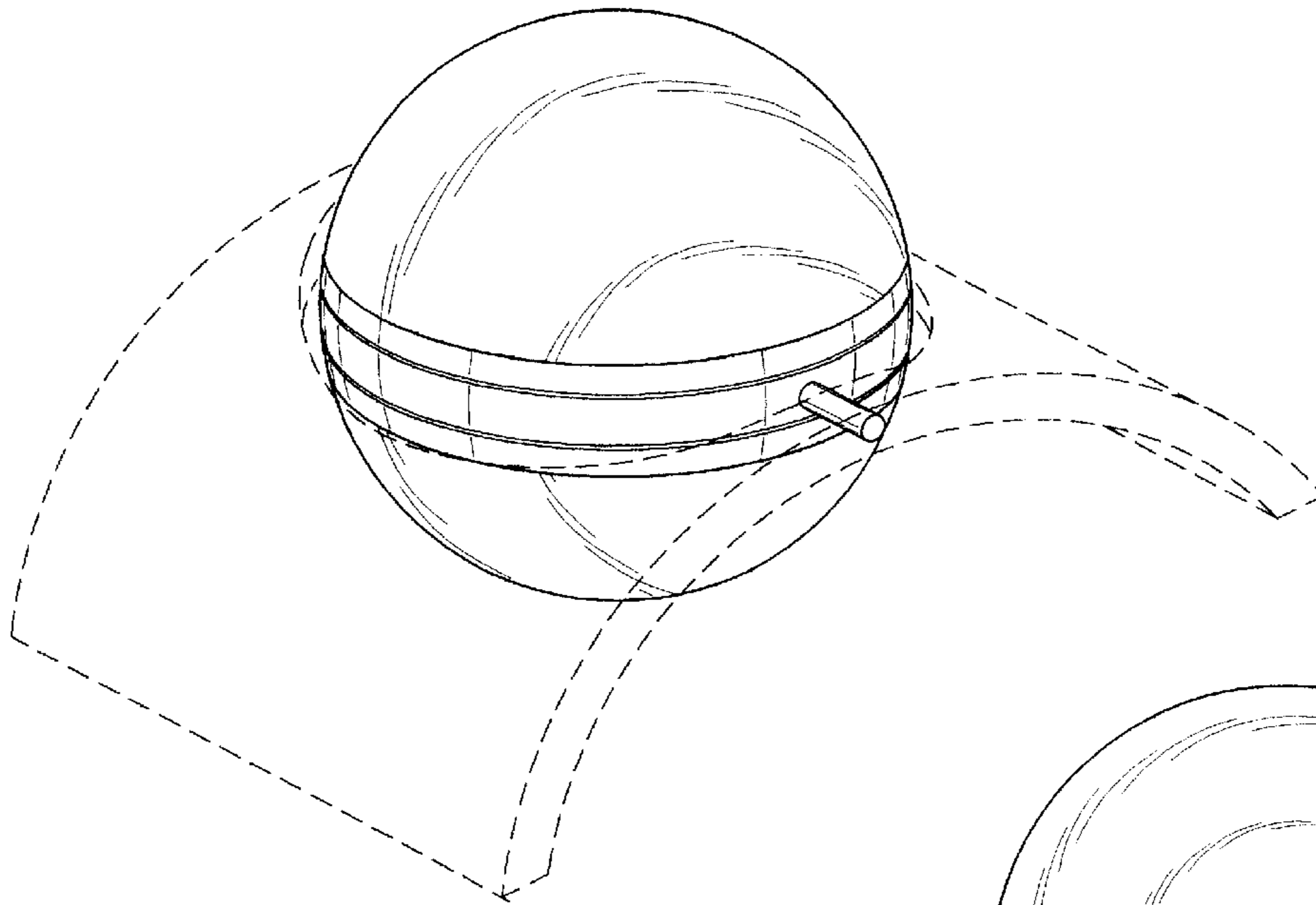


FIG. 1

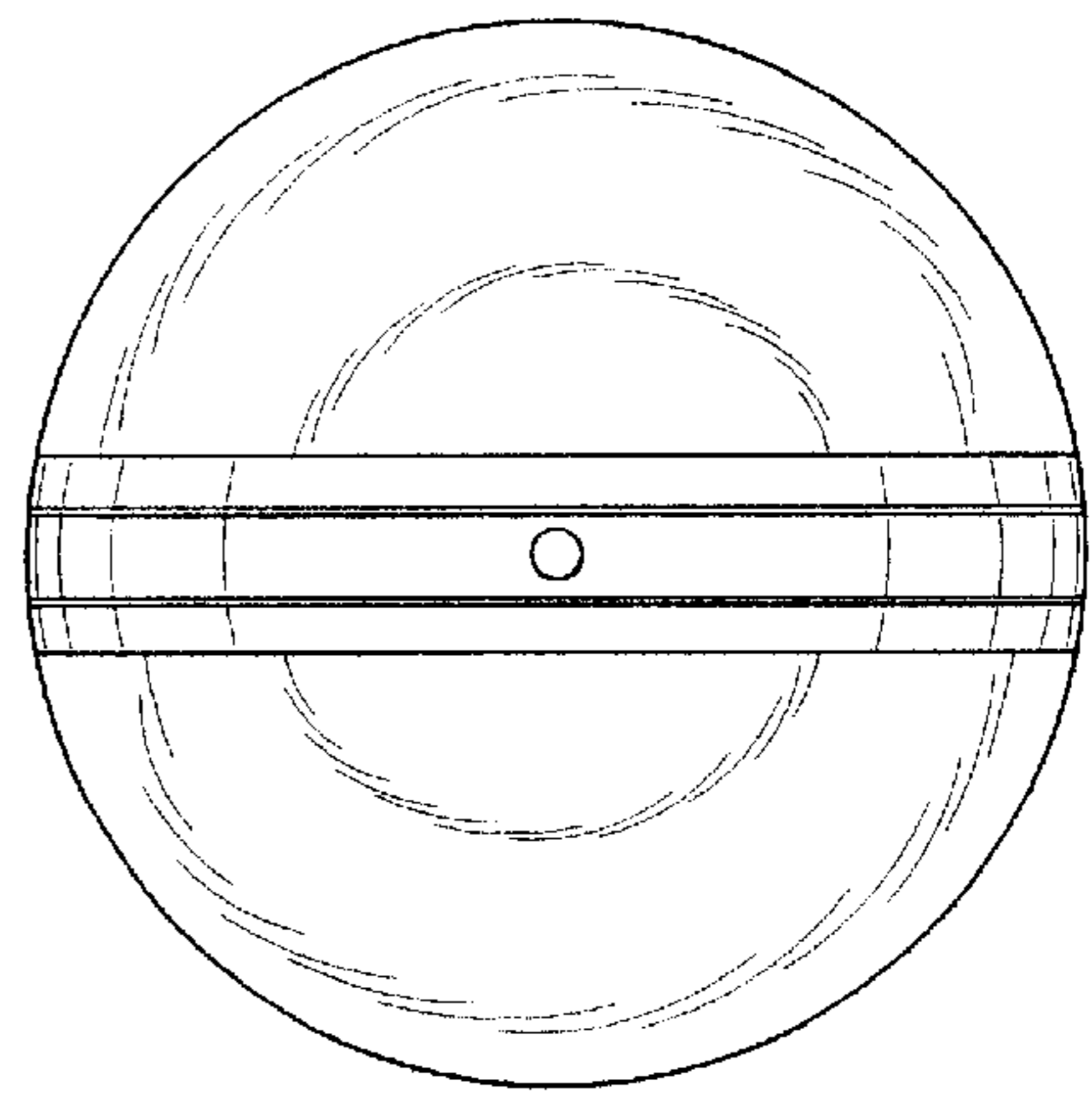


FIG. 2

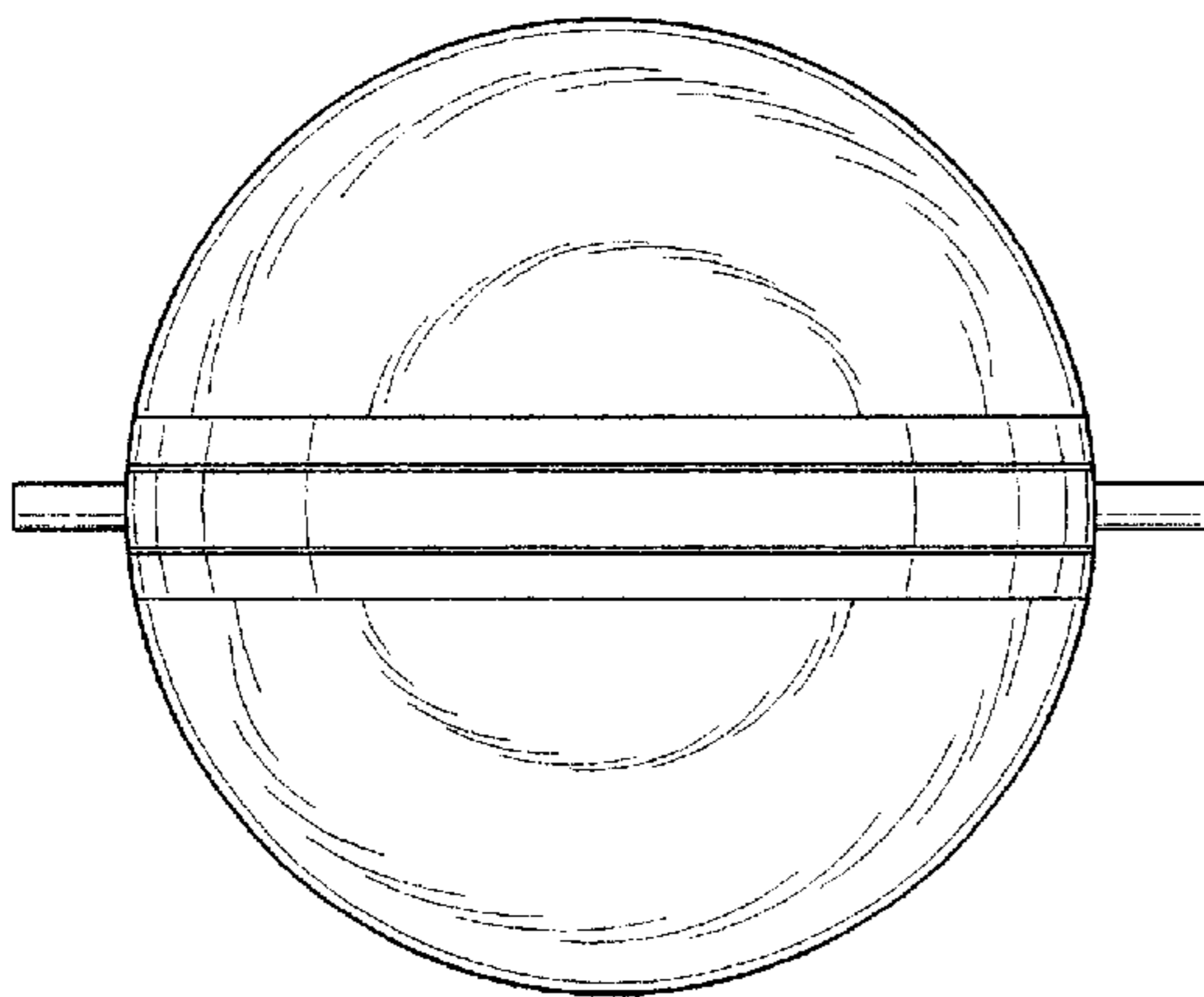


FIG. 3

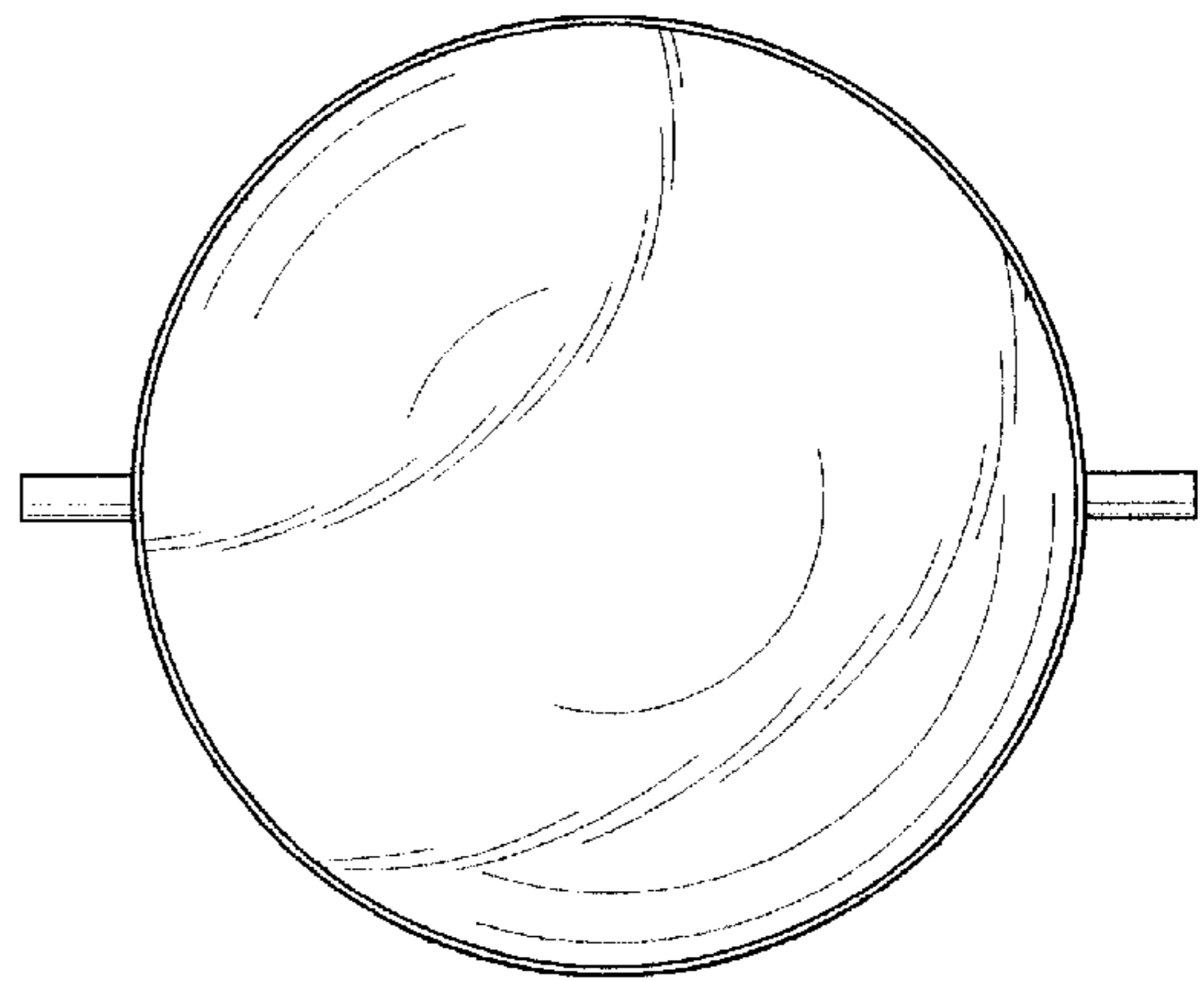


FIG. 4

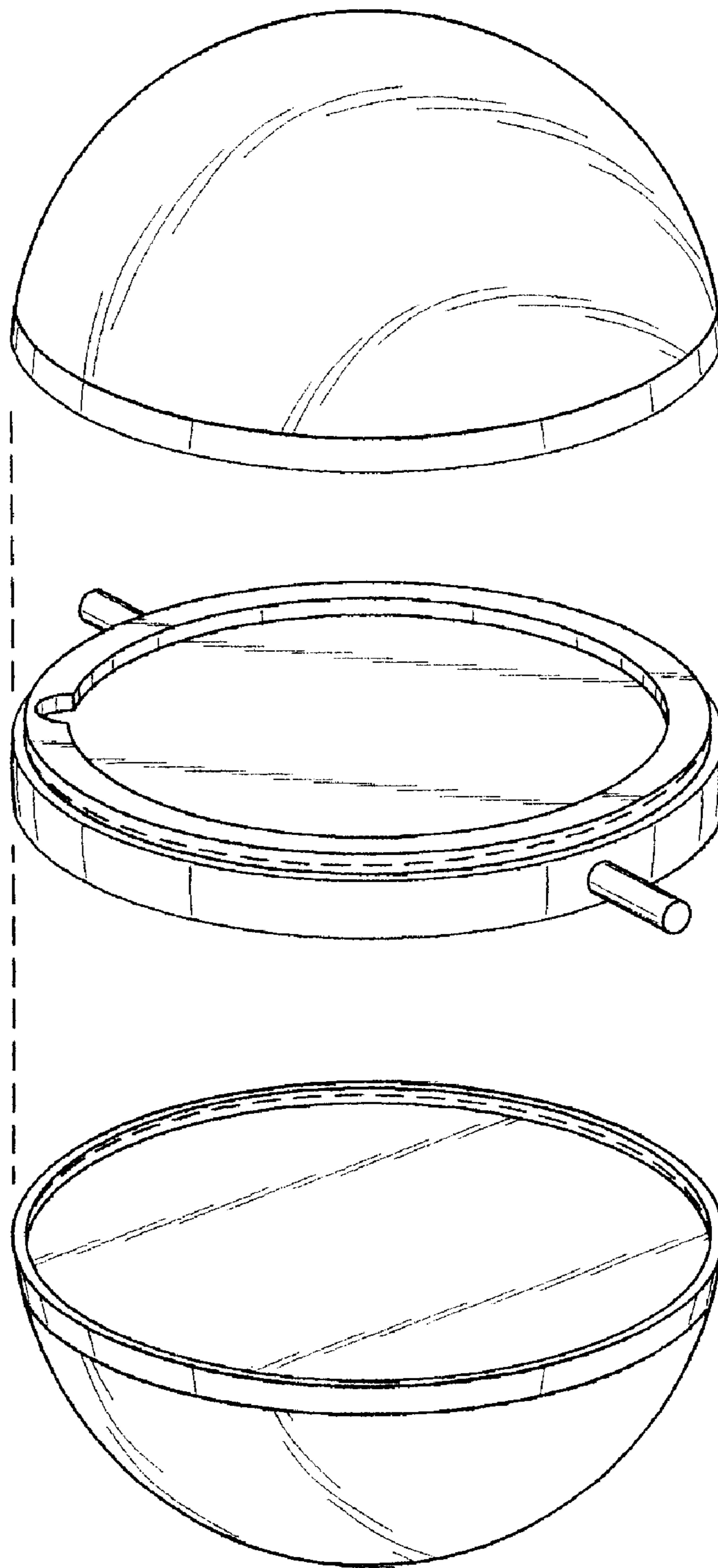


FIG. 5