



US00D475924S

(12) **United States Design Patent**
Haffner

(10) **Patent No.:** **US D475,924 S**

(45) **Date of Patent:** **** Jun. 17, 2003**

(54) **CLOSURE**

(75) **Inventor:** **Eugene F. Haffner**, Waterville, OH (US)

(73) **Assignee:** **Owens-Illinois Closure Inc.**, Toledo, OH (US)

(**) **Term:** **14 Years**

(21) **Appl. No.:** **29/158,372**

(22) **Filed:** **Apr. 3, 2002**

(51) **LOC (7) Cl.** **09-07**

(52) **U.S. Cl.** **D9/453; D9/452; D9/454; D9/435**

(58) **Field of Search** **D9/435, 452, 453, D9/454, 436; 215/329, 252**

(56) **References Cited**

U.S. PATENT DOCUMENTS

| | | | |
|-------------|----------|---------------|---------------|
| D102,368 S | 10/1936 | Higgins | |
| D111,099 S | 4/1938 | Wilmet | |
| D157,253 S | 2/1950 | Gruber | |
| D162,894 S | 4/1951 | Soffer | |
| 4,157,144 A | * 6/1979 | Weiler et al. | 215/252 |
| D284,555 S | 7/1986 | Schornagel | |
| D292,381 S | 10/1987 | Kowollik | |

| | | | |
|-------------|-----------|-------------|--------------|
| D292,492 S | * 10/1987 | Ross et al. | D9/453 |
| D304,301 S | * 10/1989 | Moss et al. | D9/436 |
| 4,917,269 A | 4/1990 | Fuchs | |
| 5,078,288 A | 1/1992 | Fuchs | |
| 5,727,703 A | 3/1998 | Fuchs | |
| D443,820 S | 6/2001 | Crawford | |
| D444,383 S | 7/2001 | Crawford | |
| D453,109 S | * 1/2002 | Piquet | D9/453 |

* cited by examiner

Primary Examiner—Louis S. Zarfes
Assistant Examiner—Gregory Andoll

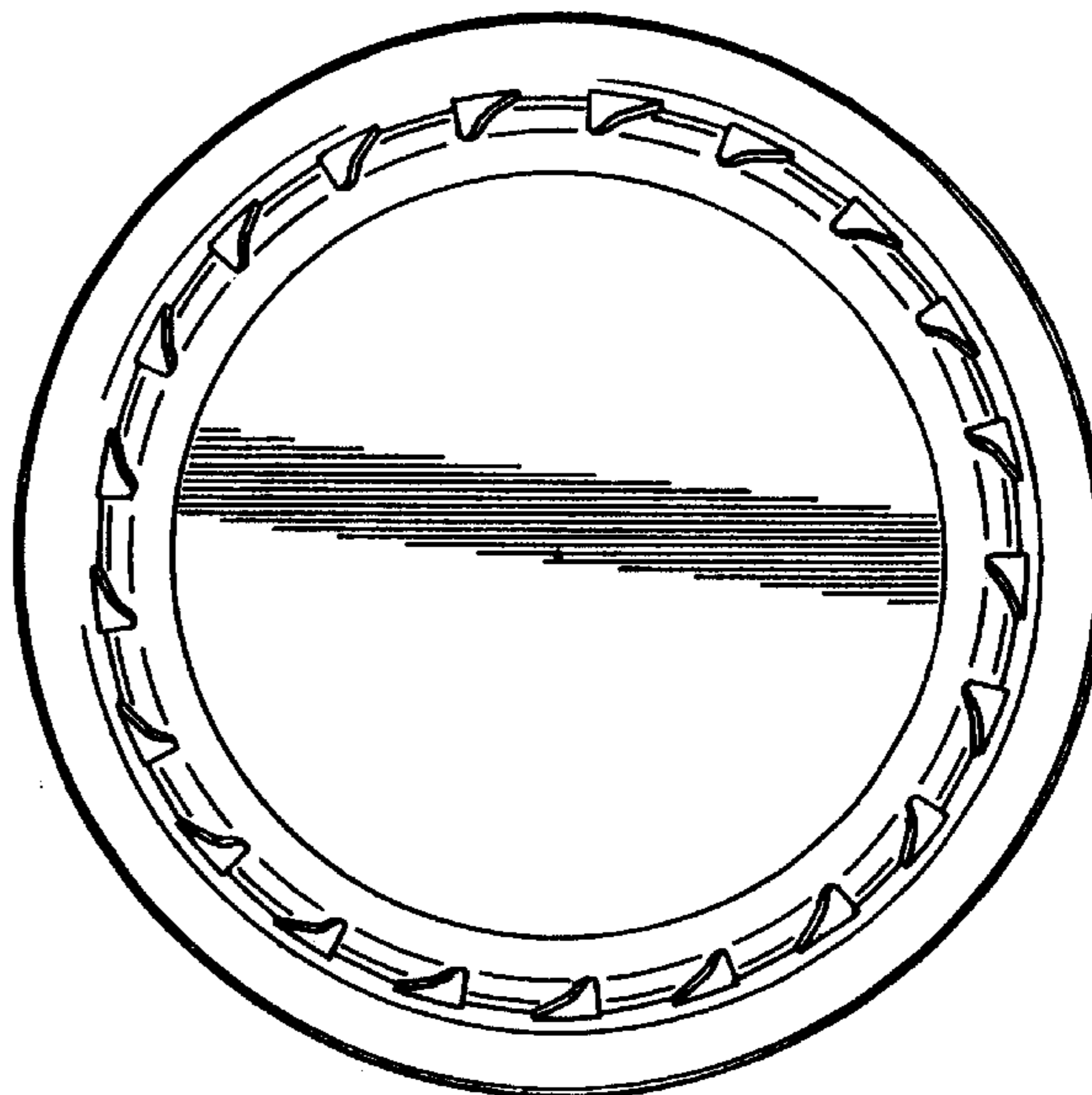
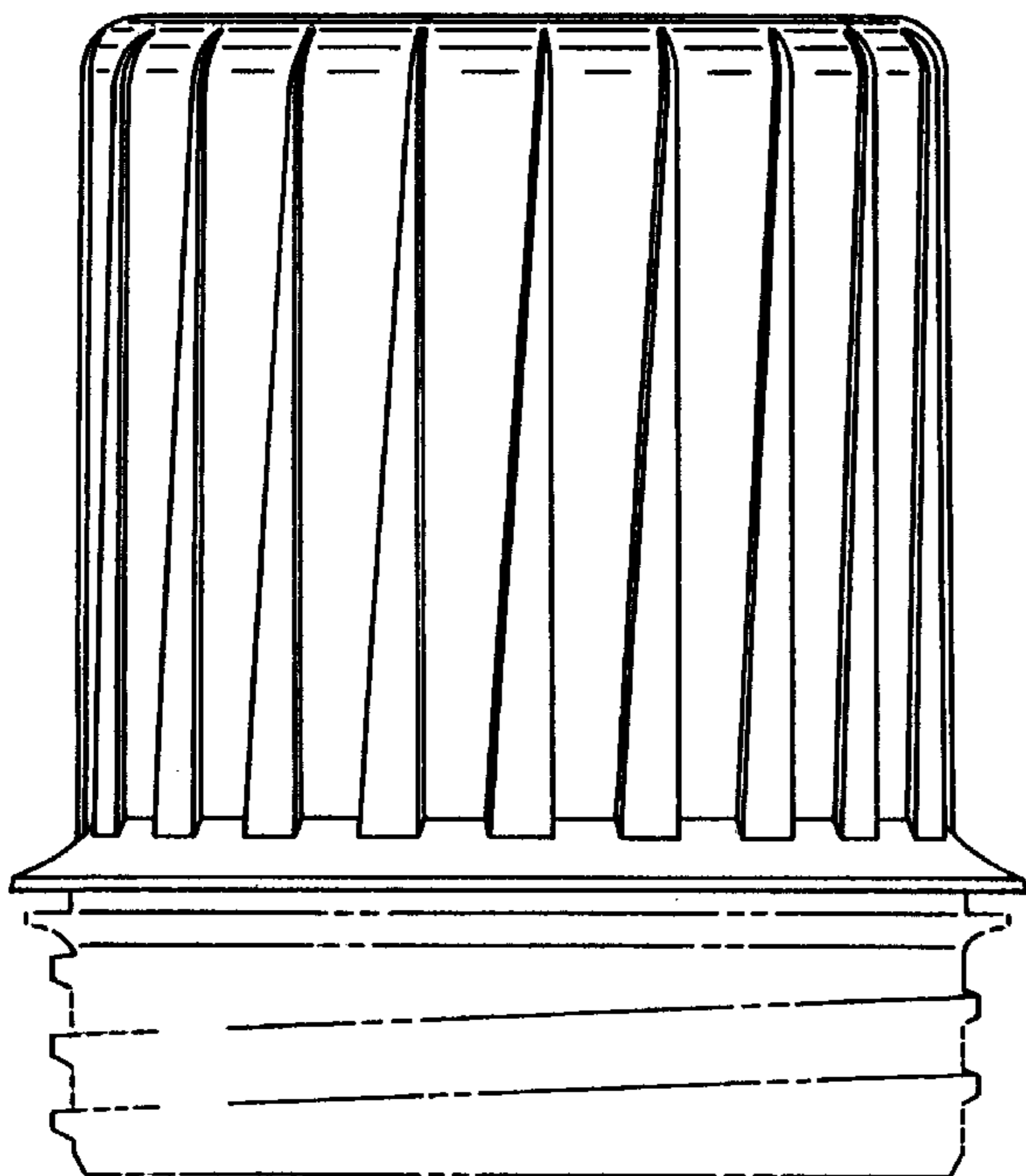
(57) **CLAIM**

I claim the ornamental design for a closure, as shown and described.

DESCRIPTION

FIG. 1 is a perspective view of the closure;
FIG. 2 is a side elevational view of the closure, side elevational views from other directions being substantially identical to FIG. 2; and,
FIG. 3 is a top plan view of the closure, the bottom of the closure being without ornamentation and forming no part of the claimed design.
The broken lines in the Figures are for illustrative purposes only and form no part of the claimed design.

1 Claim, 2 Drawing Sheets



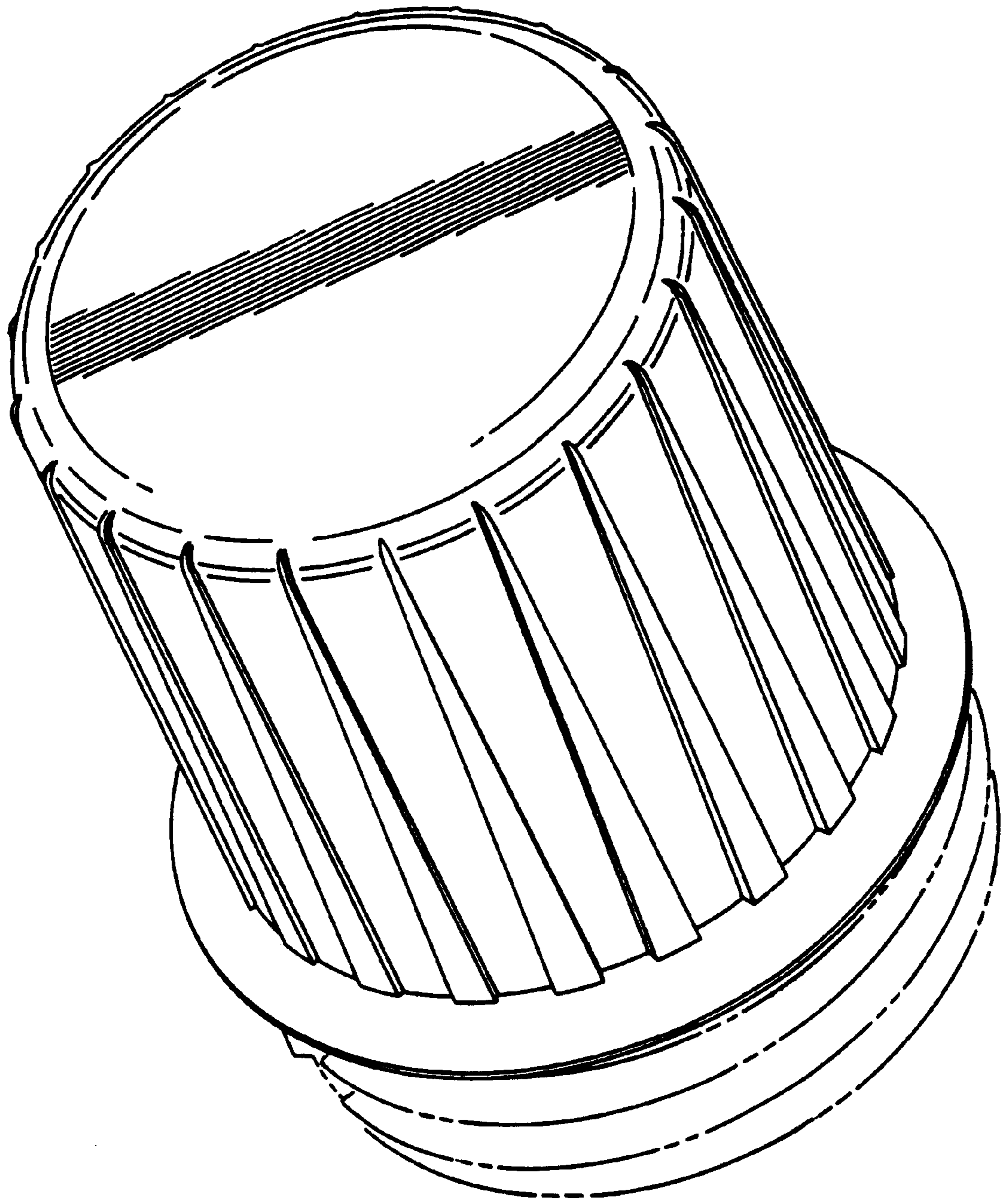


FIG. 1

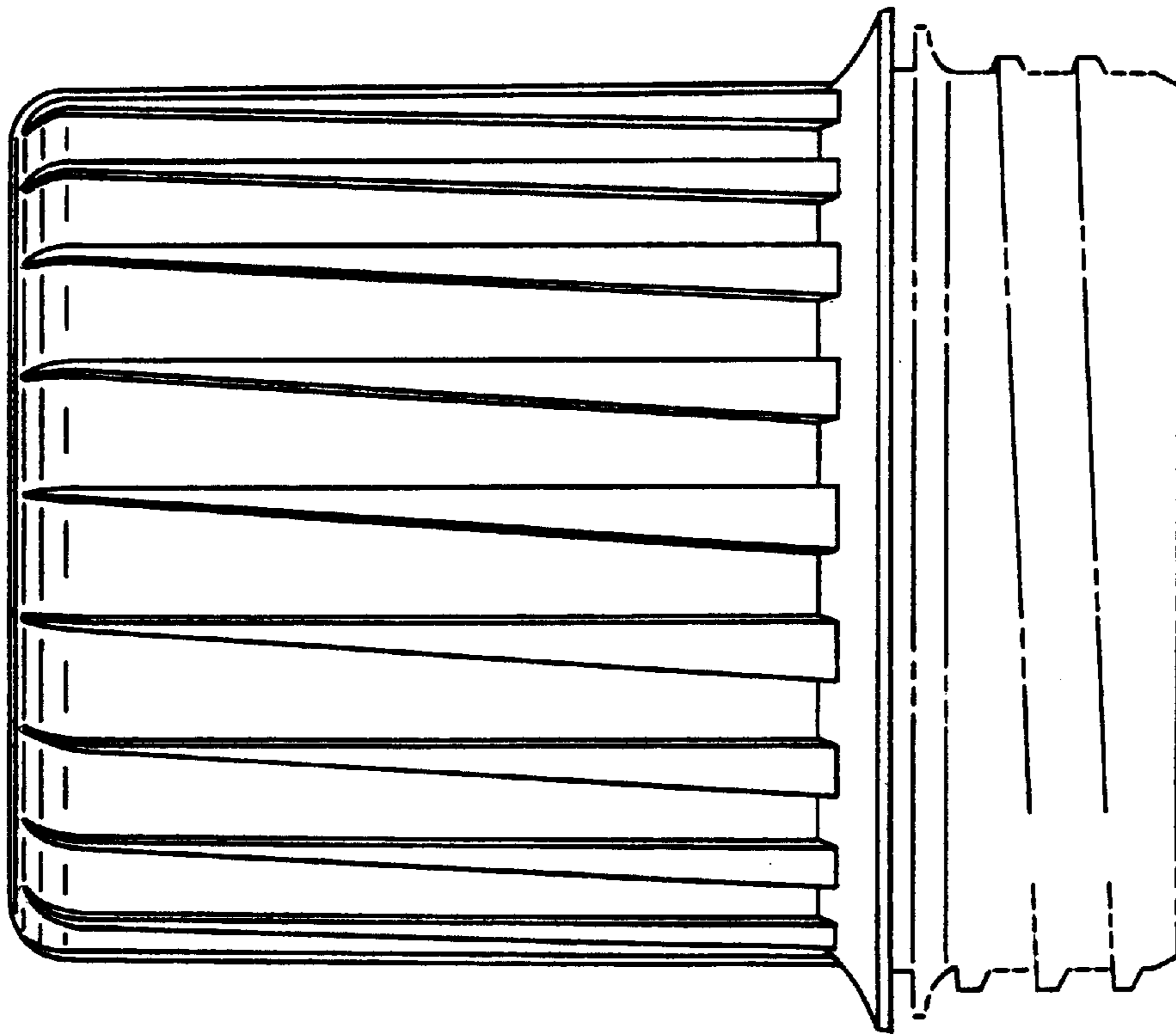


FIG. 2

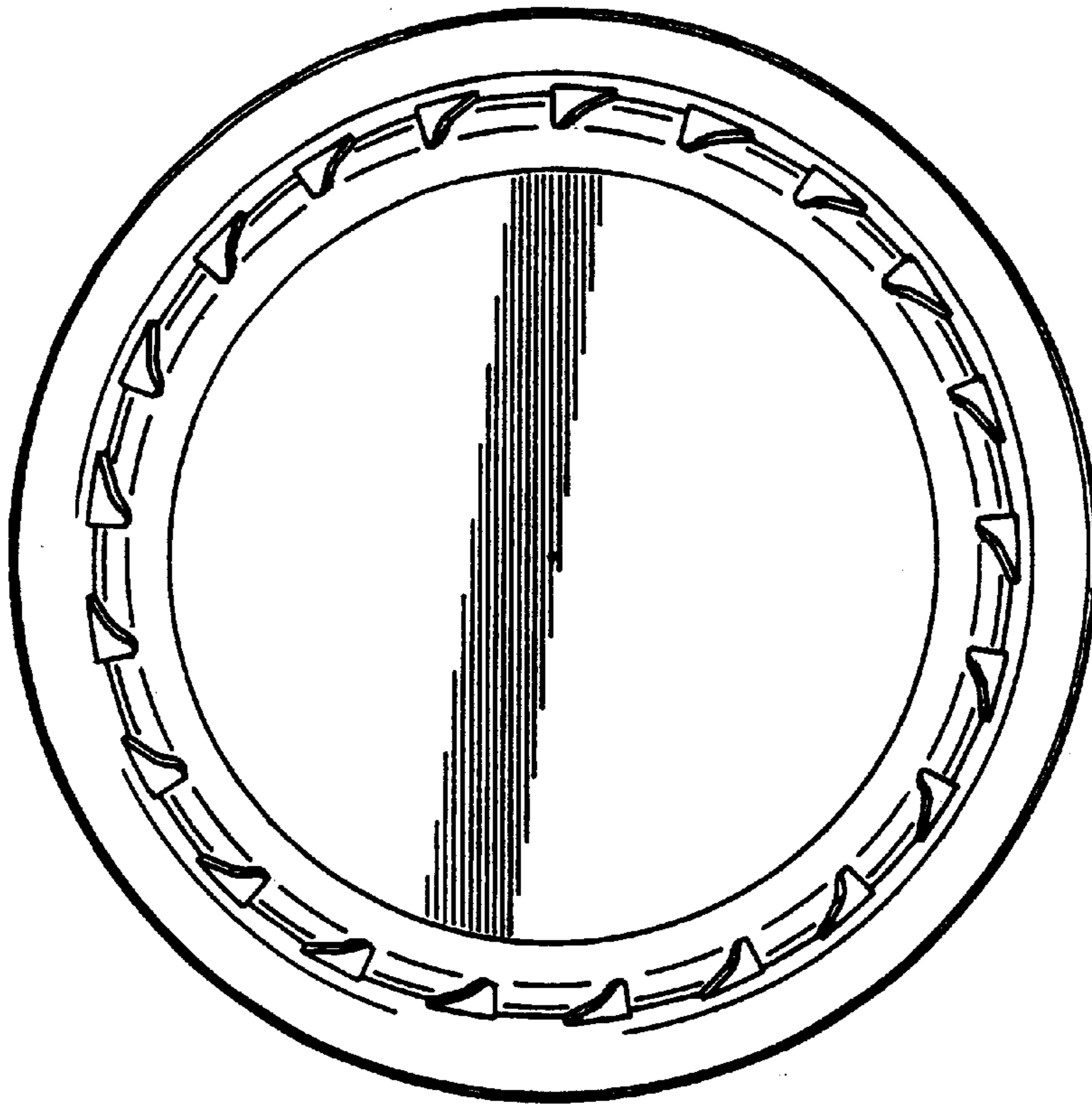


FIG. 3