



US00D475923S

(12) **United States Design Patent**
Renz

(10) **Patent No.:** **US D475,923 S**

(45) **Date of Patent:** **** Jun. 17, 2003**

(54) **COVER ASSEMBLY**

(75) **Inventor:** **Charles John Renz**, Briarcliff Manor, NY (US)

(73) **Assignee:** **Playtex Products, Inc.**, Westport, CT (US)

(**) **Term:** **14 Years**

(21) **Appl. No.:** **29/157,897**

(22) **Filed:** **Mar. 27, 2002**

(51) **LOC (7) Cl.** **09-07**

(52) **U.S. Cl.** **D9/446; D9/452; D9/453; D9/454; D9/449**

(58) **Field of Search** **D9/438, 446, 452, D9/453, 454, 449; 215/235, 306; 220/259.1, 847, 837, 375**

(56) **References Cited**

U.S. PATENT DOCUMENTS

D174,205 S	3/1955	Ward	D58/26
3,256,892 A	6/1966	Esposito, Jr.	132/83
4,203,524 A	* 5/1980	Wieland	215/306
4,548,332 A	10/1985	Neat	220/268
4,638,916 A	1/1987	Beck et al.	215/235
D353,328 S	12/1994	Nuffer	D9/446
D364,810 S	* 12/1995	Meisner	D9/446
5,725,121 A	* 3/1998	Gianpaolo	220/375
D411,106 S	6/1999	Conrad	D9/436
D422,217 S	* 4/2000	Gundlach et al.	D9/454

D424,440 S * 5/2000 Wilkinson et al. D9/446
D435,444 S 12/2000 Newville et al. D9/446

* cited by examiner

Primary Examiner—Louis S. Zarfaz

Assistant Examiner—Gregory Andoll

(74) *Attorney, Agent, or Firm*—Ohlandt, Greeley, Ruggiero & Perle, LLP

(57) **CLAIM**

The ornamental design for the cover assembly, as shown and described.

DESCRIPTION

FIG. 1 is a perspective view of a cover assembly according to the present invention;

FIG. 2 is a first side view of the cover assembly of FIG. 1;

FIG. 3 is a second side view, opposite the first side view, of the cover assembly of FIG. 1;

FIG. 4 is a third side view, rotated ninety degrees from the second side view, of the cover assembly of FIG. 1;

FIG. 5 is a fourth side view, opposite the third side view, of the cover assembly of FIG. 1;

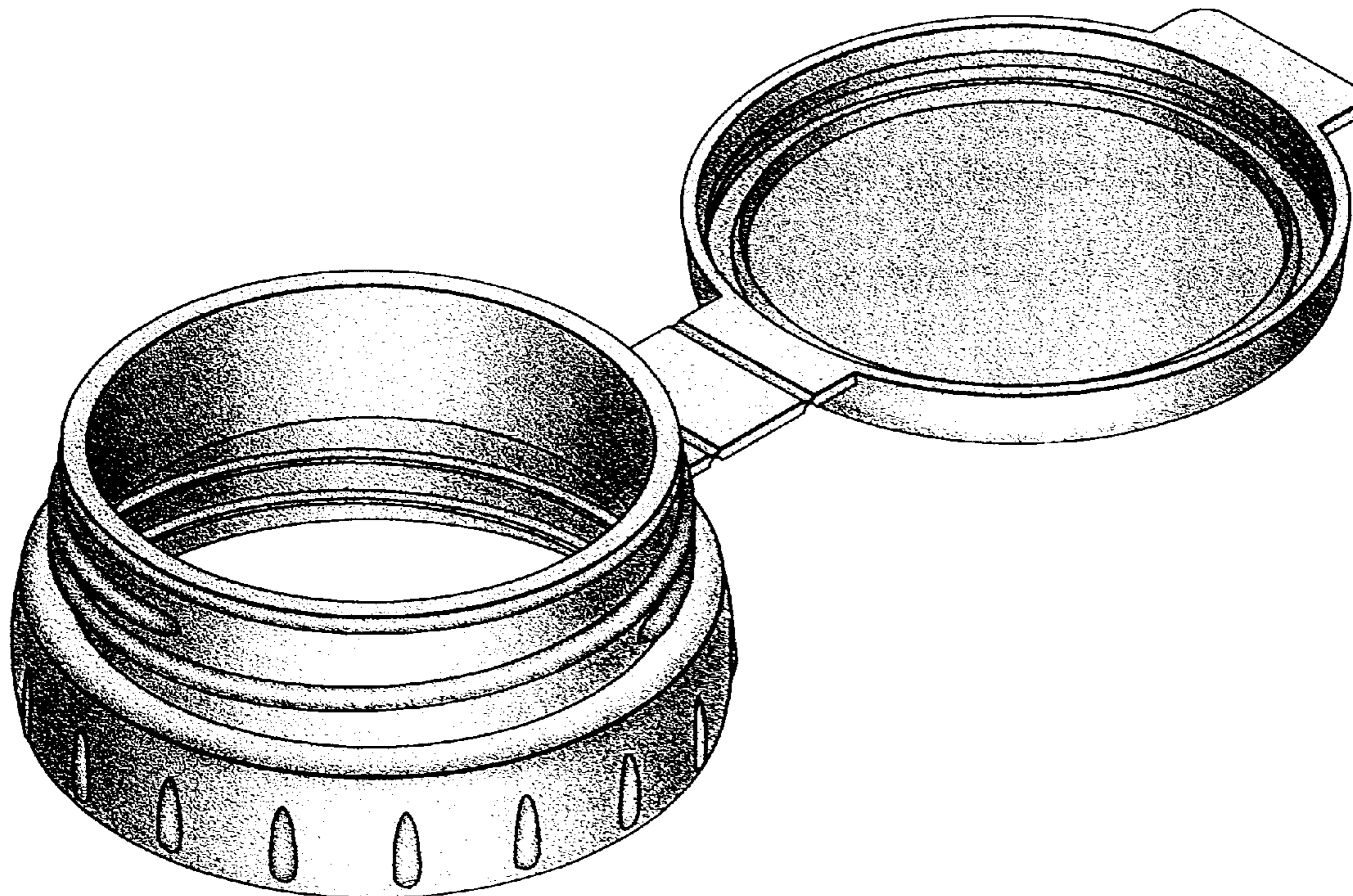
FIG. 6 is a bottom view of the cover assembly of FIG. 1;

FIG. 7 is a top view of the cover assembly of FIG. 1; and,

FIG. 8 is a side view of the cover assembly of FIG. 1, showing the cover assembly in a closed position.

The broken lines in the figures are for illustrative purposes only and form no part of the claimed design.

1 Claim, 5 Drawing Sheets



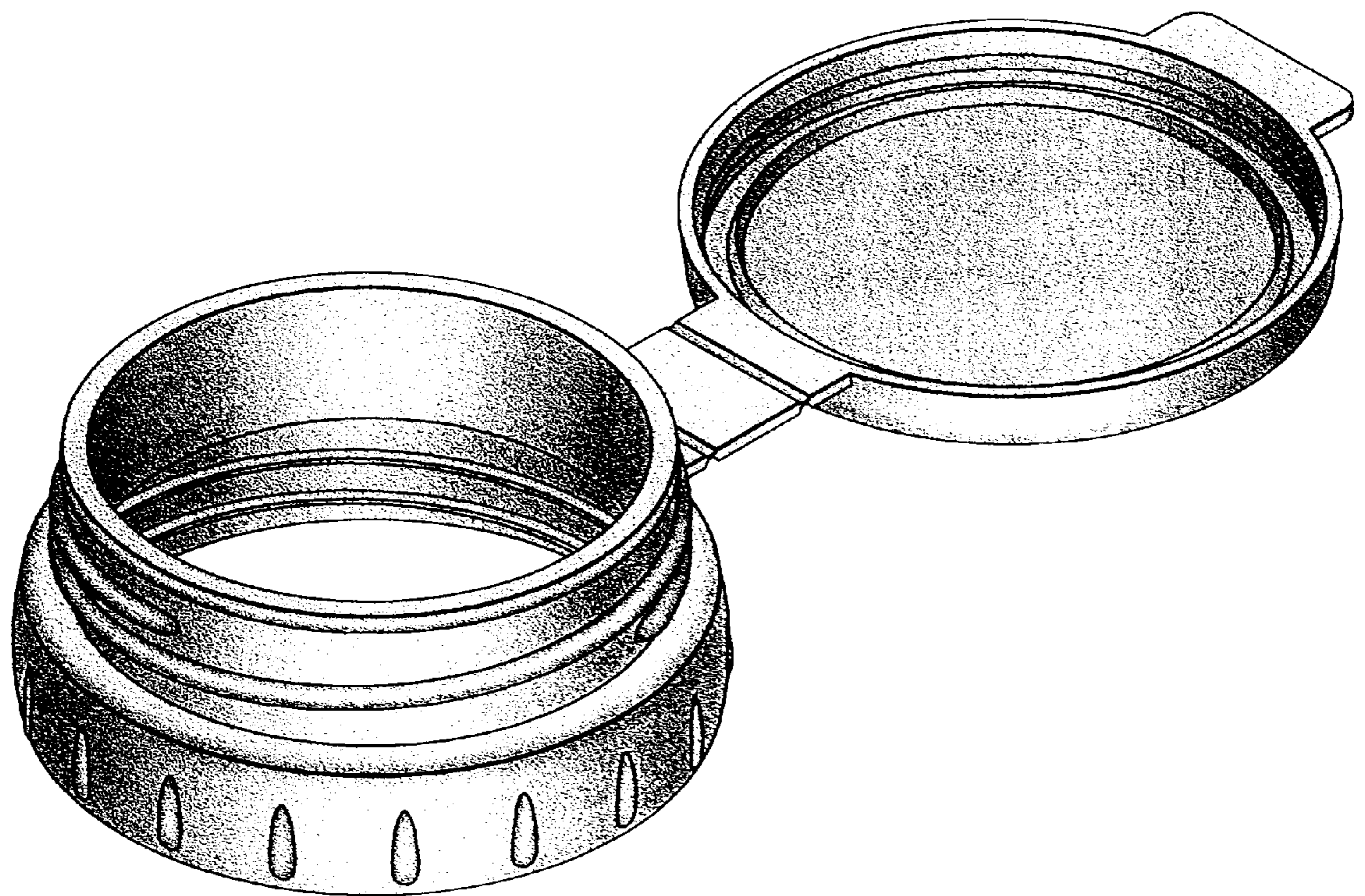


FIG. 1

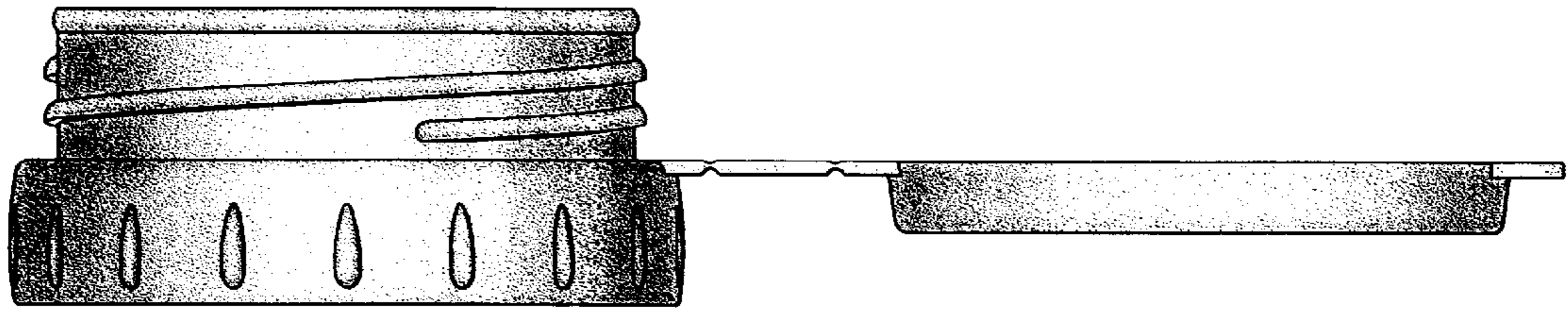


FIG. 2

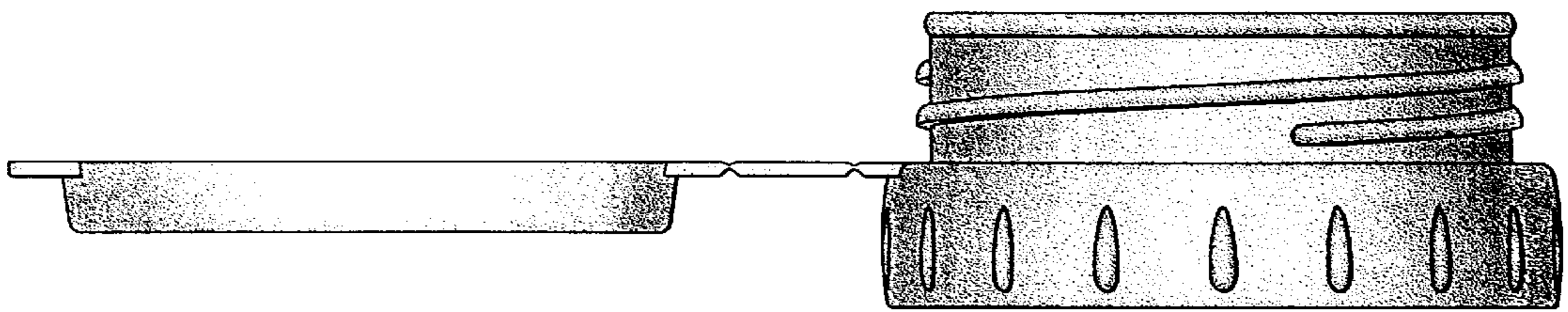


FIG. 3

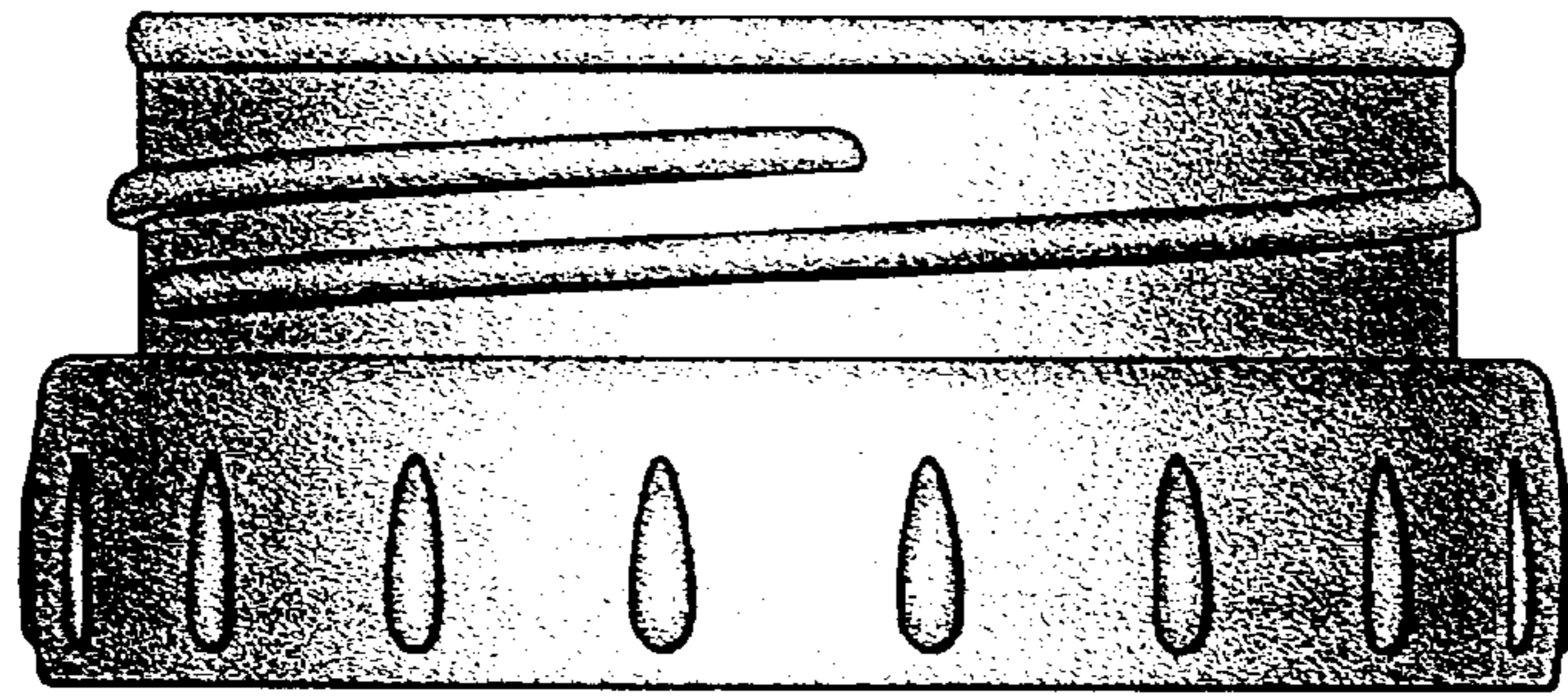


FIG. 4

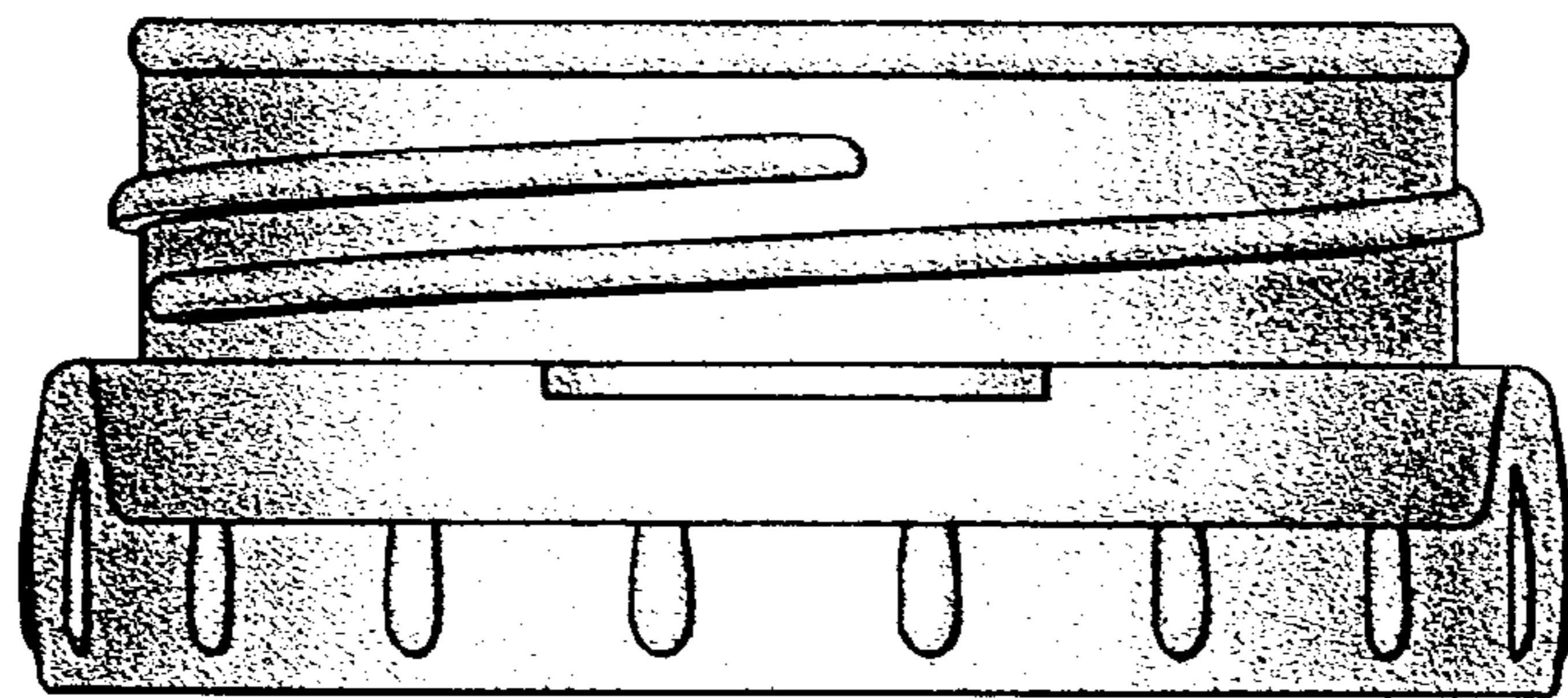


FIG. 5

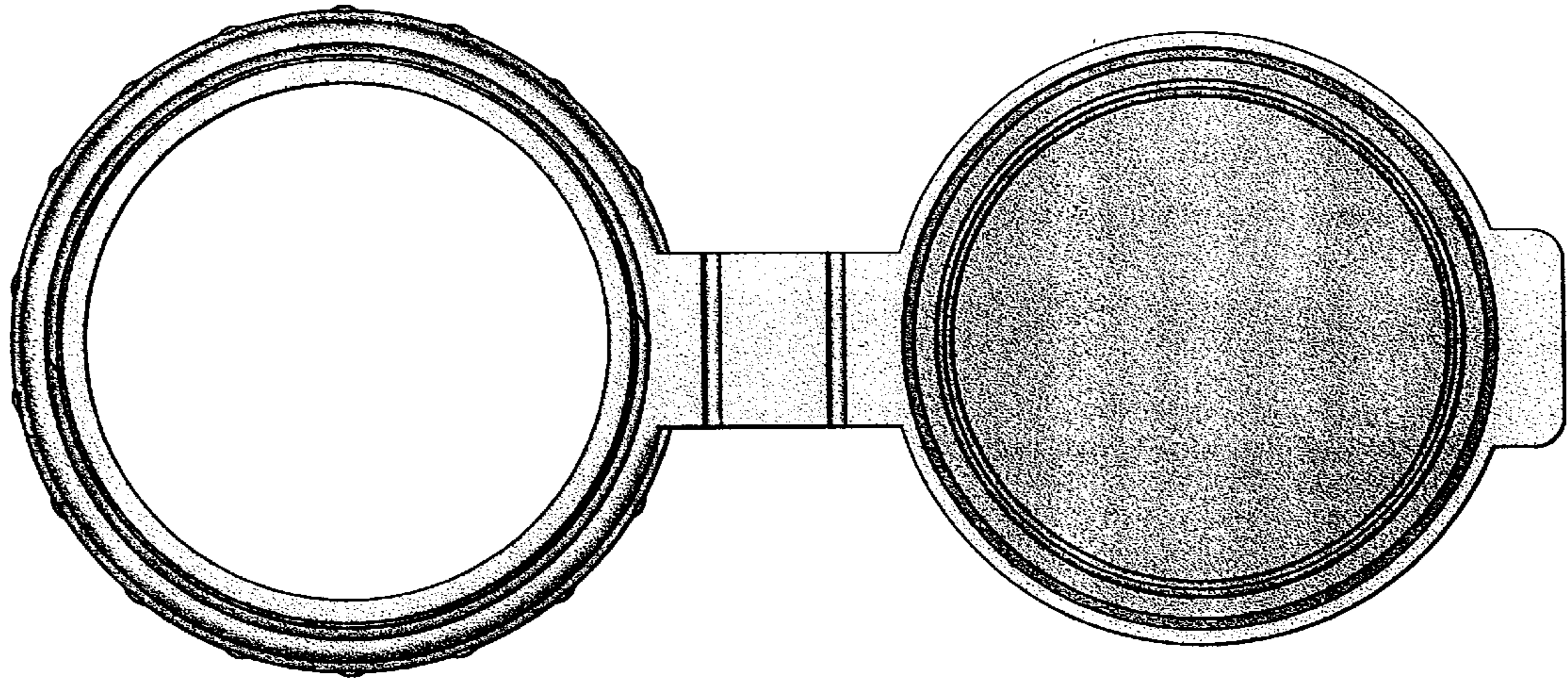


FIG. 6

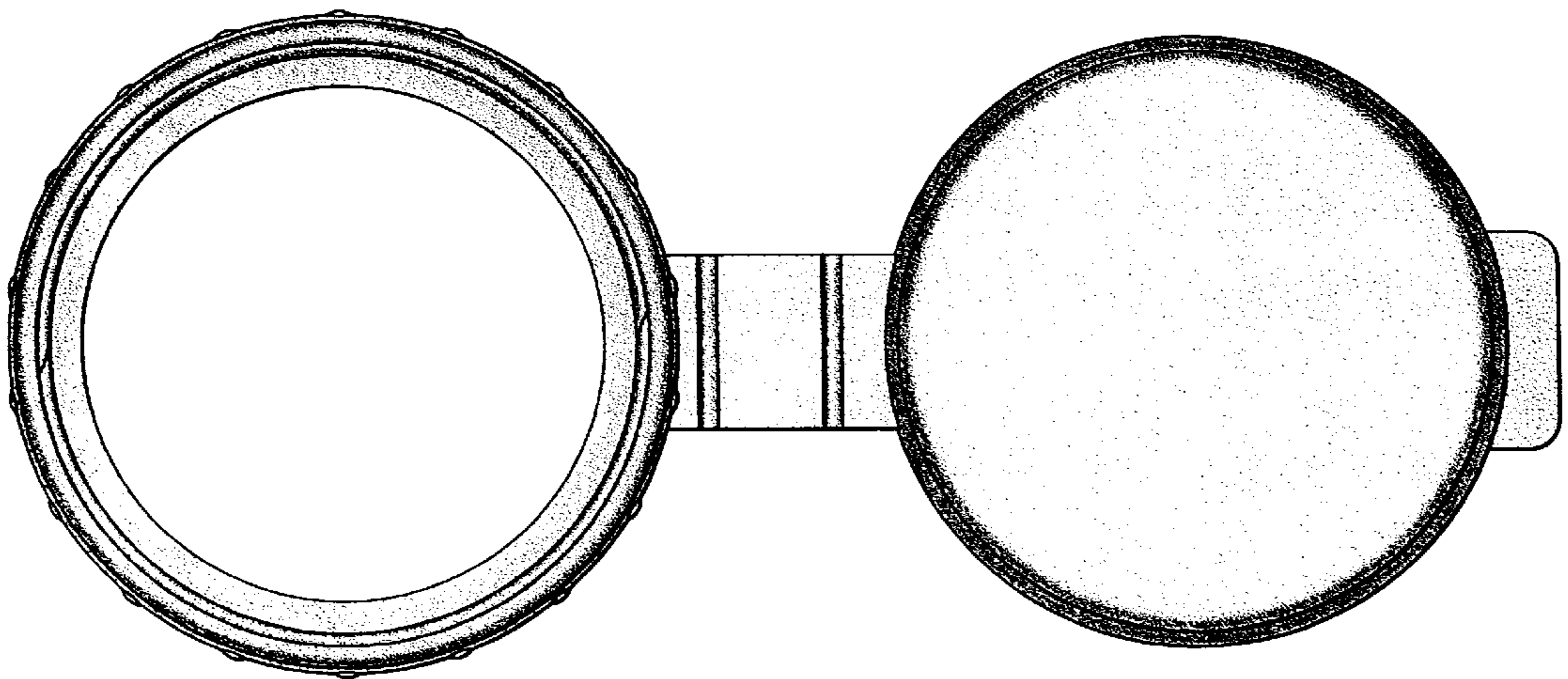


FIG. 7

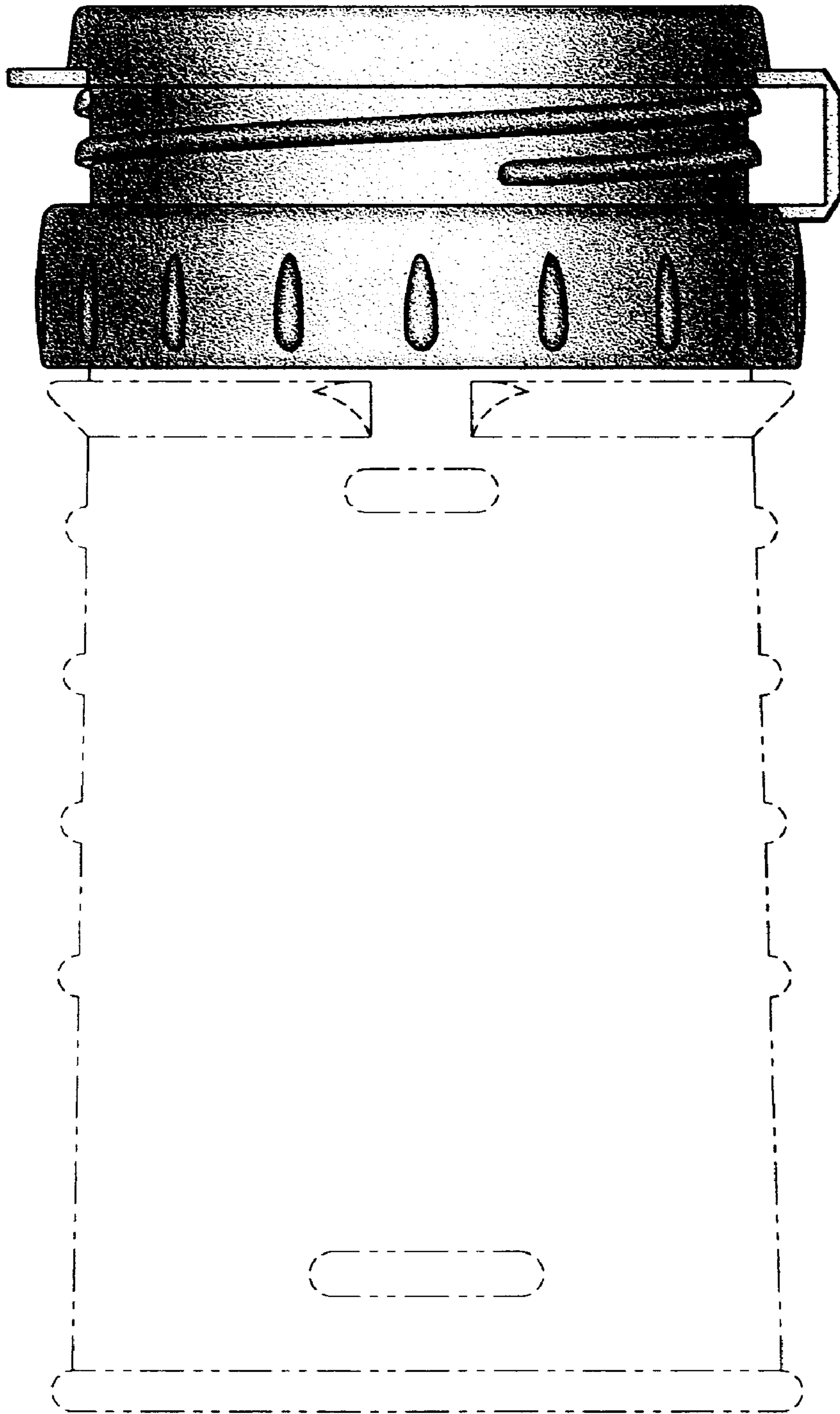


FIG. 8