



US00D475921S

(12) **United States Design Patent**
Smith

(10) **Patent No.:** **US D475,921 S**

(45) **Date of Patent:** **** Jun. 17, 2003**

(54) **CONTAINER CAP**

(75) **Inventor:** **Scott Edward Smith**, Cincinnati, OH (US)

(73) **Assignee:** **The Procter & Gamble Company**, Cincinnati, OH (US)

(**) **Term:** **14 Years**

(21) **Appl. No.:** **29/159,205**

(22) **Filed:** **Apr. 17, 2002**

(51) **LOC (7) Cl.** **09-01**

(52) **U.S. Cl.** **D9/445; D9/444**

(58) **Field of Search** D9/435, 444, 445, D9/336, 335, 300, 337, 451; 215/200, 316; 220/200

(56) **References Cited**

U.S. PATENT DOCUMENTS

D243,890 S	*	3/1977	Yajima	D9/445
D263,123 S		2/1982	Hadtke et al.		
D283,592 S	*	4/1986	Quarrell et al.	D9/337
D312,574 S		12/1990	Geiger		
D318,231 S	*	7/1991	Lay et al.	D9/435
D319,014 S	*	8/1991	Di Nuccio	D9/435
D329,983 S	*	10/1992	Griffin et al.	D9/445
D337,726 S	*	7/1993	O'Neill et al.	D9/435
D348,217 S		6/1994	Le Prince		

D408,736 S		4/1999	Wilson et al.		
D418,754 S		1/2000	Hutchinson et al.		
D459,226 S	*	6/2002	Guarnieri	D9/435

FOREIGN PATENT DOCUMENTS

CA	88253	11/1999
CA	88254	11/1999
CA	90407	9/2000
CA	94741	2/2002

* cited by examiner

Primary Examiner—Louis S. Zarfes

Assistant Examiner—Gregory Andoll

(74) *Attorney, Agent, or Firm*—Jack L. Oney

(57) **CLAIM**

The ornamental design for a container cap, as shown and described.

DESCRIPTION

FIG. 1 is a perspective view of a container cap, embodying our new design;

FIG. 2 is a rear elevational view thereof;

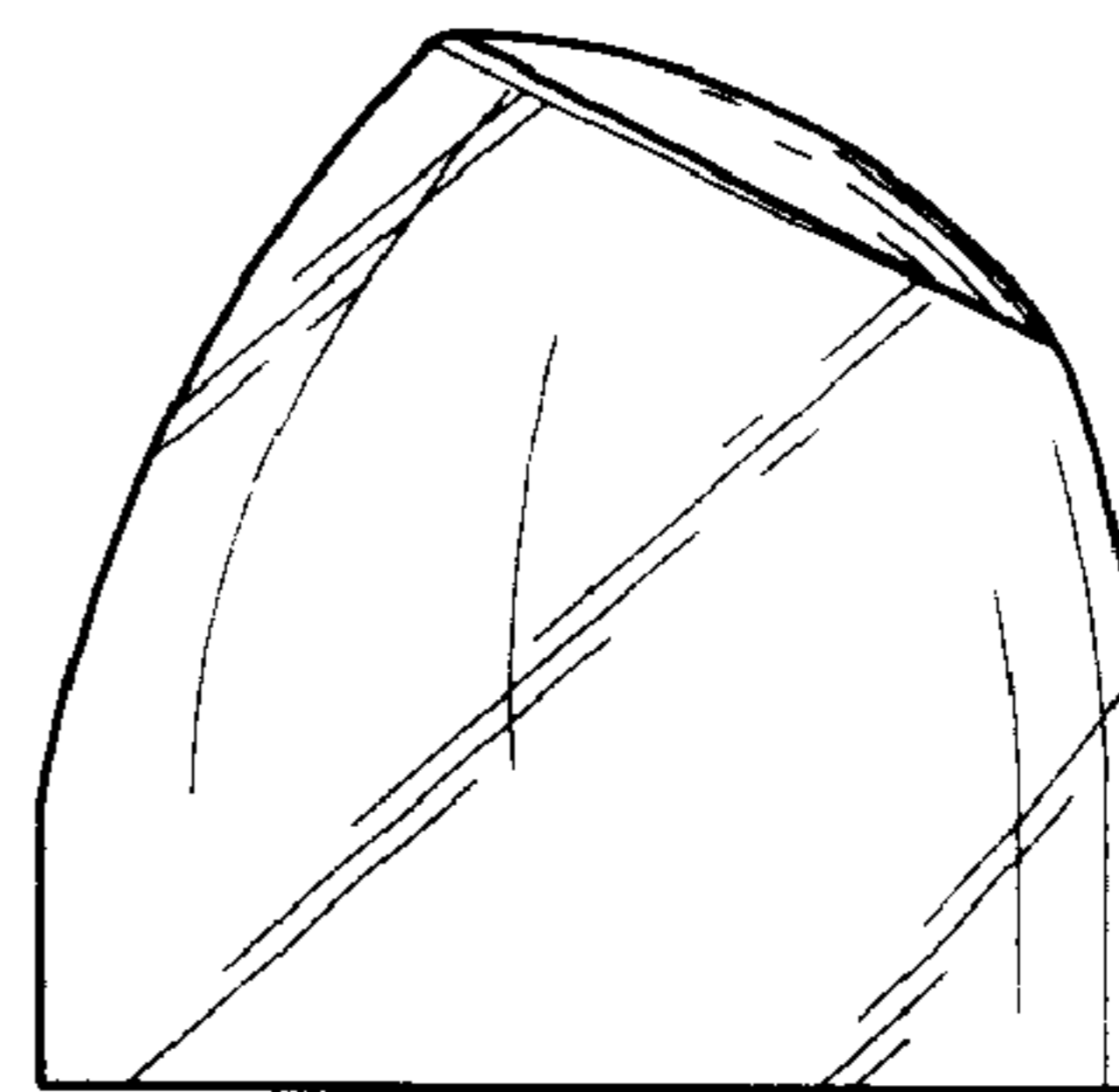
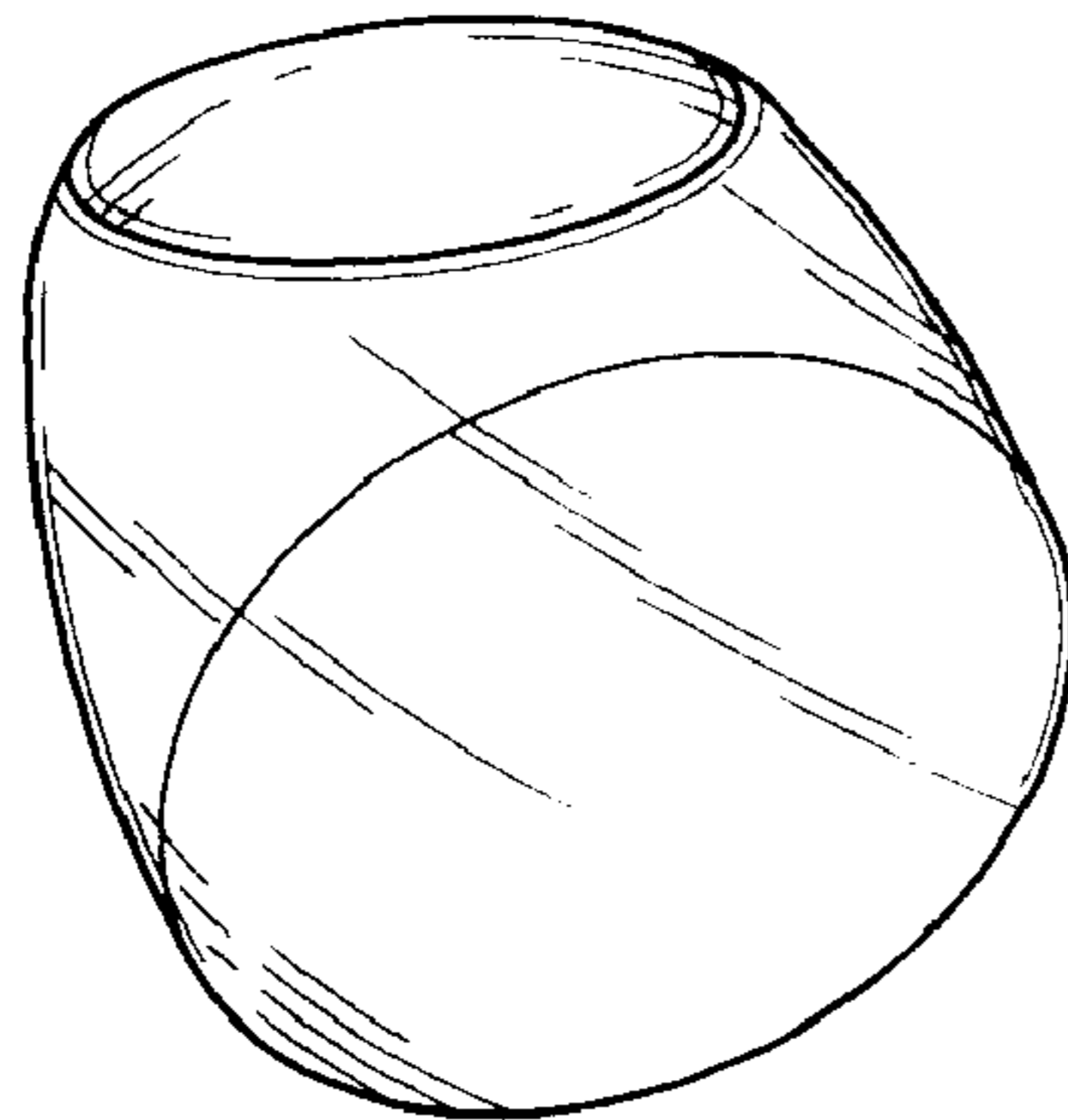
FIG. 3 is a right side elevational view thereof, the left side being a mirror image;

FIG. 4 is a front elevational view thereof;

FIG. 5 is a top view thereof; and,

FIG. 6 is a bottom view thereof.

1 Claim, 1 Drawing Sheet



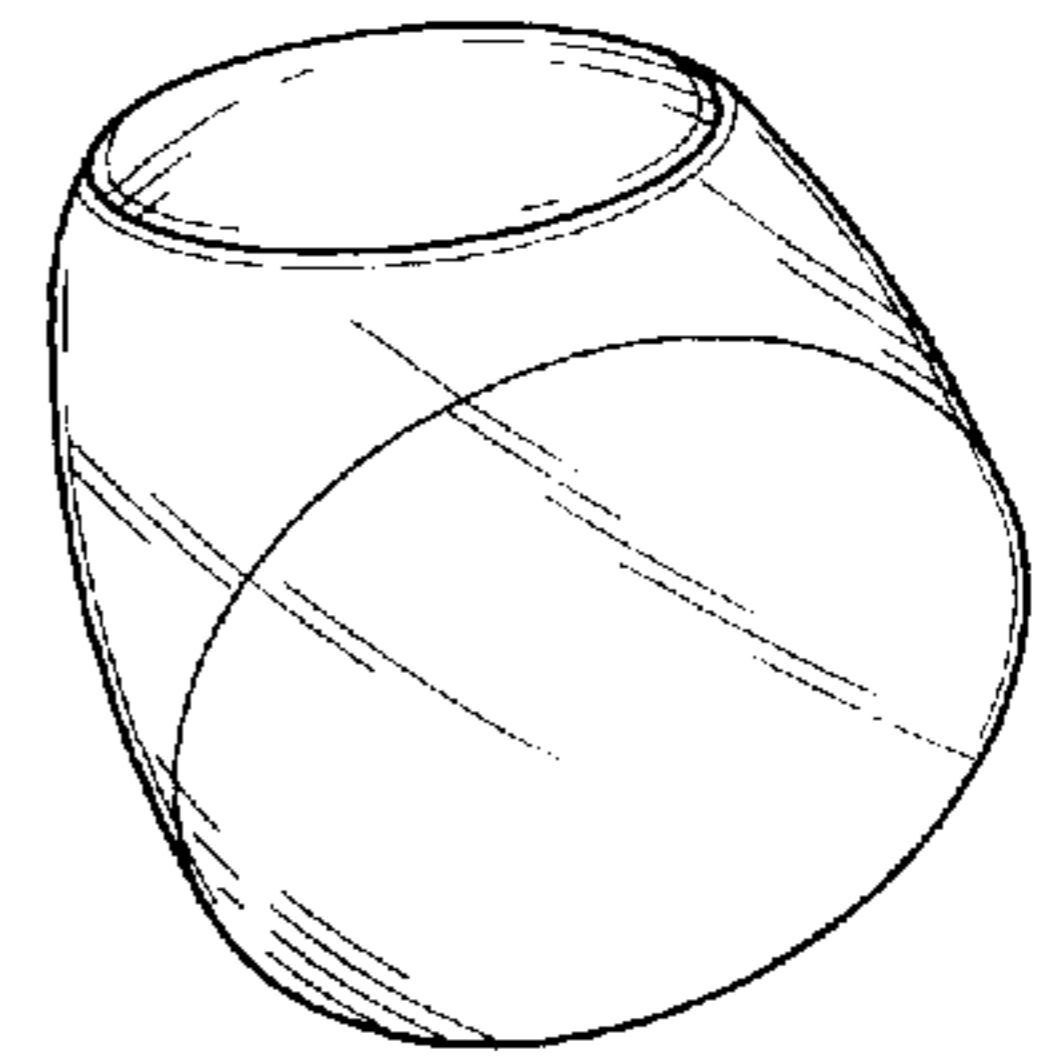


Fig. 1

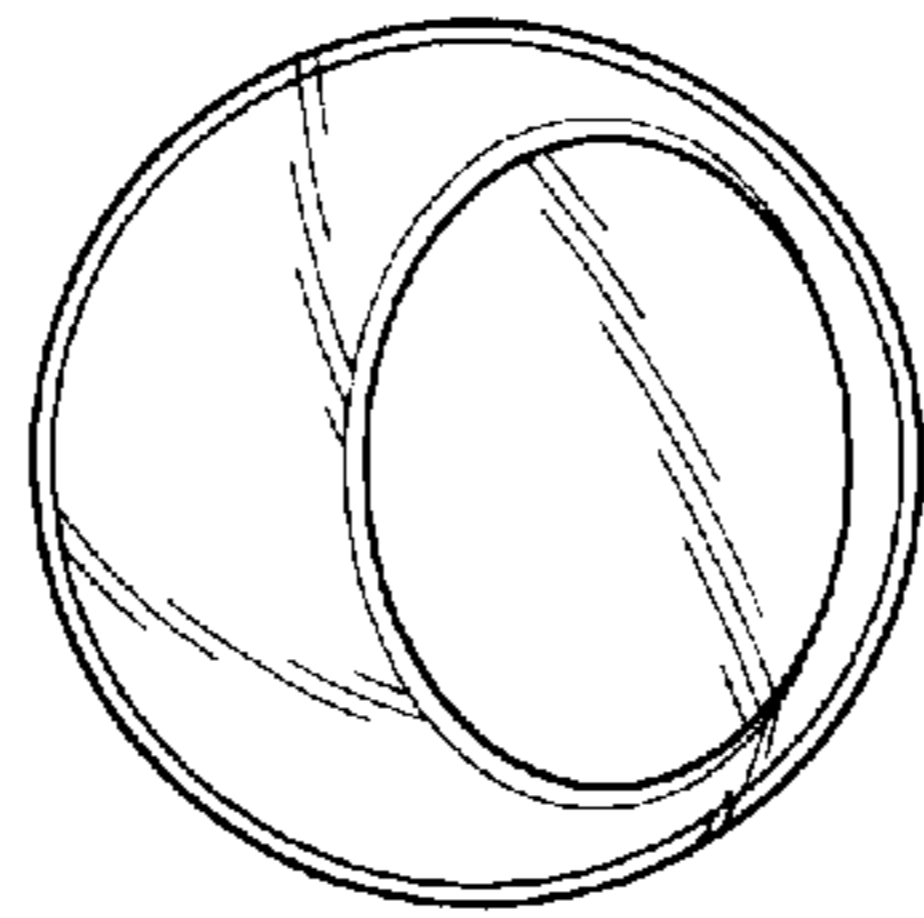


Fig. 5

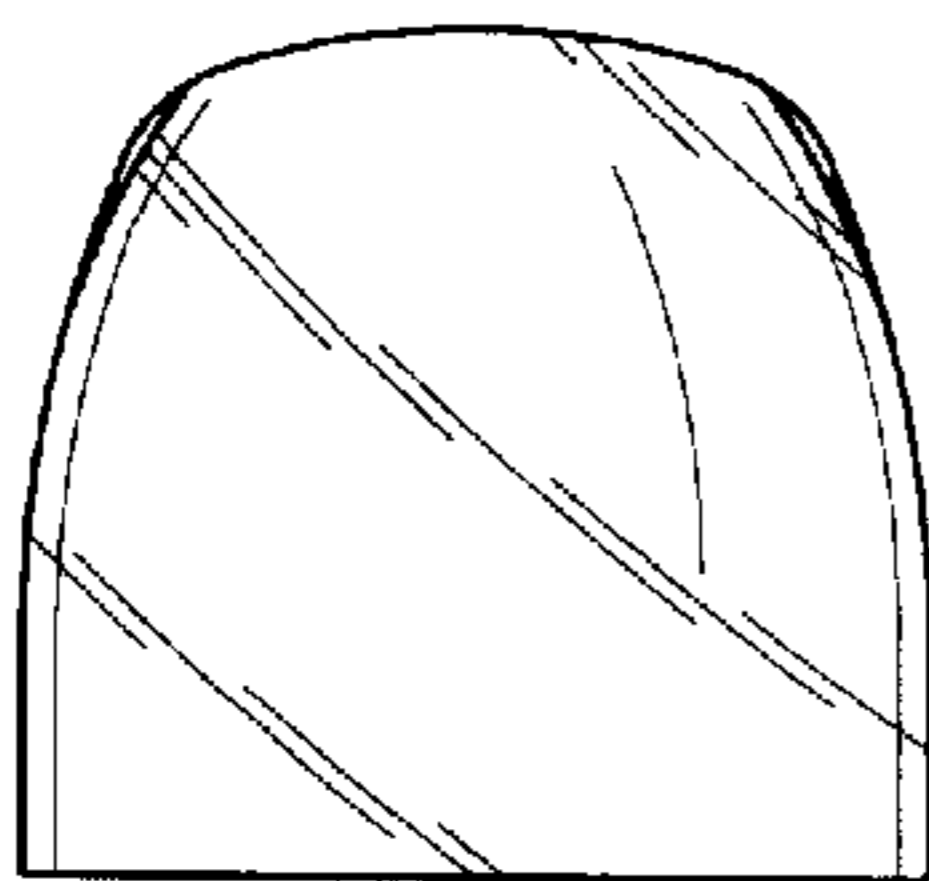


Fig. 2

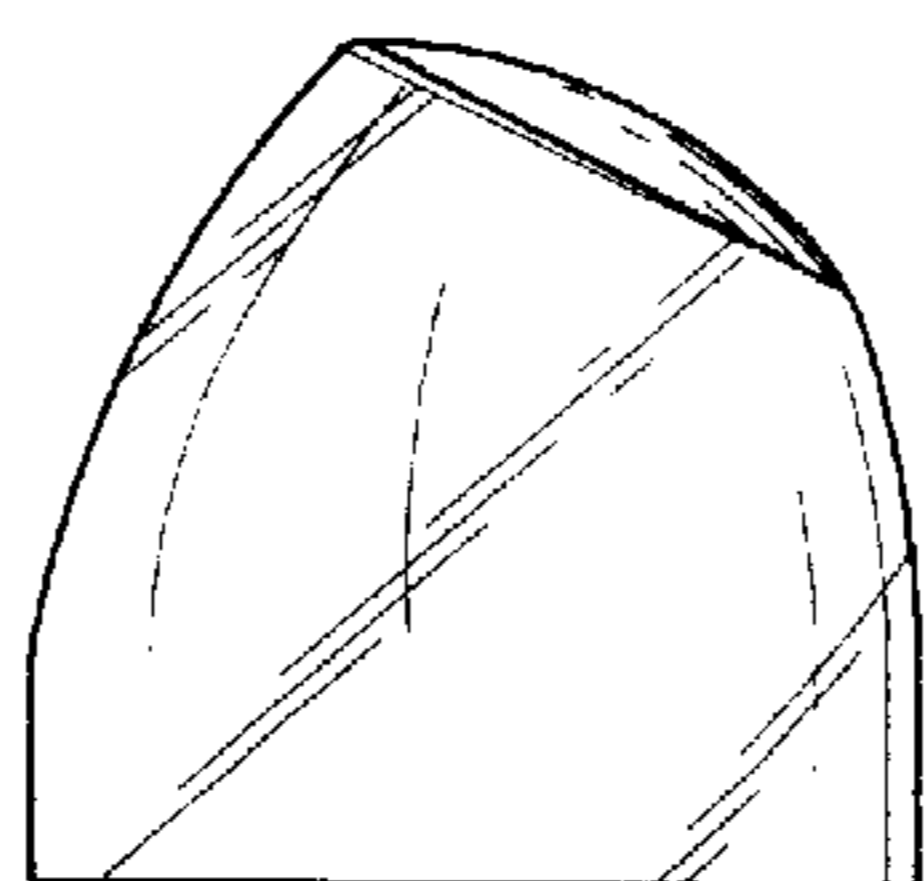


Fig. 3

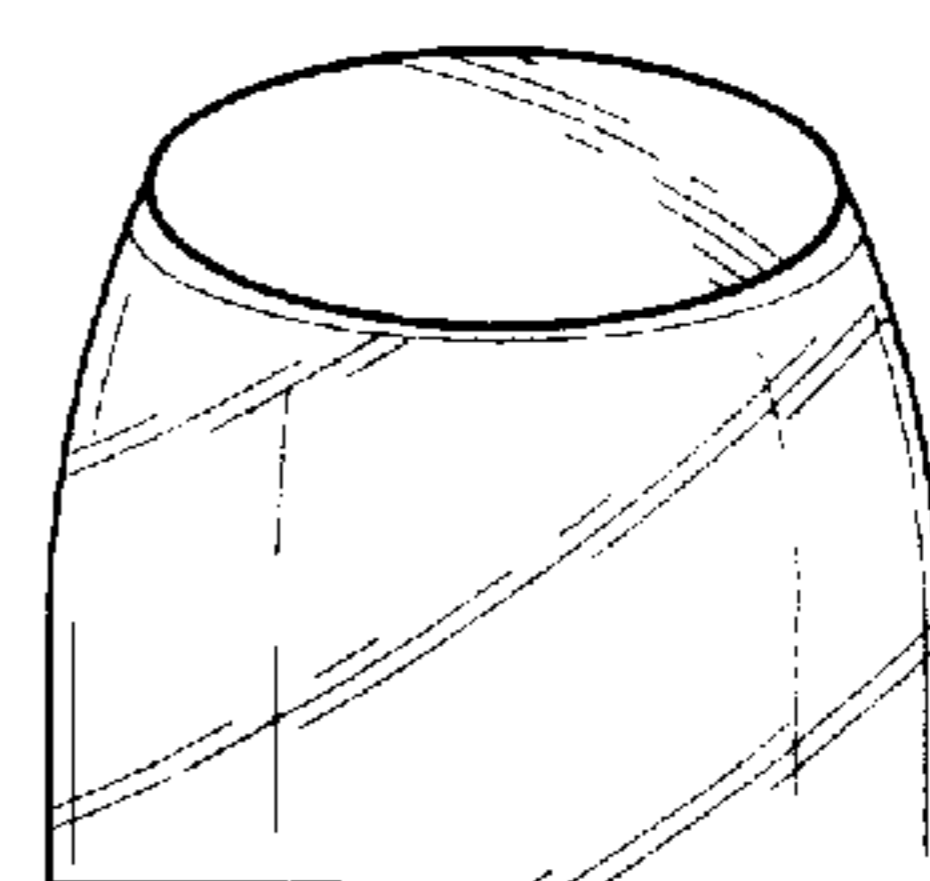


Fig. 4

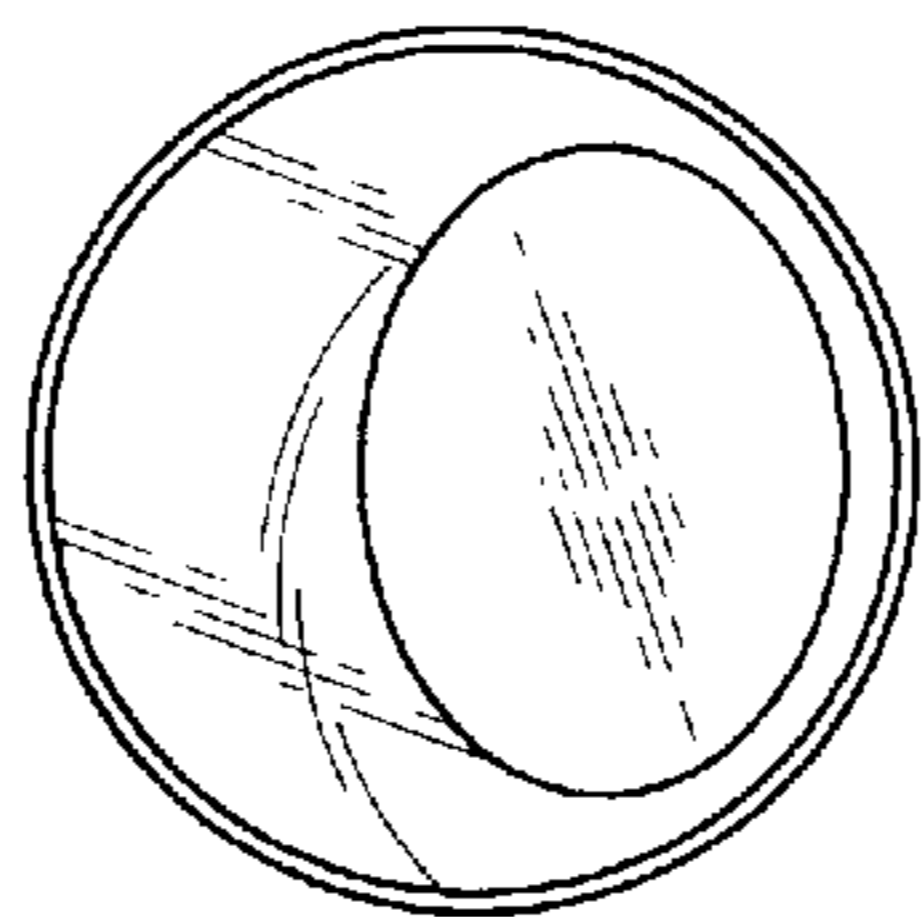


Fig. 6