



US00D475919S

(12) **United States Design Patent**  
**Choffez**

(10) **Patent No.:** **US D475,919 S**

(45) **Date of Patent:** **\*\* Jun. 17, 2003**

(54) **PACKAGING FOR FOODSTUFFS NAMELY CHEESES**

(75) **Inventor:** **Valerie Choffez, Pelussin (FR)**

(73) **Assignee:** **Fromagerie Guilloteau (FR)**

(\*\*) **Term:** **14 Years**

(21) **Appl. No.:** **29/152,749**

(22) **Filed:** **Dec. 27, 2001**

(30) **Foreign Application Priority Data**

Jun. 27, 2001 (FR) ..... 01 3789

(51) **LOC (7) Cl.** ..... **09-03**

(52) **U.S. Cl.** ..... **D9/432**

(58) **Field of Search** ..... D3/201, 273, 302;  
D7/601, 602, 629, 590; D9/418, 414, 423,  
424, 425, 430, 431, 432, 499; 206/459.1,  
477, 524.1, 527, 775; 220/200, 315, 820,  
890

(56) **References Cited**

**U.S. PATENT DOCUMENTS**

D195,270 S \* 5/1963 Gant ..... D44/24

D376,513 S \* 12/1996 Curry ..... D6/515

D376,688 S \* 12/1996 Gallagher et al. .... D3/273

D395,970 S \* 7/1998 Curry ..... D6/515

D408,139 S \* 4/1999 Fan et al. .... D3/273

D408,667 S \* 4/1999 Curry ..... D6/515

\* cited by examiner

*Primary Examiner*—Nanda Bondade

*Assistant Examiner*—Daniel Bui

(74) *Attorney, Agent, or Firm*—Mathews, Collins,  
Shepherd & McKay, P.A.

(57) **CLAIM**

The ornamental design for a packaging for foodstuffs namely cheeses, as shown and described.

**DESCRIPTION**

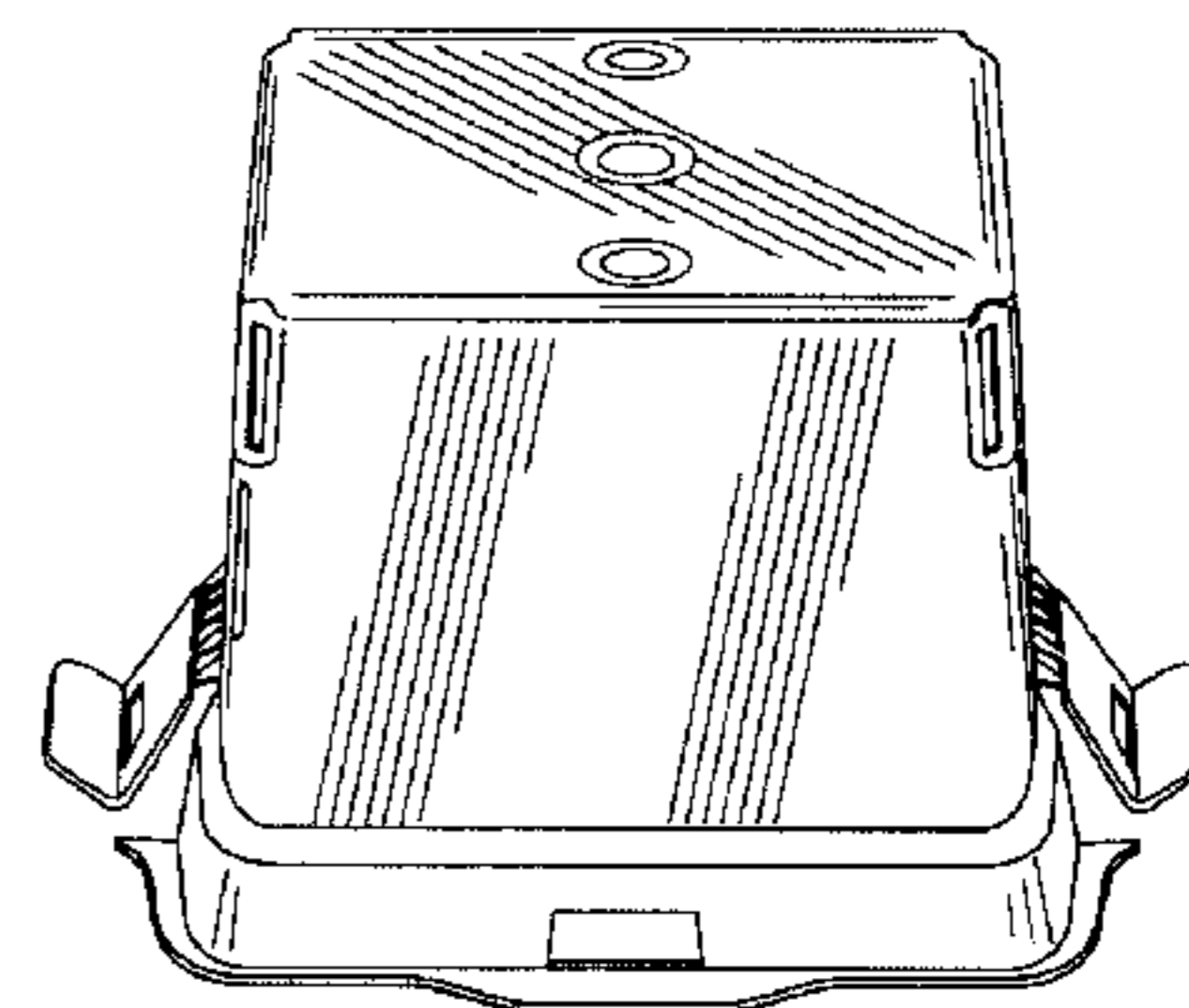
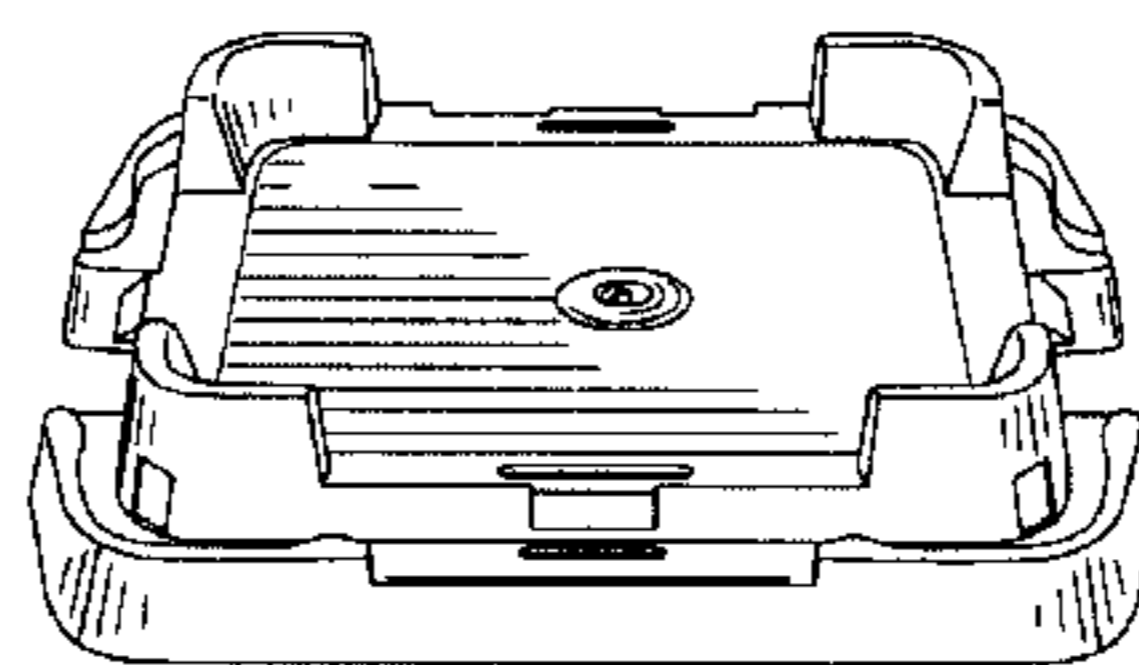
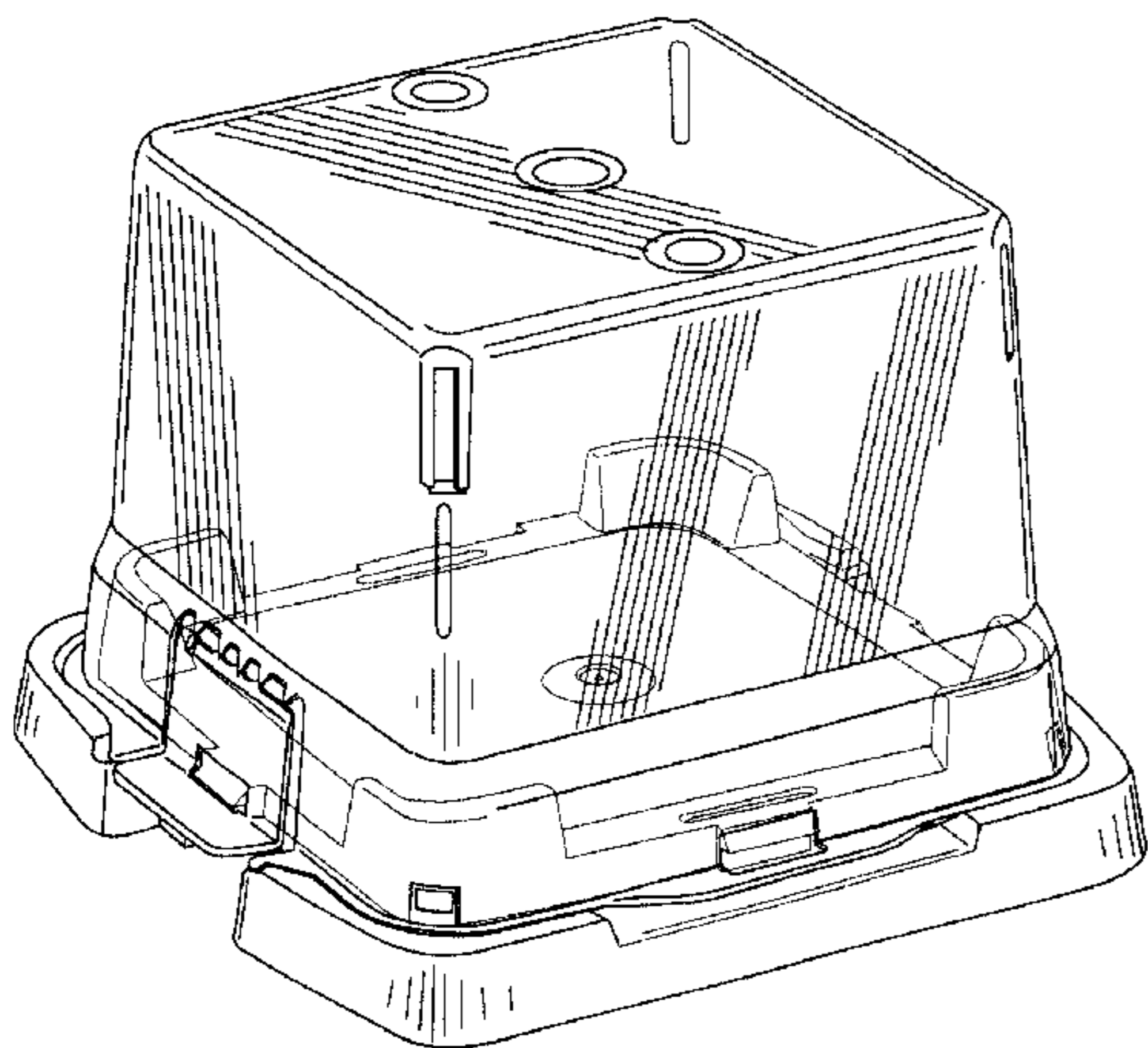
FIG. 1 is a side and front perspective view of a packaging for foodstuffs namely cheeses, showing my new design;

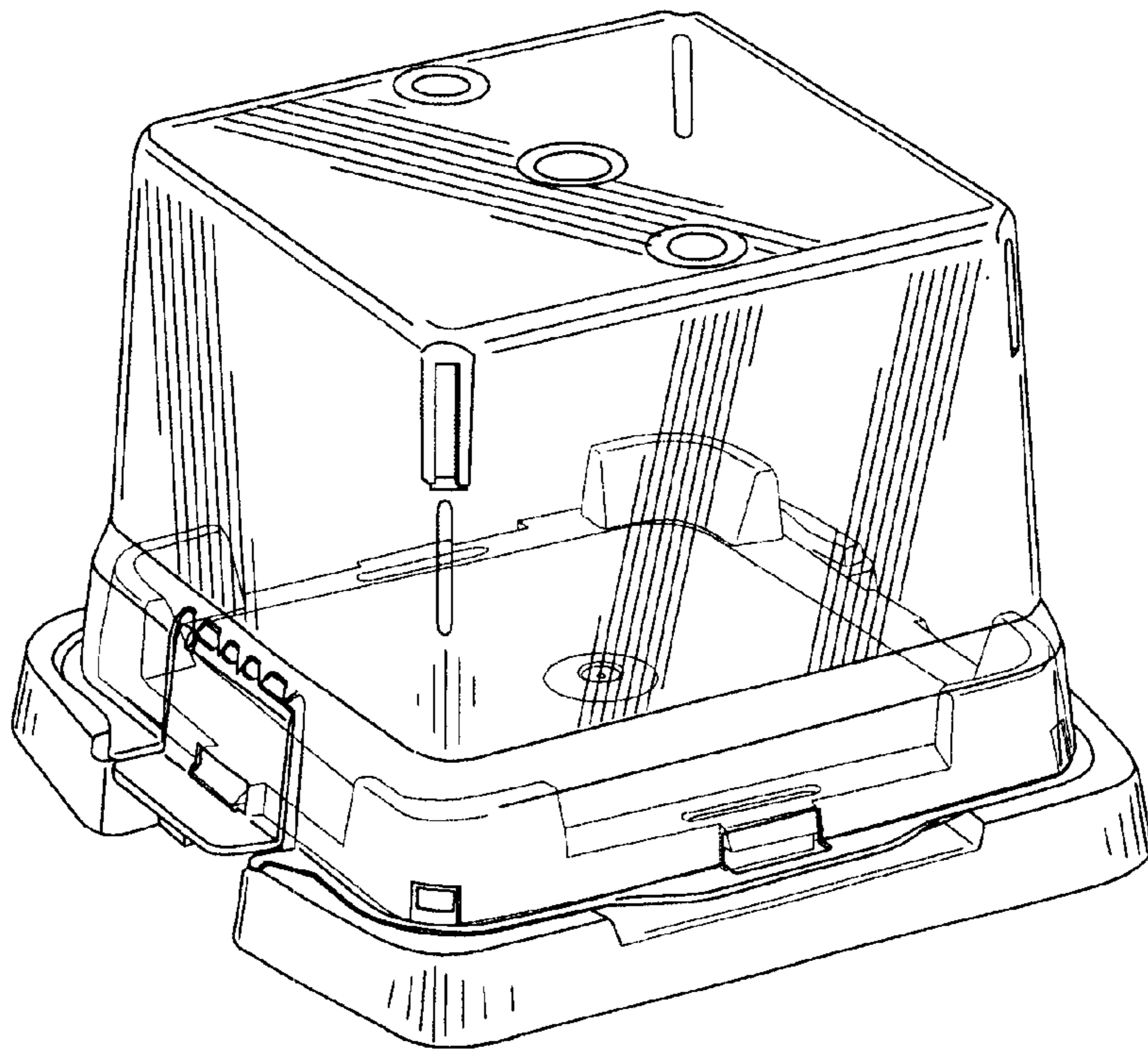
FIG. 2 is a side perspective view thereof in exploded condition, and on a reduced scale.

FIG. 3 is a side and front perspective view thereof in exploded condition, and on a reduced scale.

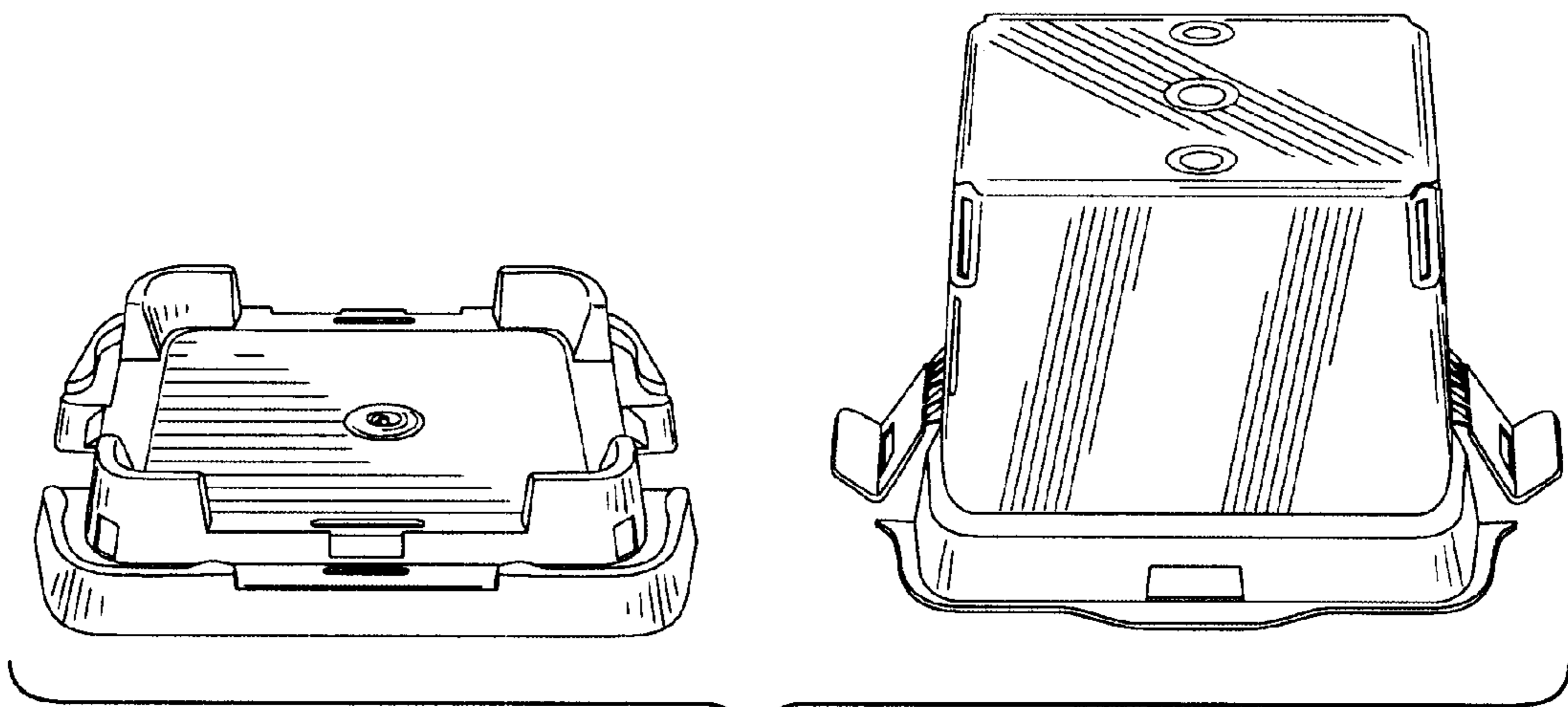
FIG. 4 is a side perspective view thereof.

**1 Claim, 2 Drawing Sheets**

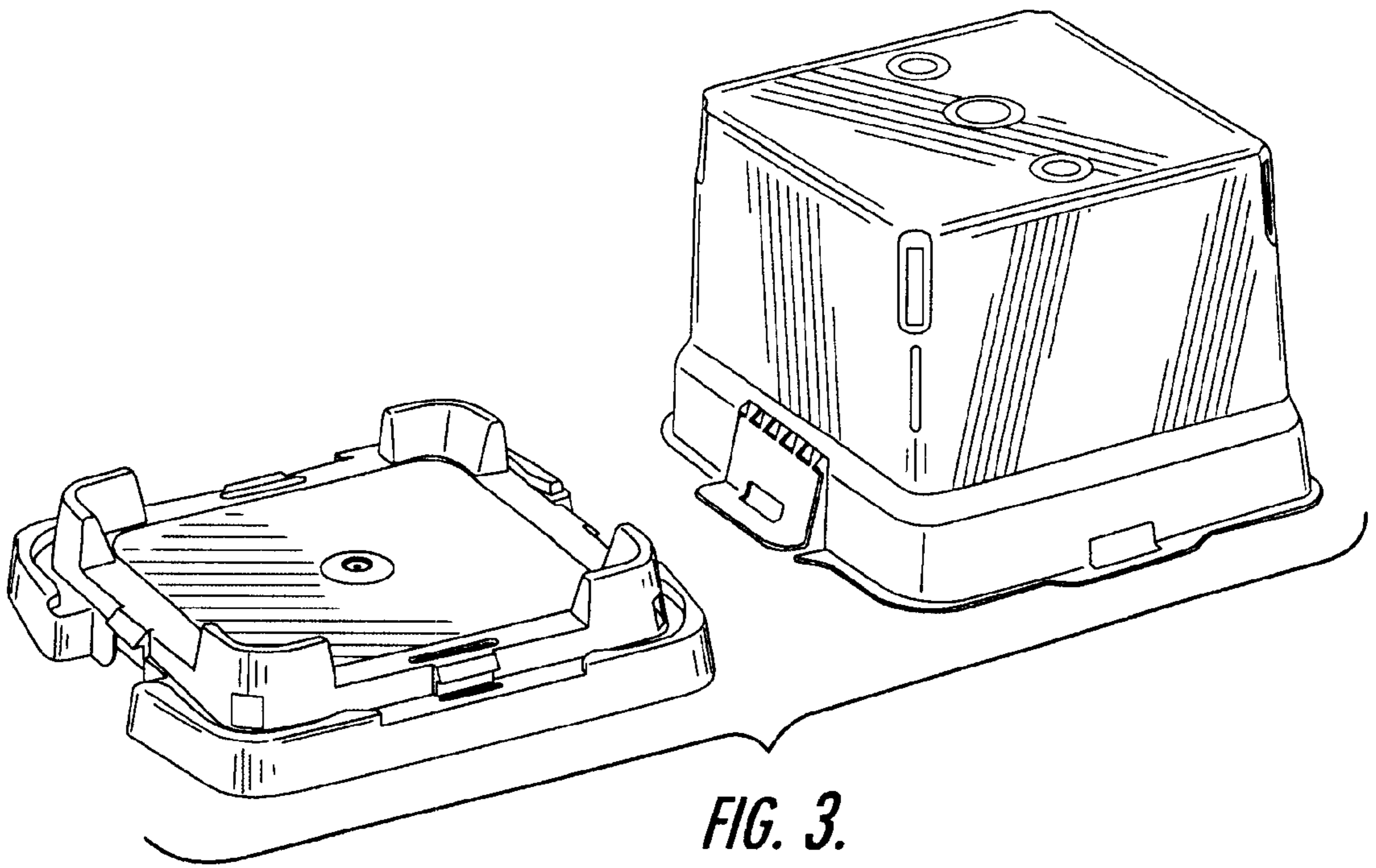




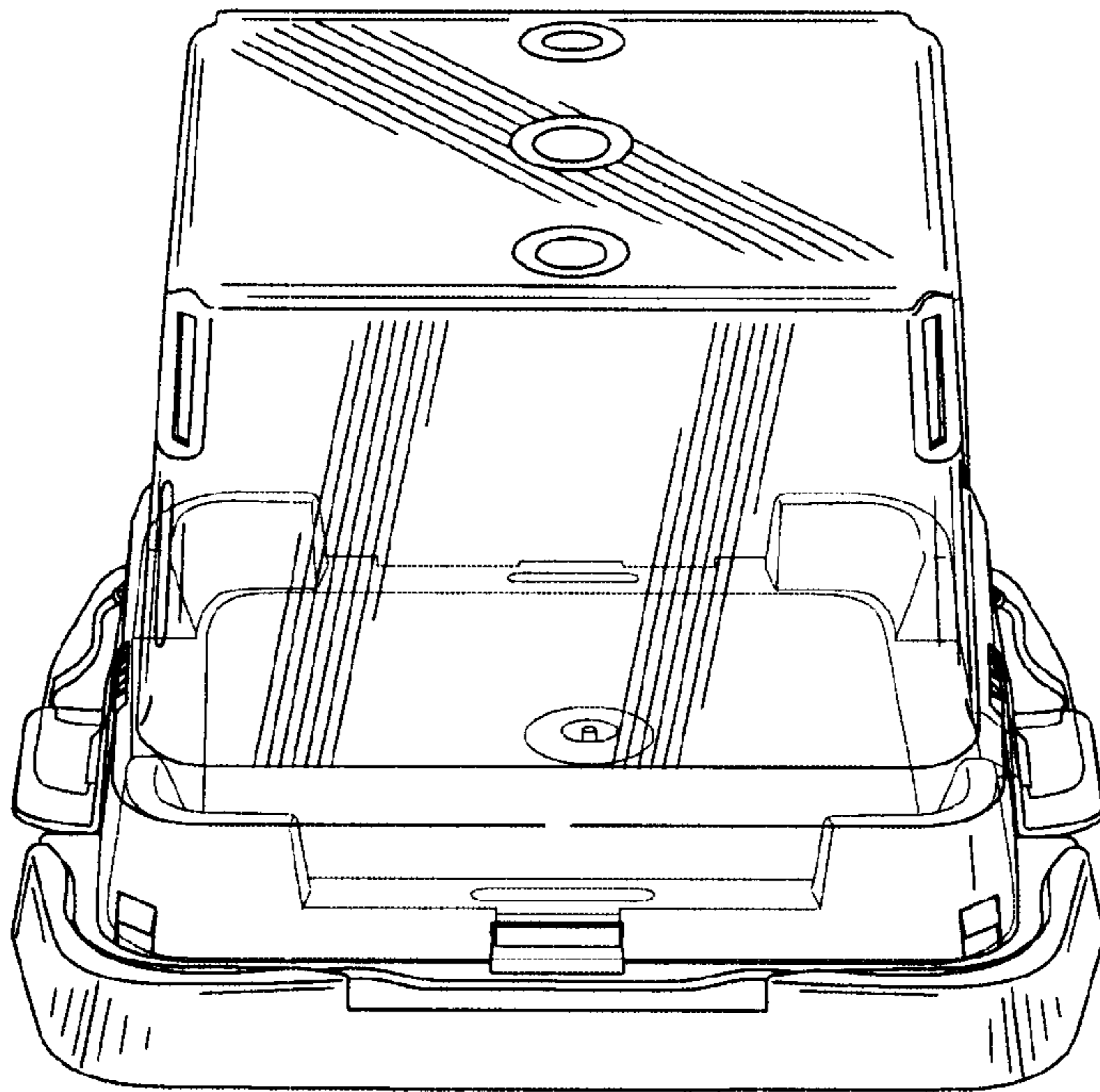
*FIG. 1.*



*FIG. 2.*



*FIG. 3.*



*FIG. 4.*