



US00D475912S

(12) **United States Design Patent**  
**Vito**

(10) **Patent No.:** **US D475,912 S**

(45) **Date of Patent:** **\*\* Jun. 17, 2003**

- (54) **LINK FOR A SECURITY CHAIN**
- (76) Inventor: **Robert A. Vito**, 1434 Sugartown Rd.,  
Berwyn, PA (US) 19312
- (\*\*) Term: **14 Years**
- (21) Appl. No.: **29/170,617**
- (22) Filed: **Nov. 8, 2002**
- (51) **LOC (7) Cl.** ..... **08-99**
- (52) **U.S. Cl.** ..... **D8/499**
- (58) **Field of Search** ..... D8/499, 17; D11/13,  
D11/79-80, 93; 70/14, 18, 58; 59/78, 80,  
83-85, 90, 93; 280/457, 480, 507; 474/209,  
218-220, 226-228, 230-236

- 3,996,737 A 12/1976 Burstall
- 4,068,467 A 1/1978 Schreyer et al.
- D254,126 S 2/1980 Beniya
- 4,497,169 A 2/1985 Millington
- D282,055 S 1/1986 Brinkers
- D308,937 S \* 7/1990 Rybak ..... D8/499
- D315,936 S \* 4/1991 Wilson et al. .... D8/499 X
- D343,349 S \* 1/1994 Byrd, Jr. .... D8/399 X
- 5,308,292 A \* 5/1994 Mistry ..... 59/84 X
- 5,331,802 A \* 7/1994 Varley ..... 59/85
- D361,261 S \* 8/1995 Amburgey et al. .... D8/499
- 5,709,075 A \* 1/1998 Wu ..... 59/78 X
- 5,732,967 A 3/1998 Behling
- 6,170,248 B1 1/2001 Ianello et al.
- 6,243,929 B1 \* 6/2001 Curwood ..... 59/85 X
- 6,256,974 B1 \* 7/2001 Shanks, Sr. .... 59/85
- 6,263,658 B1 \* 7/2001 Rosenwasser et al. .... 59/80

(56) **References Cited**  
U.S. PATENT DOCUMENTS

- 105,004 A 7/1870 Short
- D5,544 S 2/1872 Draper
- 145,642 A 12/1873 Frontier et al.
- 189,797 A 4/1877 Seery
- 193,543 A 7/1877 Nortemann
- D11,004 S 1/1879 Lederer
- 214,869 A 4/1879 Barrows
- D11,790 S 5/1880 Seery
- 230,531 A 7/1880 Davidson
- 324,281 A 8/1885 Veit
- 904,846 A \* 11/1908 Costello ..... 59/83
- 1,114,289 A 10/1914 Rittenhouse
- D61,359 S 8/1922 Benjamin
- 1,810,978 A 6/1931 Moore
- D98,621 S 2/1936 Ritter
- 2,192,946 A 3/1940 Towner
- 2,242,783 A 5/1941 Grau
- 3,028,725 A 4/1962 Stevens
- 3,461,666 A 8/1969 Burstall
- 3,545,200 A 12/1970 Fagan
- RE28,746 E \* 3/1976 Bruce ..... 59/78

\* cited by examiner

*Primary Examiner*—Brian N. Vinson

(74) *Attorney, Agent, or Firm*—Volpe and Koenig, P.C.

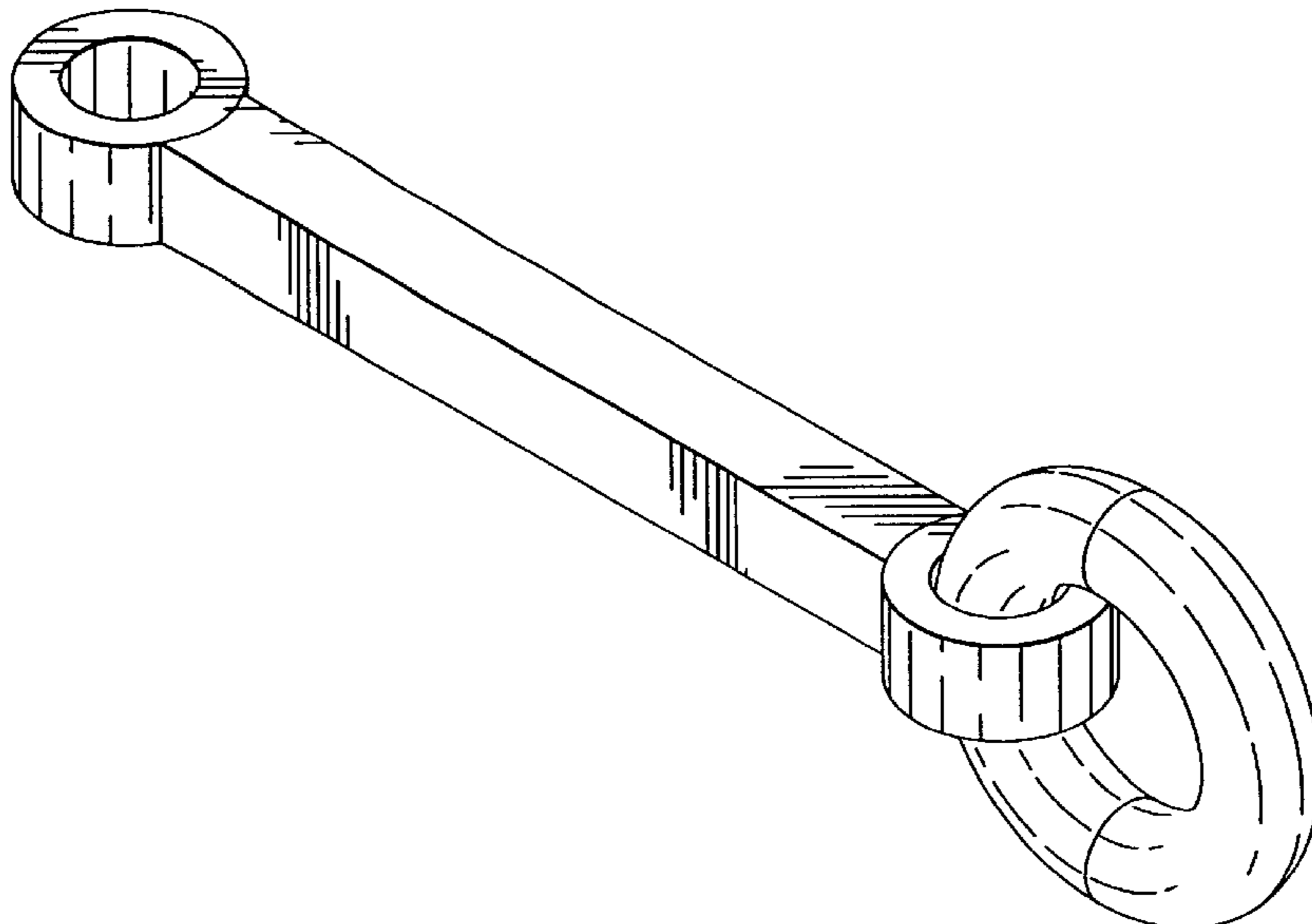
(57) **CLAIM**

I claim the ornamental design for a link for a security chain, as shown and described.

**DESCRIPTION**

FIG. 1 is a perspective view of a link for a security chain according to a preferred embodiment of my new design; FIG. 2 is a front elevational view of the link for a security chain of FIG. 1; FIG. 3 is a rear elevational view of the link for a security chain of FIG. 1; FIG. 4 is a top plan view of the link for a security chain of FIG. 1, the bottom plan view being the same; and, FIG. 5 is a right side elevational view of the link for a security chain of FIG. 1, the left side elevational view being a mirror image thereof.

**1 Claim, 1 Drawing Sheet**



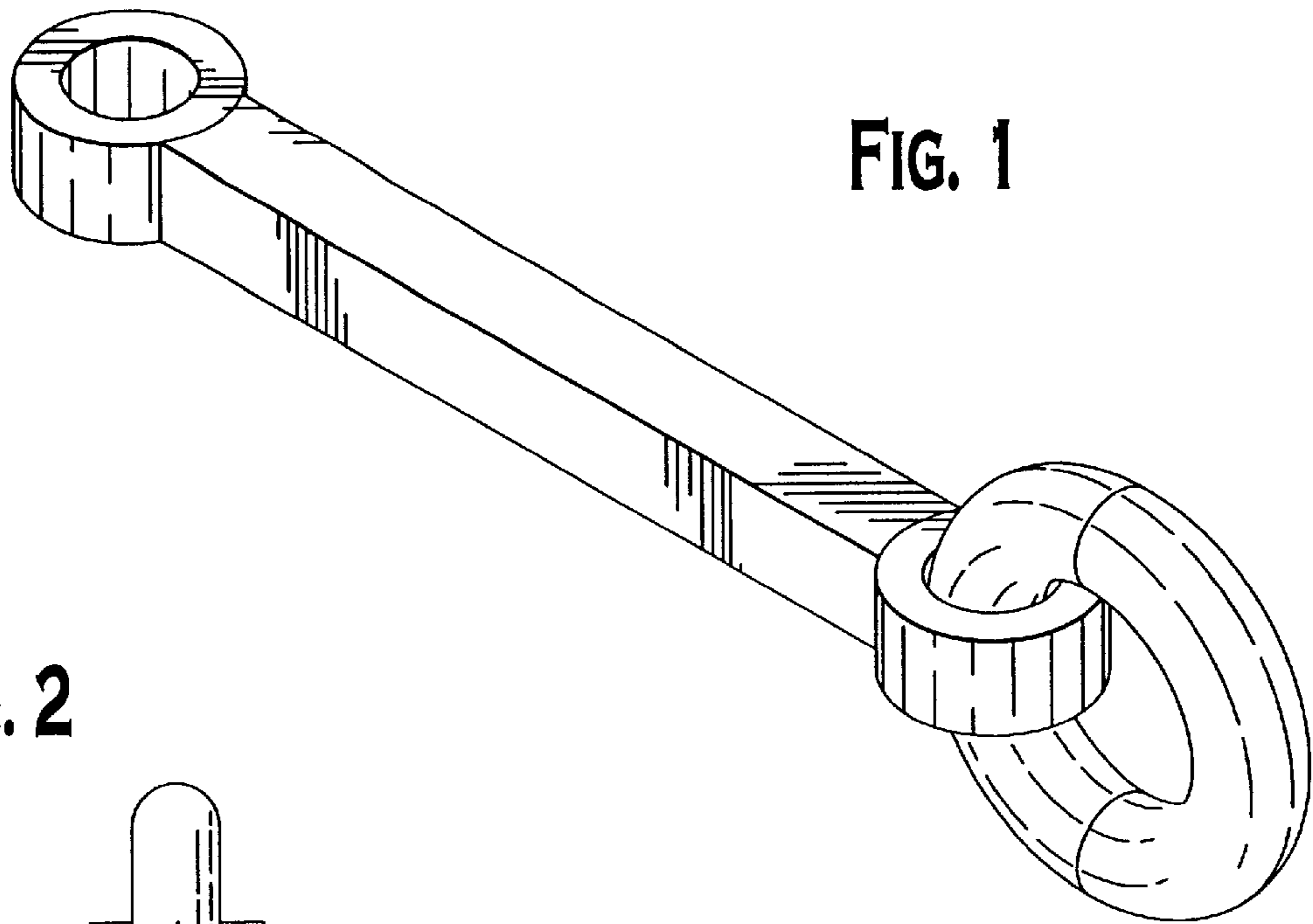


FIG. 2

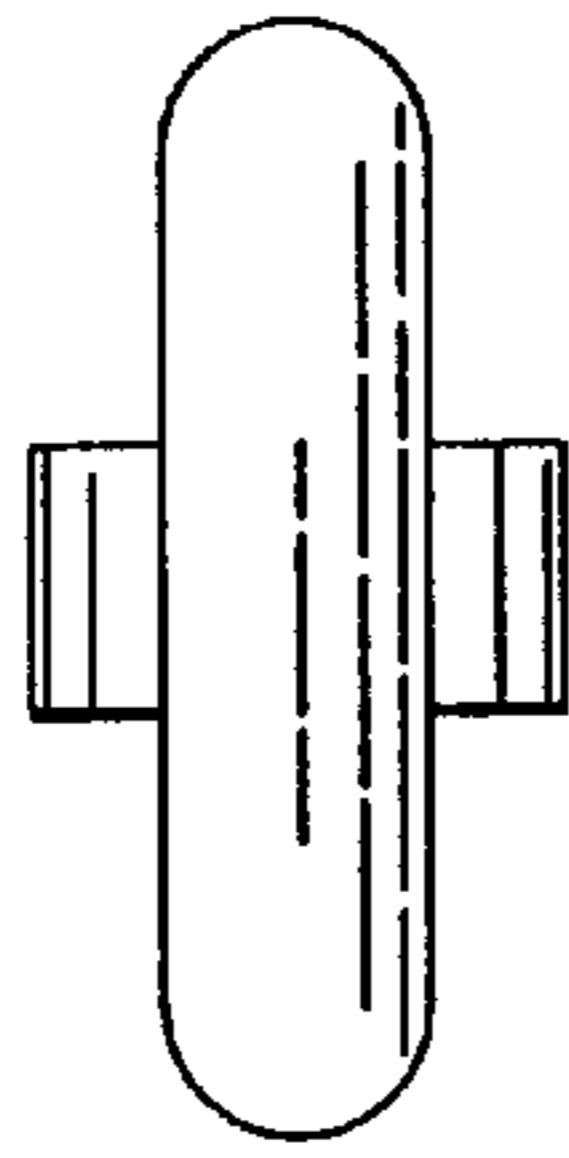


FIG. 3

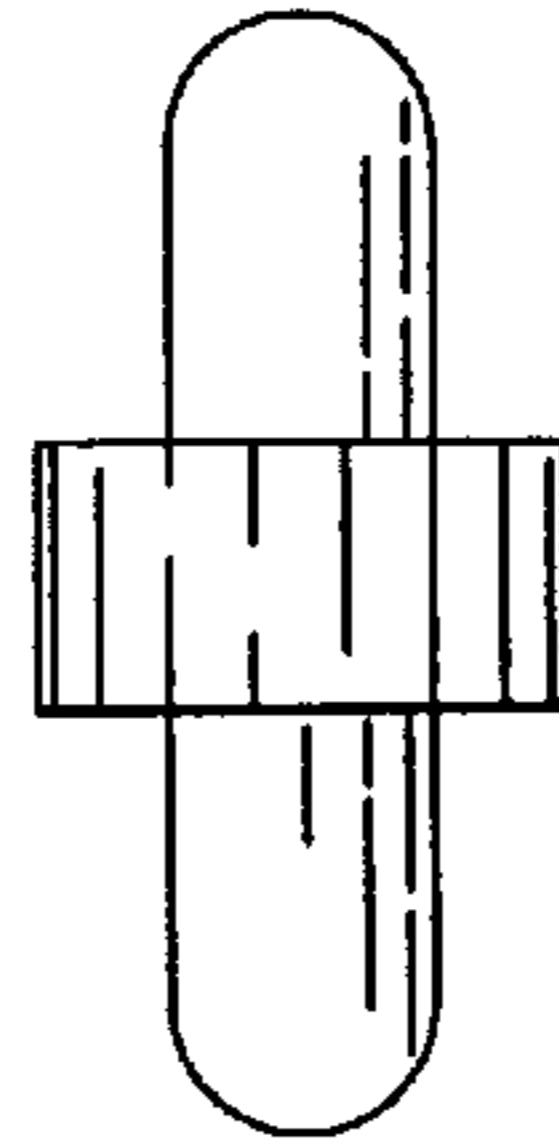


FIG. 4

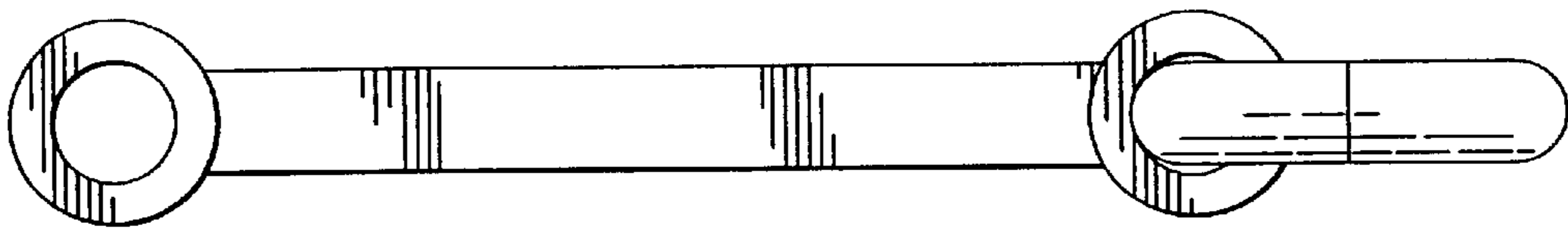


FIG. 5

