



US00D475908S

(12) **United States Design Patent**
Boyer

(10) **Patent No.:** **US D475,908 S**

(45) **Date of Patent:** **** Jun. 17, 2003**

(54) **POWER TOOL**

(75) **Inventor:** **Christopher T. Boyer**, Oak Park, IL
(US)

(73) **Assignee:** **WMH Tool Group, Inc.**, Palatine, IL
(US)

(**) **Term:** **14 Years**

5,595,532 A	1/1997	McCracken
D378,002 S	2/1997	Hung
5,642,008 A	6/1997	McCracken
5,678,272 A	10/1997	McCracken et al.
D391,698 S	3/1998	McCracken et al.
D392,778 S	3/1998	McCracken
5,830,047 A	11/1998	McCracken
D414,666 S	* 10/1999	Cortes D8/62
6,168,507 B1	1/2001	McCracken
6,290,587 B1	9/2001	McCracken et al.

(21) **Appl. No.:** **29/162,046**

(22) **Filed:** **Jun. 7, 2002**

(51) **LOC (7) Cl.** **08-05**

(52) **U.S. Cl.** **D8/61**

(58) **Field of Search** D8/61, 62, 67,
D8/69, 70; D32/15, 17, 19; 15/97.1, 98;
310/50; 451/294, 344, 351, 353, 354, 355,
356, 357, 358, 359, 451, 453, 456

* cited by examiner

Primary Examiner—Doris V. Coles

Assistant Examiner—Elizabeth Albert

(74) *Attorney, Agent, or Firm*—Fitch, Even, Tabin &
Flannery

(57) **CLAIM**

I claim the ornamental design for a power tool, as shown and described.

(56) **References Cited**

U.S. PATENT DOCUMENTS

4,102,084 A	7/1978	Bloomquist
D254,231 S	2/1980	Burglin et al.
4,188,682 A	2/1980	Burglin et al.
D264,797 S	6/1982	Burglin et al.
D295,253 S	4/1988	Ashworth
4,791,694 A	12/1988	Itaya et al.
4,965,905 A	10/1990	Kitahata et al.
D312,714 S	12/1990	Simonelli et al.
D313,094 S	12/1990	Itaya et al.
D317,667 S	6/1991	Bolser et al.
D332,734 S	1/1993	Fushiya et al.
D338,754 S	8/1993	Skrzypek et al.
D349,789 S	8/1994	Bunyea
5,419,737 A	5/1995	Brazell et al.
5,593,312 A	1/1997	McCracken
5,595,531 A	1/1997	Niemela et al.

DESCRIPTION

FIG. 1 is a perspective view of a power tool according to my new design, the broken lines of the power tool are for illustrative purposes only and form no part of the claimed design;

FIG. 2 is a top plan view of the power tool of FIG. 1;

FIG. 3 is a left side elevational view of the power tool of FIG. 1;

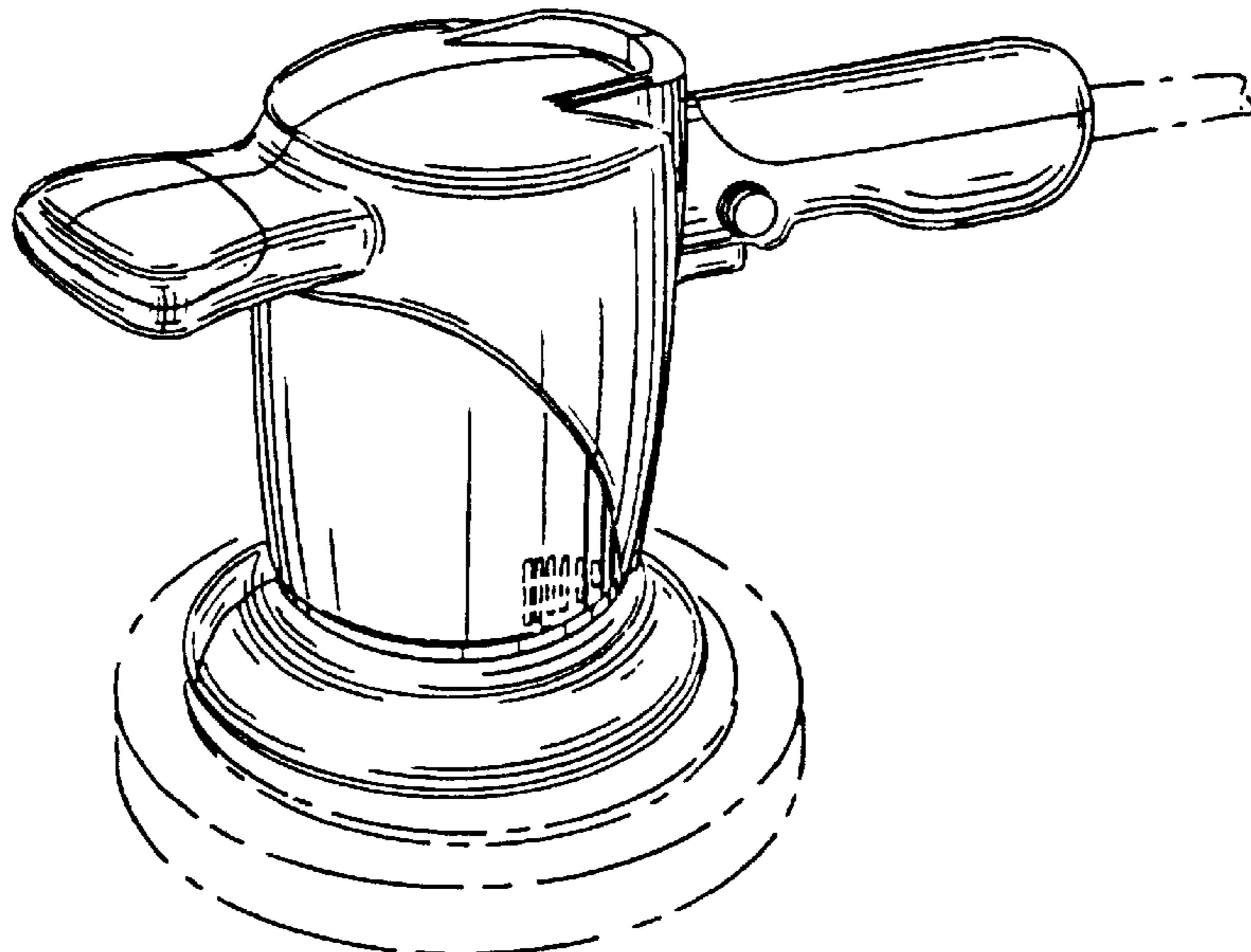
FIG. 4 is a bottom plan view of the power tool of FIG. 1;

FIG. 5 is a right side elevational view of the power tool of FIG. 1;

FIG. 6 is a front elevational view of the power tool of FIG. 1; and,

FIG. 7 is a rear elevational view of the power tool of FIG. 1.

1 Claim, 3 Drawing Sheets



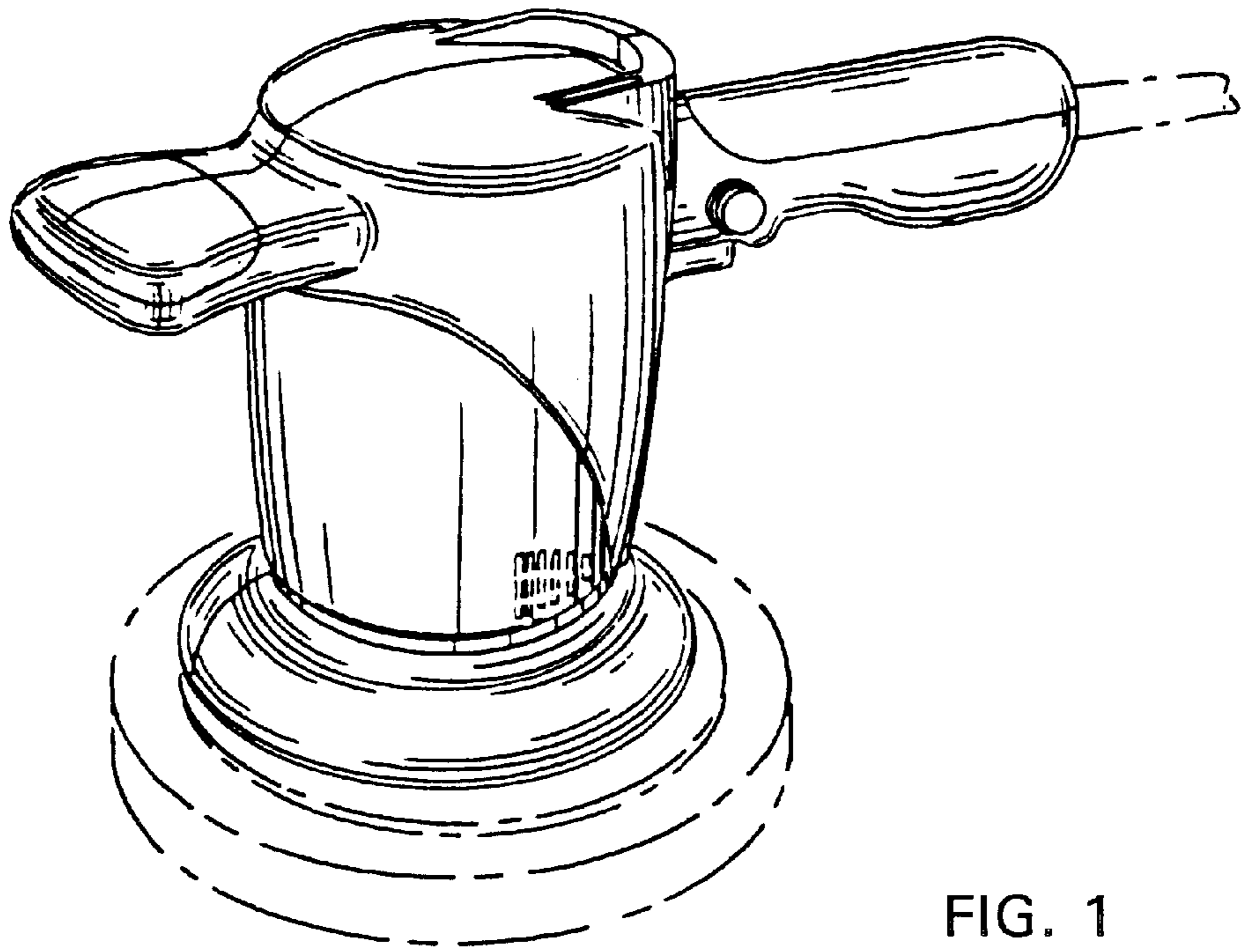


FIG. 1

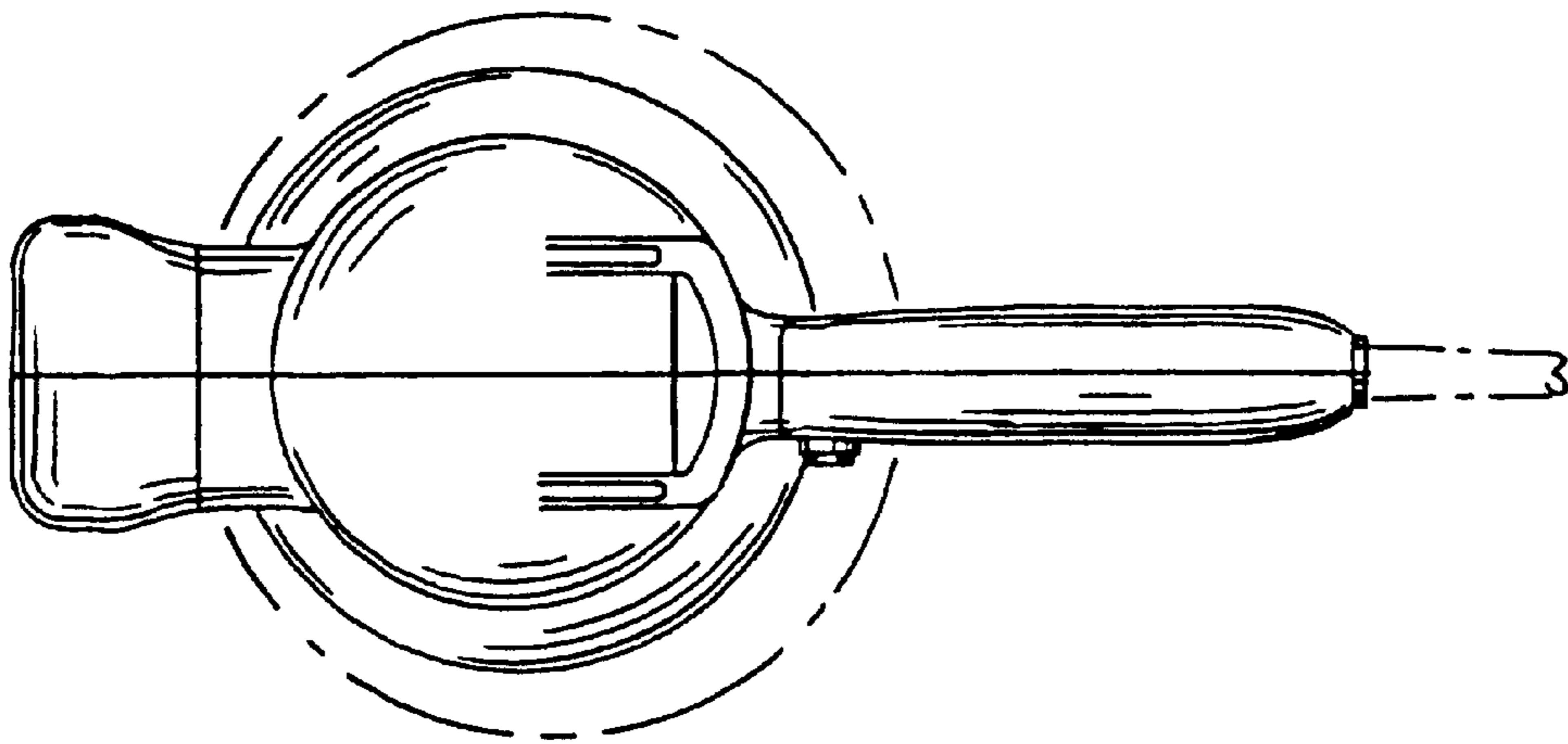


FIG. 2

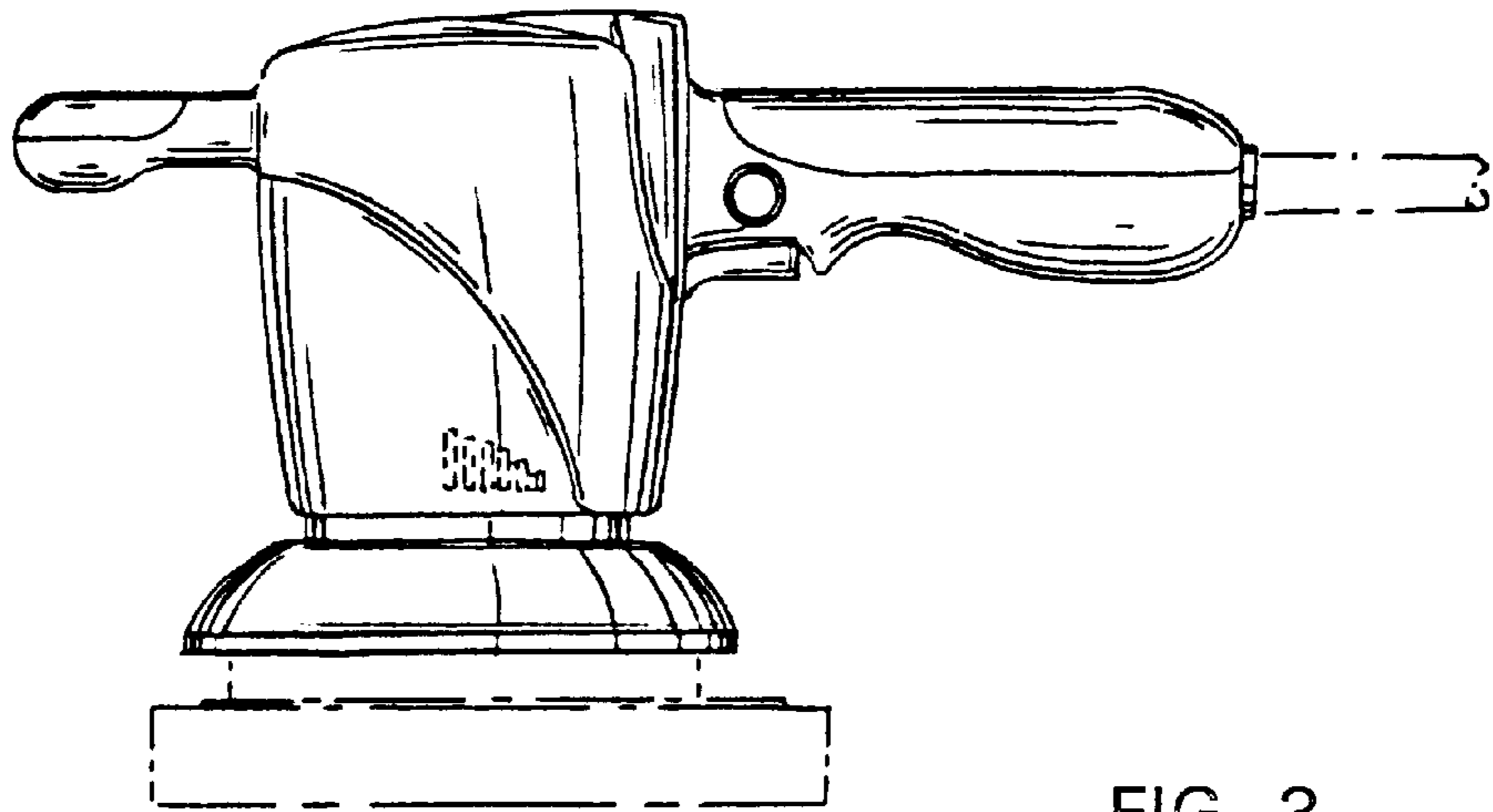


FIG. 3

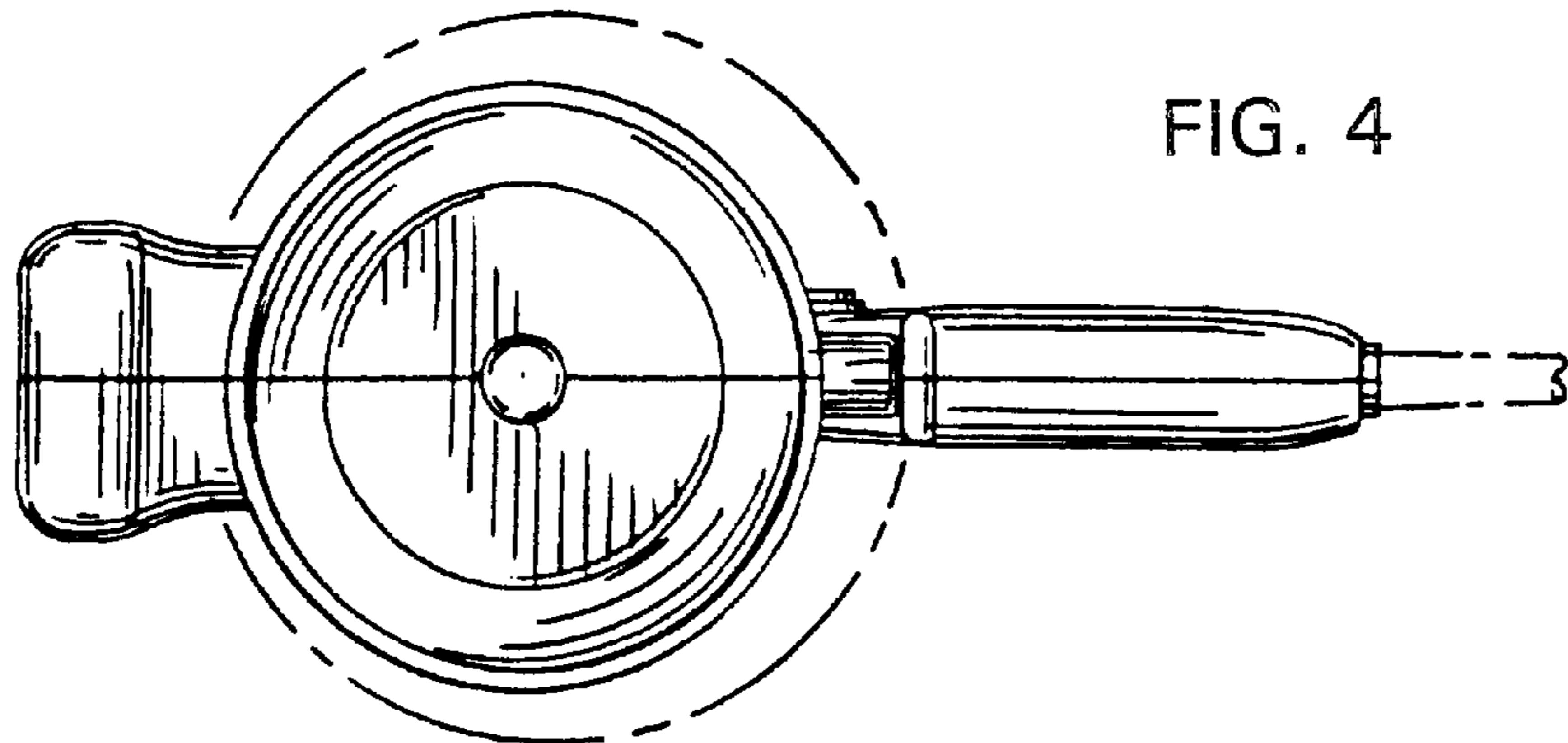


FIG. 4

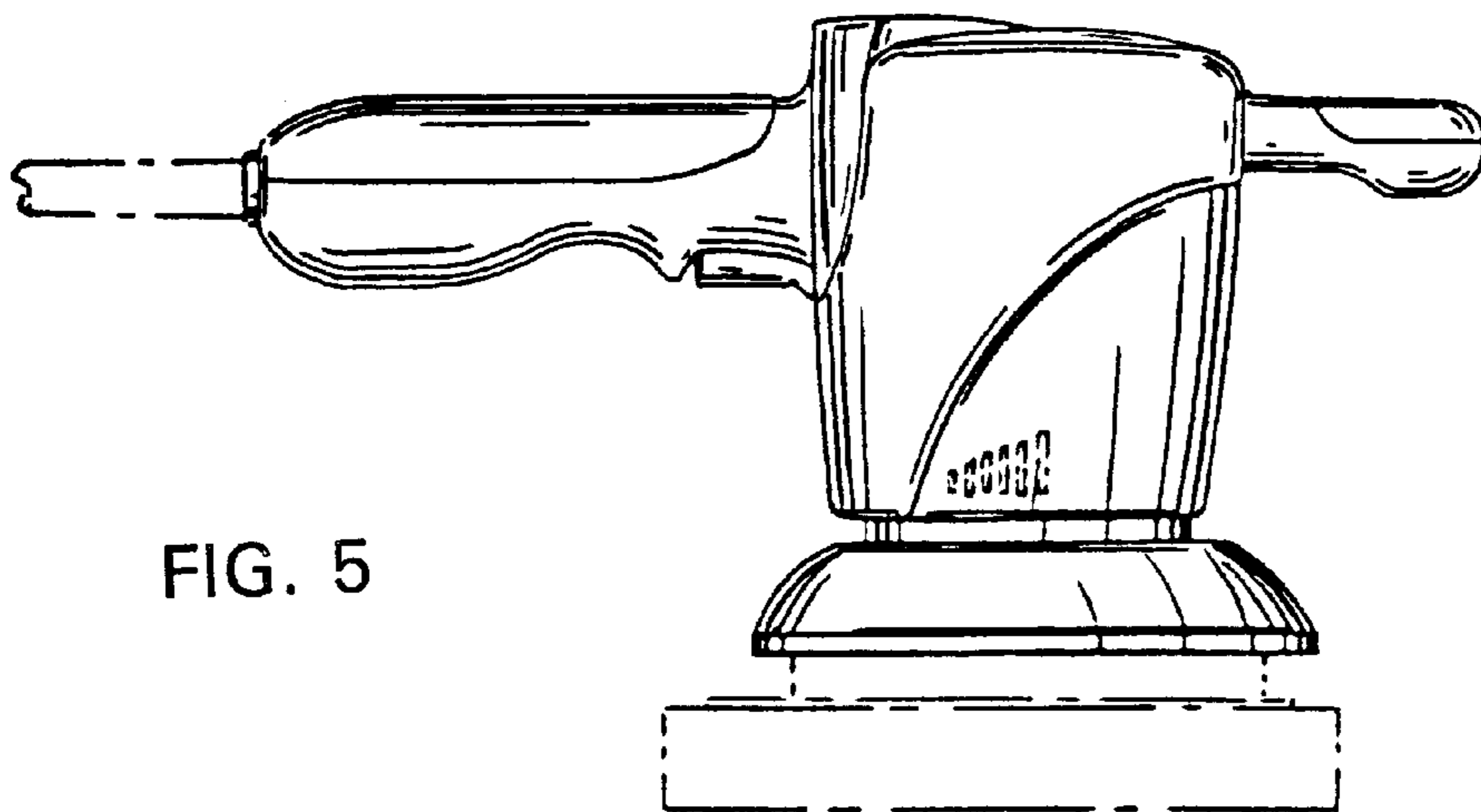


FIG. 5

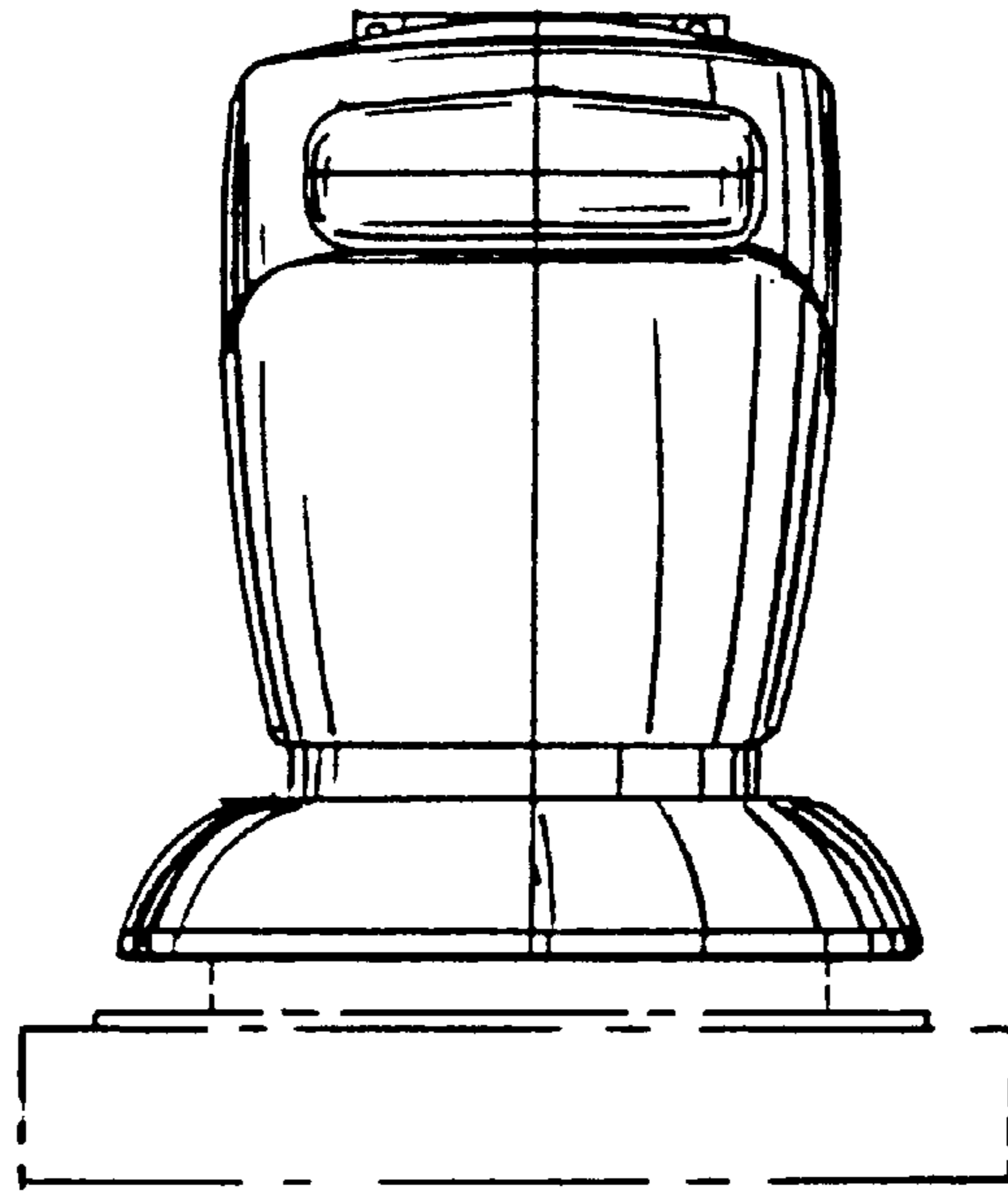


FIG. 6

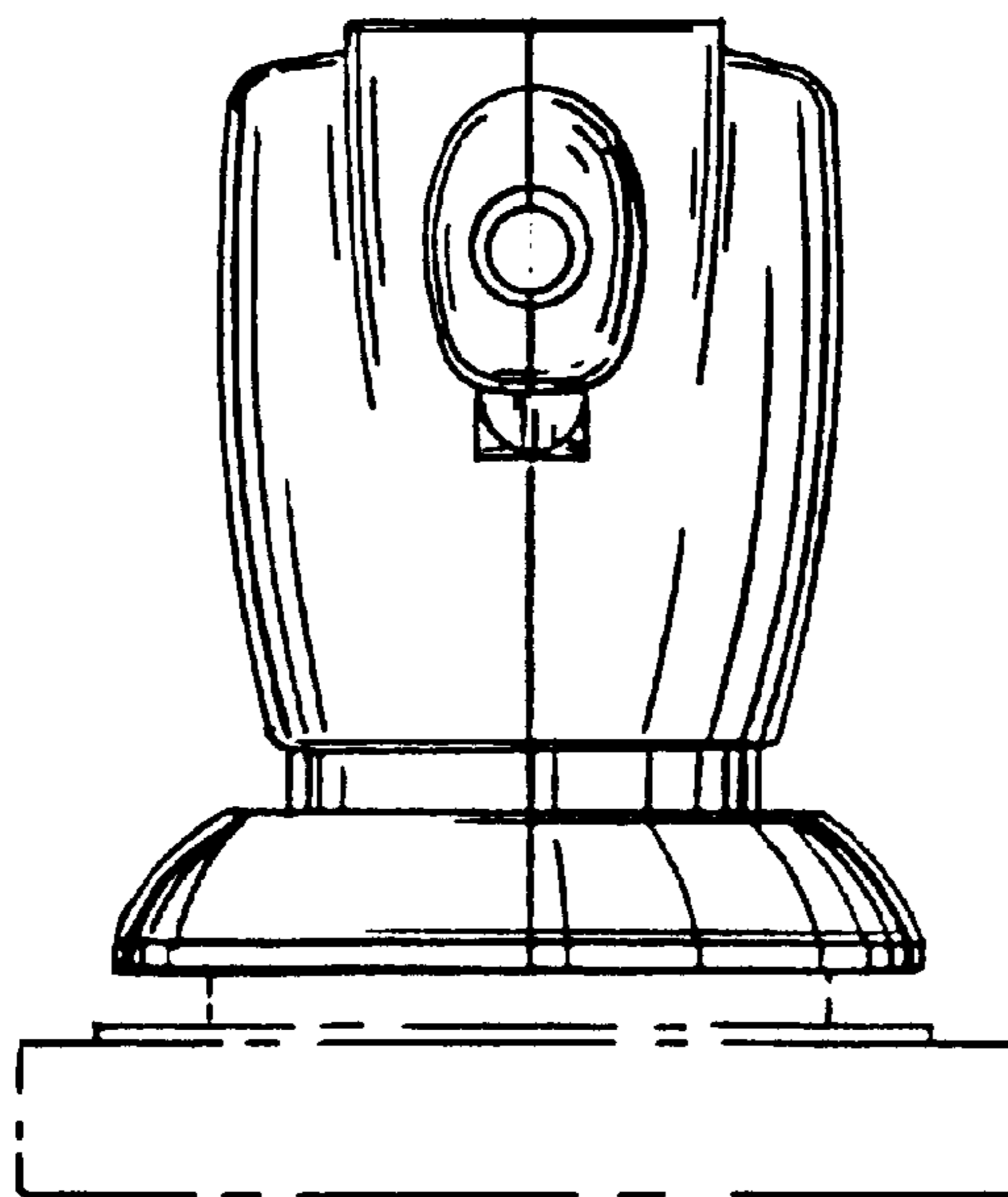


FIG. 7