



US00D475905S

(12) **United States Design Patent**  
**Kröger**

(10) **Patent No.:** **US D475,905 S**

(45) **Date of Patent:** **\*\* Jun. 17, 2003**

(54) **ELECTRIC STAPLER**

D374,385 S \* 10/1996 Herbst et al. .... D8/50  
D445,323 S \* 7/2001 Arns ..... D8/50

(75) Inventor: **Gerd Kröger**, Waiblingen (DE)

**OTHER PUBLICATIONS**

(73) Assignee: **Esselte Leitz GmbH & Co. KG** (DE)

Acco Brands Fact Book, 2001 Catalog pp. 188 (Swingline Electric Staplers).\*

(\*\*) Term: **14 Years**

\* cited by examiner

(21) Appl. No.: **29/144,815**

*Primary Examiner*—Adir Aronovich

(22) Filed: **Jul. 11, 2001**

(74) *Attorney, Agent, or Firm*—Pendorf & Cutliff

(30) **Foreign Application Priority Data**

Jan. 13, 2001 (DE) ..... 401 00 298

(57) **CLAIM**

(51) **LOC (7) Cl.** ..... **19-02**

The ornamental design for an electric stapler, as shown and described.

(52) **U.S. Cl.** ..... **D8/50; D19/72**

**DESCRIPTION**

(58) **Field of Search** ..... D8/49, 50, 61;  
D19/72; 227/120, 127, 128, 131, 132, 134,  
156, 7

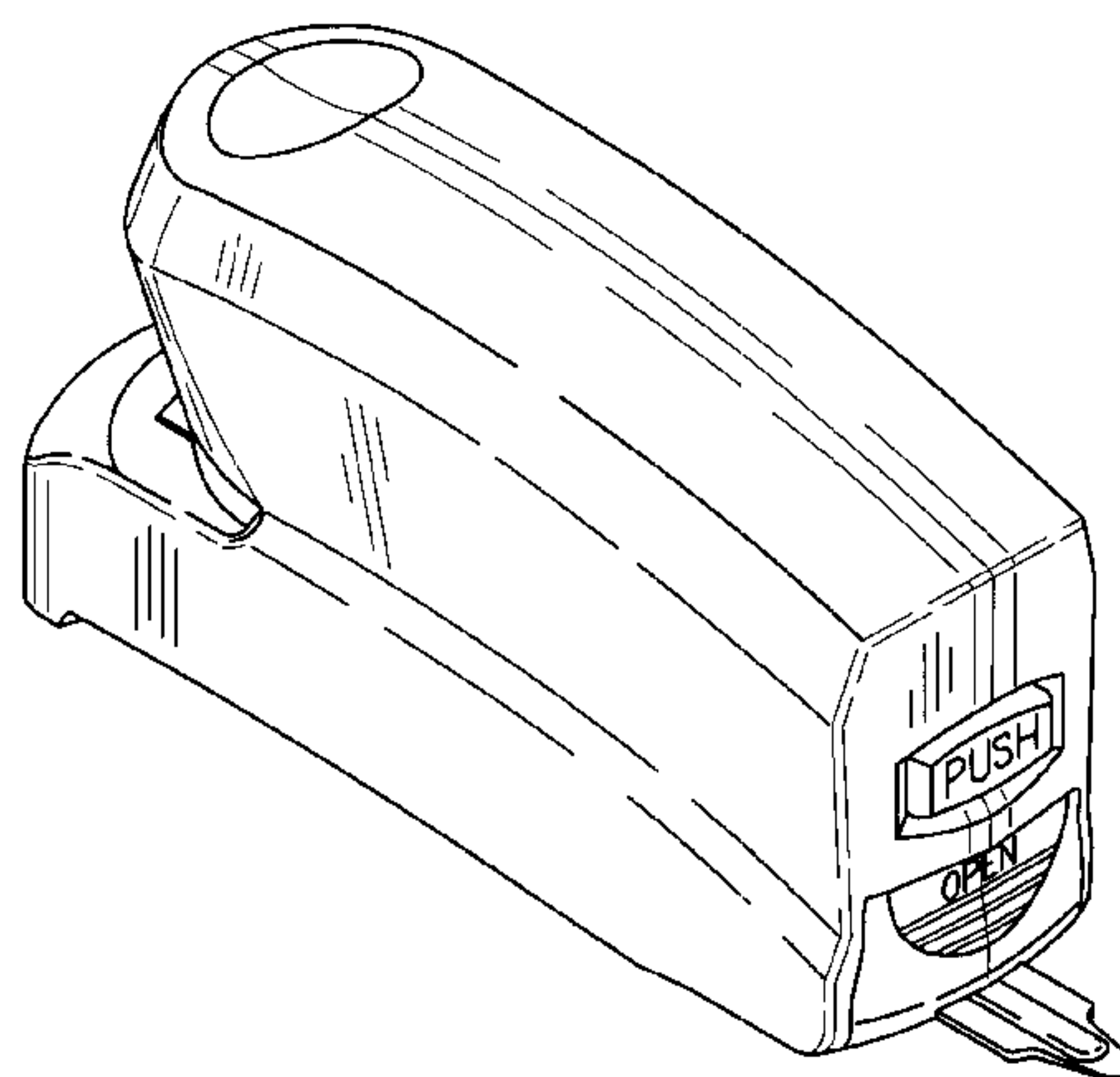
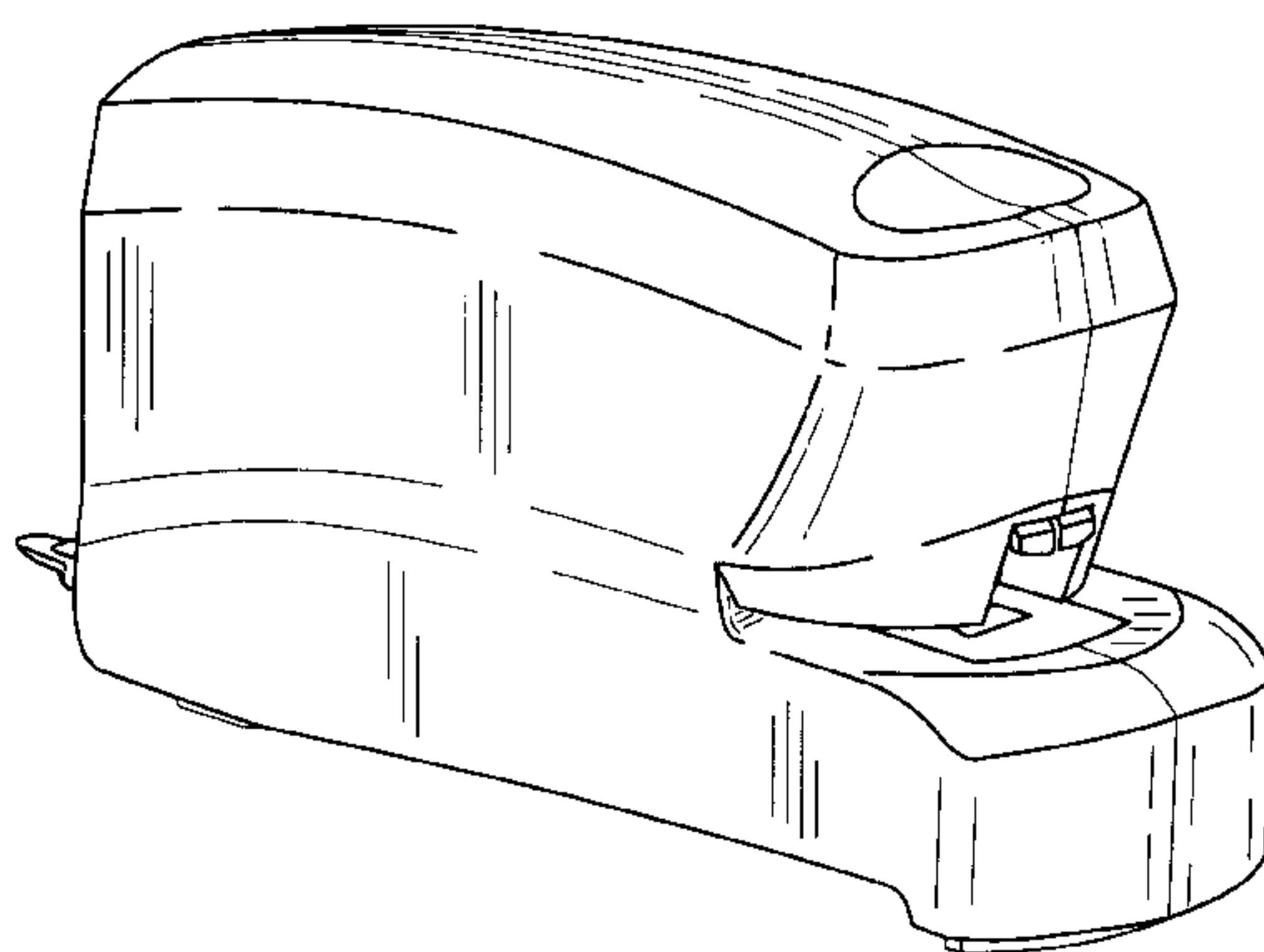
FIG. 1 is a perspective view of an electric stapler design; FIG. 2 is a rear perspective view of the design shown in FIG. 1;  
FIG. 3 is a left side view of the design shown in FIG. 1; FIG. 4 is a right side view of the design shown in FIG. 1; FIG. 5 is a front view of the design shown in FIG. 1; FIG. 6 is a back view of the design shown in FIG. 1.  
FIG. 7 is a top view of the design shown in FIG. 1; and, FIG. 8 is a bottom view of the design shown in FIG. 1.

(56) **References Cited**

**U.S. PATENT DOCUMENTS**

- 2,975,424 A \* 3/1961 Oussani ..... 227/7
- 4,726,505 A \* 2/1988 Okazaki ..... 227/132
- D319,377 S \* 8/1991 Sadashima et al. .... D8/49
- D331,000 S \* 11/1992 Doorley ..... D8/50
- D332,732 S \* 1/1993 Matsuno ..... D8/50
- D336,838 S \* 6/1993 Ishii ..... D8/50

**1 Claim, 3 Drawing Sheets**



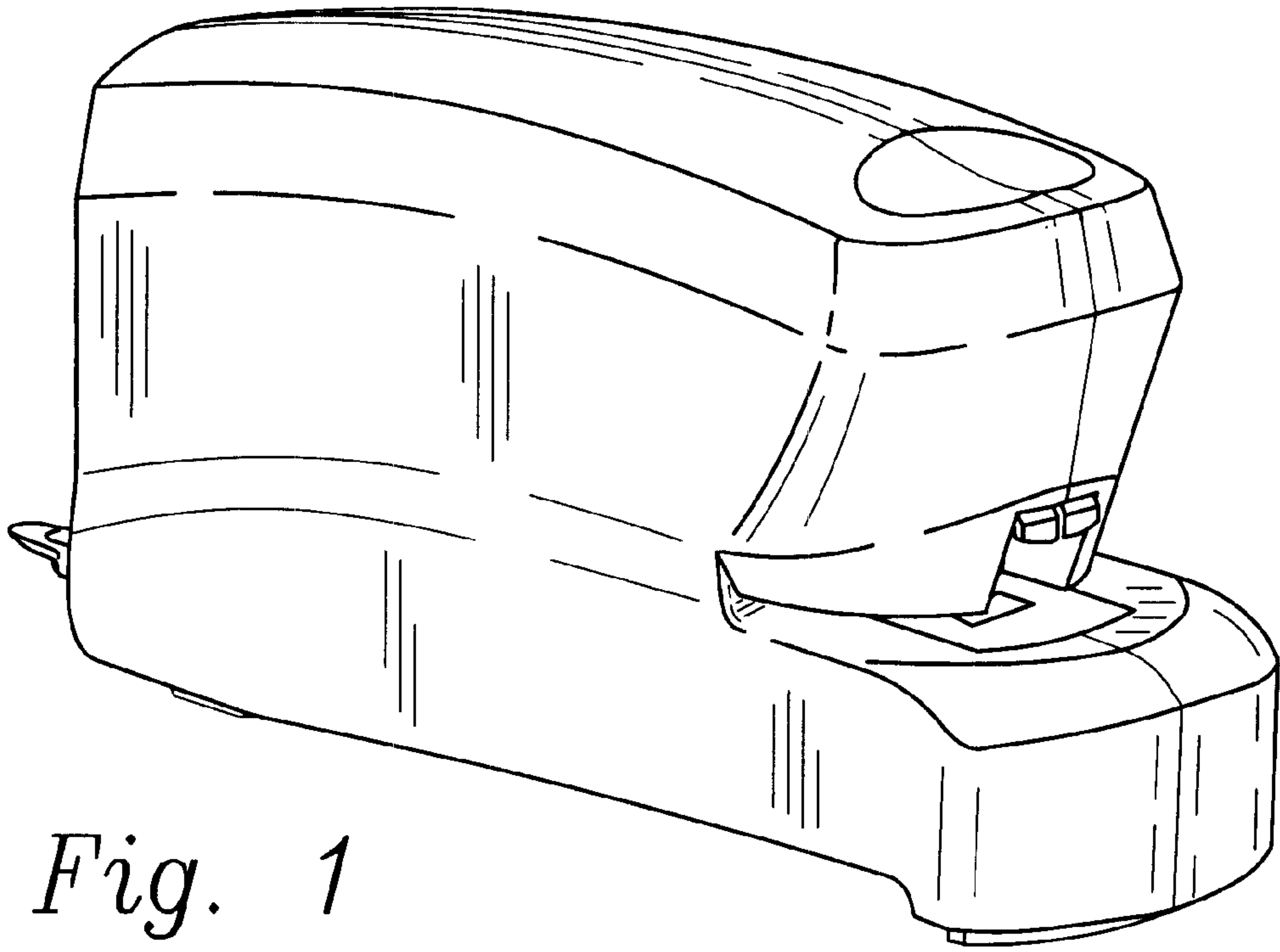


Fig. 1

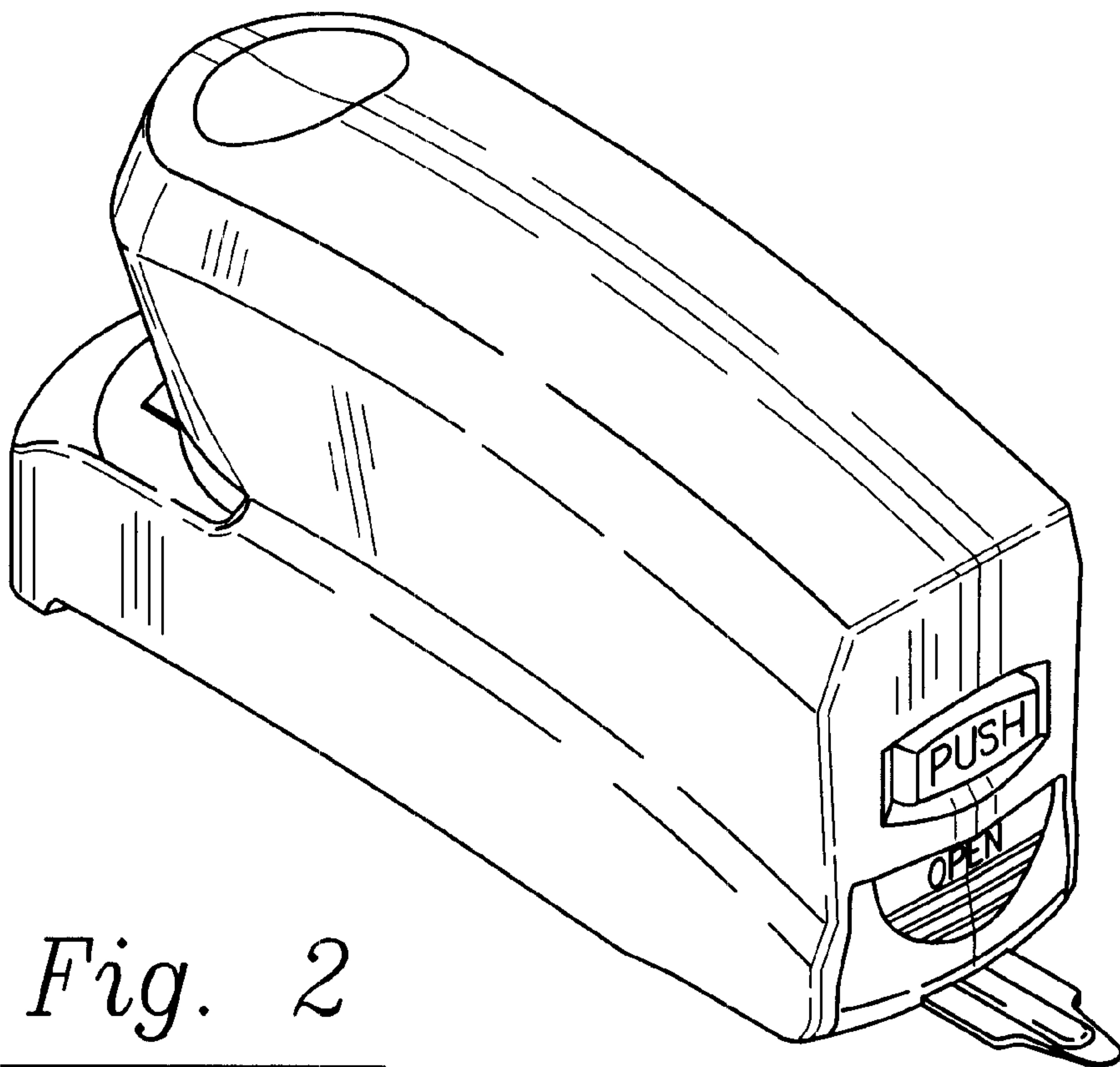


Fig. 2

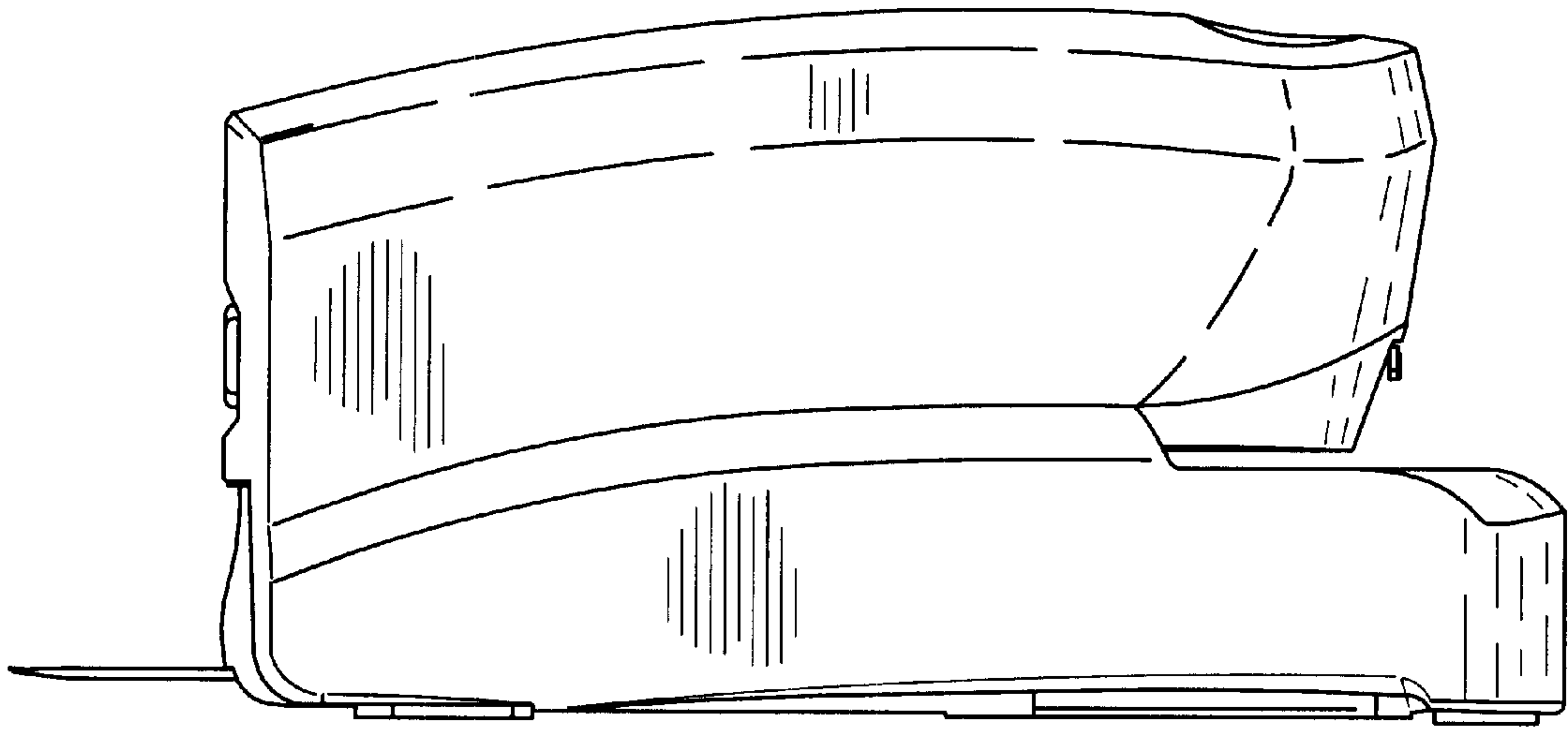


Fig. 3

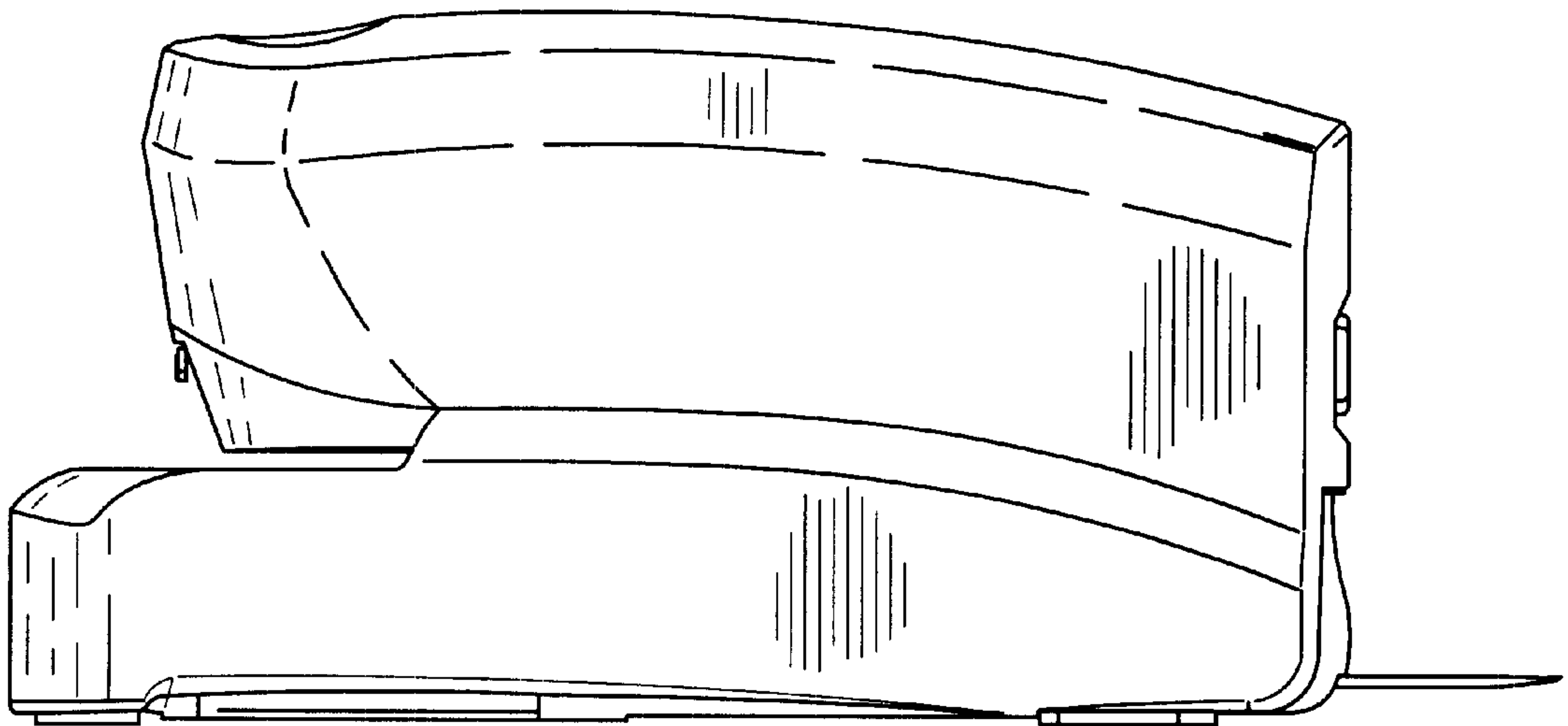


Fig. 4

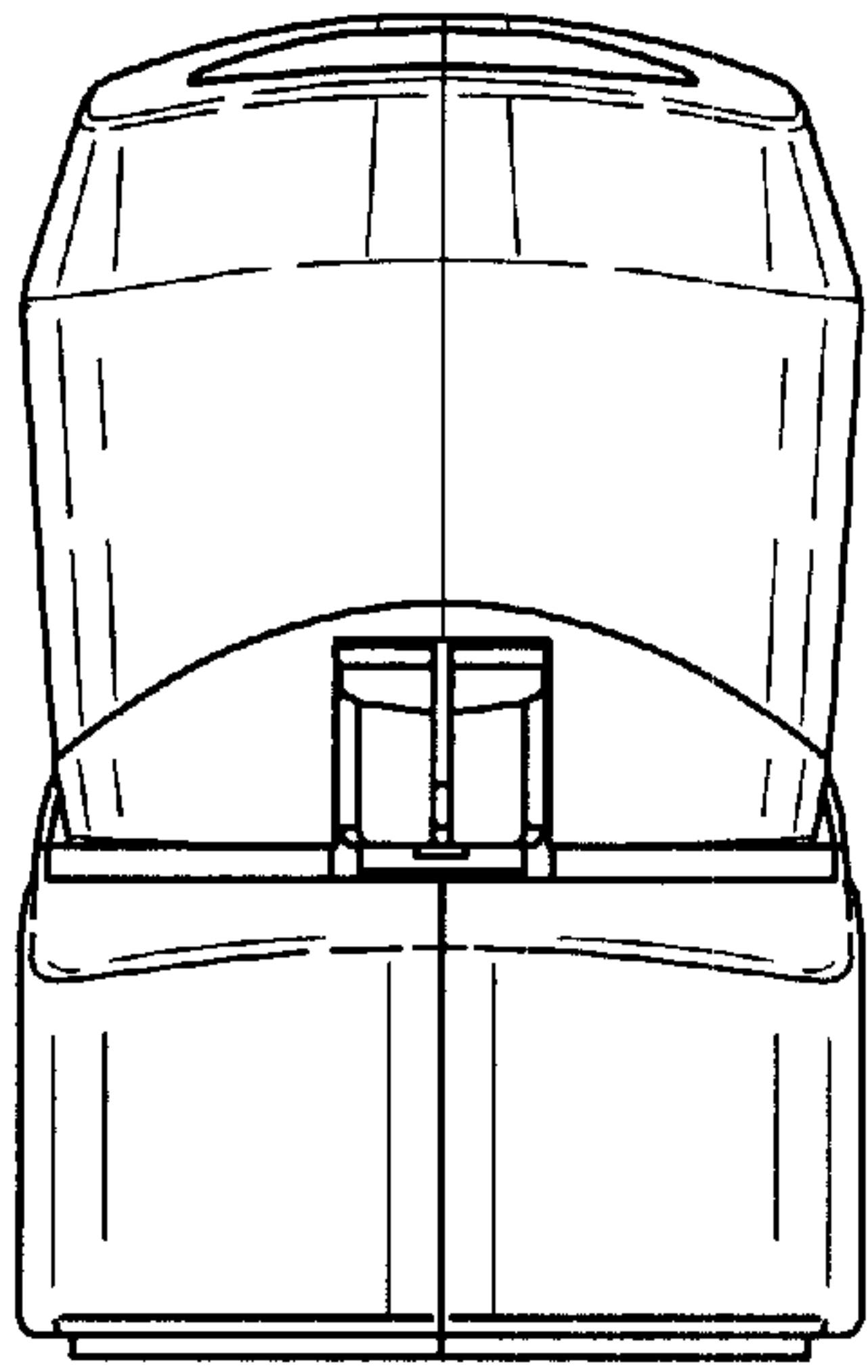


Fig. 5

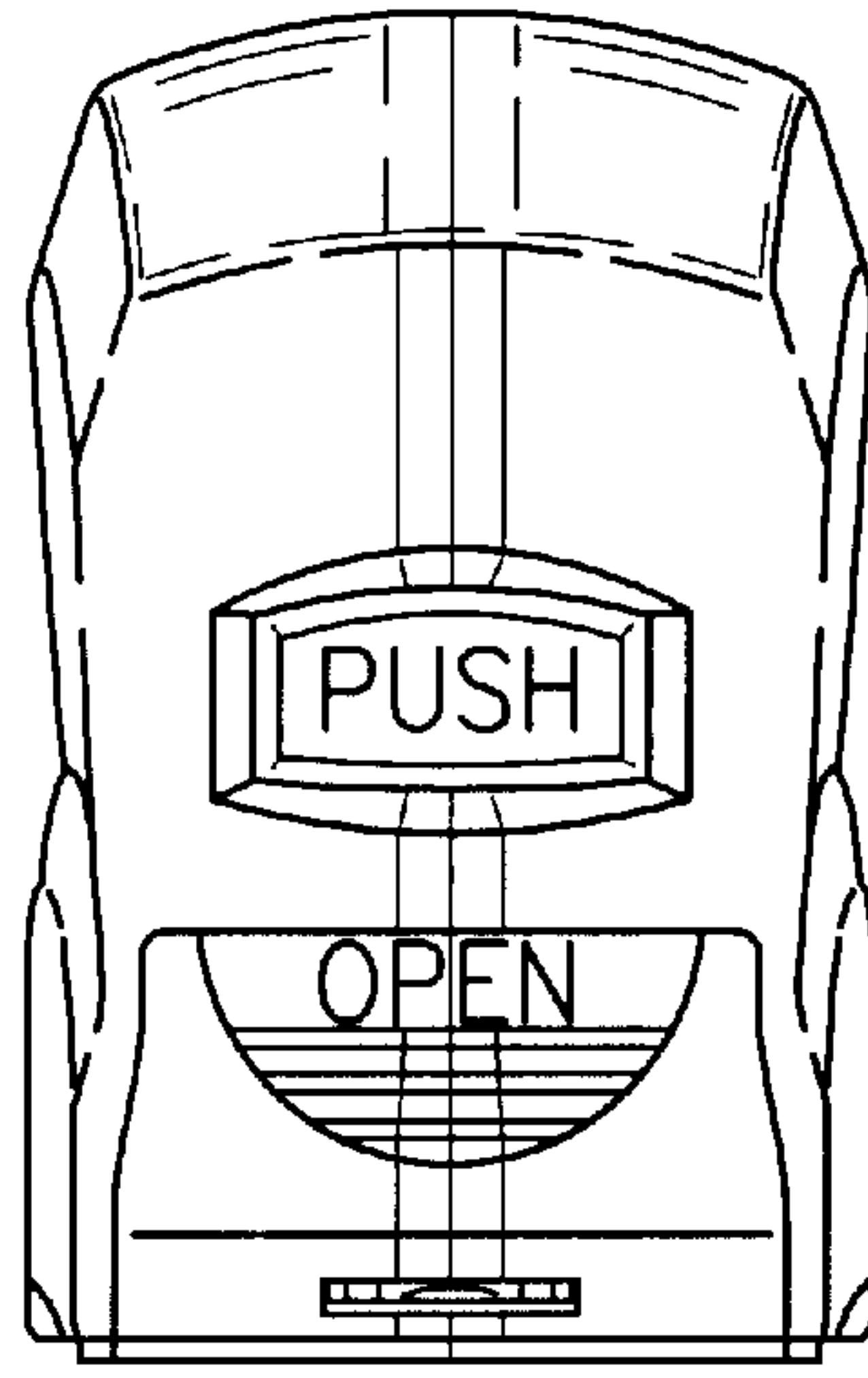


Fig. 6

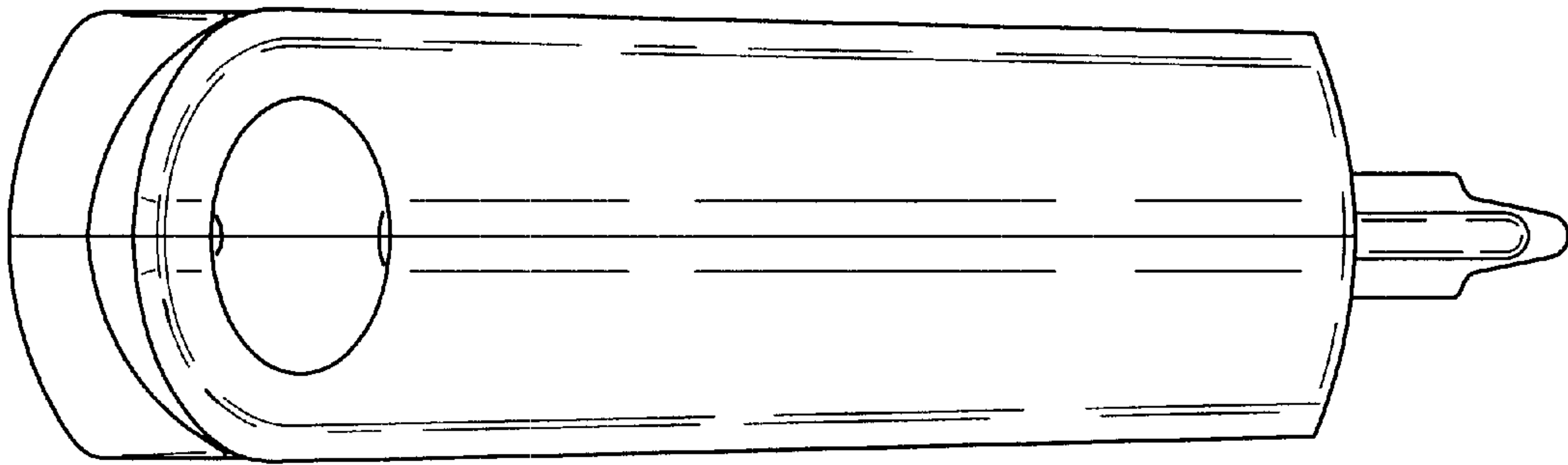


Fig. 7

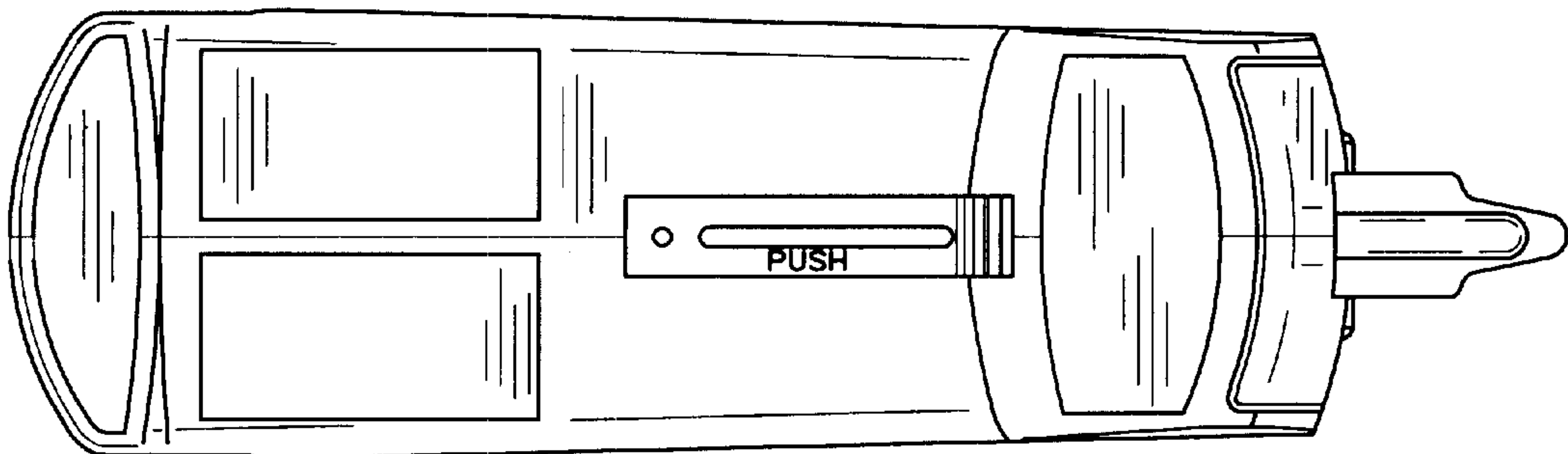


Fig. 8