



US00D475900S

(12) **United States Design Patent**  
**Fisher**

(10) **Patent No.:** **US D475,900 S**

(45) **Date of Patent:** **\*\* Jun. 17, 2003**

(54) **WHISK**

D304,009 S \* 10/1989 Gecchelin ..... D7/690

(76) Inventor: **Joan Angela Fisher**, 6317 West  
Interbay Blvd., Tampa, FL (US) 33611

\* cited by examiner

*Primary Examiner*—Mitchell Siegel

(\*\*) Term: **14 Years**

(57) **CLAIM**

(21) Appl. No.: **29/163,184**

The ornamental design for a whisk, as shown and described.

(22) Filed: **Jun. 28, 2002**

**DESCRIPTION**

(51) **LOC (7) Cl.** ..... **07-04**

(52) **U.S. Cl.** ..... **D7/690**

(58) **Field of Search** ..... D7/682-697; 15/141.1,  
15/141.2; 366/129, 130, 342-344

FIG. 1 is a front elevational view of a whisk showing my new design, the rear elevational view being a mirror image thereof;

FIG. 2 is a side view, taken from the left side of FIG. 1, the right side view being the same thereas;

FIG. 3 is a top plan view thereof;

FIG. 4 is a bottom plan view thereof;

FIG. 5 is a side view thereof in an alternate position; and,

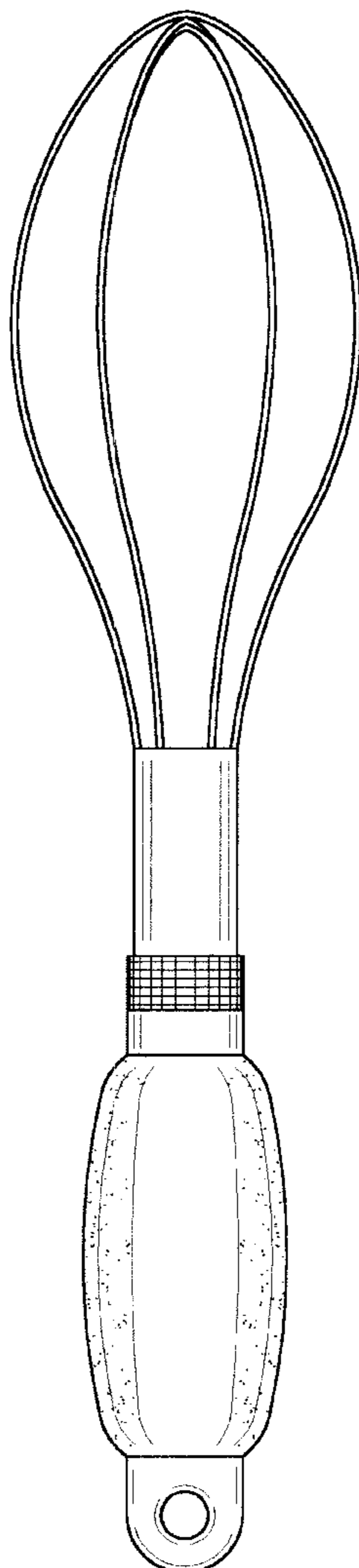
FIG. 6 is a side view thereof in an alternate position.

(56) **References Cited**

**U.S. PATENT DOCUMENTS**

401,058	A	*	4/1889	pfau	.....	416/70	R
1,210,192	A	*	12/1916	Moses	.....	416/70	R
3,412,983	A	*	11/1968	Kesilman et al.	.....	416/70	R
4,735,510	A	*	4/1988	Barbour et al.	.....	366/343	

**1 Claim, 2 Drawing Sheets**



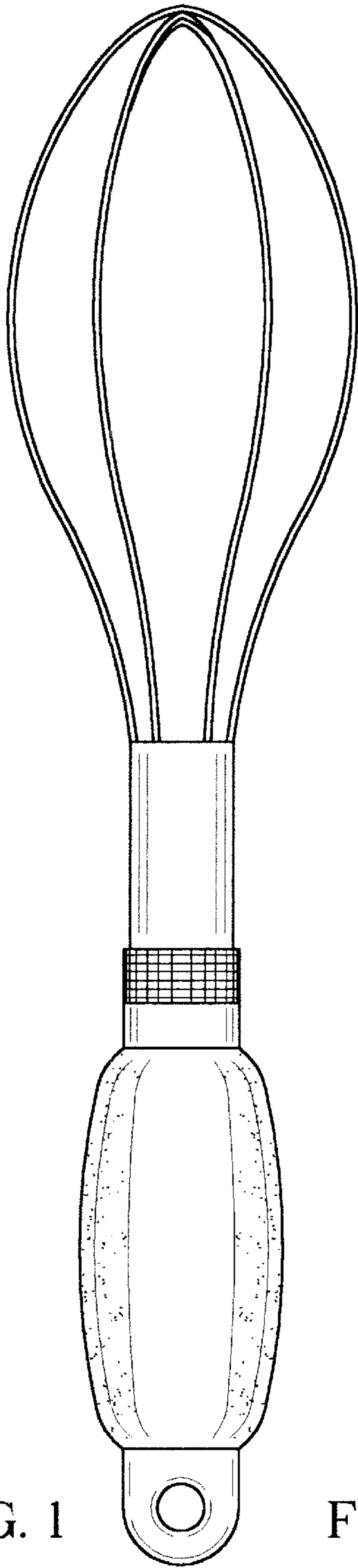


FIG. 1

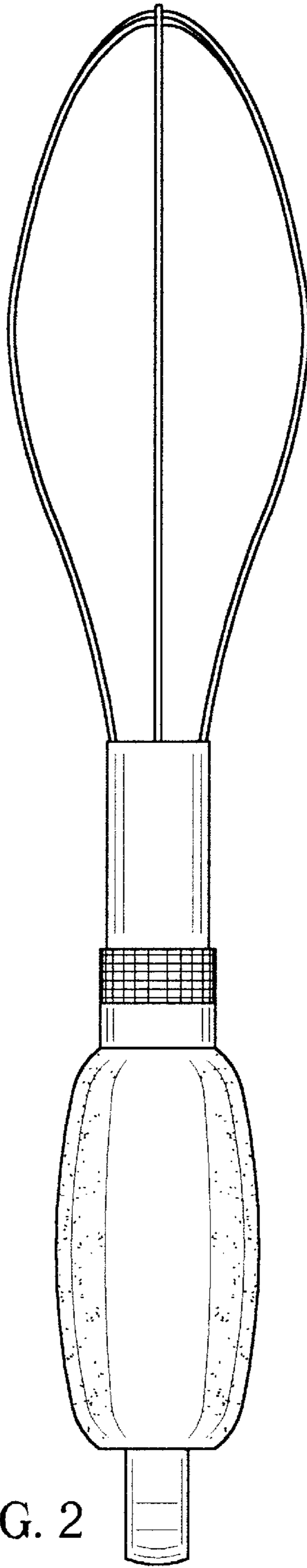


FIG. 2

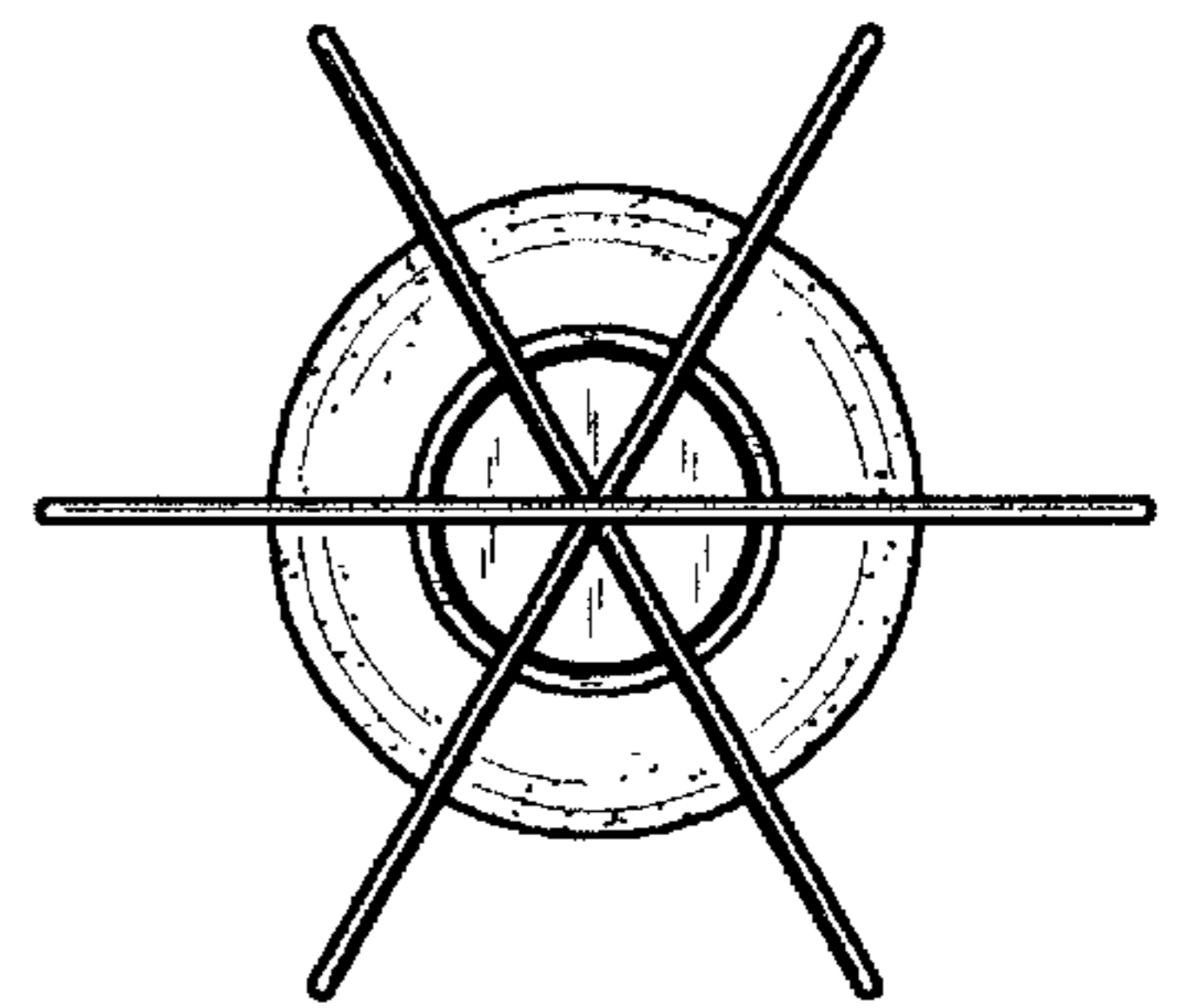


FIG. 3

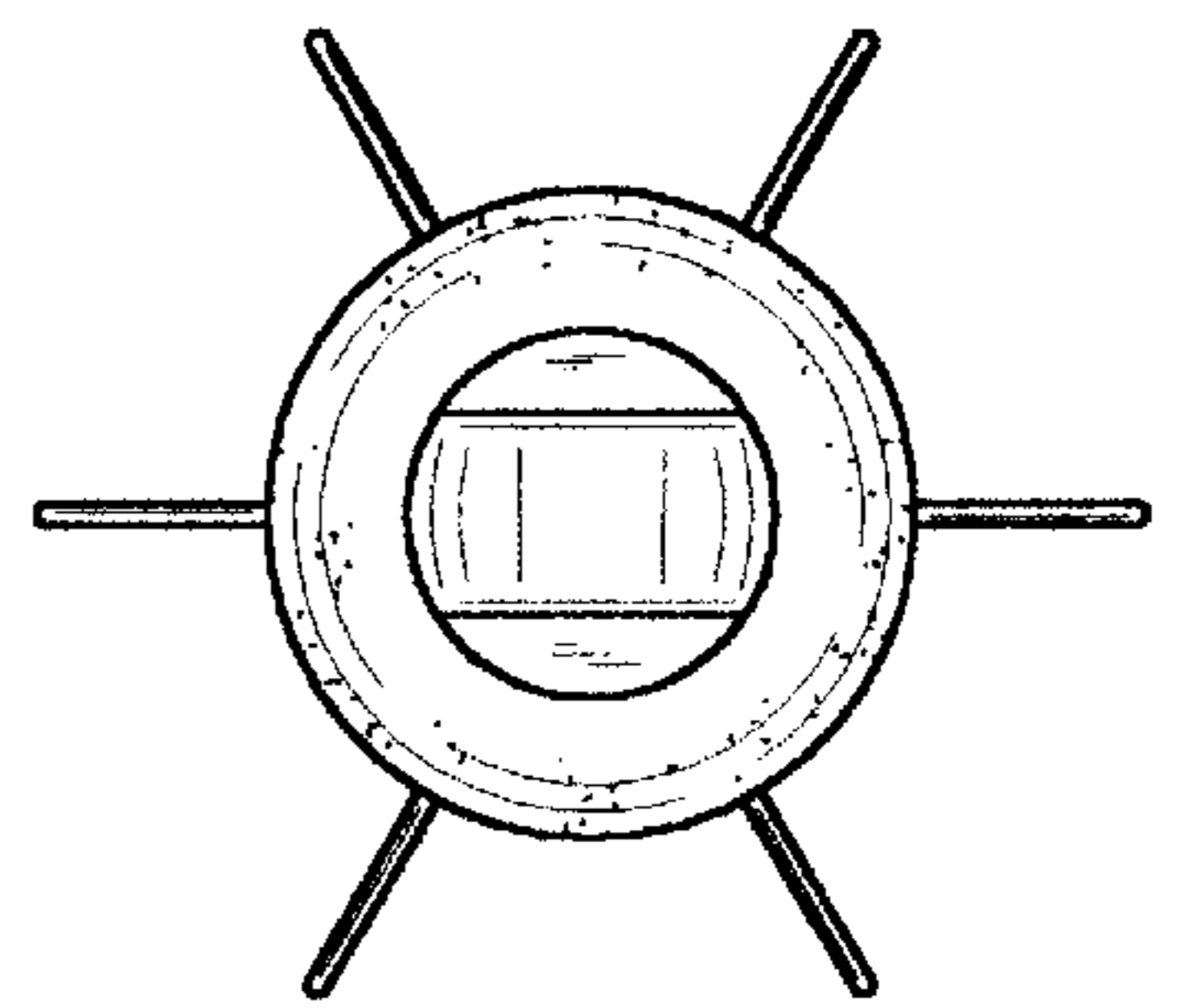


FIG. 4

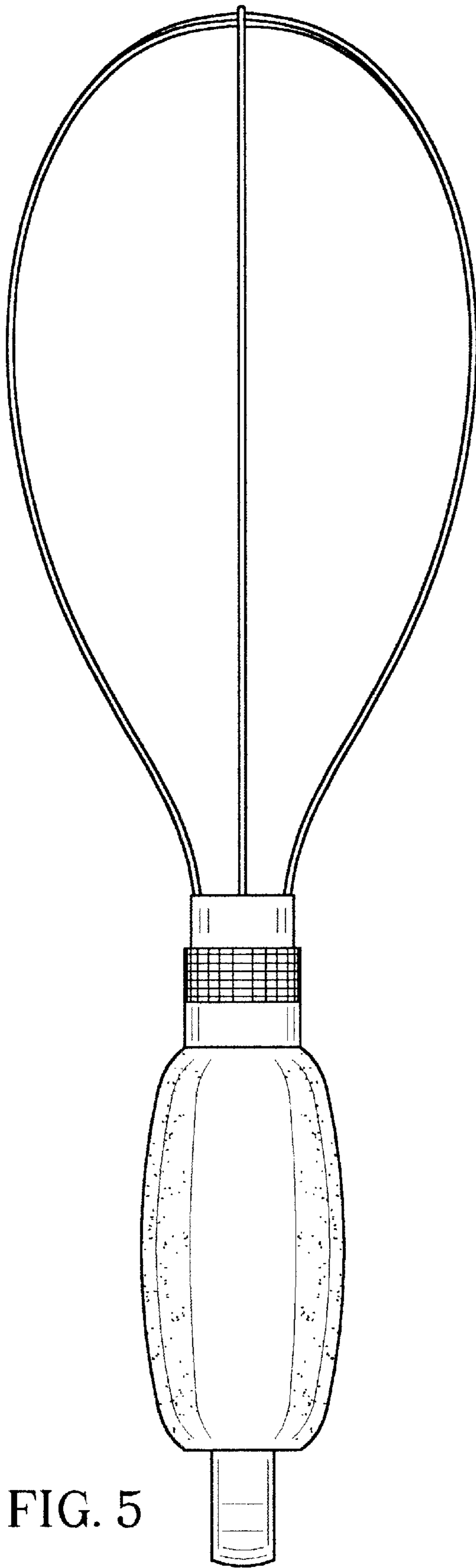


FIG. 5

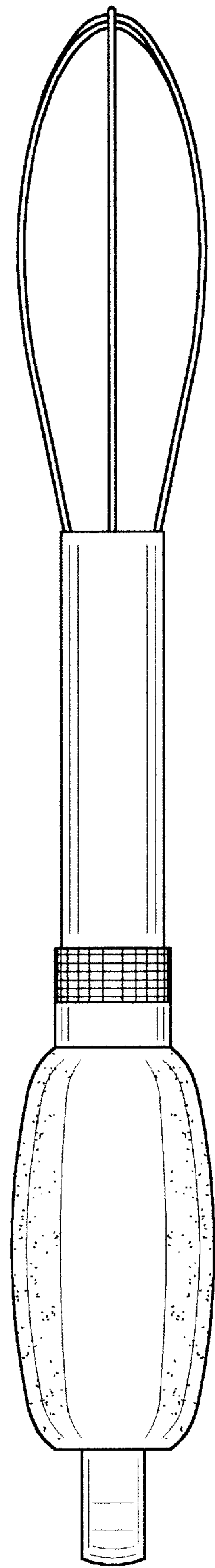


FIG. 6