



US00D475898S

(12) **United States Design Patent**
Kaposi

(10) **Patent No.:** **US D475,898 S**

(45) **Date of Patent:** **** Jun. 17, 2003**

(54) **COMBINED SPOON AND LID REST**

4,790,503 A * 12/1988 Pohler 248/176.2

(75) Inventor: **Sascha Kaposi**, North Seattle, WA (US)

* cited by examiner

(73) Assignee: **Progressive International Corp.**, Kent, WA (US)

Primary Examiner—Terry A. Wallace

(74) *Attorney, Agent, or Firm*—Black Lowe & Graham PLLC

(**) Term: **14 Years**

(57) **CLAIM**

(21) Appl. No.: **29/160,238**

The ornamental design of a combined spoon and lid rest, as shown and described.

(22) Filed: **May 6, 2002**

(51) **LOC (7) Cl.** **07-06**

(52) **U.S. Cl.** **D7/638**

(58) **Field of Search** D7/637-641, 601, D7/600, 624; 211/70.6, 70.7; D6/529, 532, 536; 248/37.3, 37.6, 176.1, 176.2

DESCRIPTION

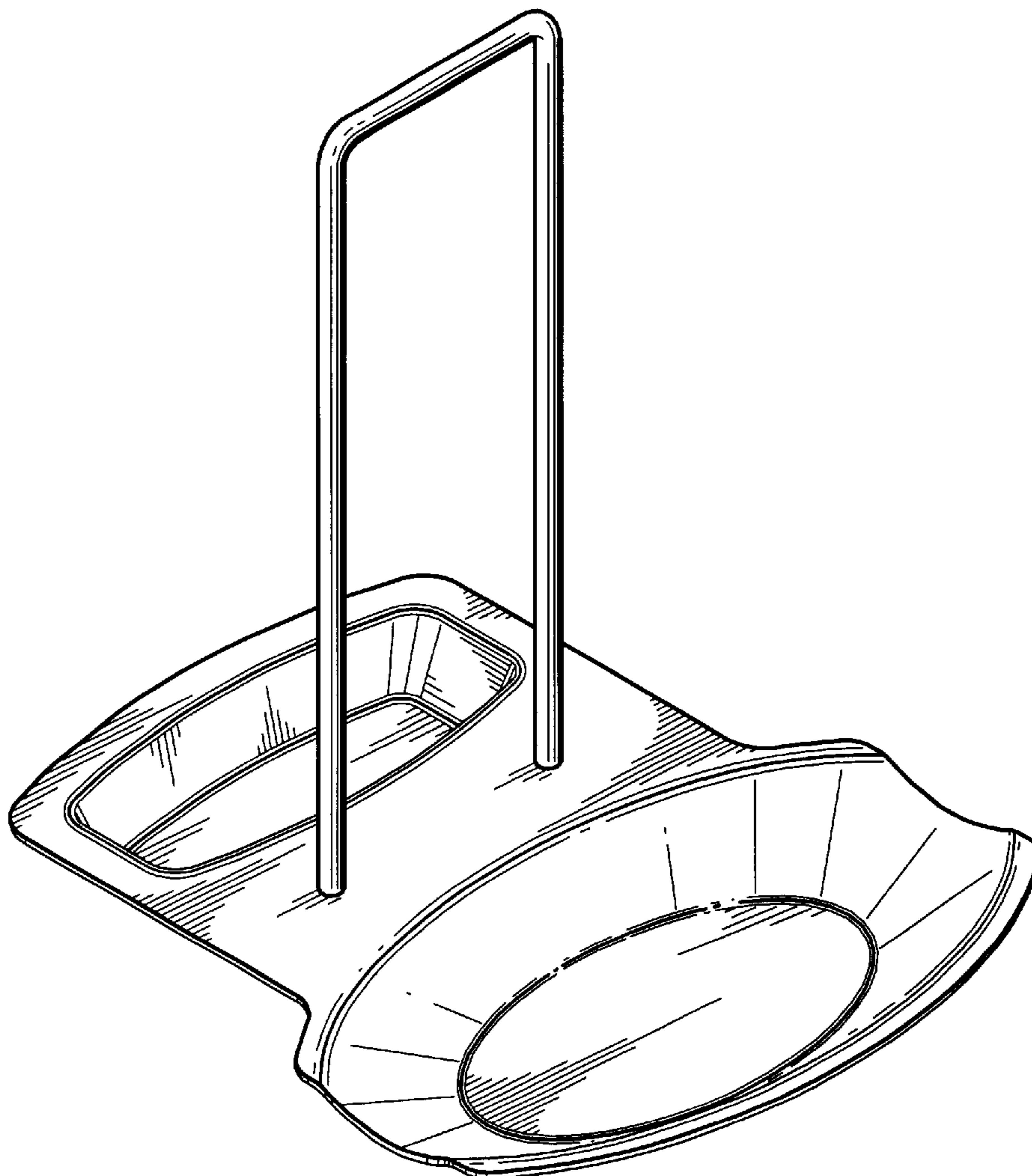
FIG. 1 is an isometric view of the combined spoon and lid rest;
FIG. 2 is a front side view, the front side view being substantially identical to the back side view;
FIG. 3 is a top plan view;
FIG. 4 is a bottom plan view;
FIG. 5 is a right side view; and,
FIG. 6 is a left side view.

(56) **References Cited**

U.S. PATENT DOCUMENTS

D44,485 S * 8/1913 McNair D7/637
D255,311 S * 6/1980 Dunne D7/637

1 Claim, 5 Drawing Sheets



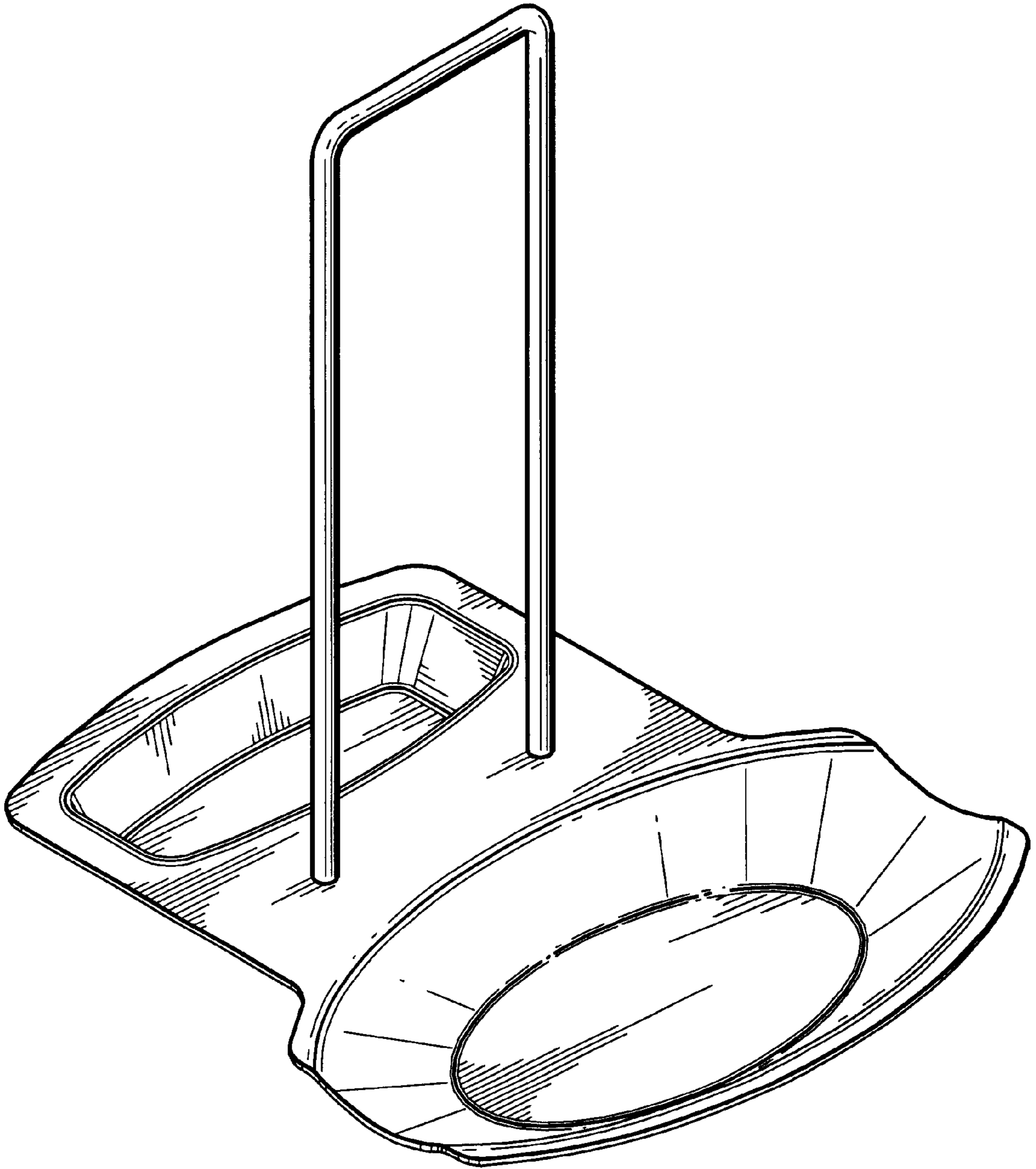


Fig. 1.

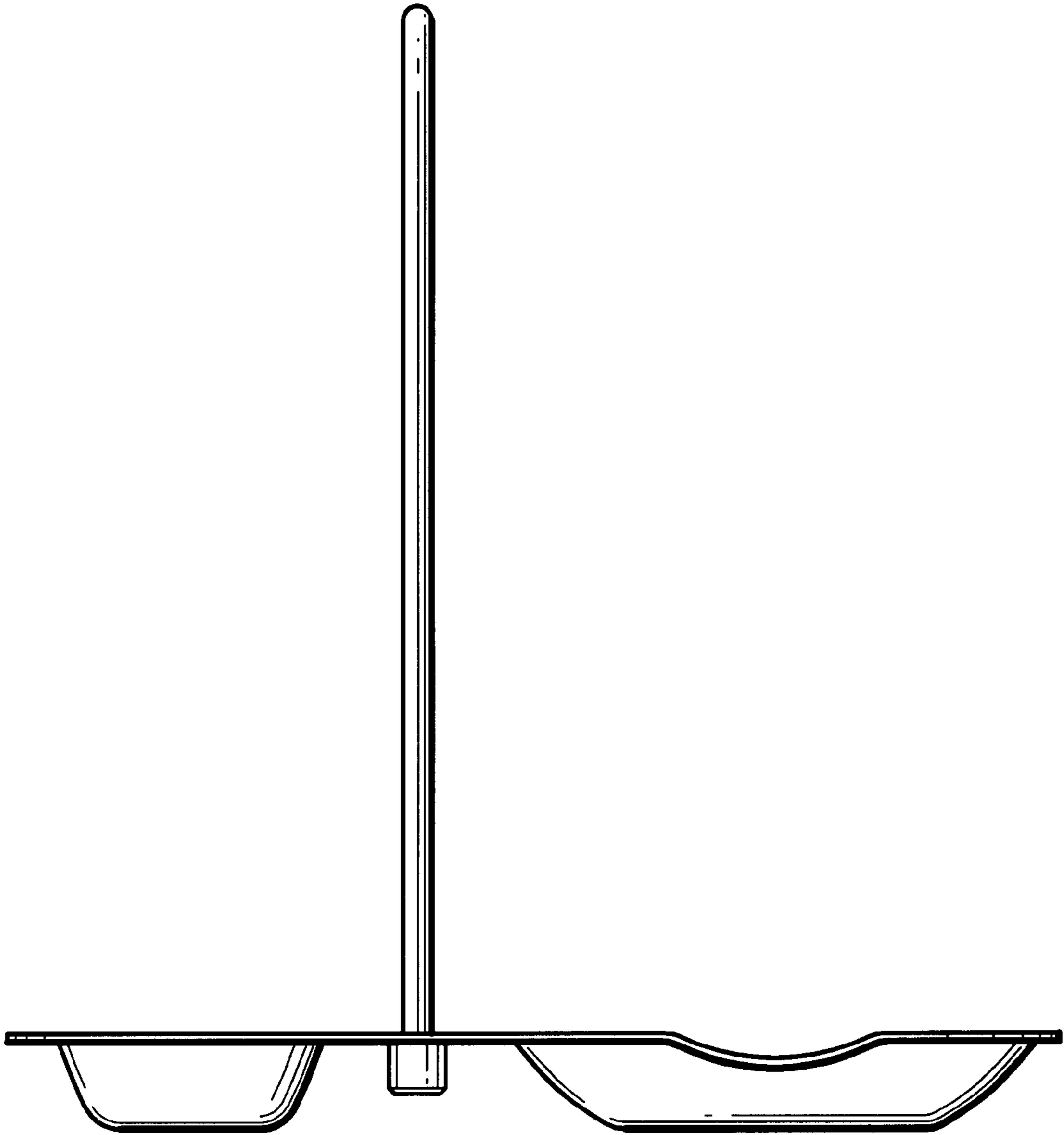


Fig. 2.

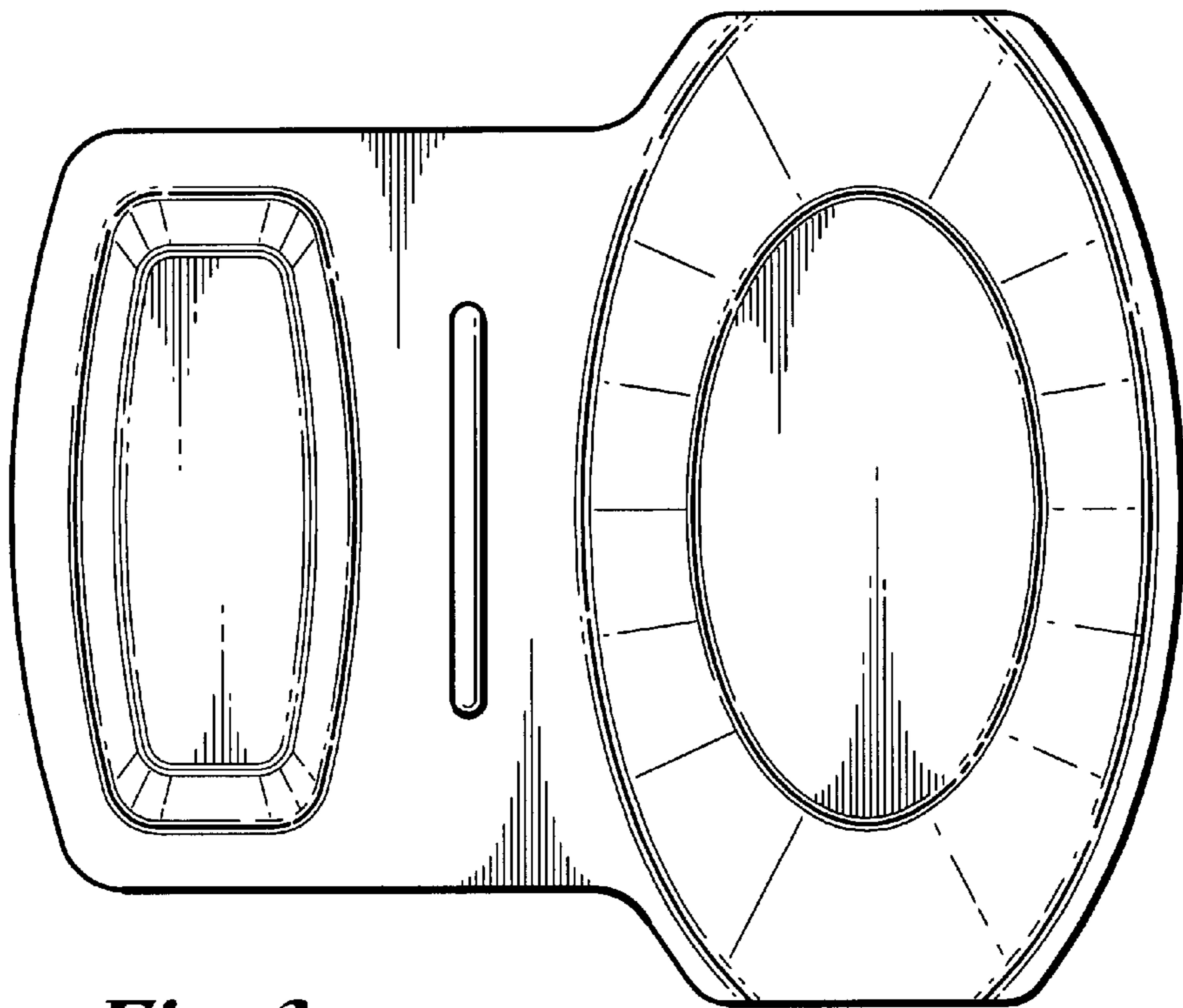


Fig. 3.

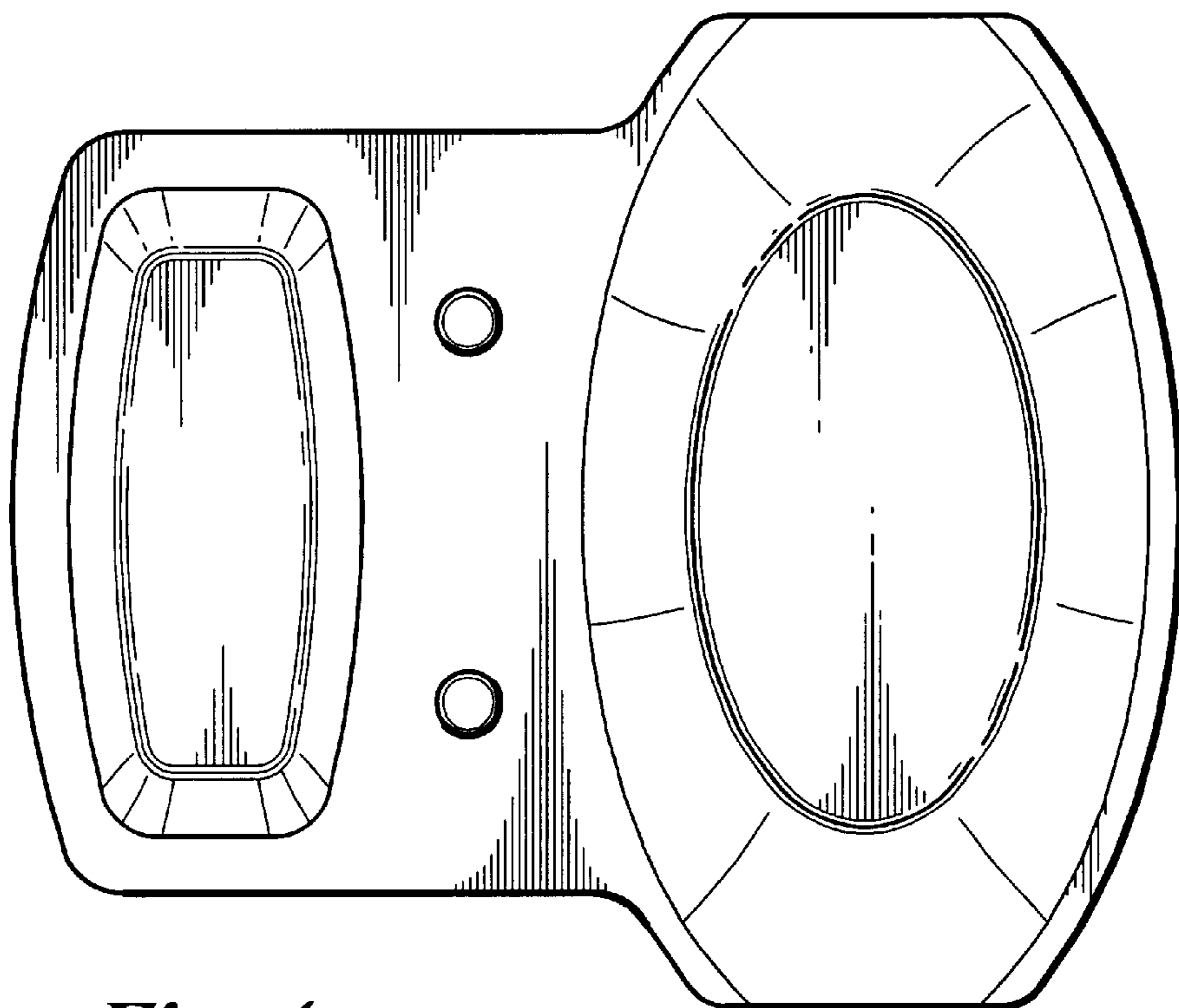


Fig. 4.

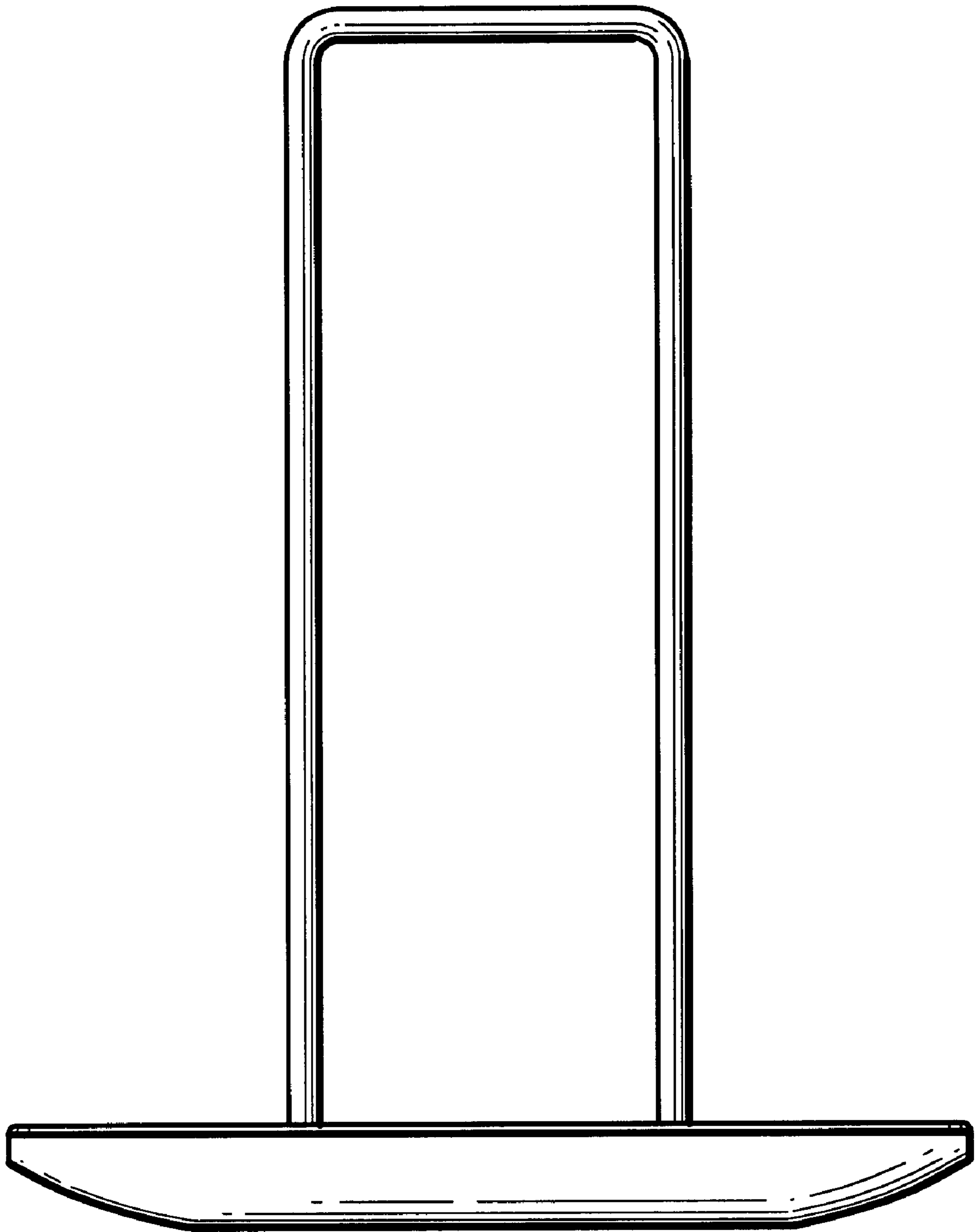


Fig. 5.

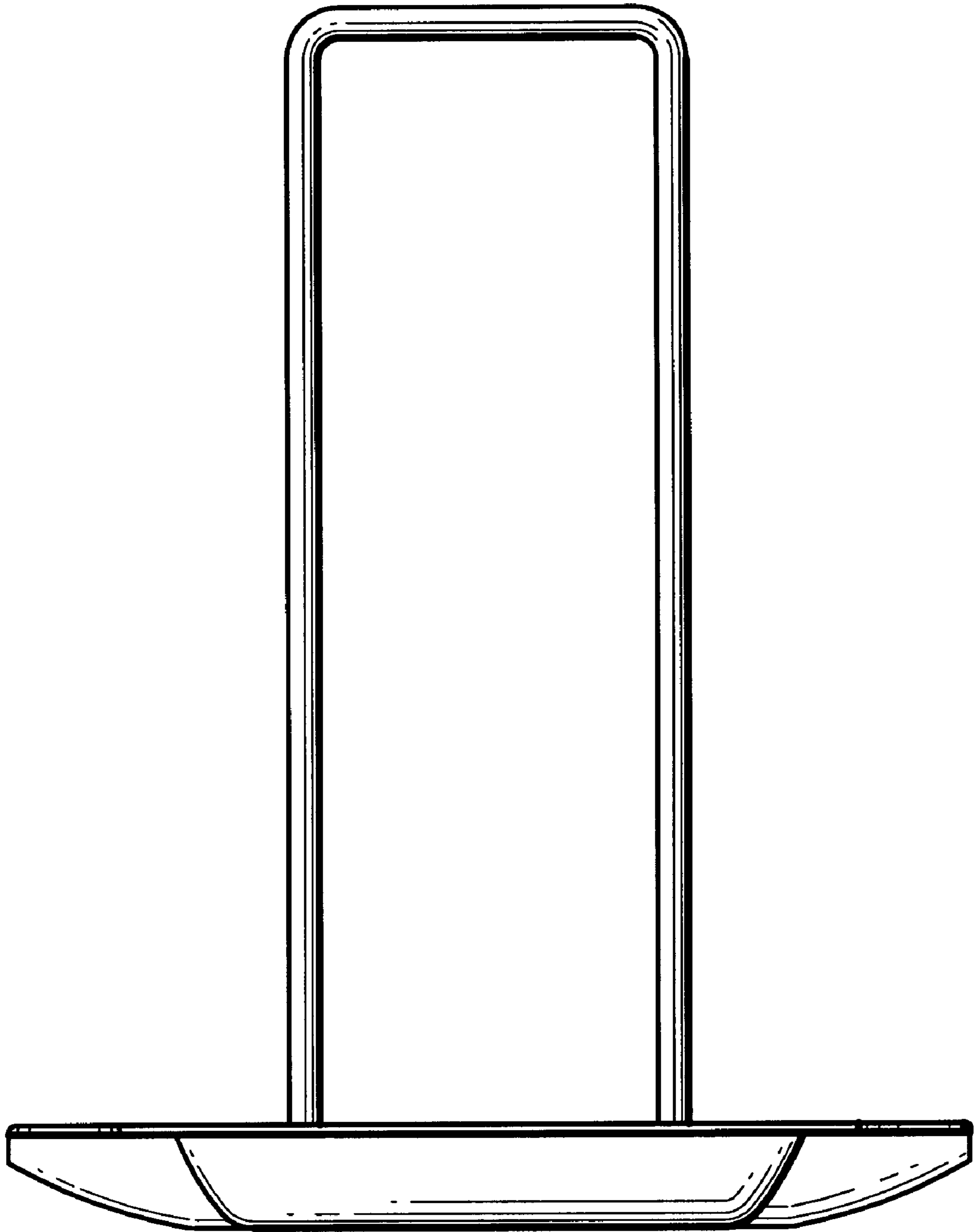


Fig. 6.