



US00D475897S

(12) **United States Design Patent**
Zettle et al.

(10) **Patent No.: US D475,897 S**
(45) **Date of Patent: ** Jun. 17, 2003**

(54) **PLATE WITH COVER**

(75) Inventors: **Jeffrey J. Zettle**, Bay City, MI (US);
Donald E. Hodge, Clare, MI (US)

(73) Assignee: **S.C. Johnson Home Storage, Inc.**,
Racine, WI (US)

(*) Notice: This patent is subject to a terminal disclaimer.

(**) Term: **14 Years**

(21) Appl. No.: **29/153,099**

(22) Filed: **Dec. 21, 2001**

(51) **LOC (7) Cl. 07-07**

(52) **U.S. Cl. D7/629; D7/538**

(58) **Field of Search D7/391, 392.1,**
D7/601, 602, 629, 538-548, 584-587; D9/424,
425, 428, 430, 435, 454; 220/574, 780-799,
805; 229/406

D298,199 S	10/1988	Finsilver et al.	D7/18
D309,554 S	7/1990	Meisner	D7/602
D328,837 S	8/1992	Marsten et al.	D7/585
5,143,219 A	9/1992	Yates, Jr.	206/508
5,158,202 A	10/1992	Kosonen et al.	220/574
D337,485 S	7/1993	Merwin et al.	D7/586
5,230,939 A	7/1993	Baum	428/84
D339,958 S	* 10/1993	Olsen et al.	D7/392.1
D341,518 S	11/1993	Richardson	D7/392.1
D383,939 S	9/1997	Jeppesen et al.	D7/391
D384,551 S	10/1997	Ahern, Jr.	D7/392.1
D390,752 S	* 2/1998	DeCoster	D7/545
5,758,773 A	6/1998	Clements	206/519
5,769,229 A	6/1998	Andres et al.	206/505
5,791,509 A	8/1998	Rush et al.	220/781
5,799,792 A	9/1998	Abrums	206/508
5,894,953 A	4/1999	Ramirez	220/785
D415,385 S	10/1999	Loew et al.	D7/392.1
D415,652 S	10/1999	Loew et al.	D7/392.1
D416,754 S	11/1999	Lalb	D7/392.1
5,984,130 A	11/1999	Hayes	220/574
D417,584 S	12/1999	Lillelund et al.	D7/392.1
D417,817 S	12/1999	Loew et al.	D7/392.1
D419,371 S	1/2000	Haley	D7/392.1

(List continued on next page.)

(56) **References Cited**

U.S. PATENT DOCUMENTS

3,162,882 A	12/1964	Womer	15/258
3,545,642 A	* 12/1970	Swett	220/575
RE28,720 E	2/1976	Sedlak	206/501
3,961,603 A	6/1976	Gaddie, Sr.	119/15
D255,528 S	6/1980	Seager	D7/40
D260,492 S	9/1981	Scott	D9/452
4,289,252 A	9/1981	Helms	220/308
D262,932 S	2/1982	Daenen	D7/40
4,341,324 A	7/1982	Ramirez	220/306
4,407,426 A	10/1983	McLaren et al.	220/306
D275,636 S	9/1984	Picozza	D7/40
4,512,493 A	4/1985	Von Hold	220/306
4,526,290 A	7/1985	Corny	220/415
D281,758 S	12/1985	Trombly	D7/387
D283,664 S	5/1986	Muraj	D7/30
D287,802 S	* 1/1987	Daenen	D7/540
D291,856 S	9/1987	Everhan	D7/30
4,705,172 A	11/1987	Gage	206/519
D293,292 S	12/1987	Finsilver et al.	D7/169
4,747,510 A	5/1988	Mack	220/270

Primary Examiner—Terry A. Wallace

(57) **CLAIM**

The ornamental design of a plate with cover, as shown and described.

DESCRIPTION

FIG. 1 is a front perspective view illustrating the plate with cover, constructed in accordance with the teachings of the present invention.

FIG. 2 is a front elevational view of the plate with cover of FIG. 1.

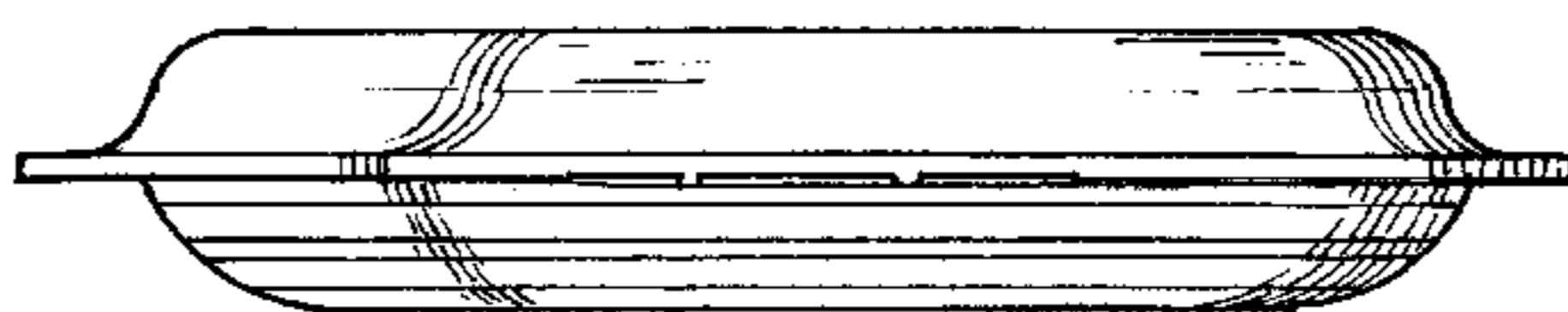
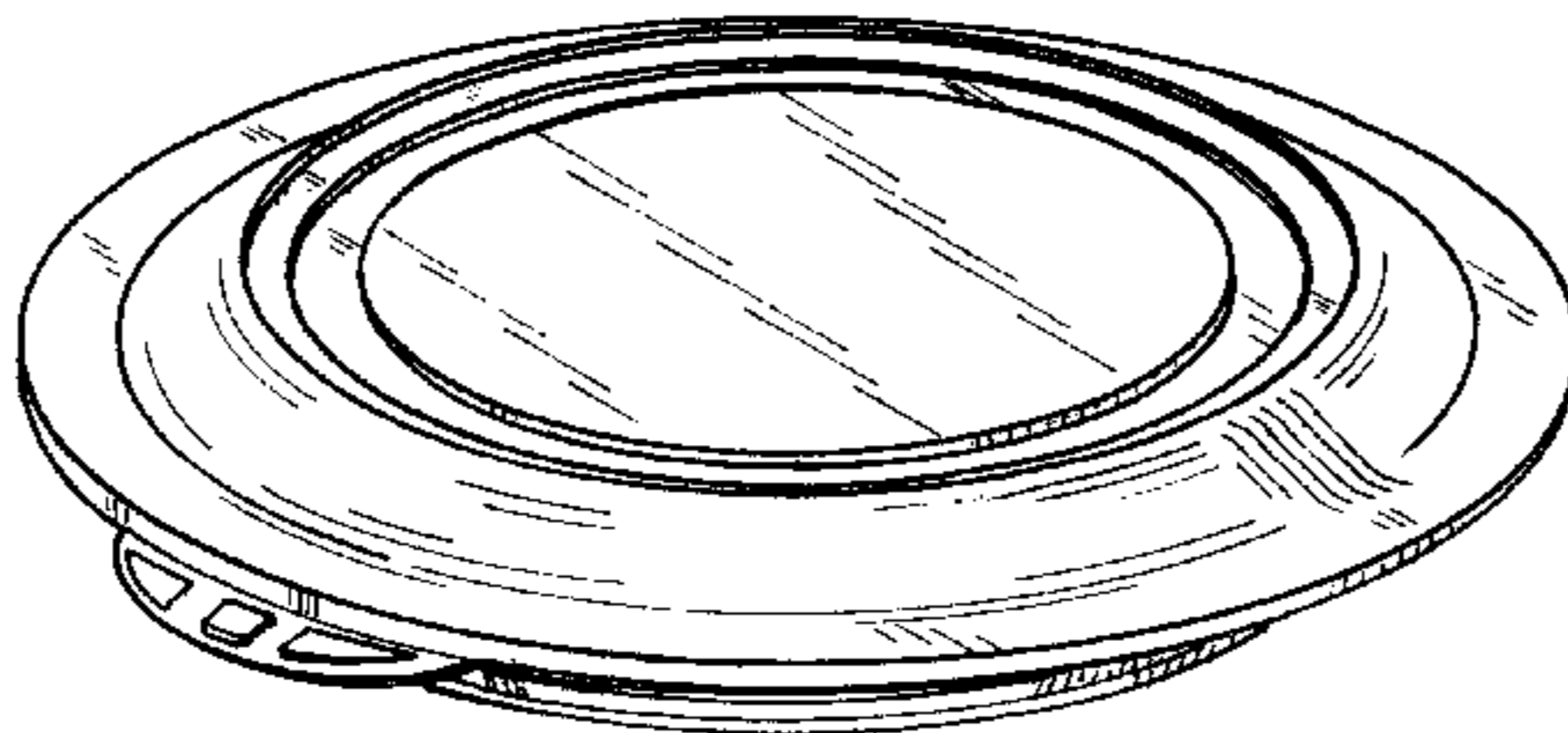
FIG. 3 is a rear elevational view of the plate with cover of FIG. 1.

FIG. 4 is a side elevational view of the plate with cover of FIG. 1.

FIG. 5 is a top plan view of the plate with cover of FIG. 1; and,

FIG. 6 is a bottom plan view of the plate with cover of FIG. 1.

1 Claim, 2 Drawing Sheets



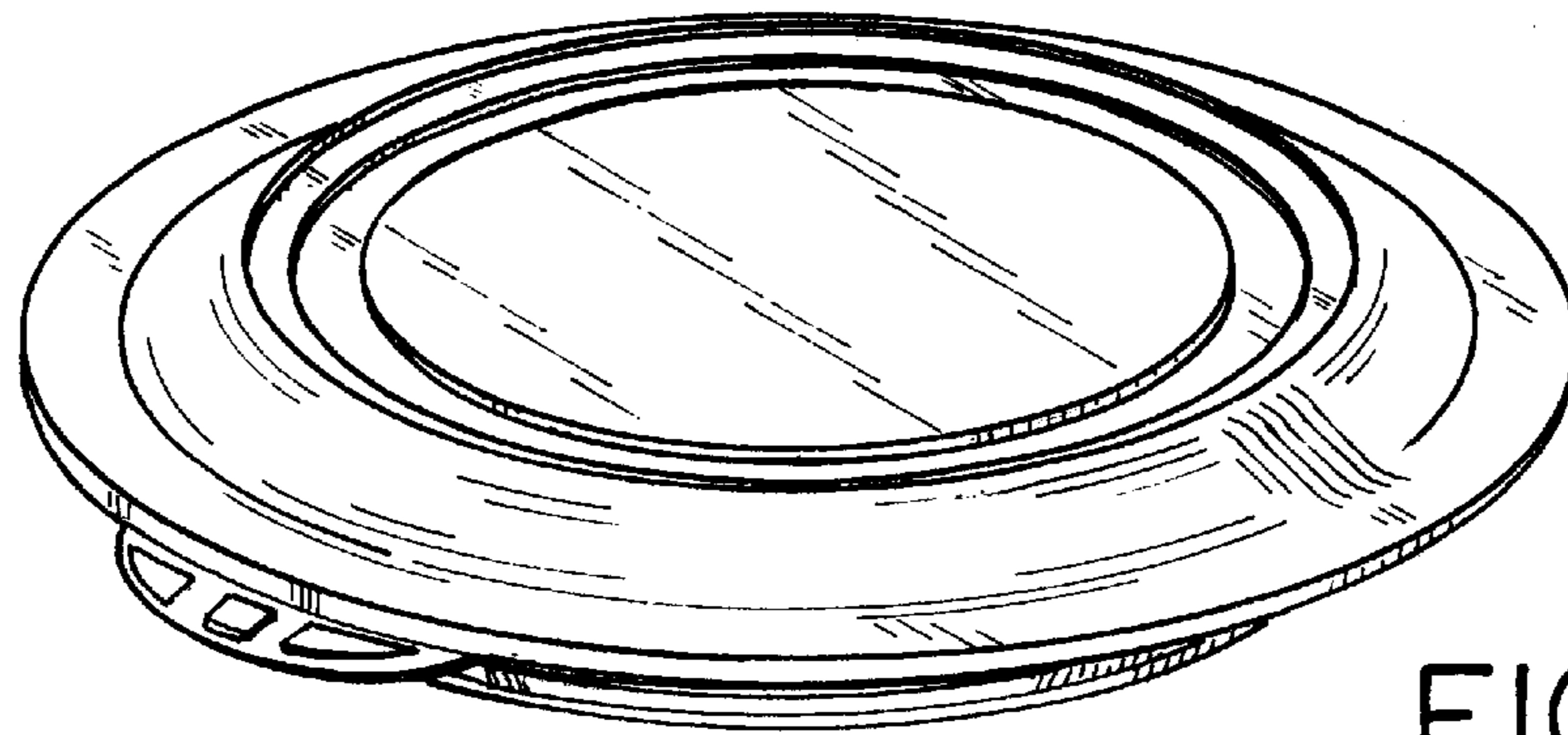


FIG. 1

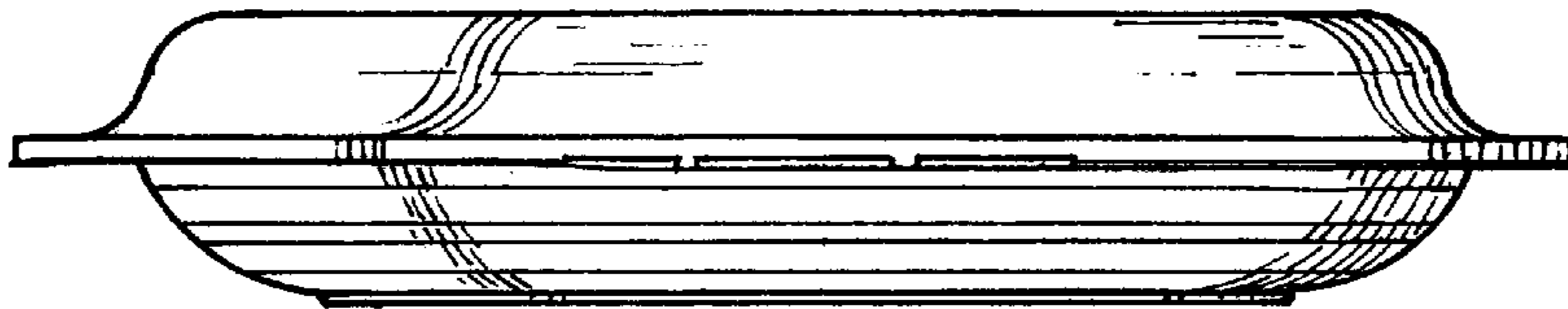


FIG. 2

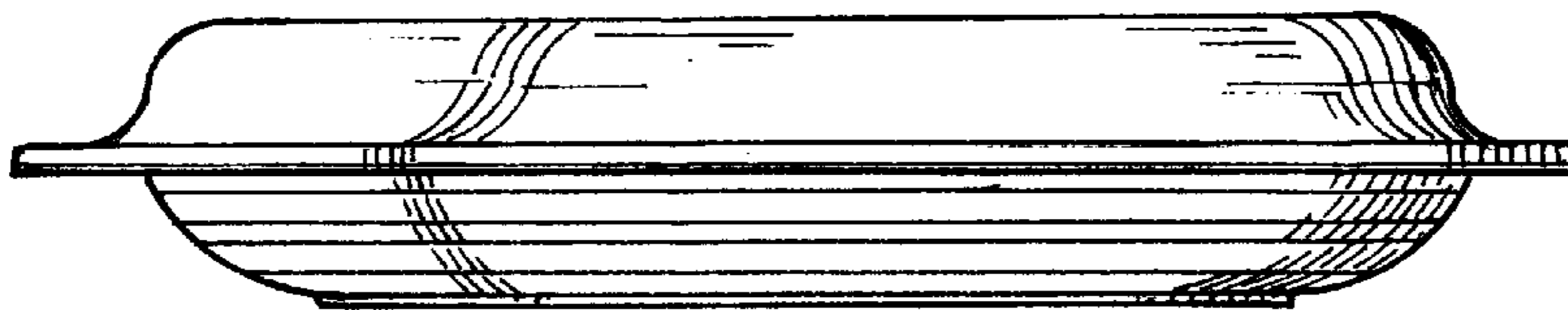


FIG. 3

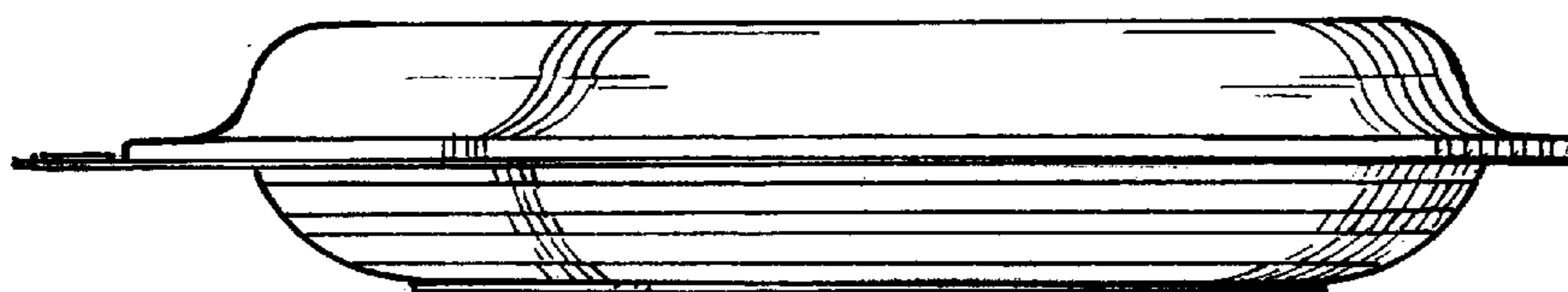


FIG. 4

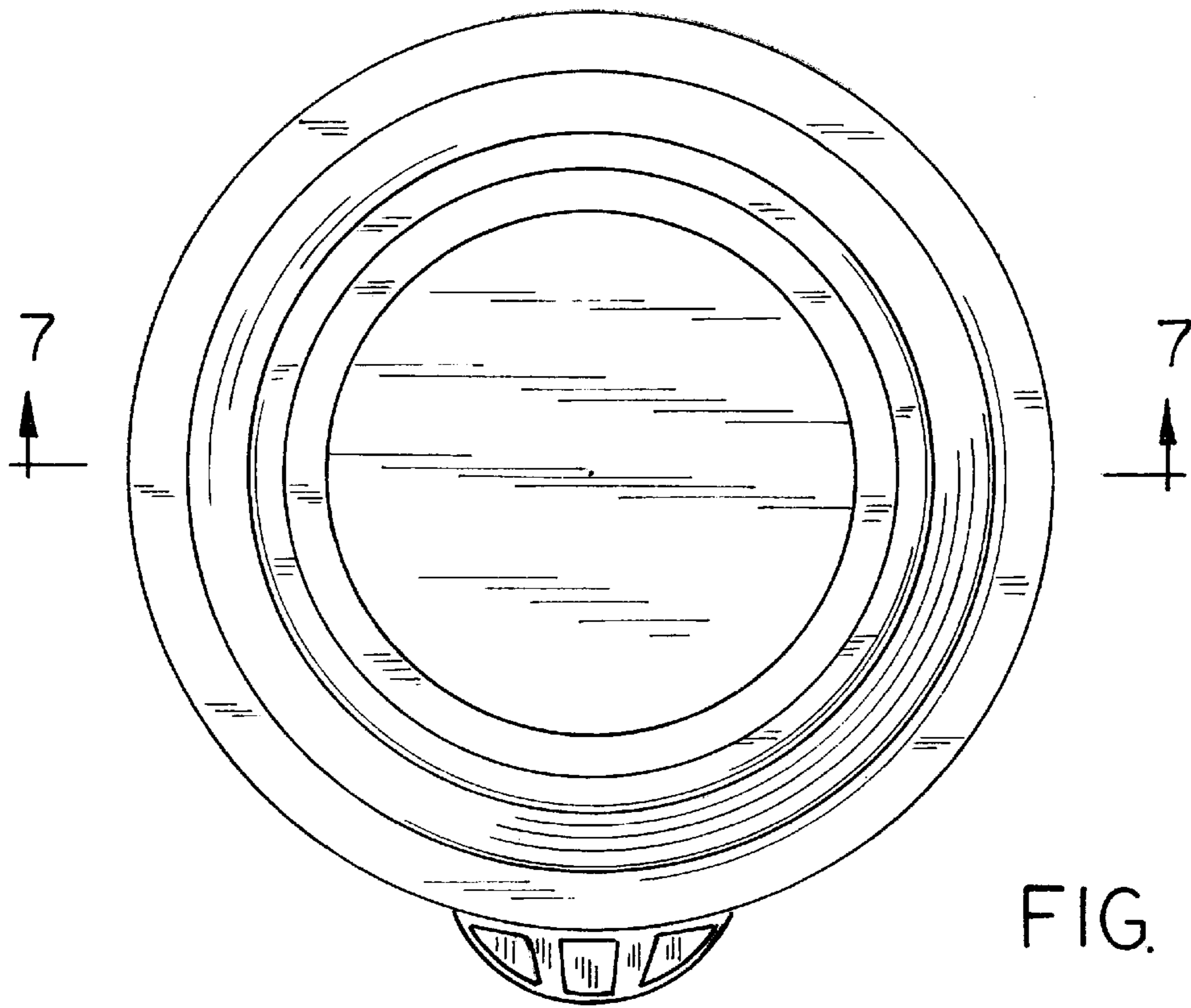


FIG. 5

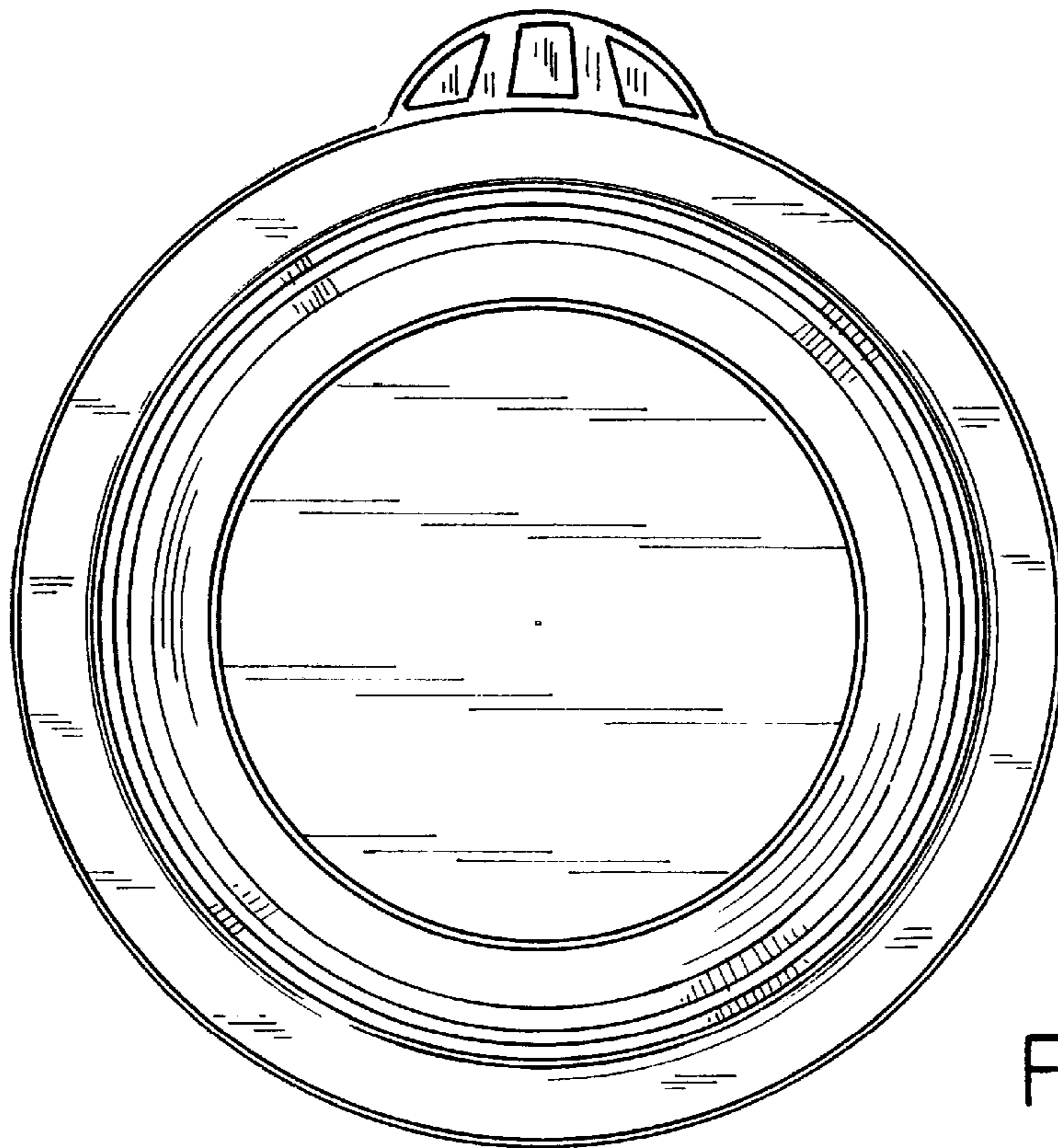


FIG. 6