



US00D475893S

(12) **United States Design Patent**
Hottenroth et al.

(10) **Patent No.:** **US D475,893 S**

(45) **Date of Patent:** **** Jun. 17, 2003**

(54) **TORTILLA WARMER**

(76) Inventors: **Gail E. Hottenroth**, 2912 S. Carolina St., San Pedro, CA (US) 90731; **Craig J. Castro**, 2912 S. Carolina St., San Pedro, CA (US) 90731

(**) Term: **14 Years**

(21) Appl. No.: **29/158,618**

(22) Filed: **Apr. 5, 2002**

(51) **LOC (7) Cl.** **07-01**

(52) **U.S. Cl.** **D7/542; D7/538; D7/540; D7/547**

(58) **Field of Search** D7/538, 504, 542, D7/540, 543, 545, 547, 601, 512, 602, 603, 629, 354; 220/575, 792, 793, 369, 23.83, 574; 219/728, 735

(56) **References Cited**

U.S. PATENT DOCUMENTS

- D228,114 S * 8/1973 La Rosa D7/542
- D276,398 S * 11/1984 Conti et al. D7/540
- 4,512,497 A * 4/1985 Grusin 220/369
- D281,754 S * 12/1985 Trombly D7/540
- D287,802 S * 1/1987 Daenen D7/540
- D299,801 S * 2/1989 Basitodos D7/540

- D331,351 S * 12/1992 Finney et al. D7/540
- D347,359 S * 5/1994 Robbins, III D7/512
- D353,521 S * 12/1994 Booten D7/629
- D385,461 S * 10/1997 Cousins D7/538
- D412,266 S * 7/1999 Kerr D7/542
- D431,420 S * 10/2000 Susta D7/545

OTHER PUBLICATIONS

“Red Silicone Molds by World Cuisine”, <http://www.kitchenemporium.com/cgi-bin/kitchen/prod/06redsilicon.html>, 4 pages.

* cited by examiner

Primary Examiner—M. N. Pandozzi

(74) *Attorney, Agent, or Firm*—Stetina Brunda Garred & Brucker

(57) **CLAIM**

The ornamental design for a tortilla warmer, as shown and described.

DESCRIPTION

FIG. 1 is a top plan view thereof;
FIG. 2 is a front elevational view thereof;
FIG. 3 is a bottom plan view thereof;
FIG. 4 is a side elevational view thereof; and,
FIG. 5 is a cross-sectional view taken at 5—5 in FIG. 1.

1 Claim, 2 Drawing Sheets

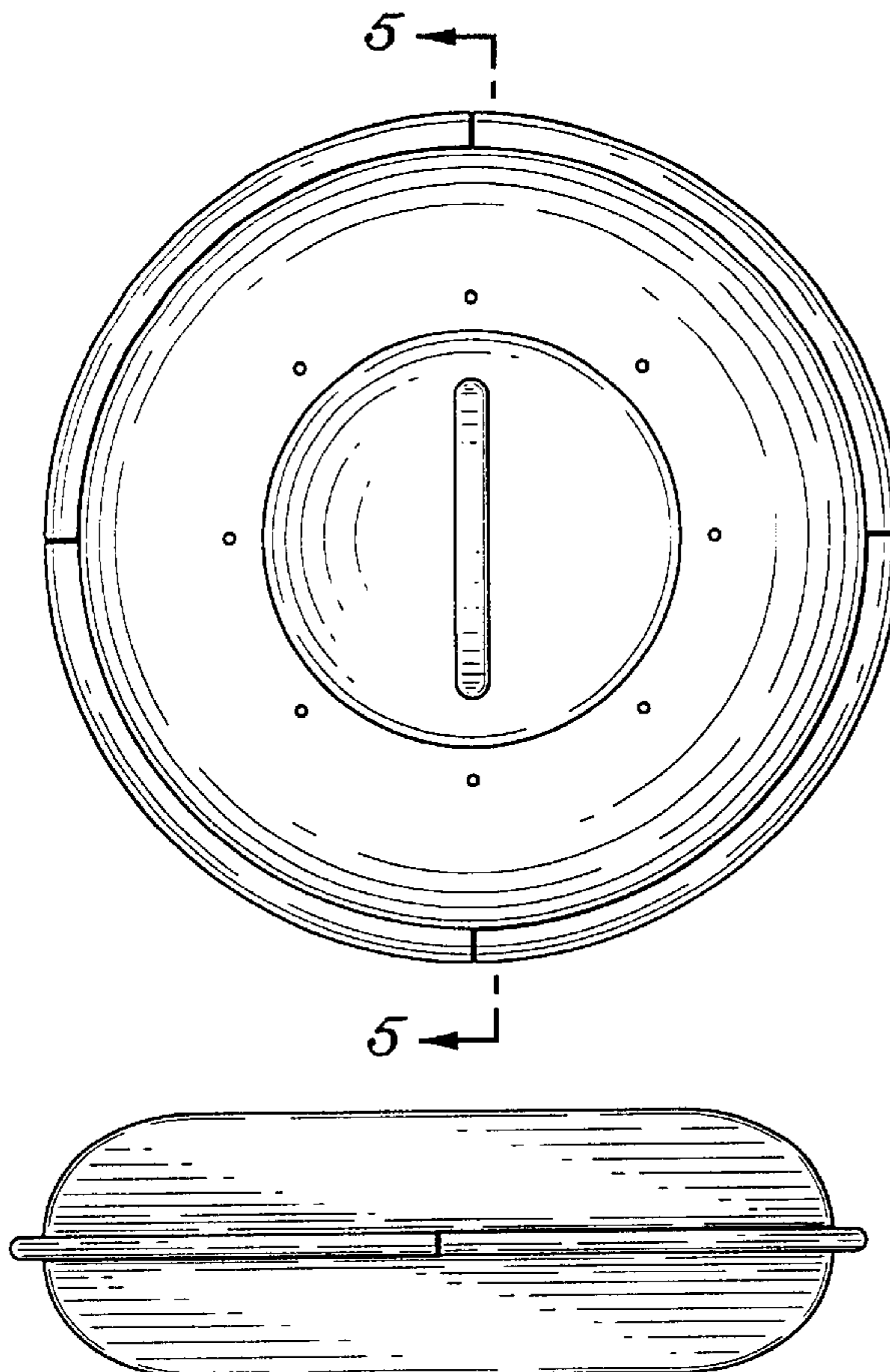


Fig. 1

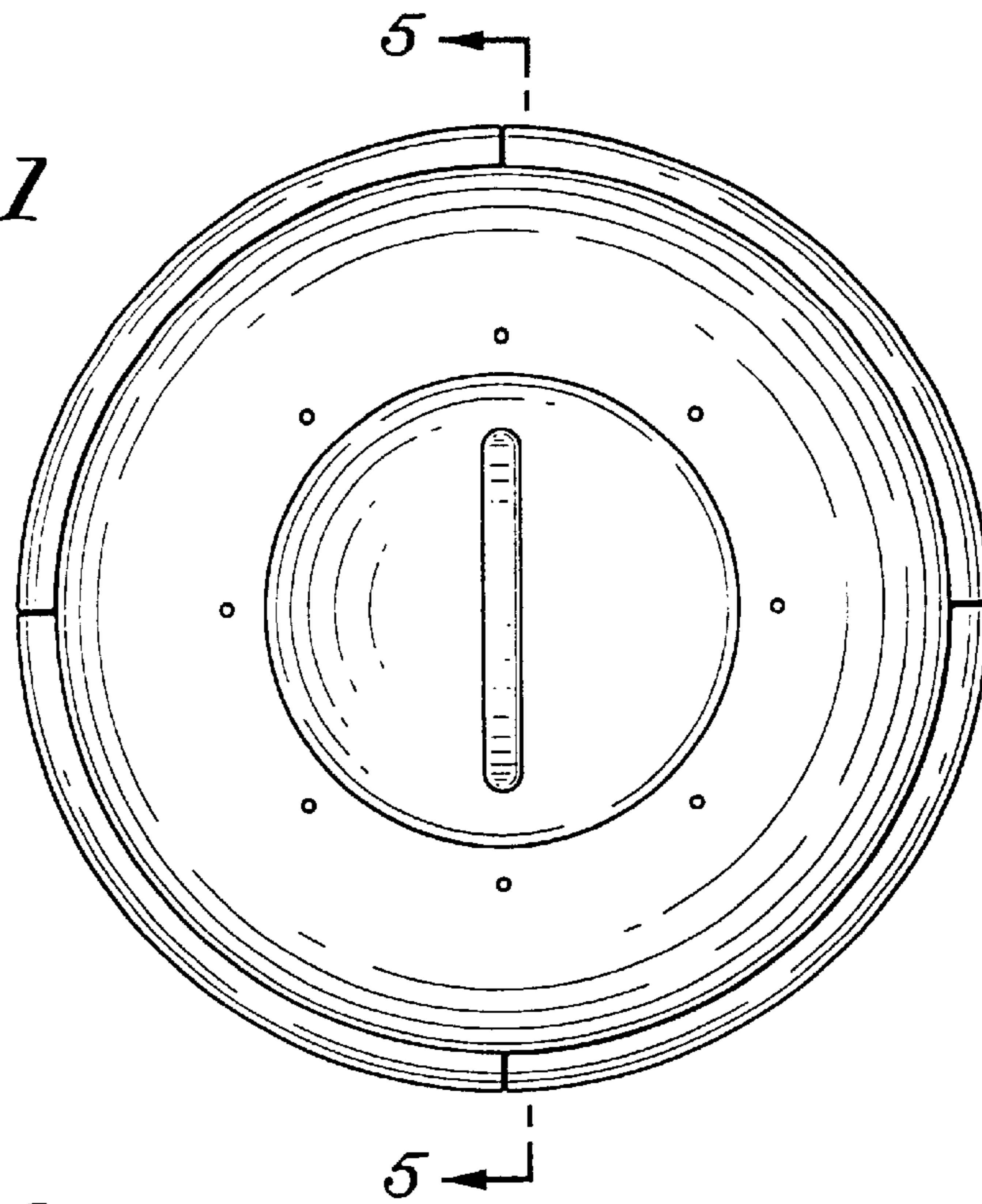


Fig. 2

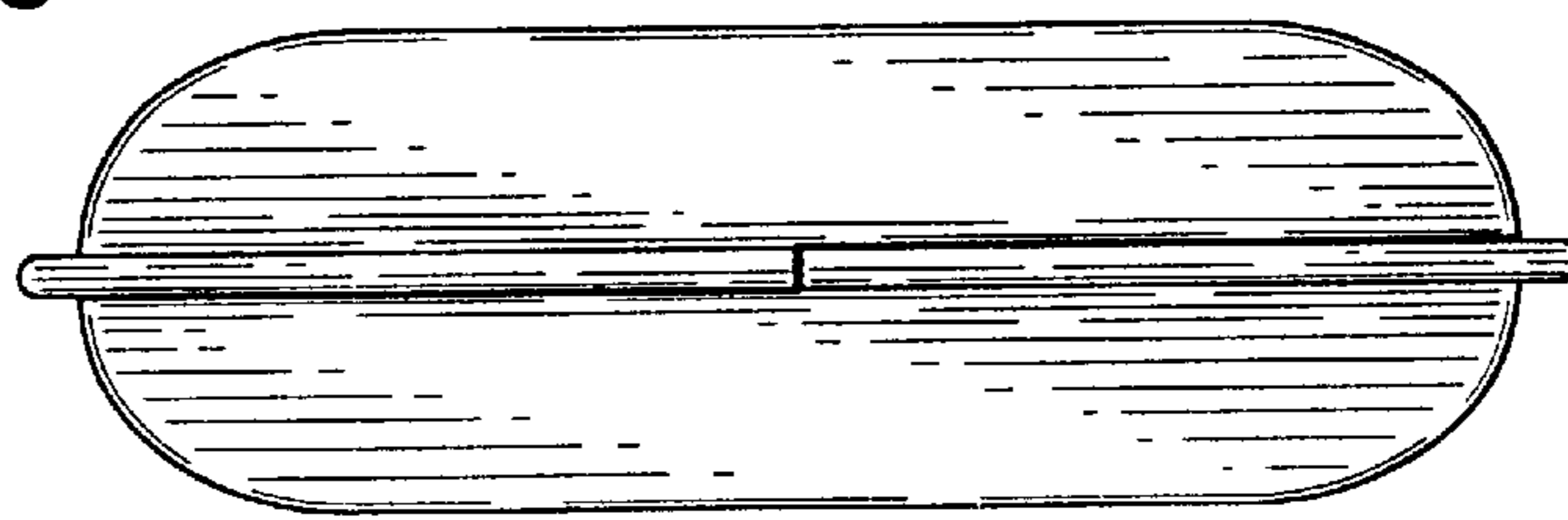
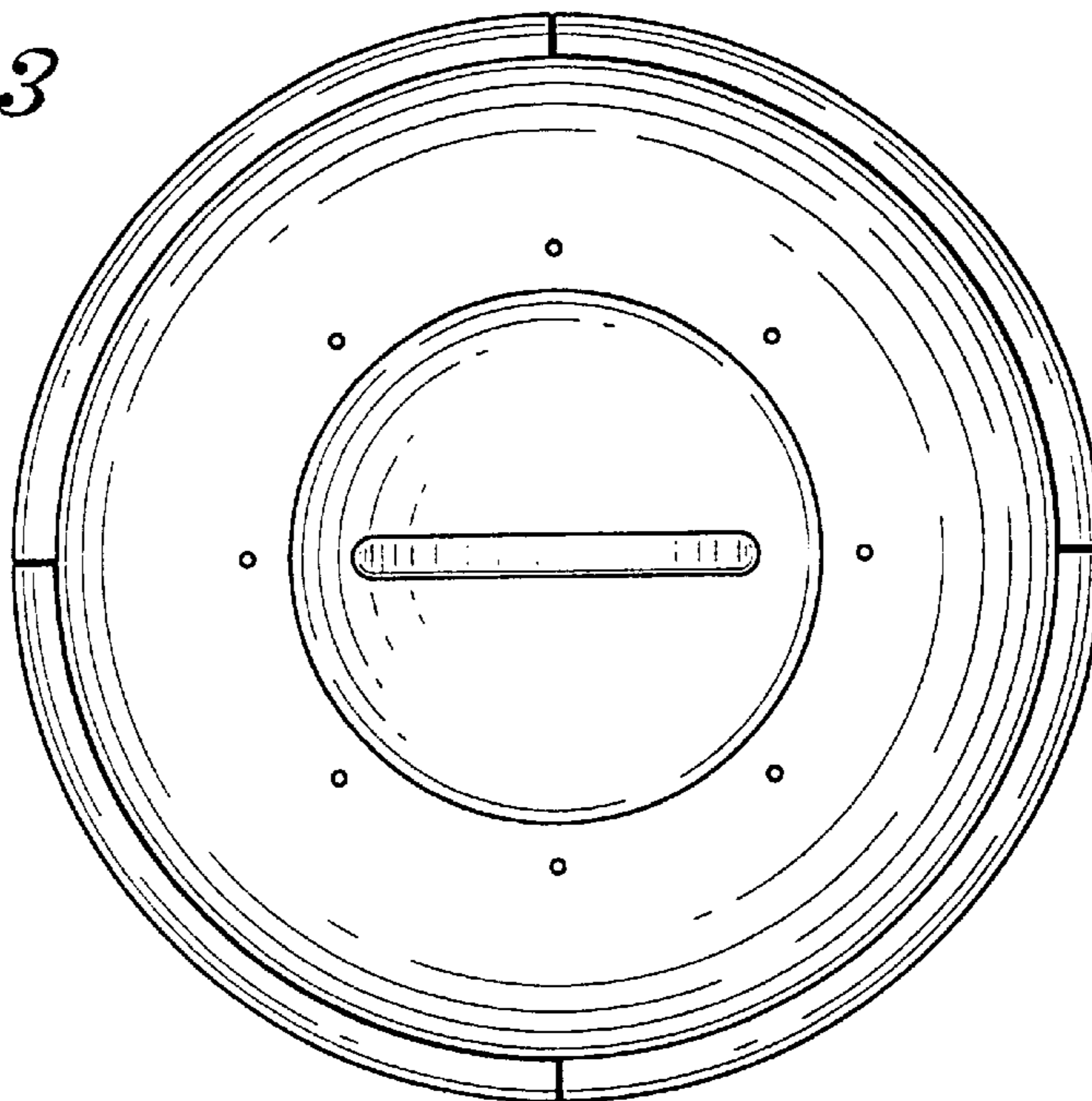


Fig. 3



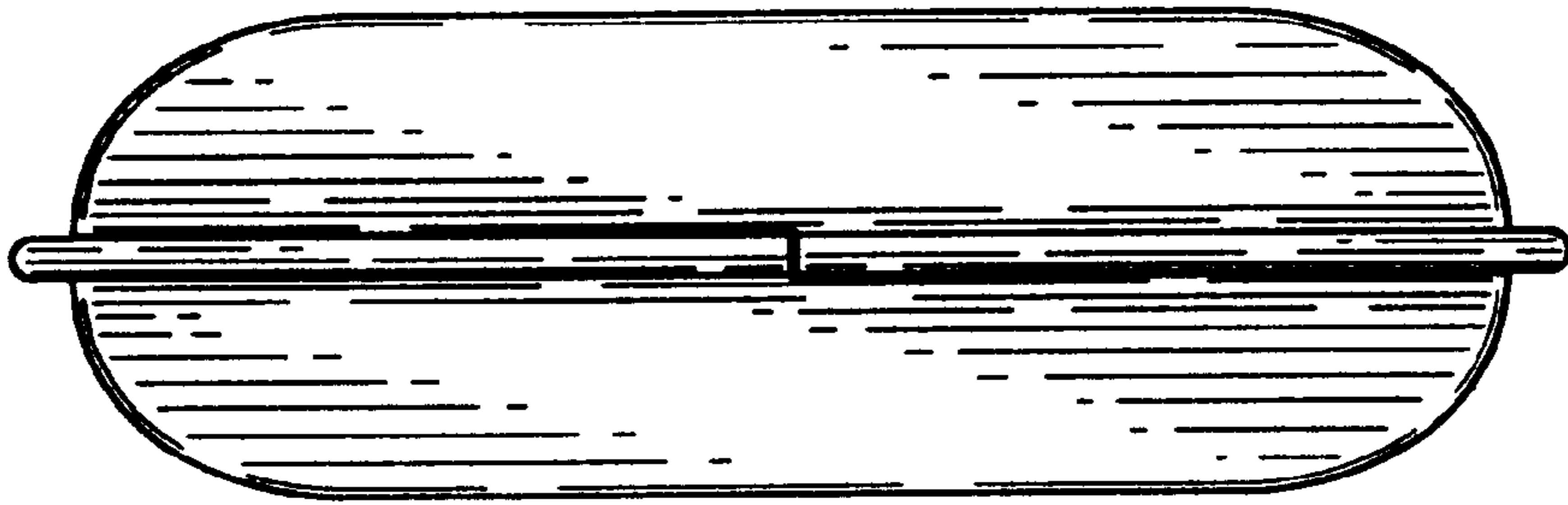


Fig. 4

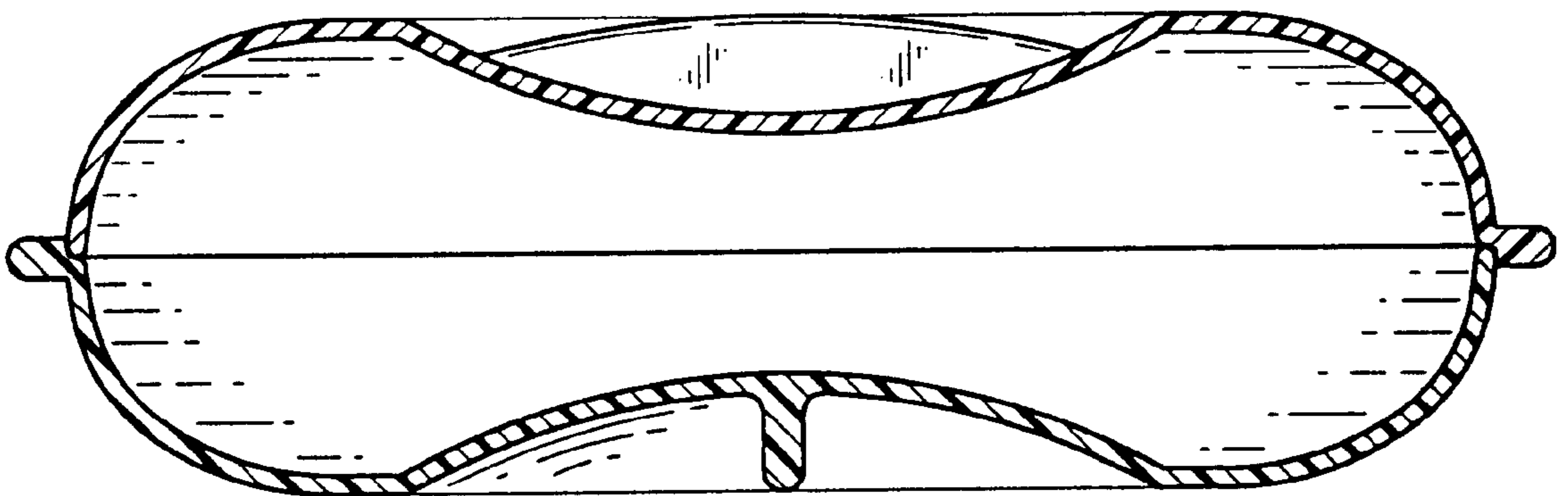


Fig. 5