



US00D475891S

(12) **United States Design Patent**  
**Bin**

(10) **Patent No.:** **US D475,891 S**

(45) **Date of Patent:** **\*\* Jun. 17, 2003**

(54) **MIDDLE BAND FLARED BASE BEVERAGE HOLDER**

(76) **Inventor:** **Jin Xue Bin**, House 337, Bi Lai Yuan, Morning Star Villa, Gangkou Town, Zhongshan (CN)

(\*\*) **Term:** **14 Years**

(21) **Appl. No.:** **29/168,755**

(22) **Filed:** **Oct. 8, 2002**

(51) **LOC (7) Cl.** ..... **07-01**

(52) **U.S. Cl.** ..... **D7/510; D7/511; D7/523**

(58) **Field of Search** ..... D7/509, 510, 511, D7/523, 396.6, 619.1, 507, 608, 536; 215/DIG. 7; 222/568, 129; 220/703, 592.16, 592.17, 714, 717, 4.03

(56) **References Cited**

**U.S. PATENT DOCUMENTS**

4,852,757 A	*	8/1989	Gold	.....	220/403
D362,156 S	*	9/1995	Goto et al.	.....	D7/511
D377,293 S	*	1/1997	Husted	.....	D7/510
D387,619 S	*	12/1997	Gross et al.	.....	D7/510
D408,689 S	*	4/1999	Kato	.....	D7/608
D416,757 S	*	11/1999	Ginuntoli	.....	D7/523
D431,158 S	*	9/2000	Schwab	.....	D7/510
D433,876 S	*	11/2000	Freed	.....	D7/532

D435,195 S	*	12/2000	Joergensen	.....	D7/536
D436,296 S	*	1/2001	Freed	.....	D7/523
D437,185 S	*	2/2001	Freed	.....	D7/510
D438,757 S	*	3/2001	Joergensen	.....	D7/510
D442,029 S	*	5/2001	Otake	.....	D7/510
D457,782 S	*	5/2002	Snell	.....	D7/396.6
D462,576 S	*	9/2002	Janky	.....	D7/510
D464,849 S	*	10/2002	Norris et al.	.....	D7/523
D469,308 S	*	1/2003	Janky	.....	D7/510

\* cited by examiner

*Primary Examiner*—M. N. Pandozzi

(57) **CLAIM**

The ornamental design for “middle band flared base beverage holder”, is substantially as shown and described.

**DESCRIPTION**

FIG. 1 is a view from the upper and left perspective of “middle band flared base beverage holder” showing my new design;

FIG. 2 is a top view thereof.

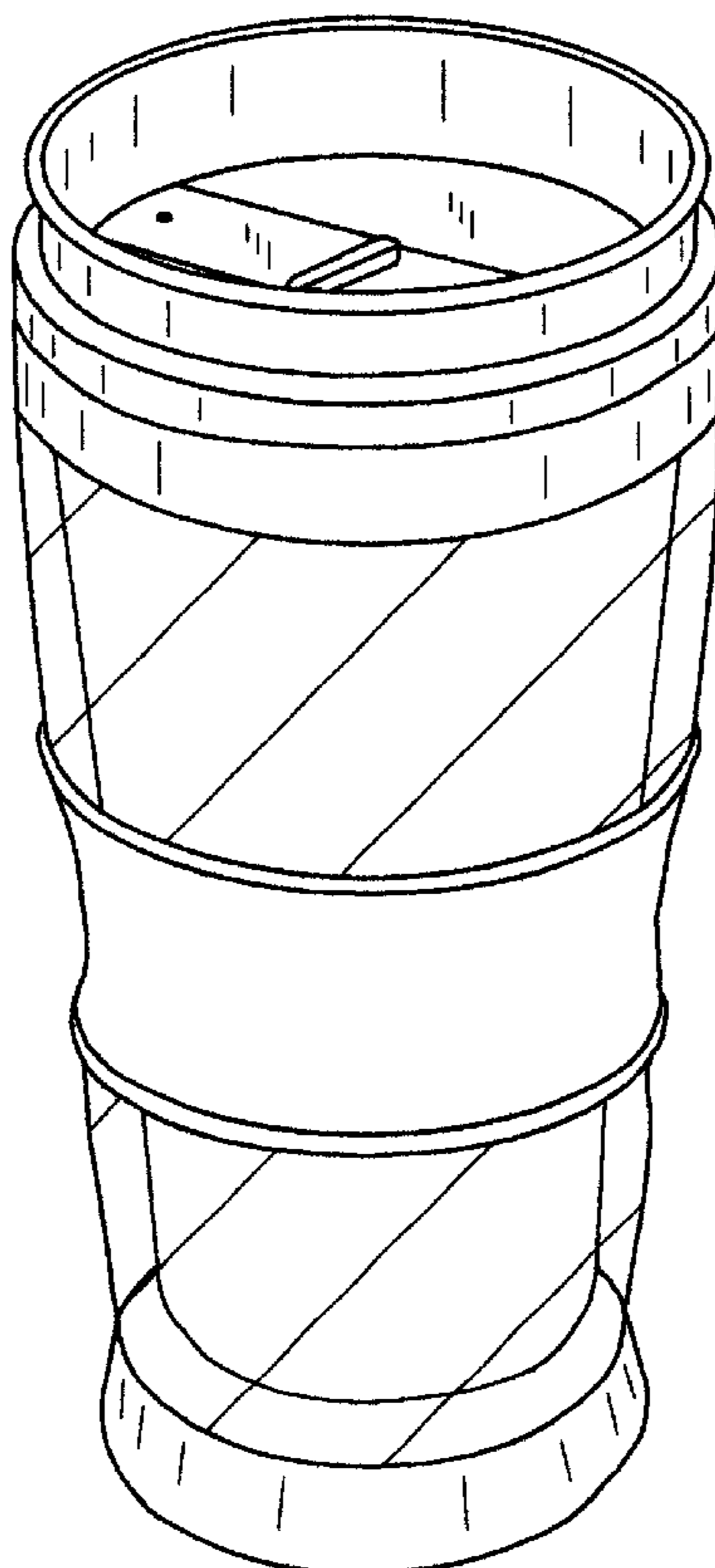
FIG. 3 is a top view thereof in alternate position;

FIG. 4 is a bottom plan view;

FIG. 5 is a front elevational view, the rear elevational view being a mirror image thereof; and,

FIG. 6 is a left side elevational view, the right side elevational view being a mirror image thereof.

**1 Claim, 2 Drawing Sheets**



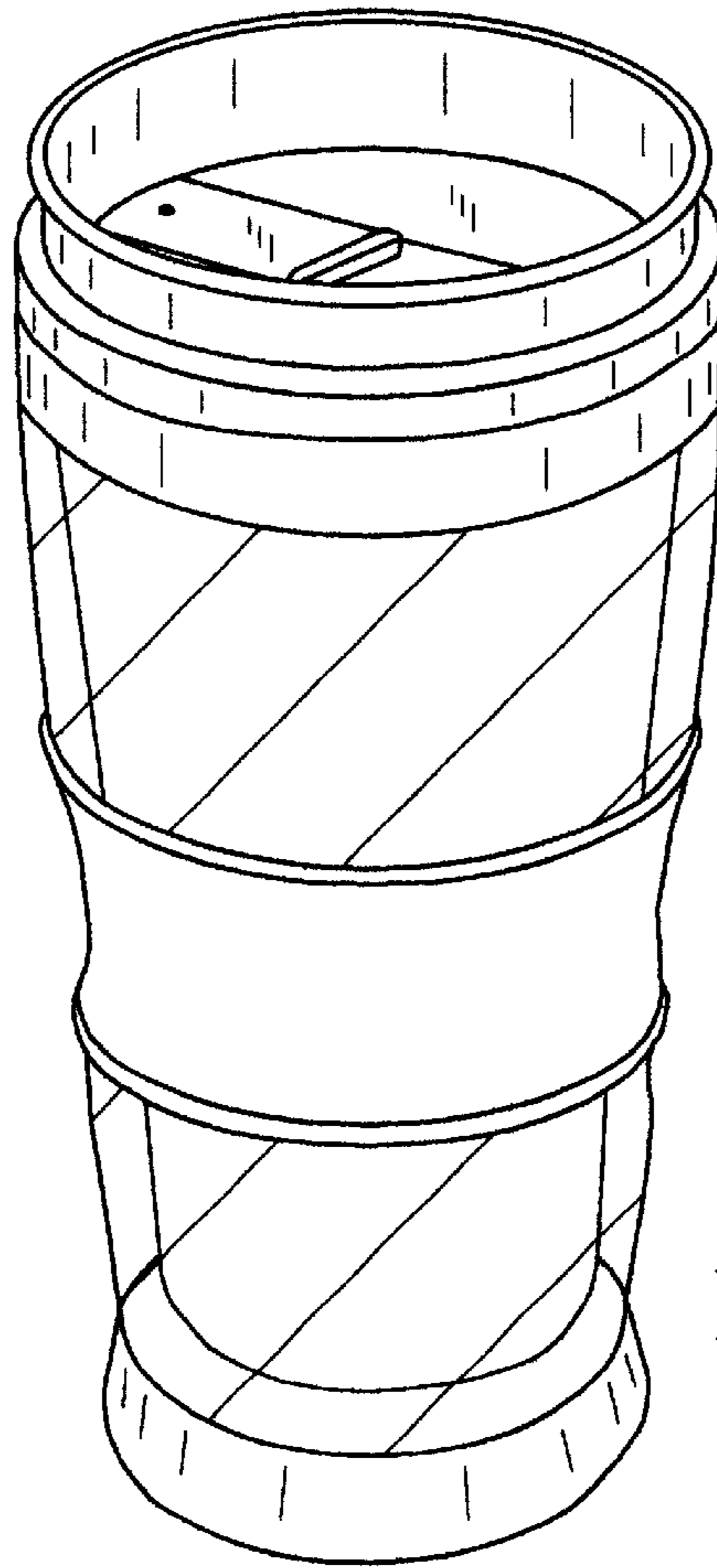


Fig. 1

Fig. 2

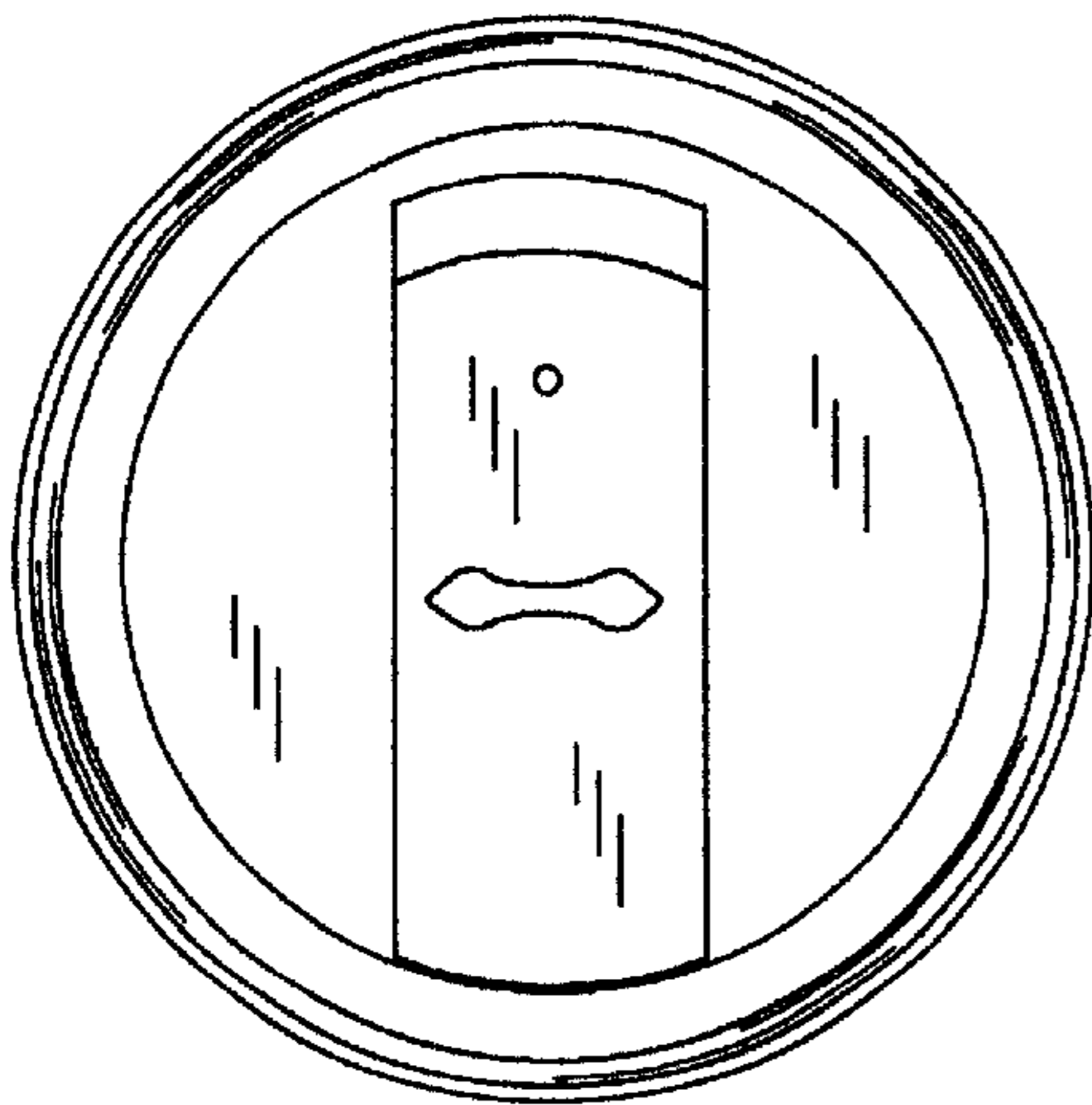


Fig. 3

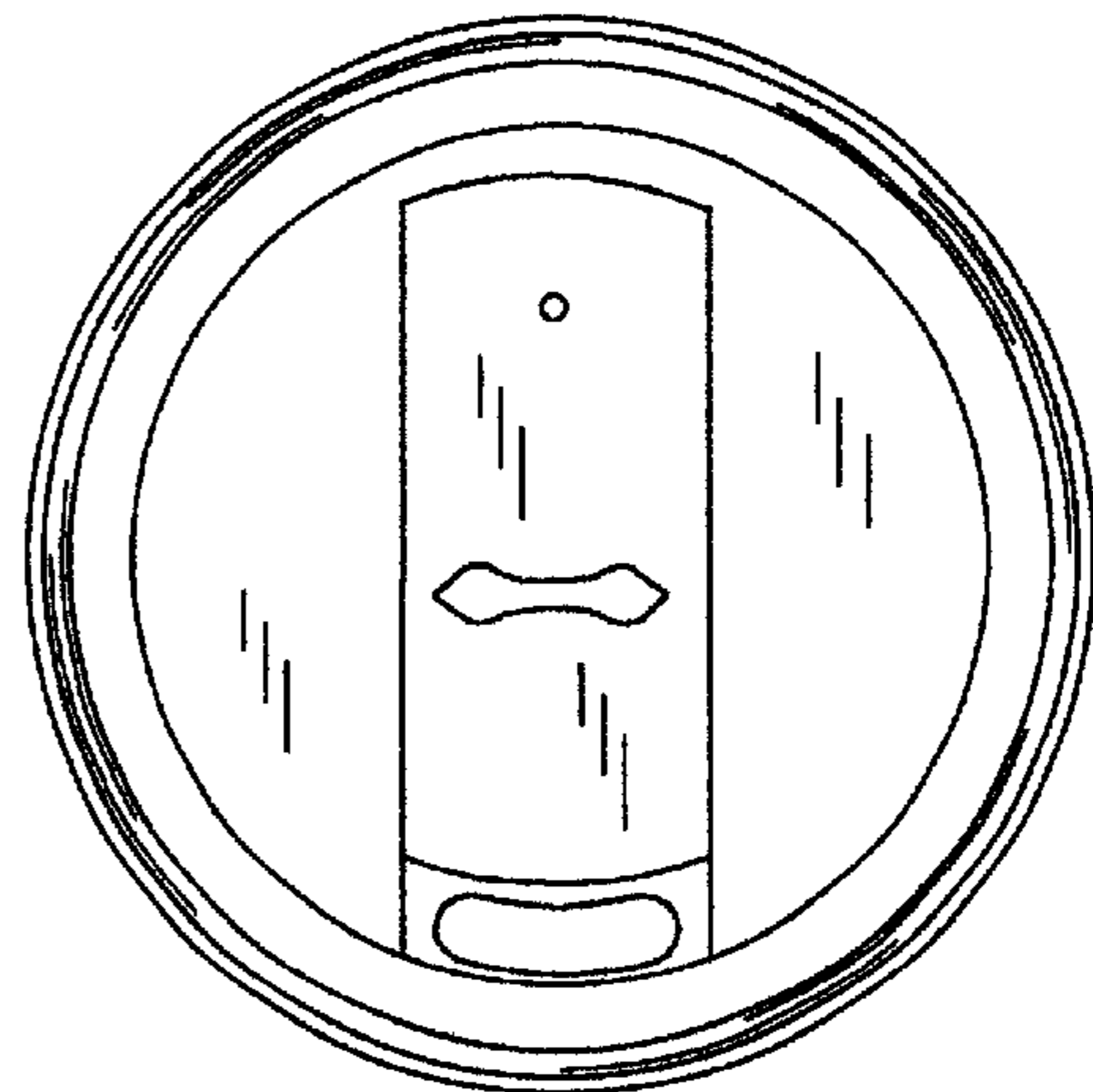


Fig. 4

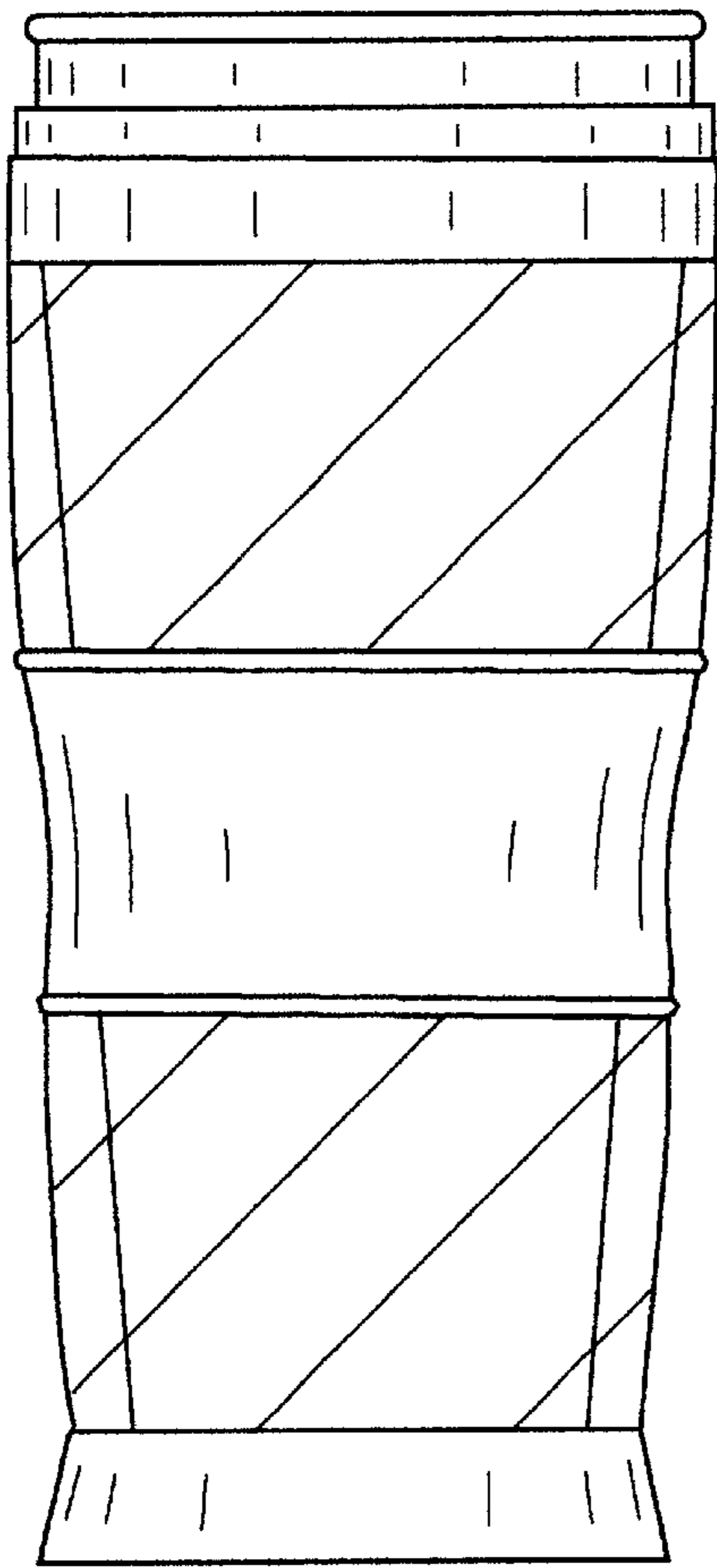
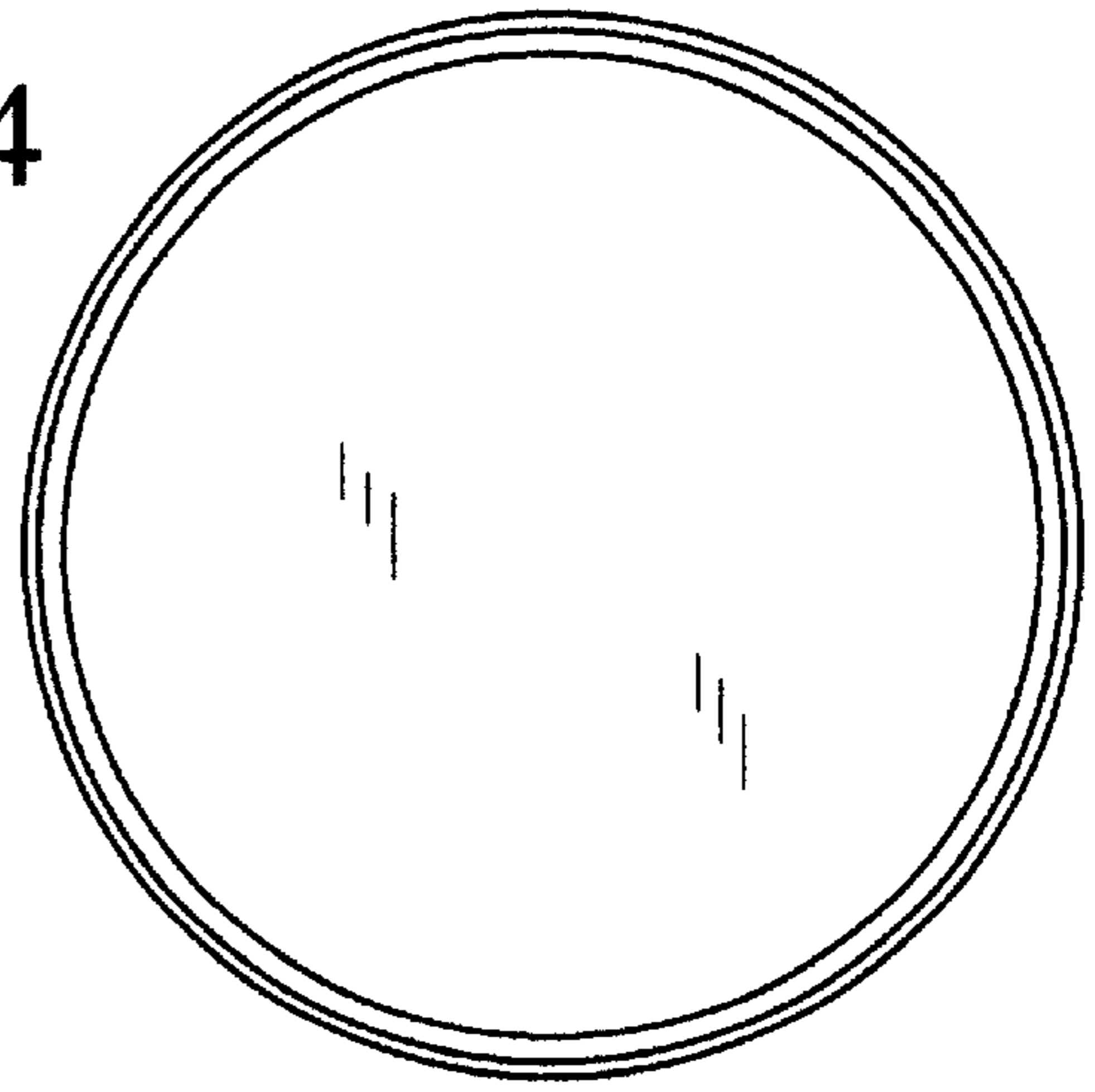


Fig. 5

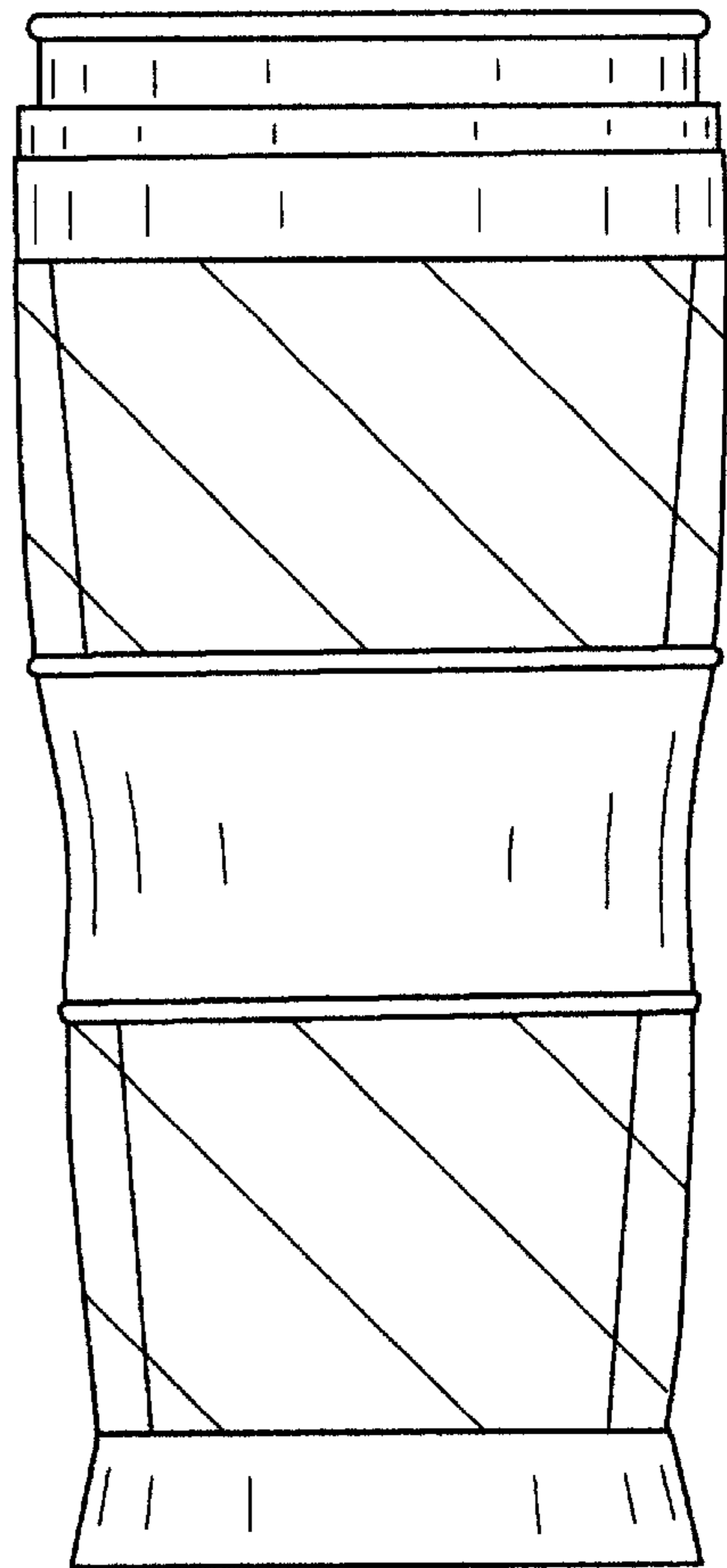


Fig. 6