



US00D475890S

(12) **United States Design Patent**
Mazonkey

(10) **Patent No.:** **US D475,890 S**
(45) **Date of Patent:** **** Jun. 17, 2003**

(54) **CHILD CUP AND REMOTE LOCATING COMBINATION**

(76) **Inventor:** **Richard P. Mazonkey**, R.R. #2 Box
14A, Wapwallopen, PA (US) 18660

(**) **Term:** **14 Years**

(21) **Appl. No.:** **29/172,403**

(22) **Filed:** **Dec. 12, 2002**

(51) **LOC (7) Cl.** **07-01**

(52) **U.S. Cl.** **D7/507; D7/510; D7/511;**
D7/532; D13/168

(58) **Field of Search** **D7/532, 509, 510,**
D7/511, 514, 900, 523, 533, 507, 392.1,
396.2; 220/705, 708, 713, 714, 717, 703,
715, 710.5, 735; 222/129; D13/168; 215/388,
902, 387; 206/217; D23/209; 446/484,
77

(56) **References Cited**

U.S. PATENT DOCUMENTS

D98,420 S	*	2/1936	Deskey	D7/523
D237,853 S	*	12/1975	Katz	D7/523
D243,832 S	*	3/1977	Shveda	D7/507
D321,626 S	*	11/1991	Kouts	D7/510
D353,972 S	*	1/1995	Robling et al.	D7/510
5,518,143 A	*	5/1996	Iodice	220/708
5,520,278 A	*	5/1996	Hughes	206/217
5,620,112 A	*	4/1997	Brown	220/703
D408,220 S	*	4/1999	Chomik	D7/510
D412,085 S	*	7/1999	Roush et al.	D7/396.2
D414,655 S	*	10/1999	Schwarz	D7/514
D417,590 S	*	12/1999	Kato	D7/510
D417,591 S	*	12/1999	Roehrig	D7/510

D431,159 S	*	9/2000	Otake	D7/510
D437,185 S	*	2/2001	Freed	D7/510
D442,029 S	*	5/2001	Otake	D7/510
D442,436 S	*	5/2001	Kleckauskas et al.	D7/511
D456,214 S	*	4/2002	Wyche	D7/523
D459,314 S	*	6/2002	Flick	D13/168
6,398,019 B1	*	6/2002	Cheng	206/217
D460,950 S	*	7/2002	Miller et al.	D13/168
D461,368 S	*	8/2002	Durand	D7/523
D461,457 S	*	8/2002	Lin	D13/168
D461,458 S	*	8/2002	Lin	D13/168
D464,849 S	*	10/2002	Norris et al.	D7/523
D468,274 S	*	1/2003	Novak	D13/168
6,505,734 B2	*	1/2003	Su	206/217
6,527,137	*	3/2003	Kleckauskas et al.	220/705

* cited by examiner

Primary Examiner—M. N. Pandozzi

(57) **CLAIM**

The ornamental design for a child cup and remote locating combination, as shown and described.

DESCRIPTION

FIG. 1 is a front elevation view of a child cup and remote locating combination showing my new design.
FIG. 2 is a right side elevation view of the child cup and remote locating combination.
FIG. 3 is a left side elevation view of the child cup and remote locating combination.
FIG. 4 is a top plan view of the child cup and remote locating combination; and,
FIG. 5 is a bottom plan view of the child cup and remote locating combination.

1 Claim, 5 Drawing Sheets



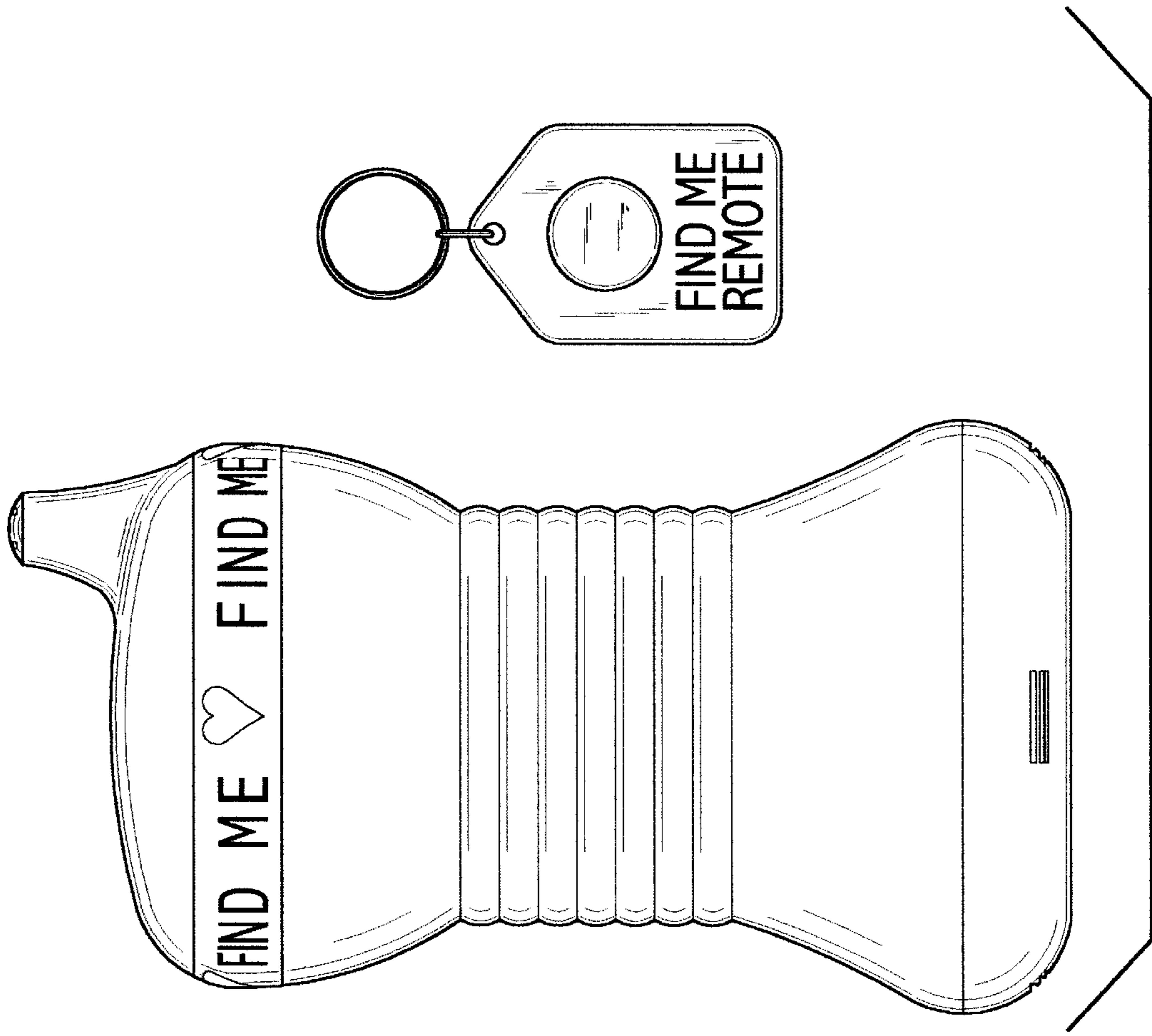


FIG. 1

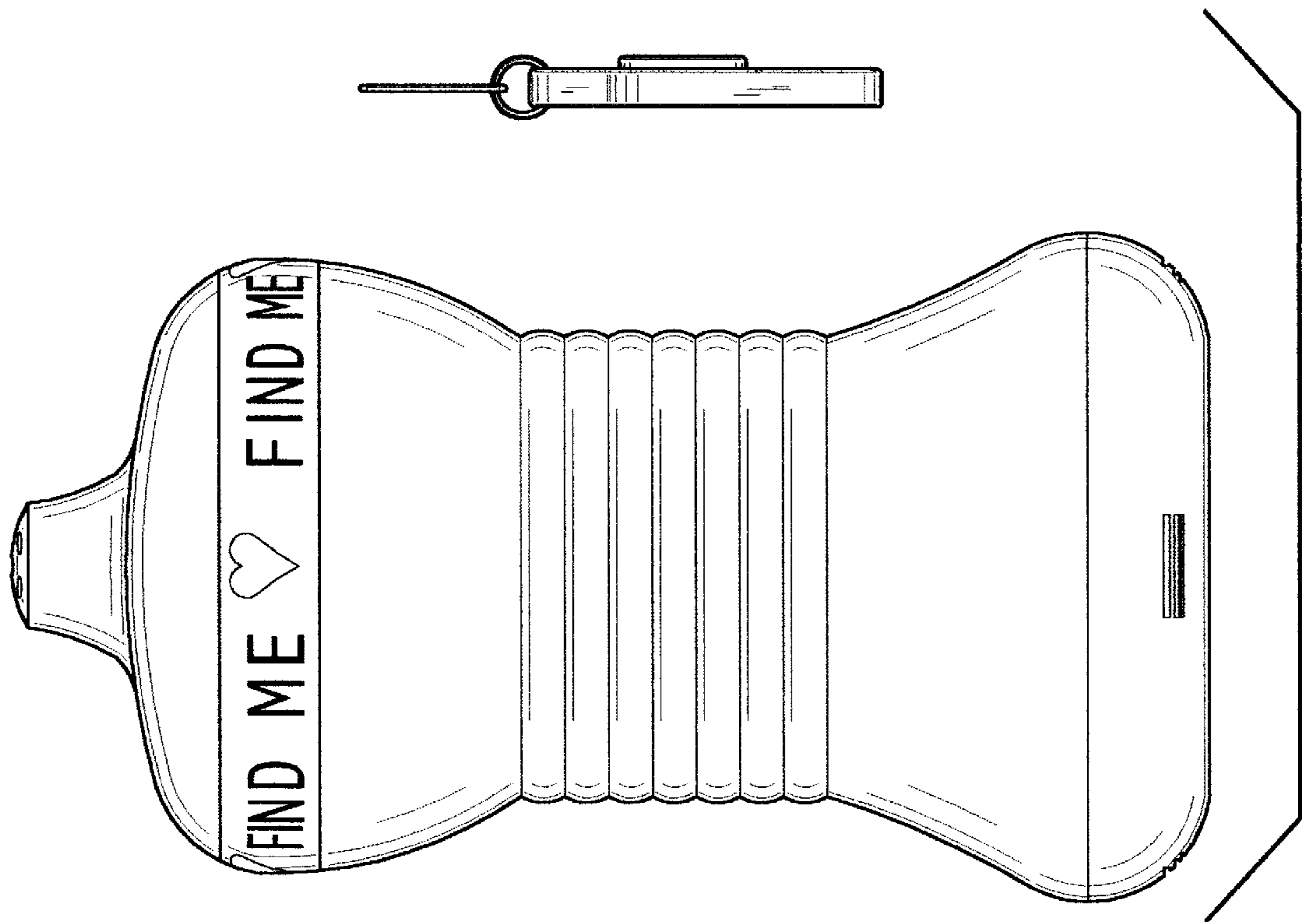


FIG. 2

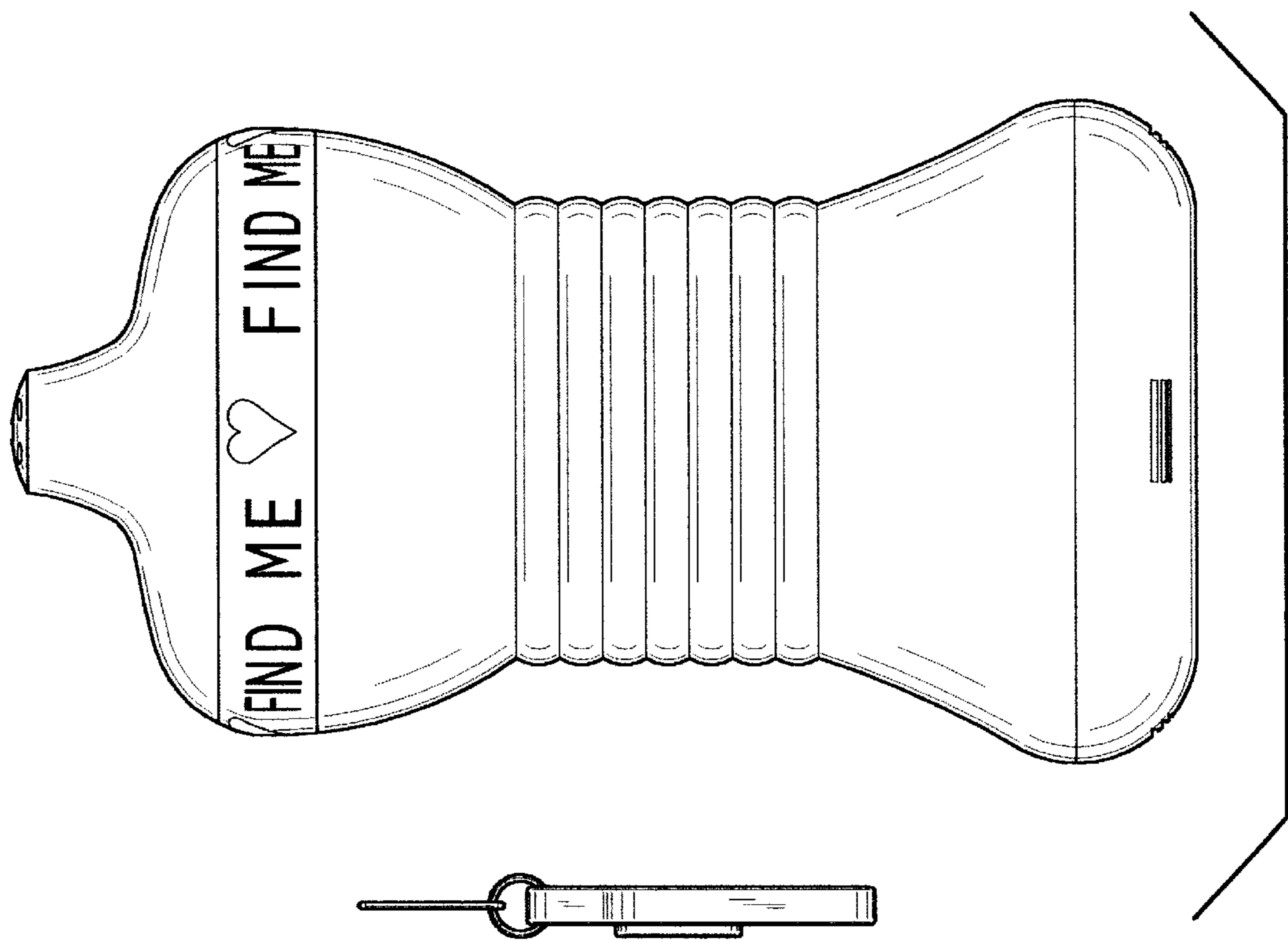


FIG. 3

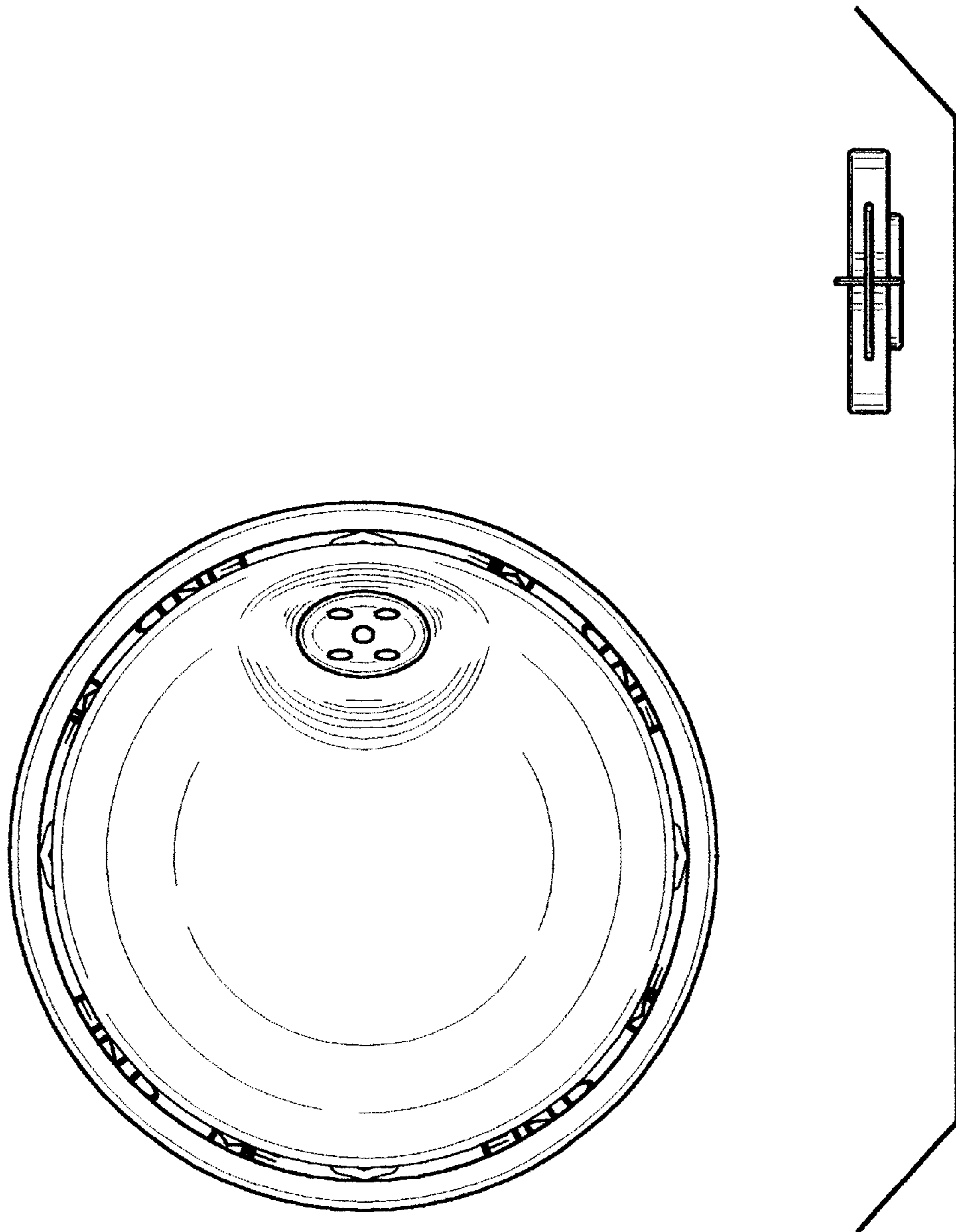


FIG. 4

FIG. 5

