



US00D475888S

(12) **United States Design Patent**
Celli

(10) **Patent No.:** **US D475,888 S**

(45) **Date of Patent:** **** Jun. 17, 2003**

(54) **TAP FOR DRINKS**

(75) **Inventor:** **Goffredo Celli, Coriano (IT)**

(73) **Assignee:** **Celli S.p.A., Coriano (IT)**

(**) **Term:** **14 Years**

(21) **Appl. No.:** **29/164,676**

(22) **Filed:** **Jul. 29, 2002**

(30) **Foreign Application Priority Data**

Feb. 1, 2002 (IT) RN2002O0001

(51) **LOC (7) Cl.** **07-99**

(52) **U.S. Cl.** **D7/398**

(58) **Field of Search** D7/398, 306, 307,
D7/308, 313; 251/263, 118; 239/435; 222/566,
129.1, 129.2, 129.3, 183, 146.6; 62/389;
220/592.19; D23/226, 238, 255

(56) **References Cited**

U.S. PATENT DOCUMENTS

D187,416 S * 3/1960 Lewis D7/398

D189,636 S * 1/1961 Cripe D7/398

D280,880 S * 10/1985 Schweres D7/398

4,674,296 A * 6/1987 Renaud 62/389

D304,665 S * 11/1989 Start D7/313

D412,262 S * 7/1999 Roundtree D7/307

* cited by examiner

Primary Examiner—M. N. Pandozzi

(74) *Attorney, Agent, or Firm*—Pearne & Gordon LLP

(57) **CLAIM**

The ornamental design for a tap for drinks, as shown and described.

DESCRIPTION

FIG. 1 is a perspective view of a tap for drinks showing my new design;

FIG. 2 is a left side view thereof;

FIG. 3 is a right side view thereof;

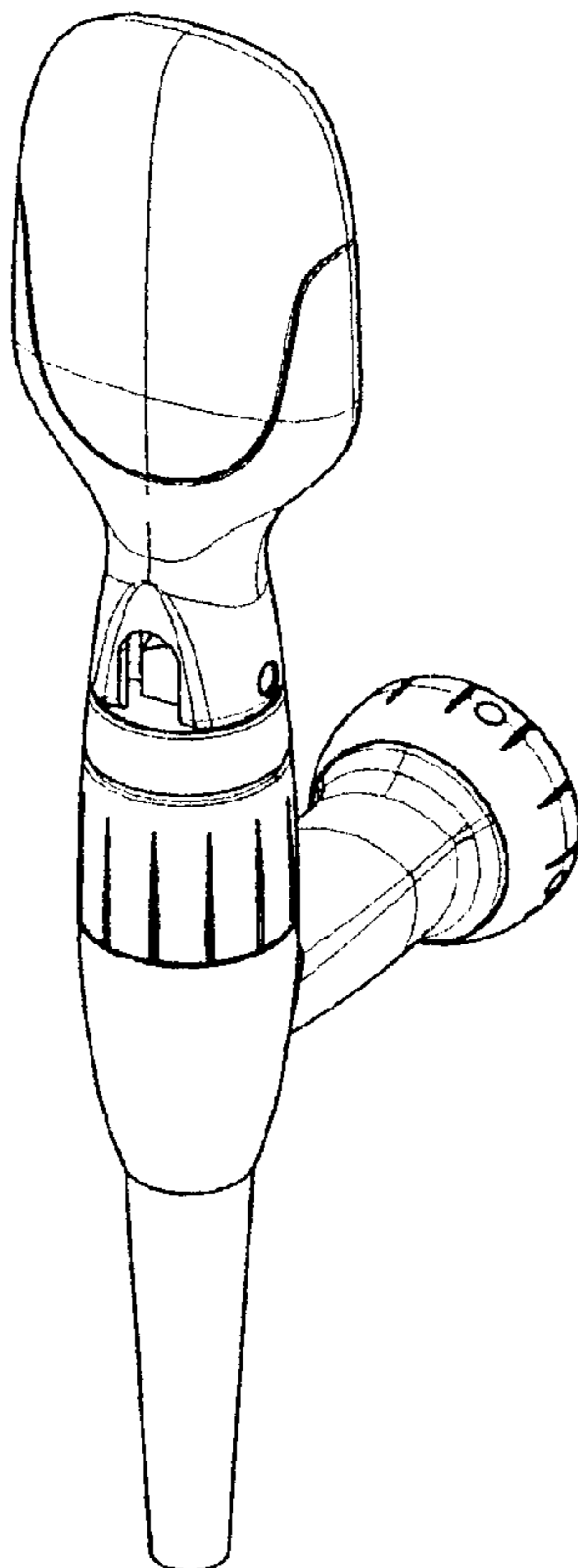
FIG. 4 is a front view thereof;

FIG. 5 is a rear side view thereof;

FIG. 6 is a top plan view thereof; and,

FIG. 7 is a bottom plan view thereof.

1 Claim, 1 Drawing Sheet



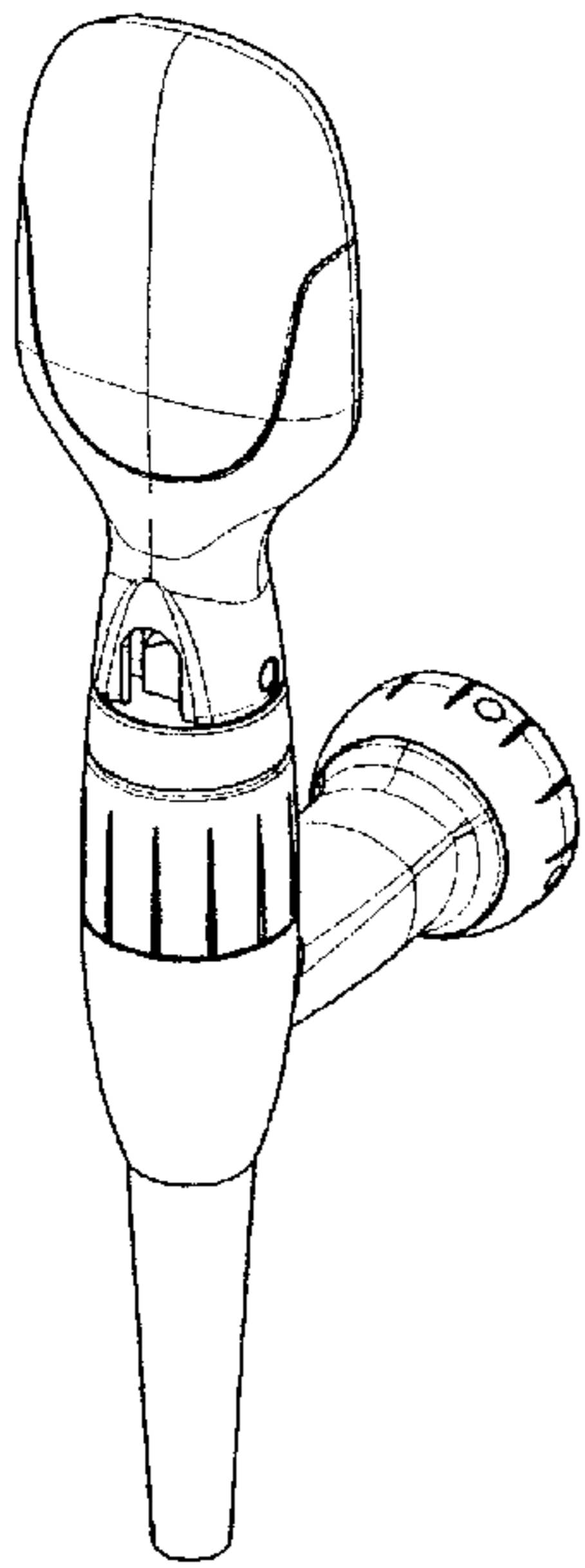


Fig.1

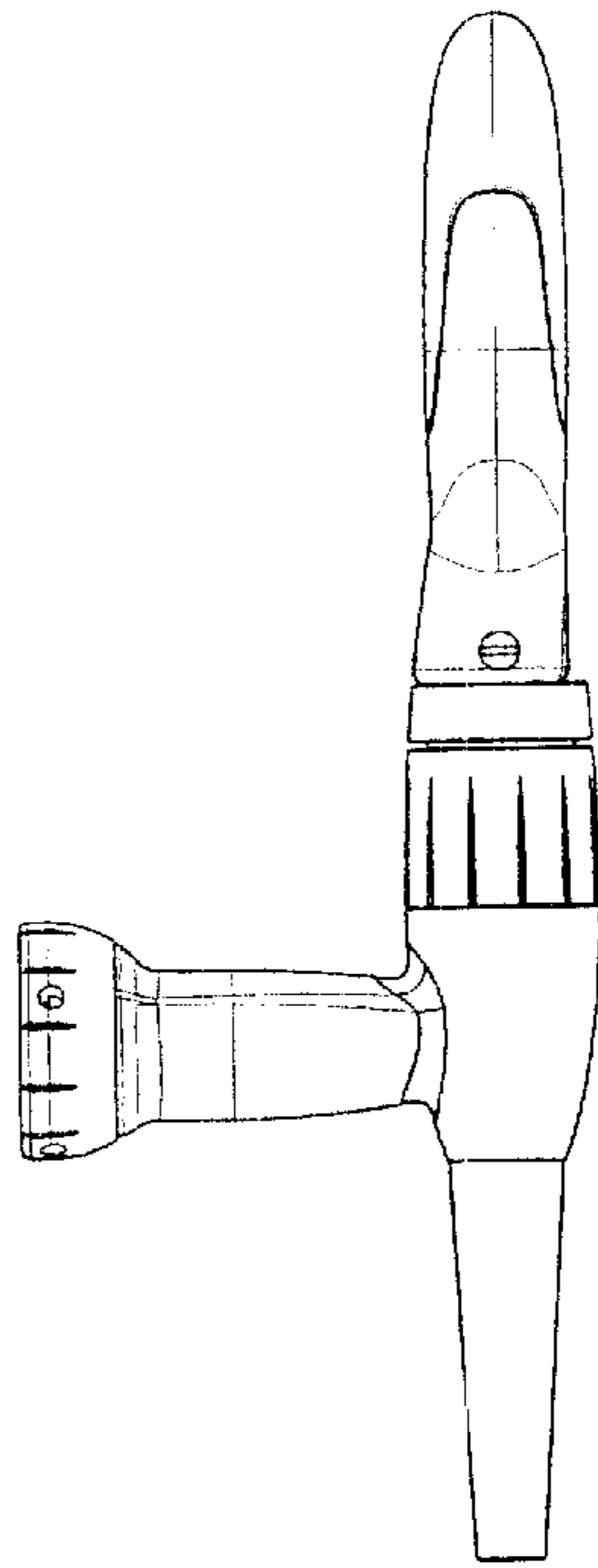


Fig.2

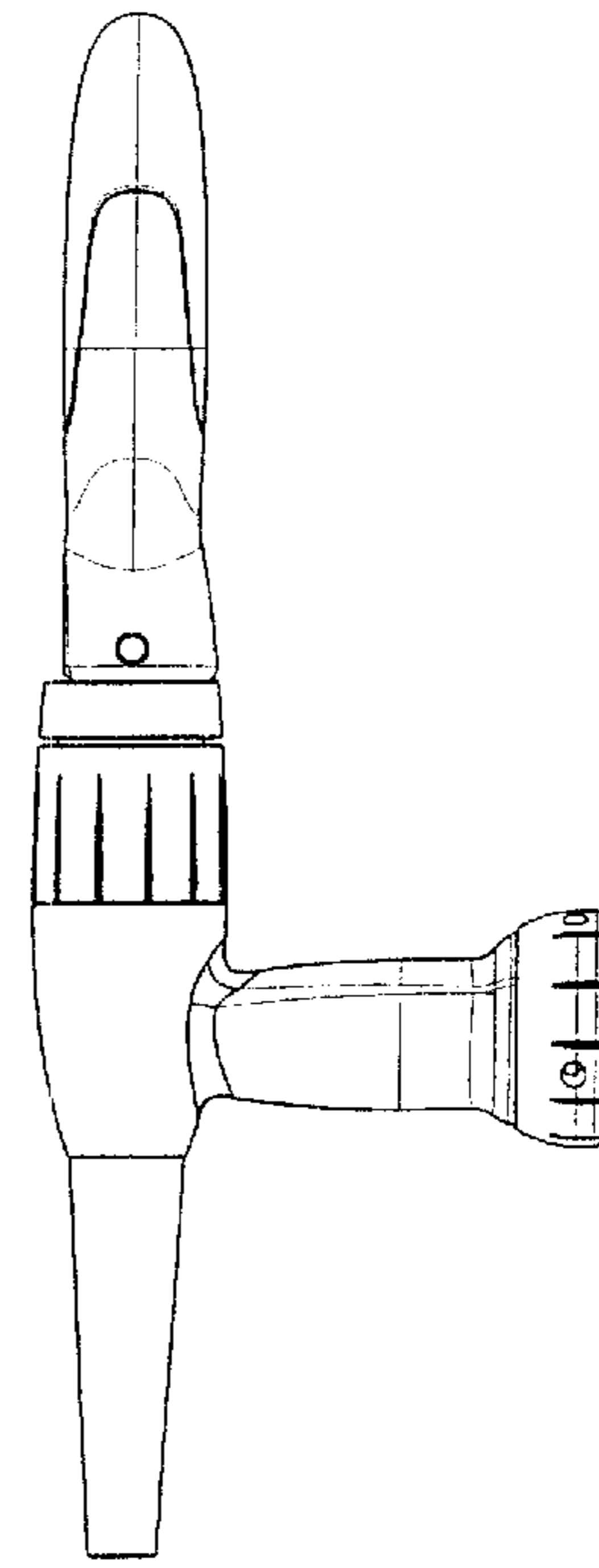


Fig.3

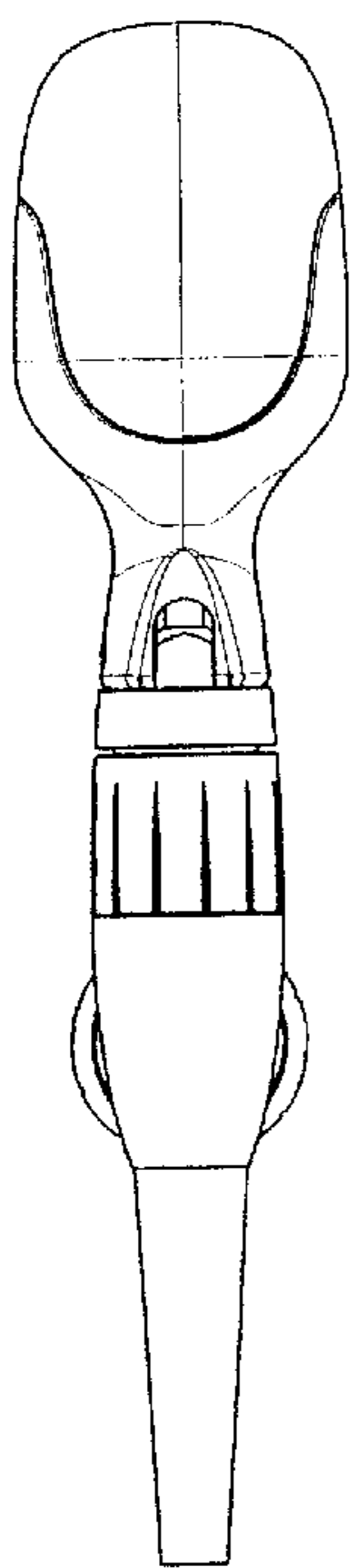


Fig.4

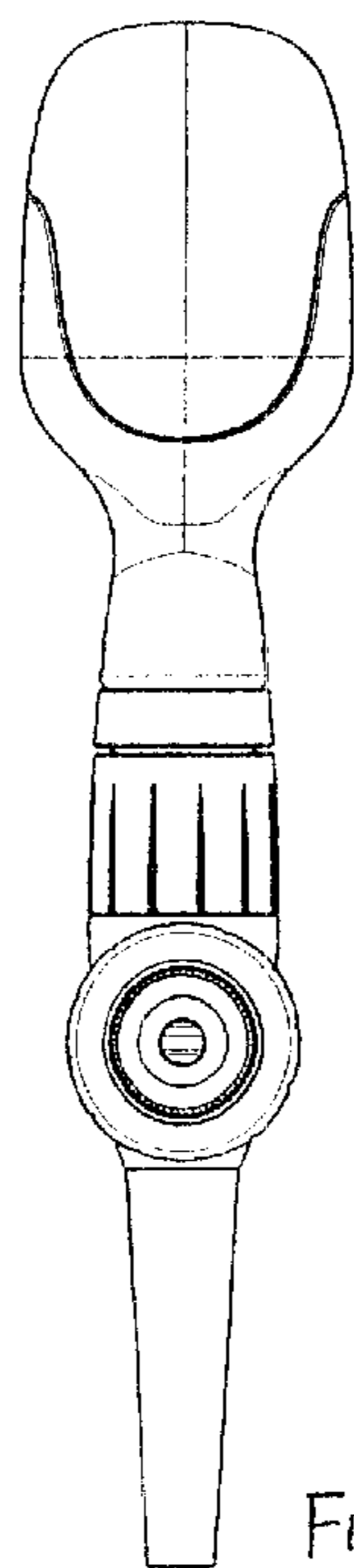


FIG.5

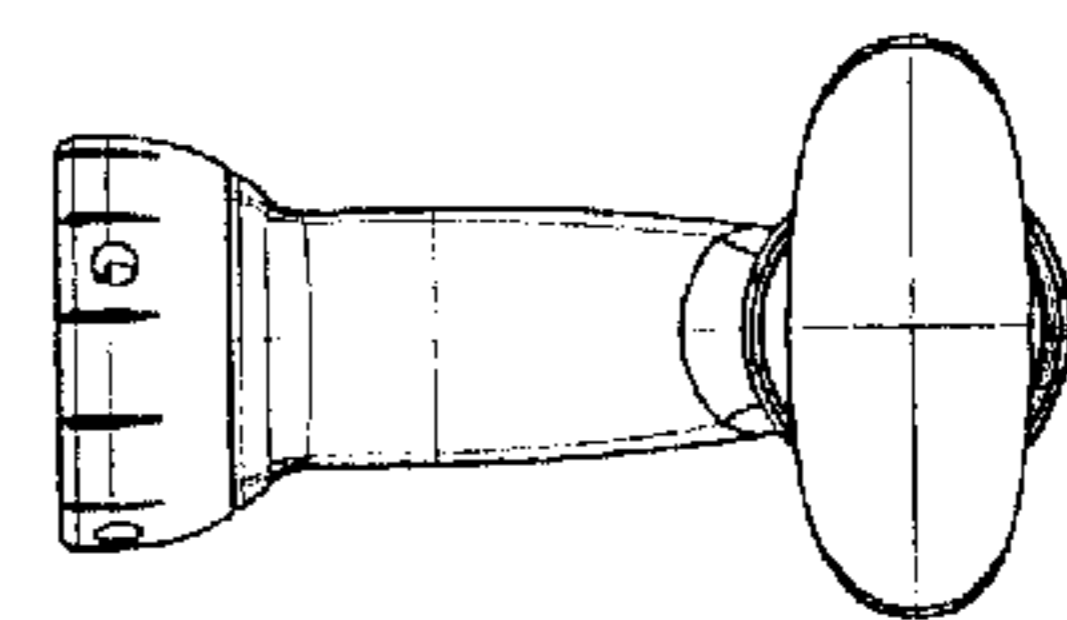


Fig.6

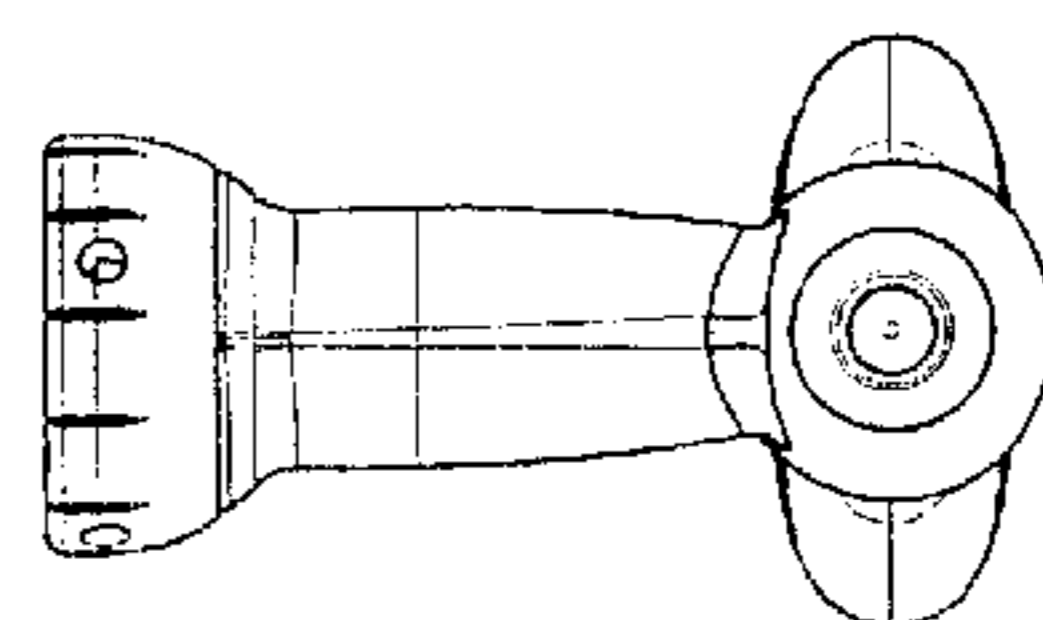


Fig.7