



US00D475885S

(12) **United States Design Patent**  
**Hermansen et al.**

(10) **Patent No.: US D475,885 S**

(45) **Date of Patent: \*\* \*Jun. 17, 2003**

- (54) **PORTABLE BARBEQUE GRILL**
- (75) Inventors: **Arlen W. Hermansen**, Petaluma, CA (US); **Allan W. Hermansen**, Petaluma, CA (US)
- (73) Assignee: **Hans Plads, Inc.**, Petaluma, CA (US)
- (\* ) Notice: This patent is subject to a terminal disclaimer.
- (\*\*) Term: **14 Years**
- (21) Appl. No.: **29/156,500**
- (22) Filed: **Feb. 28, 2002**

**Related U.S. Application Data**

- (63) Continuation-in-part of application No. 29/139,028, filed on Mar. 21, 2001.
- (51) **LOC (7) Cl. .... 07-02**
- (52) **U.S. Cl. .... D7/332**
- (58) **Field of Search** ..... D7/332-337, 402, D7/409; 126/25 R, 25 A, 25 AA, 41 R, 9 R, 9 B, 506, 519, 38; 99/443, 450, 421 R; D3/905, 201, 203, 272, 276, 291

**References Cited**

**U.S. PATENT DOCUMENTS**

2,419,344 A	4/1947	Eggleston	126/25
2,477,529 A	7/1949	Sprinkle et al.	126/9
2,985,164 A	5/1961	Imoto et al.	126/25
3,050,356 A	8/1962	Messmer	
3,380,444 A	4/1968	Stalker	126/25
3,520,290 A	7/1970	Winters	126/25
D237,121 S	10/1975	Metzner	
D258,175 S	2/1981	Hazeltine	D3/74
D281,836 S	12/1985	Sparkman	D3/74
D301,106 S	5/1989	Oliphant	D7/332
4,840,118 A	6/1989	Rinehart	
D302,641 S	8/1989	Elmburg	D7/332
D303,061 S	8/1989	Fountain, Sr.	D7/332
5,032,183 A	7/1991	Frazier	134/5
D323,444 S	1/1992	Masters	D7/332

D361,693 S	*	8/1995	Burke	D7/337
5,437,222 A		8/1995	Franklin	99/450
5,501,142 A		3/1996	Bailey	99/482
D388,251 S		12/1997	Smith	D3/291
5,947,105 A		9/1999	Scott et al.	126/9
D420,244 S		2/2000	Pai	D7/332
6,058,832 A		5/2000	Fountain	99/446
D428,760 S		8/2000	Huang	D7/334
D430,776 S		9/2000	Pai	D7/402
6,213,004 B1		4/2001	Franco	99/421
D460,656 S	*	7/2002	Caulder	D7/332

**OTHER PUBLICATIONS**

U.S. patent application Ser. No. 29/139,065, Hermansen et al., filed Mar. 21, 2001.

\* cited by examiner

*Primary Examiner*—Ruth McInroy  
(74) *Attorney, Agent, or Firm*—Squire, Sanders & Dempsey, L.L.P.

(57) **CLAIM**

The ornamental design for a portable barbeque grill, as shown and described.

**DESCRIPTION**

FIG. 1 is a front-top perspective view of a portable barbeque grill showing our new design;

FIG. 2 is a front view of the portable barbeque grill of FIG. 1;

FIG. 3 is a side view of the portable barbeque grill of FIG. 1, both side views being identical;

FIG. 4 is a top view of the portable barbeque grill of FIG. 1;

FIG. 5 is a bottom view of the portable barbeque grill of FIG. 1;

FIG. 6 is a rear view of the portable barbeque grill of FIG. 1;

FIG. 7 is a front-top perspective view of a second embodiment thereof;

FIG. 8 is a front view of the portable barbeque grill of FIG. 7;

FIG. 9 is a side view of the portable barbeque grill of FIG. 7, both side views being identical;

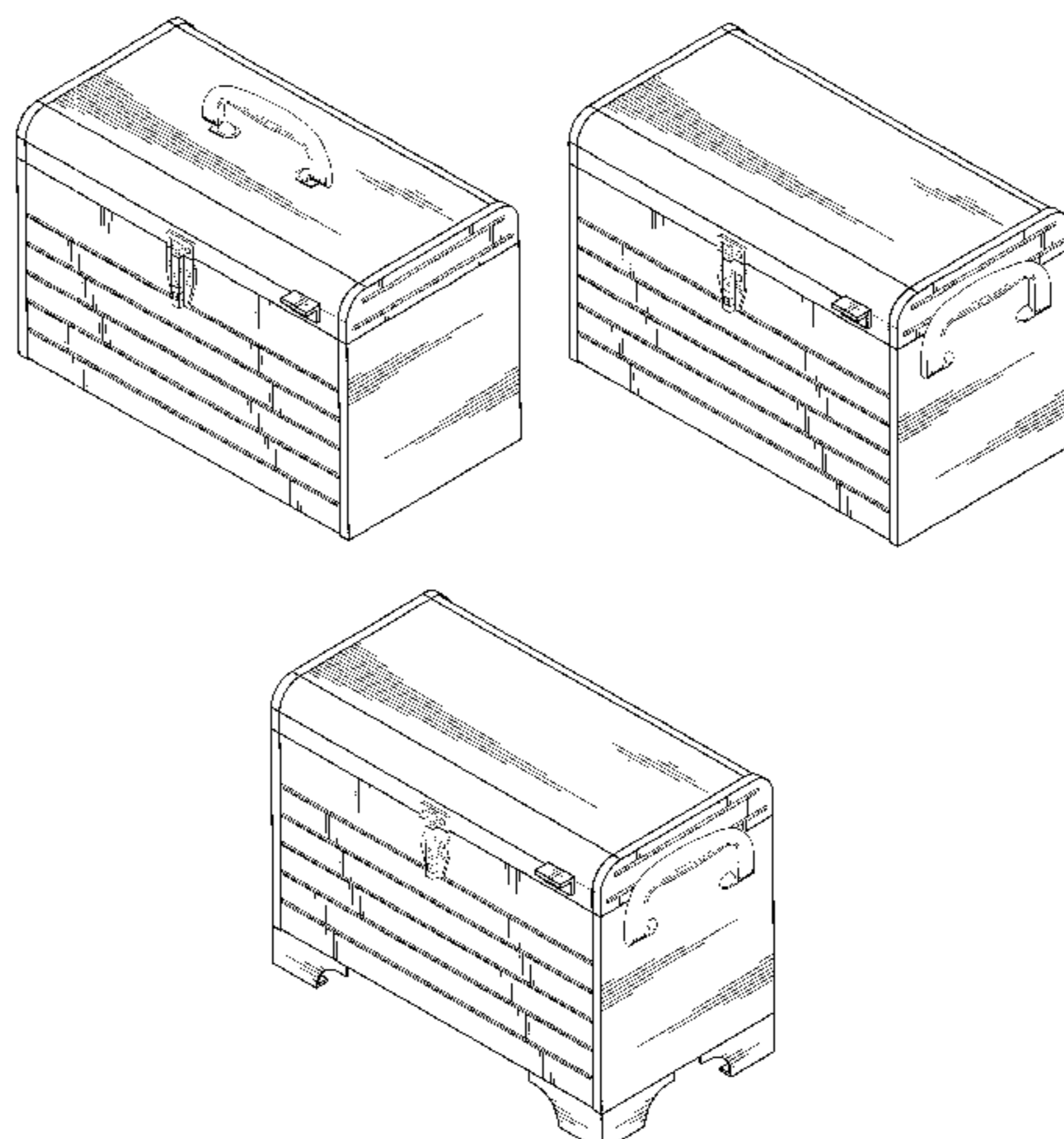


FIG. 10 is a top view of the portable barbeque grill of FIG. 7;

FIG. 11 is a bottom view of the portable barbeque grill of FIG. 7;

FIG. 12 is a rear view of the portable barbeque grill of FIG. 7;

FIG. 13 is a front-top perspective view of a third embodiment thereof;

FIG. 14 is a front view of the portable barbeque grill of FIG. 13;

FIG. 15 is a side view of the portable barbeque grill of FIG. 13, both side views being identical;

FIG. 16 is a top view of the portable barbeque grill of FIG. 13;

FIG. 17 is a bottom view of the portable barbeque grill of FIG. 13;

FIG. 18 is a rear view of the portable barbeque grill of FIG. 13;

FIG. 19 is a front-top perspective view of a fourth embodiment thereof;

FIG. 20 is a front view of the portable barbeque grill of FIG. 19;

FIG. 21 is a side view of the portable barbeque grill of FIG. 19, both side views being identical;

FIG. 22 is a top view of the portable barbeque grill of FIG. 19;

FIG. 23 is a bottom view of the portable barbeque grill of FIG. 19; and,

FIG. 24 is a rear view of the portable barbeque grill of FIG. 19.

**1 Claim, 8 Drawing Sheets**

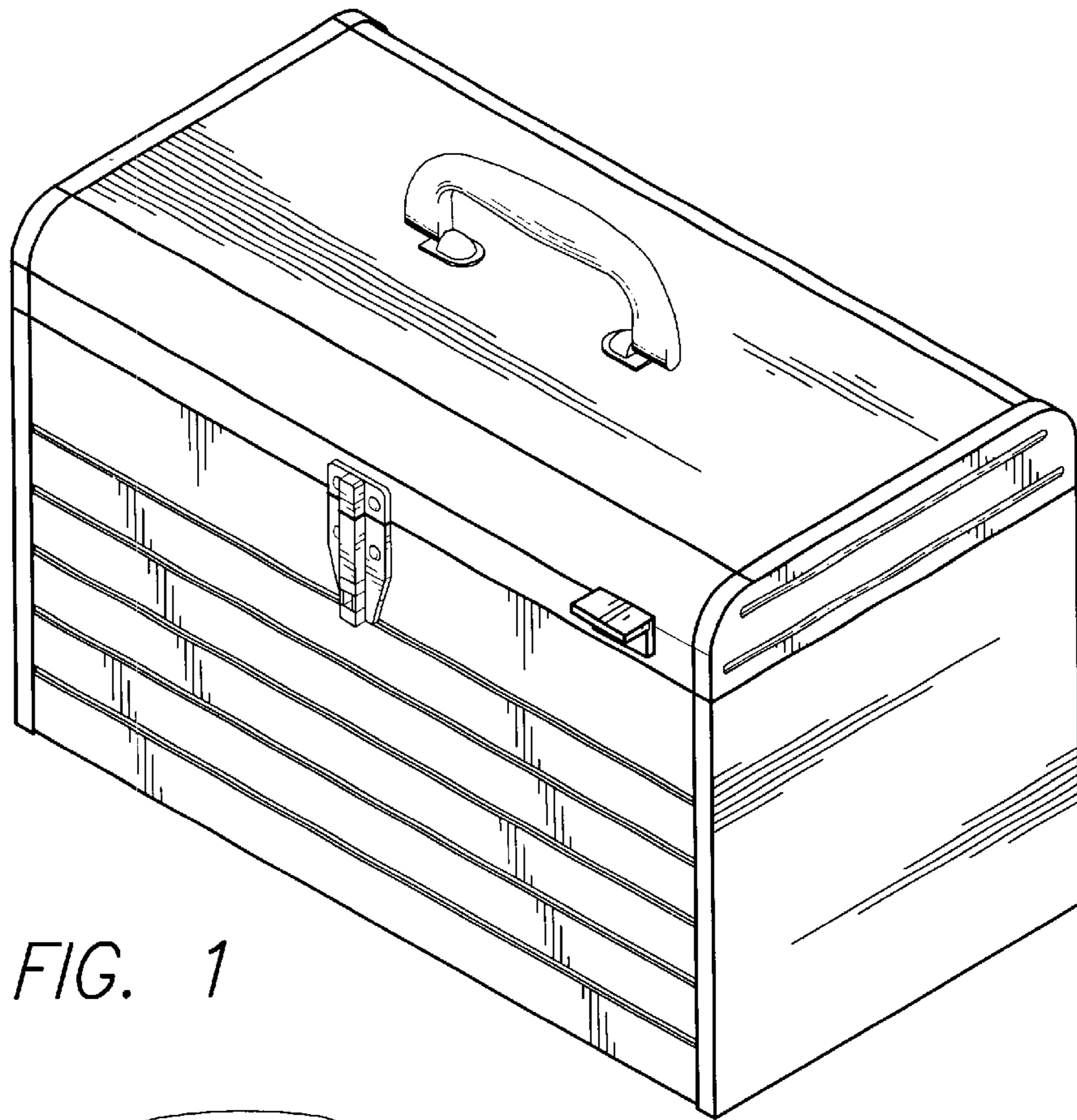


FIG. 1

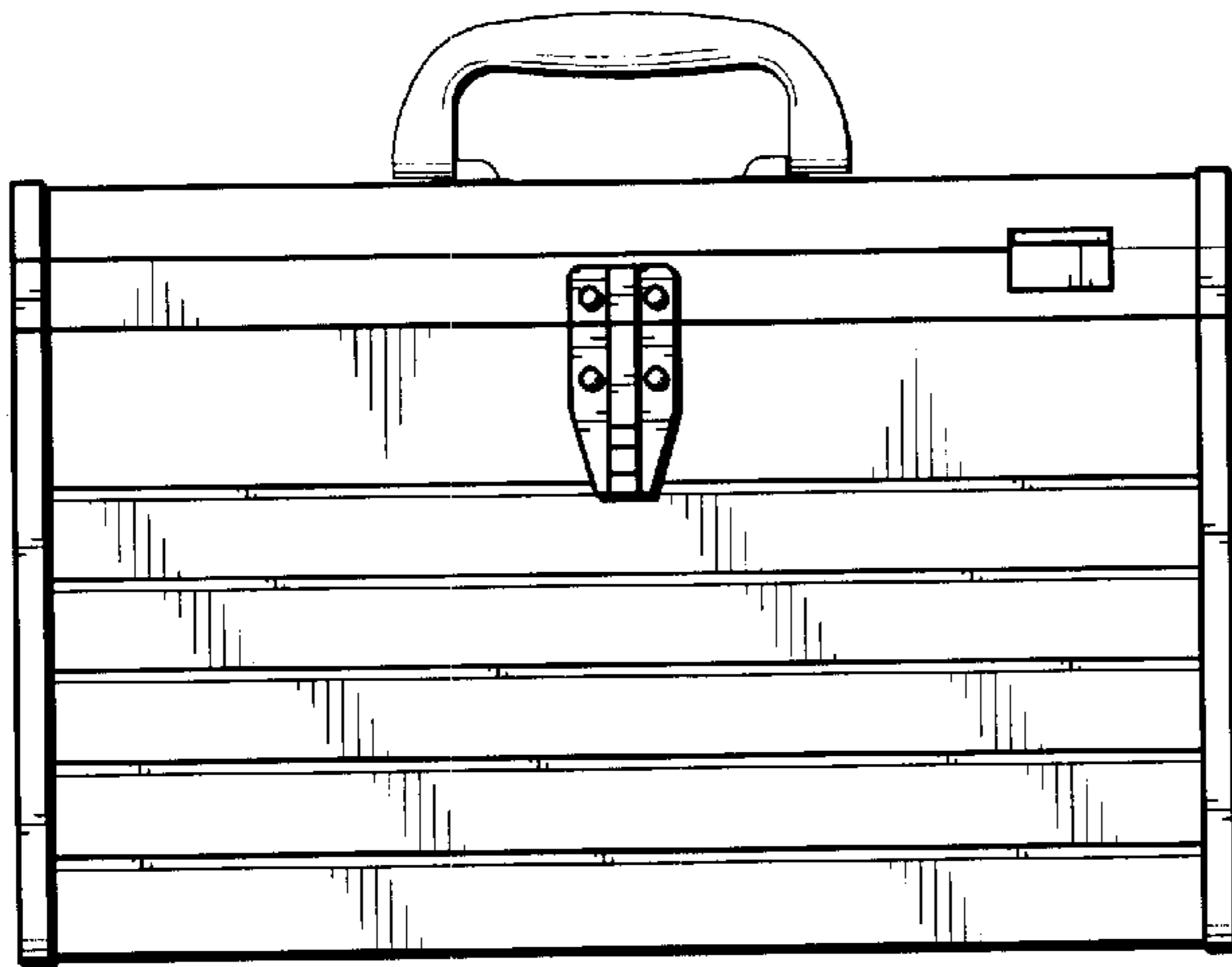


FIG. 2

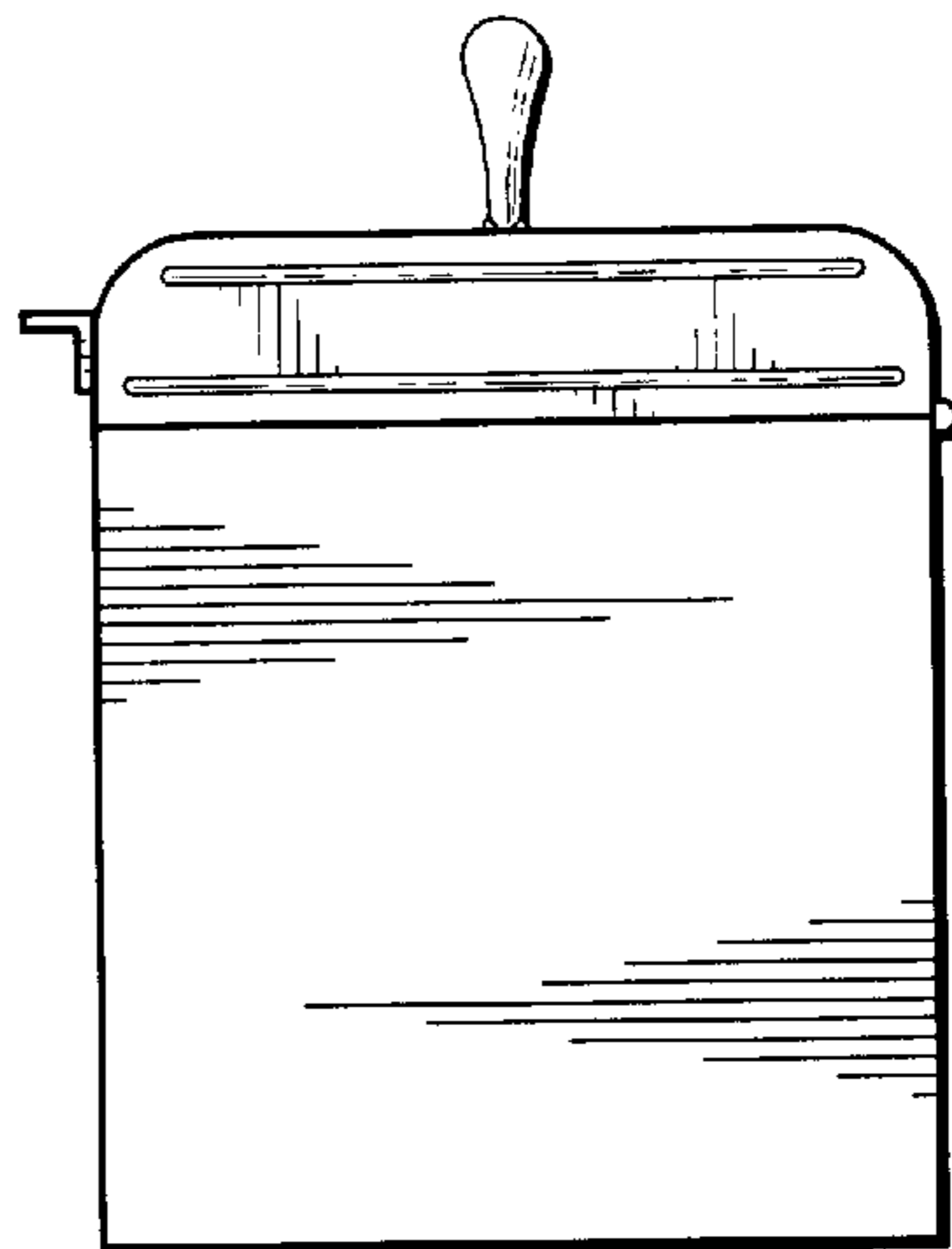


FIG. 3

FIG. 4

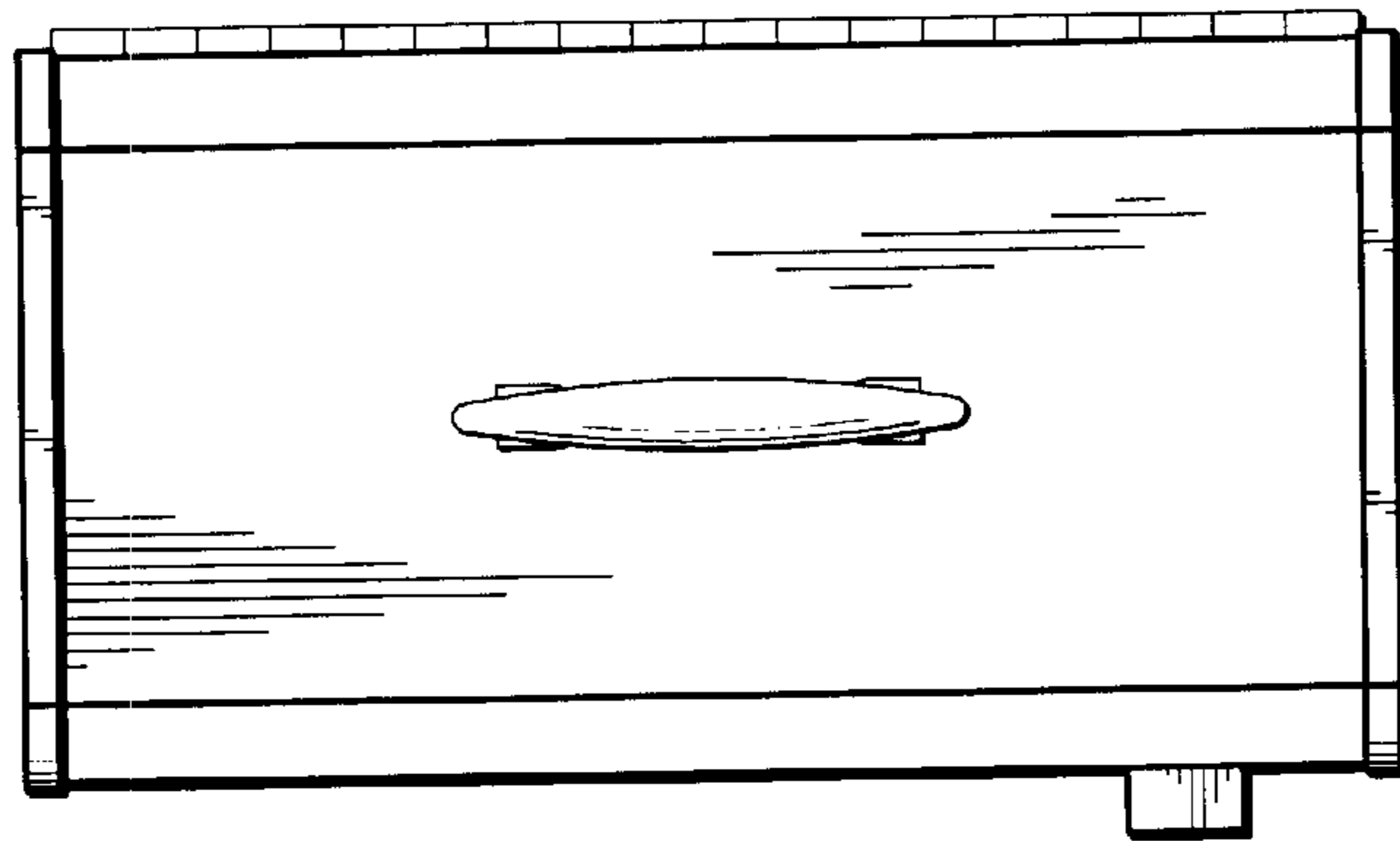


FIG. 5

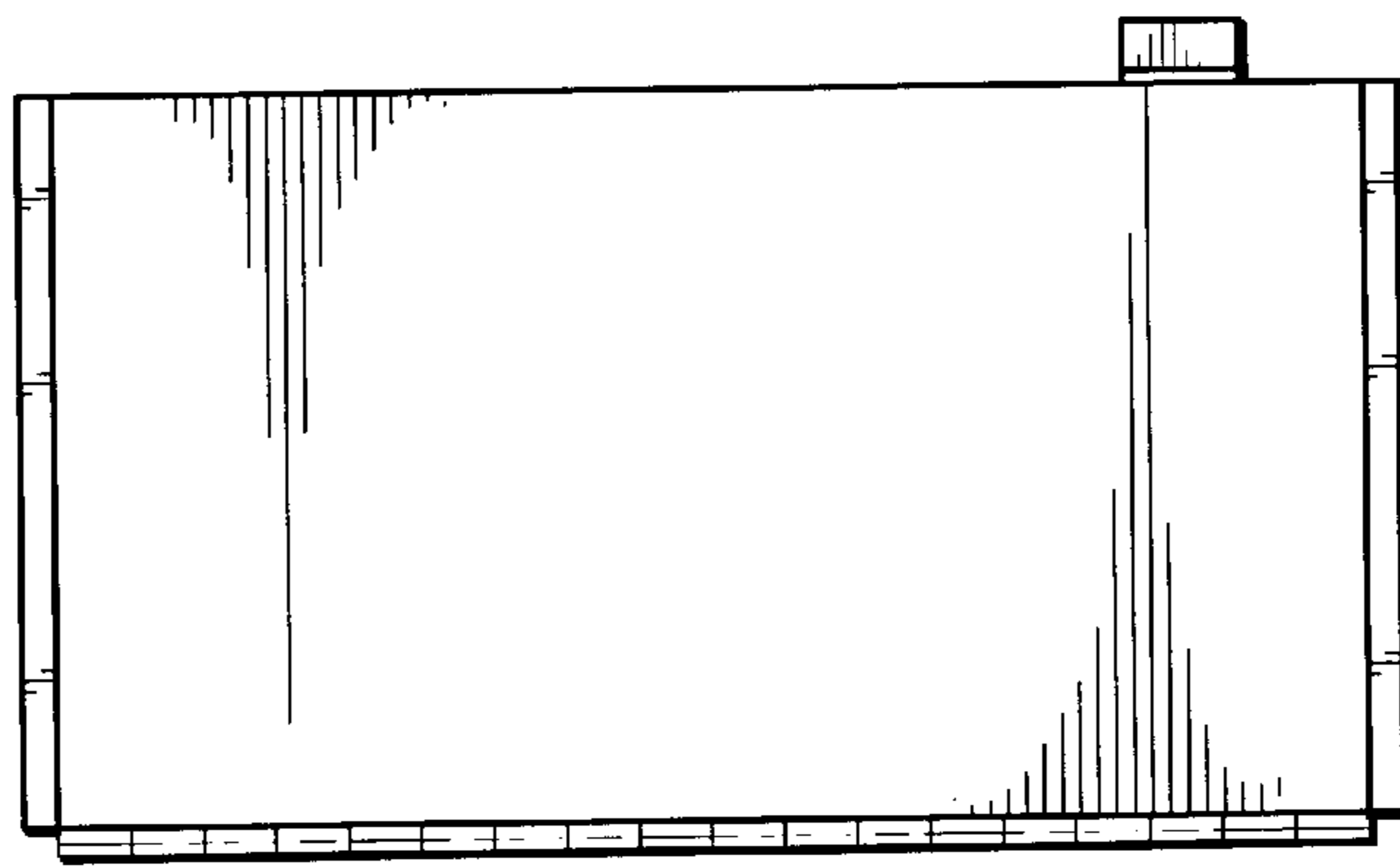
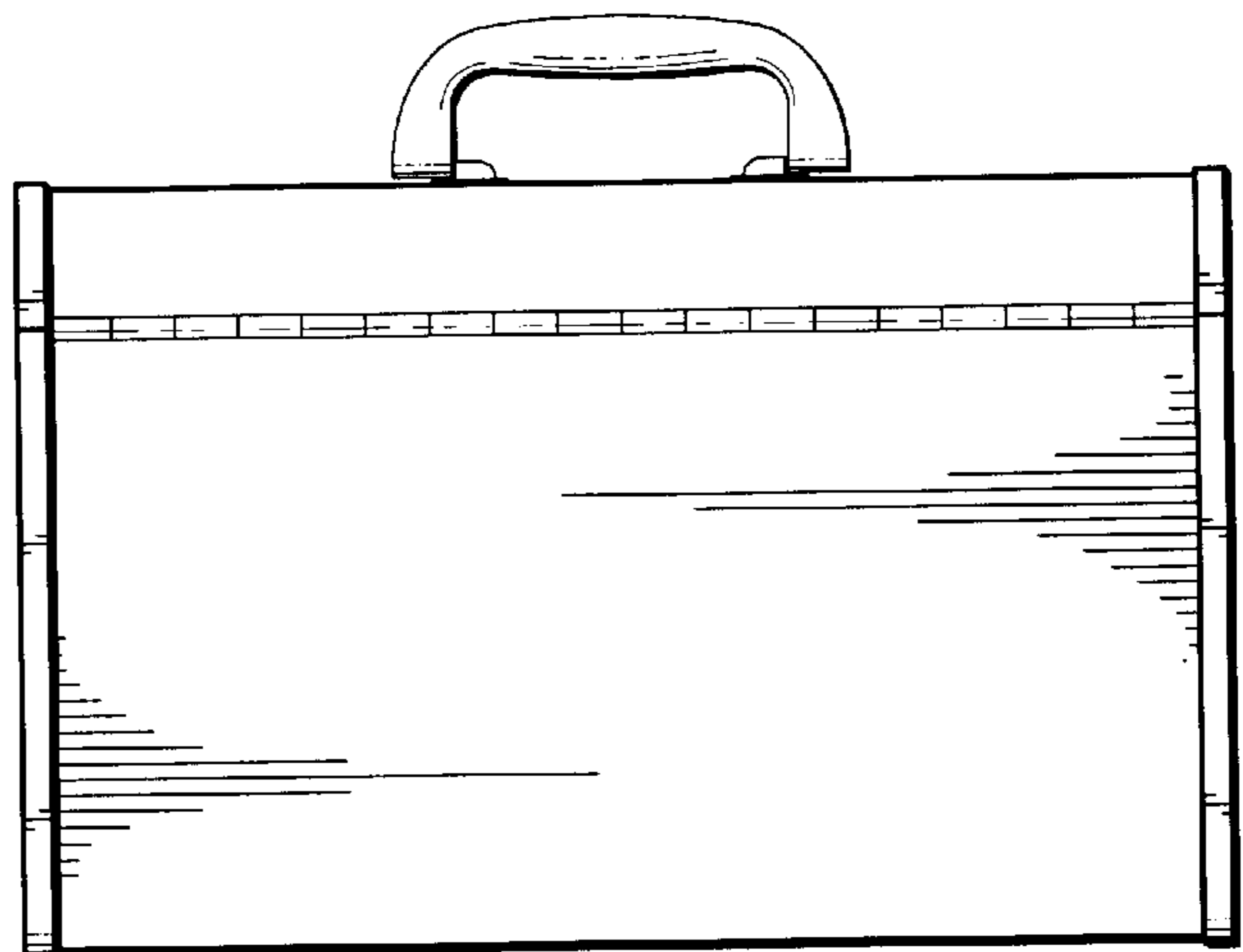


FIG. 6



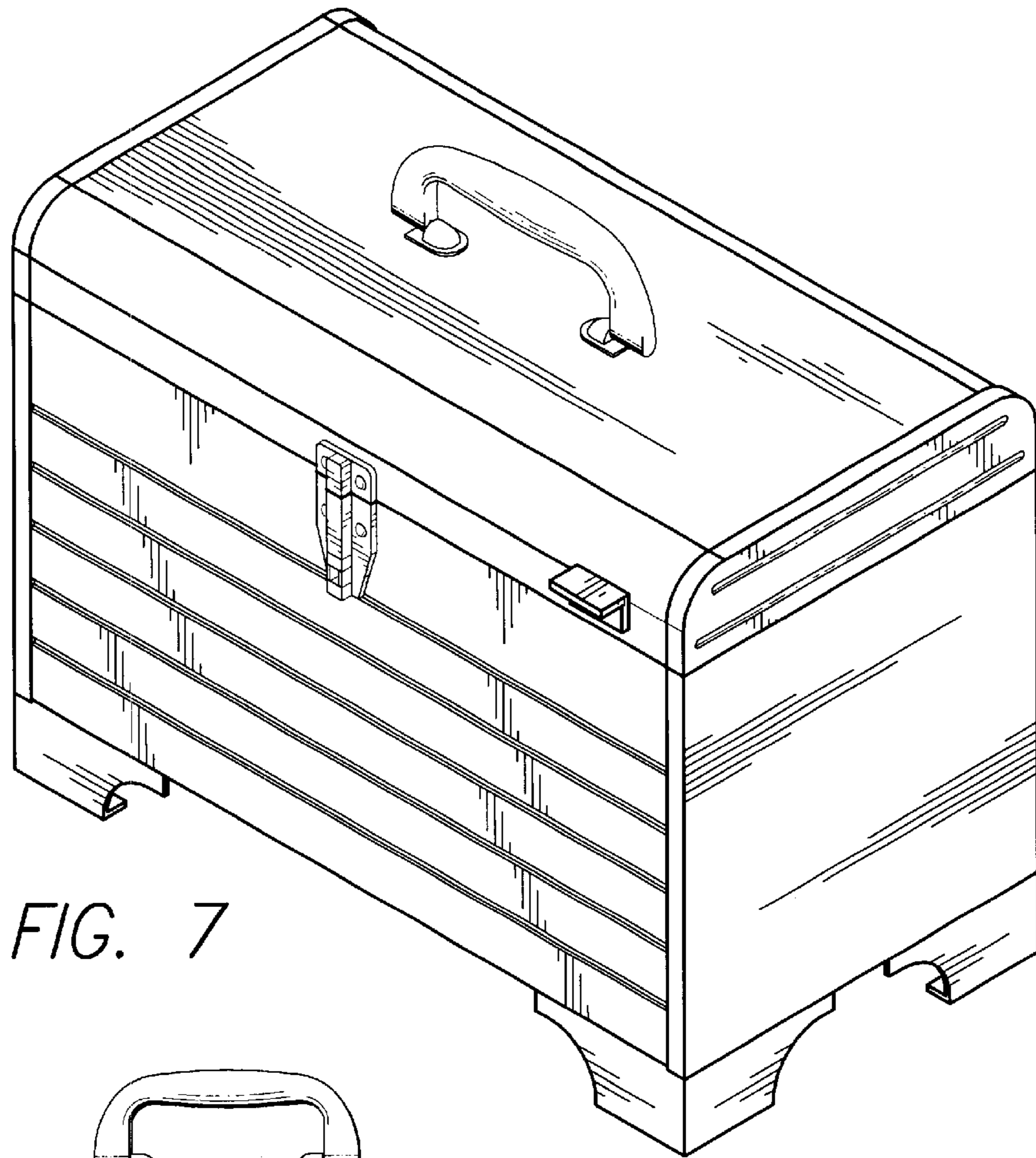


FIG. 7

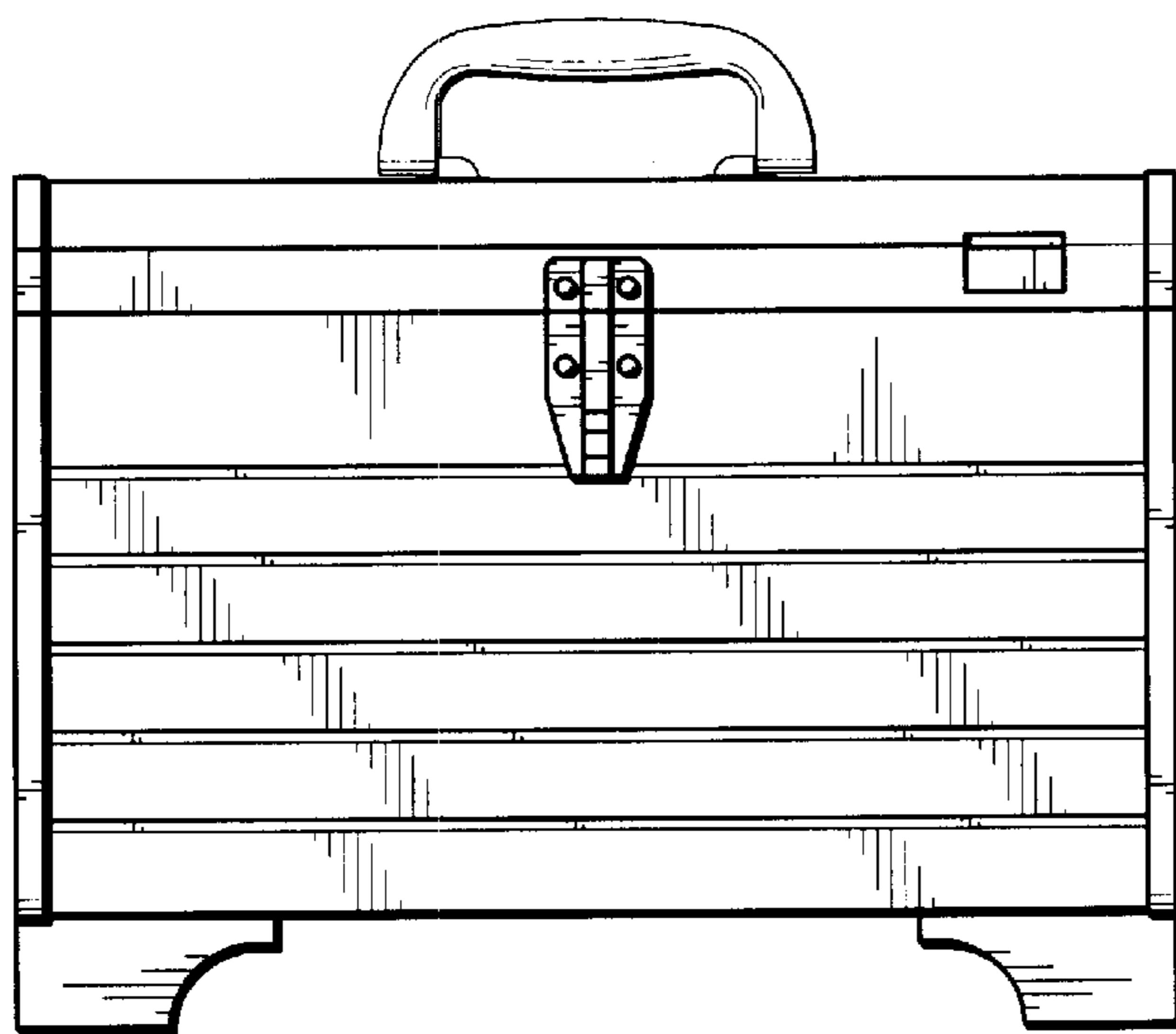


FIG. 8

FIG. 9

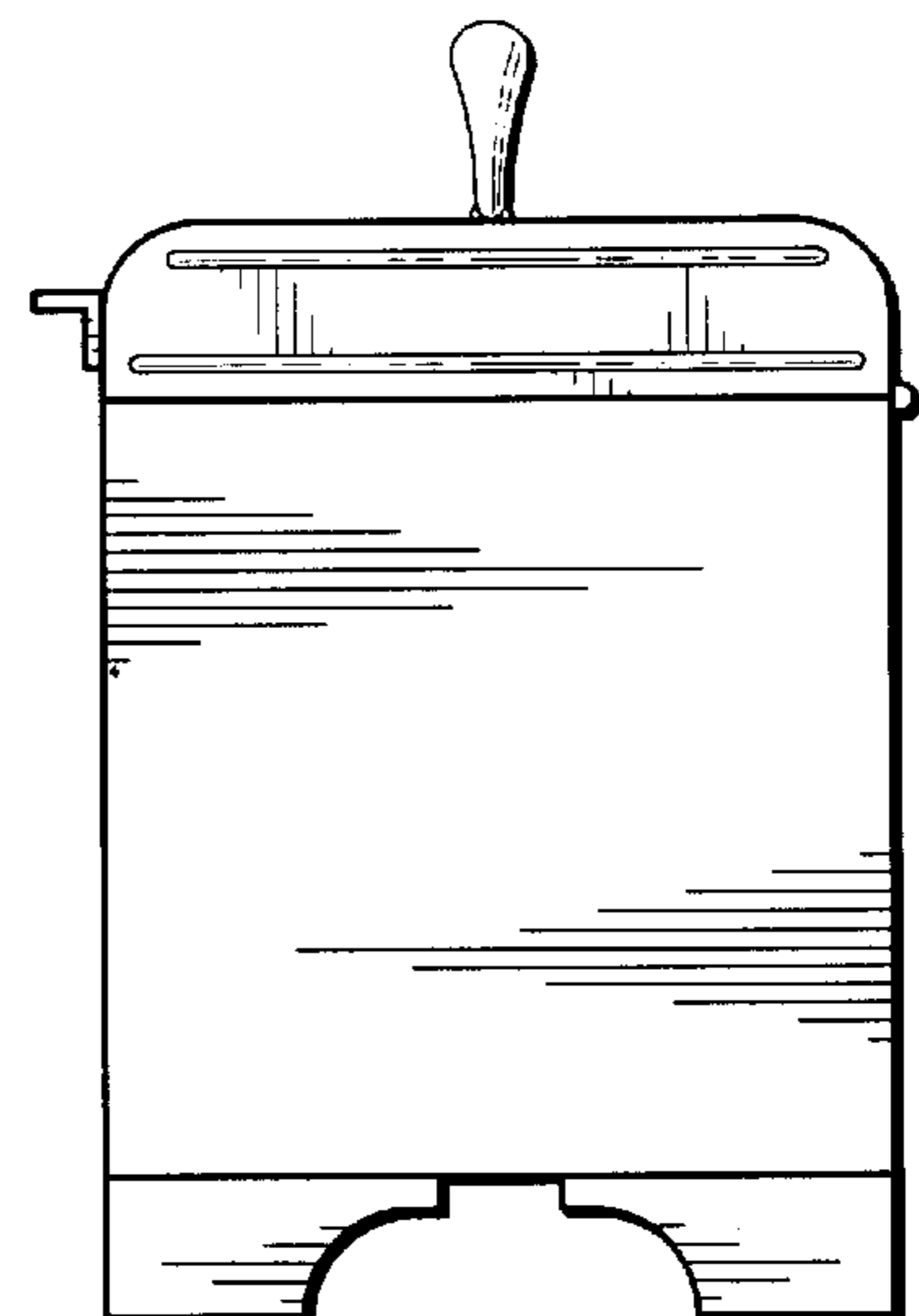


FIG. 10

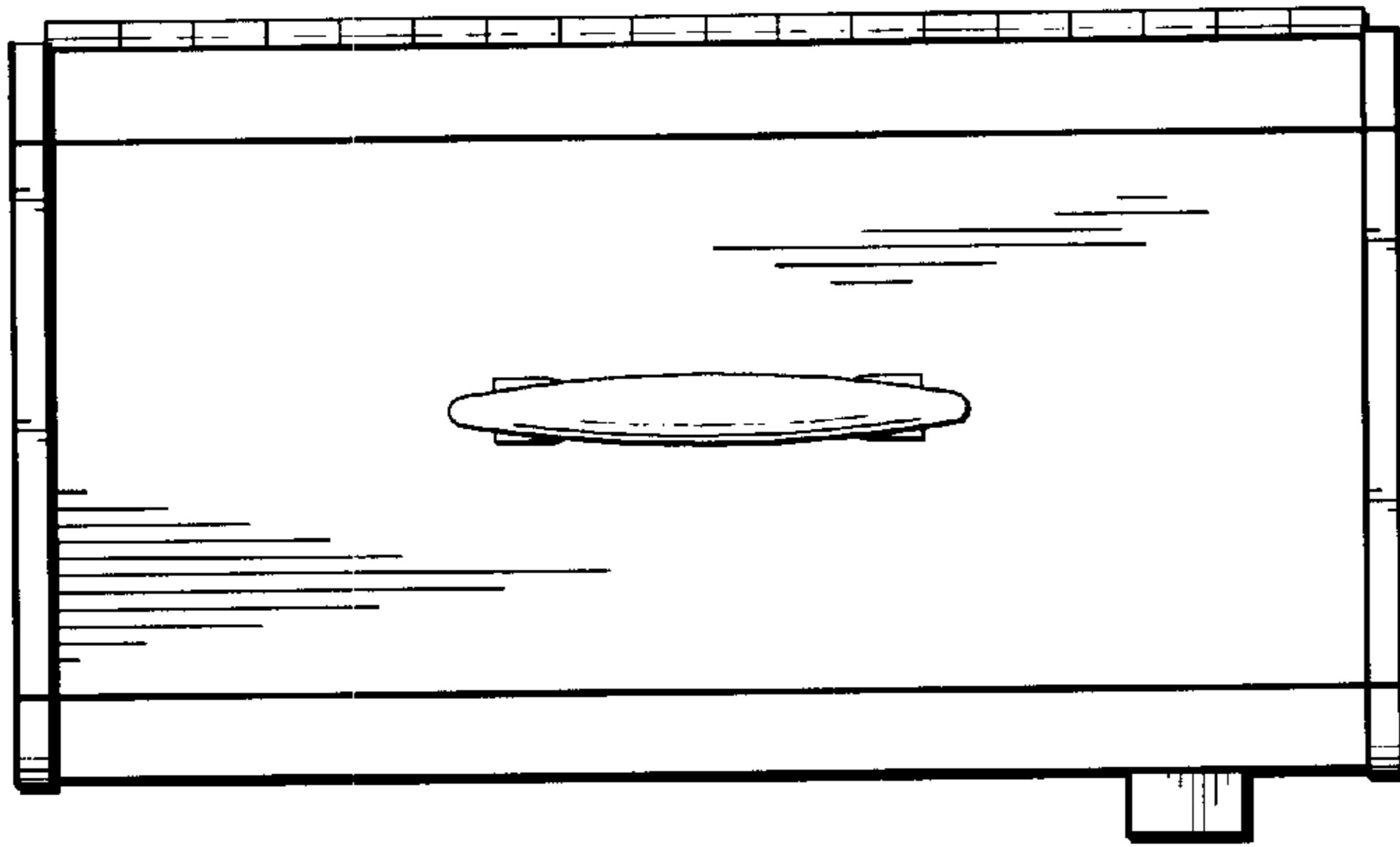


FIG. 11

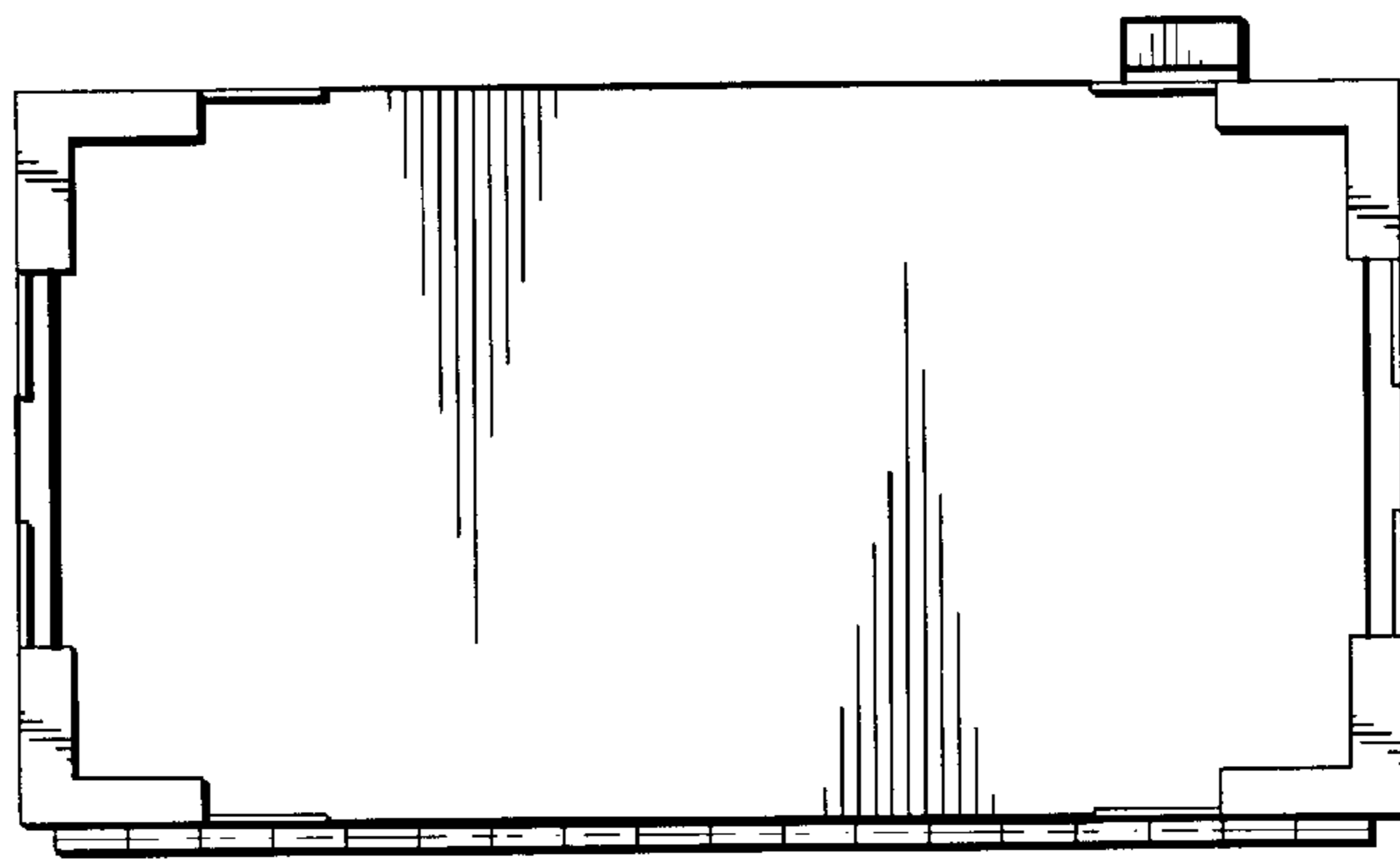
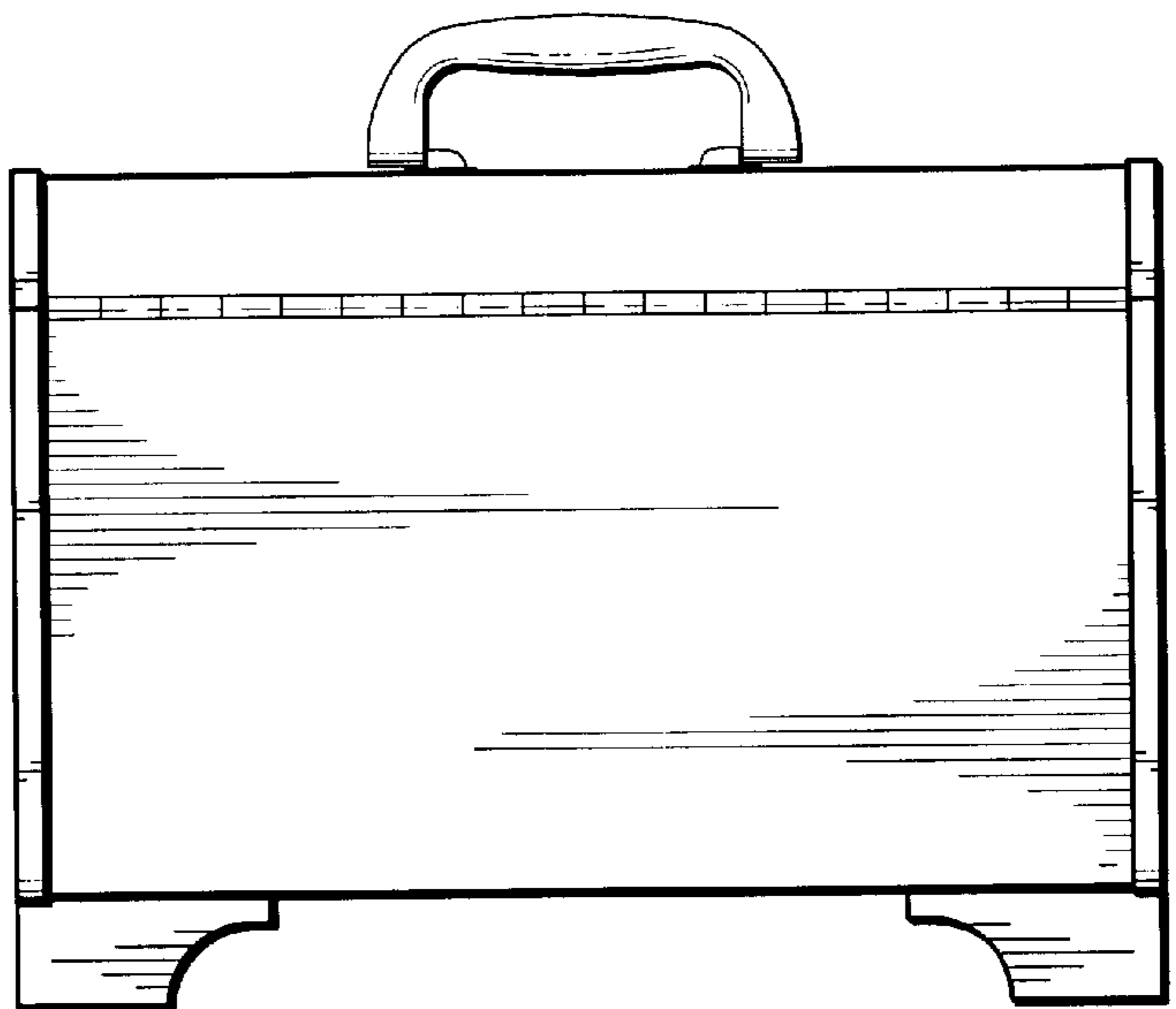


FIG. 12



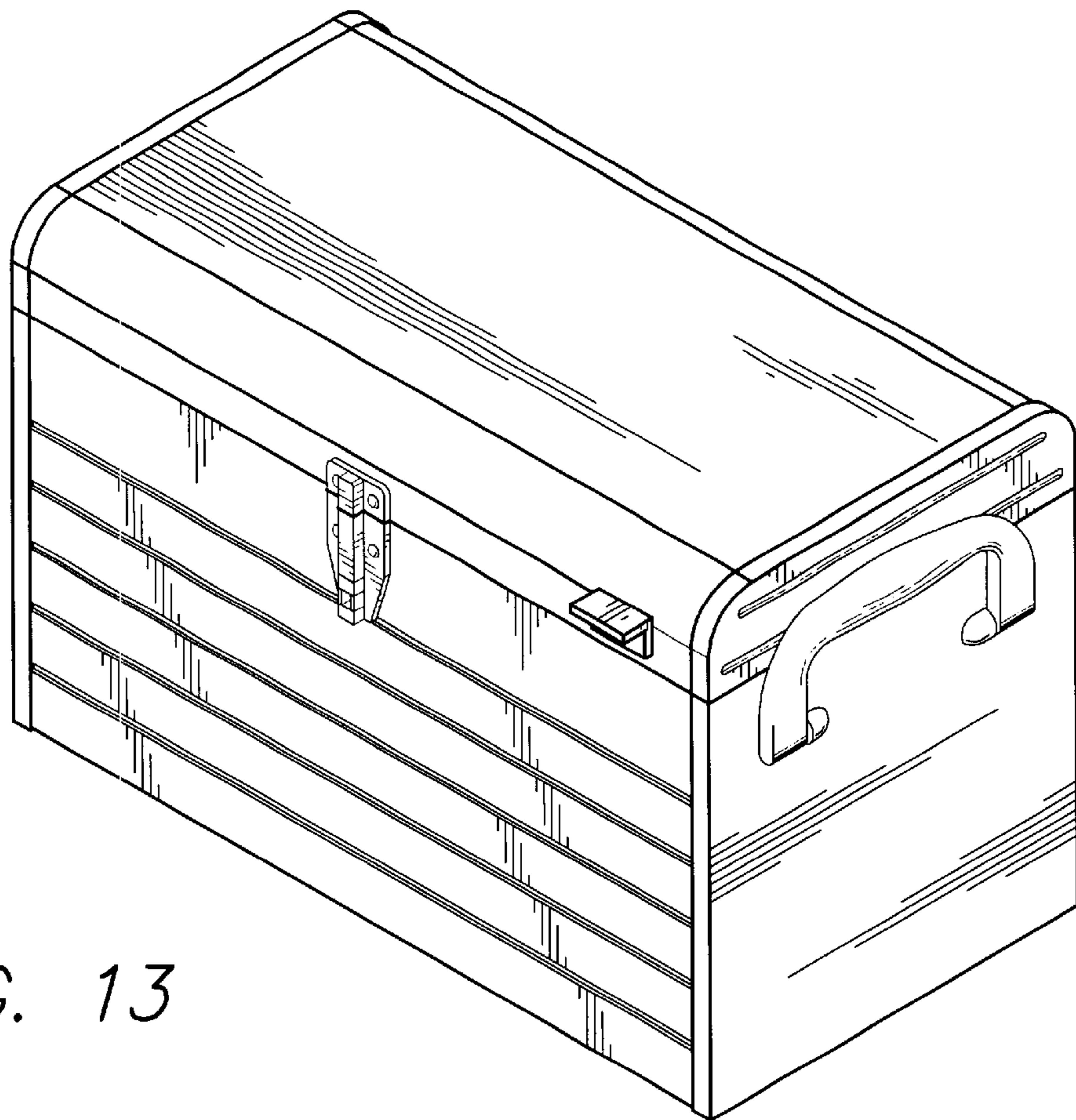


FIG. 13

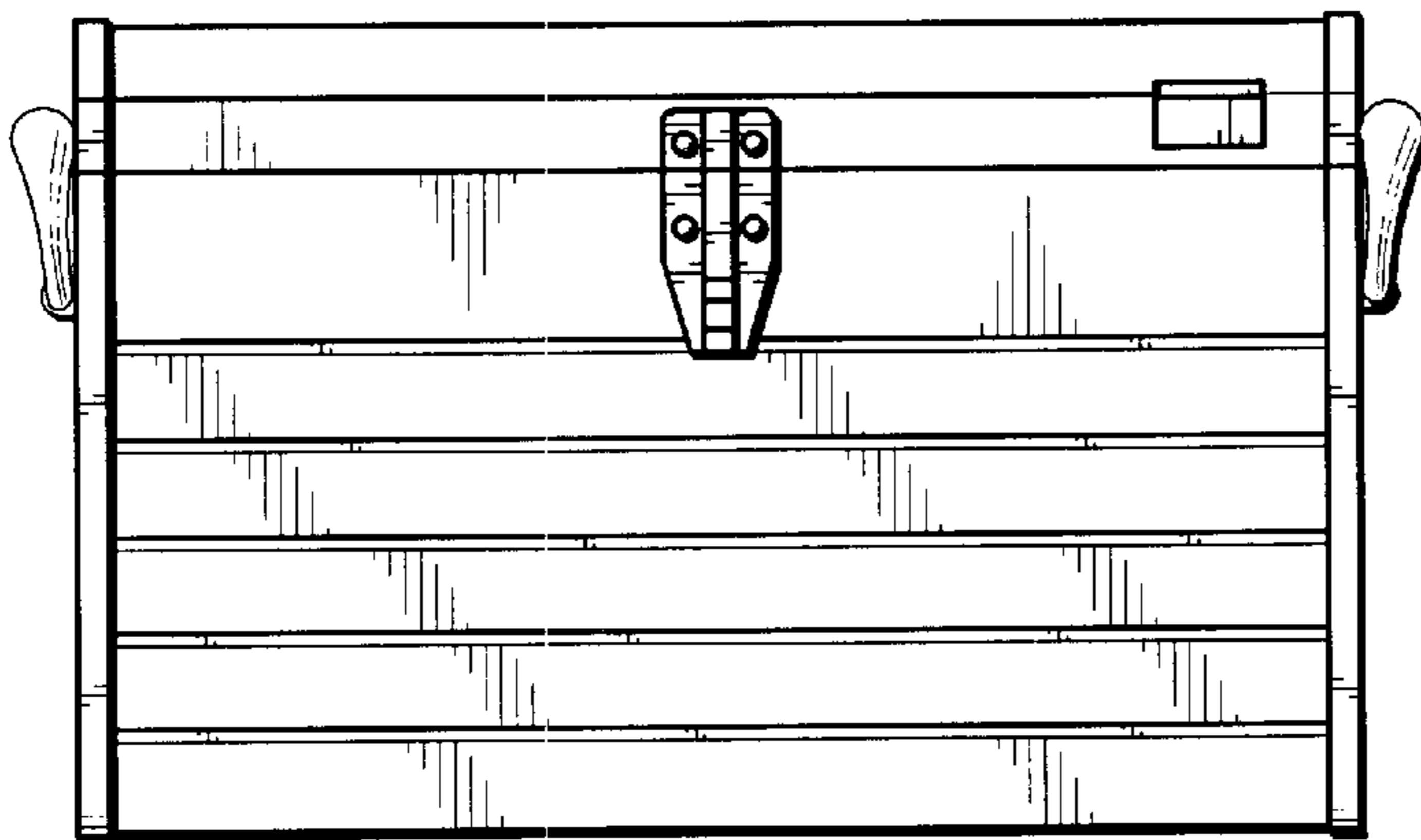


FIG. 14

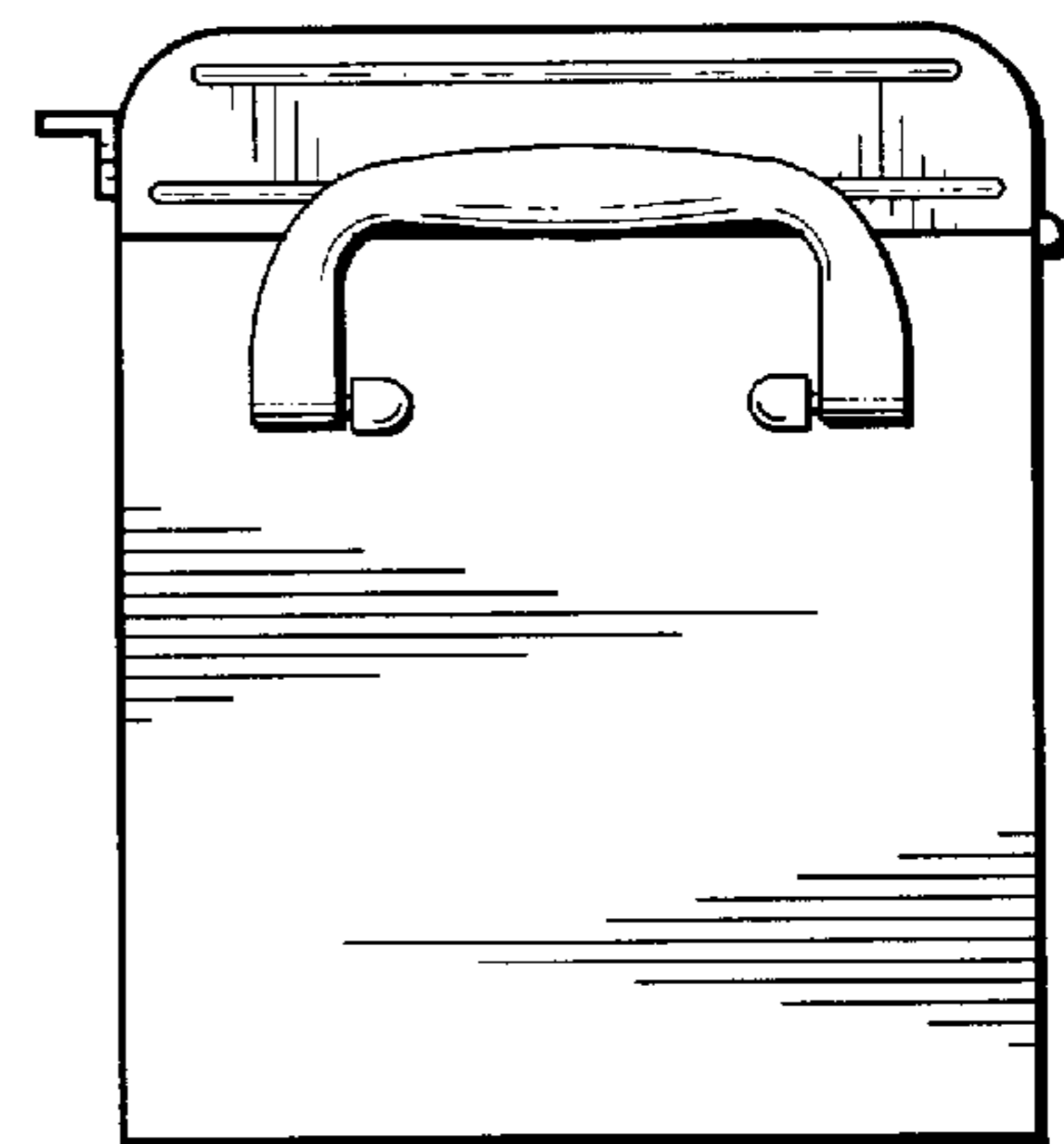


FIG. 15

FIG. 16

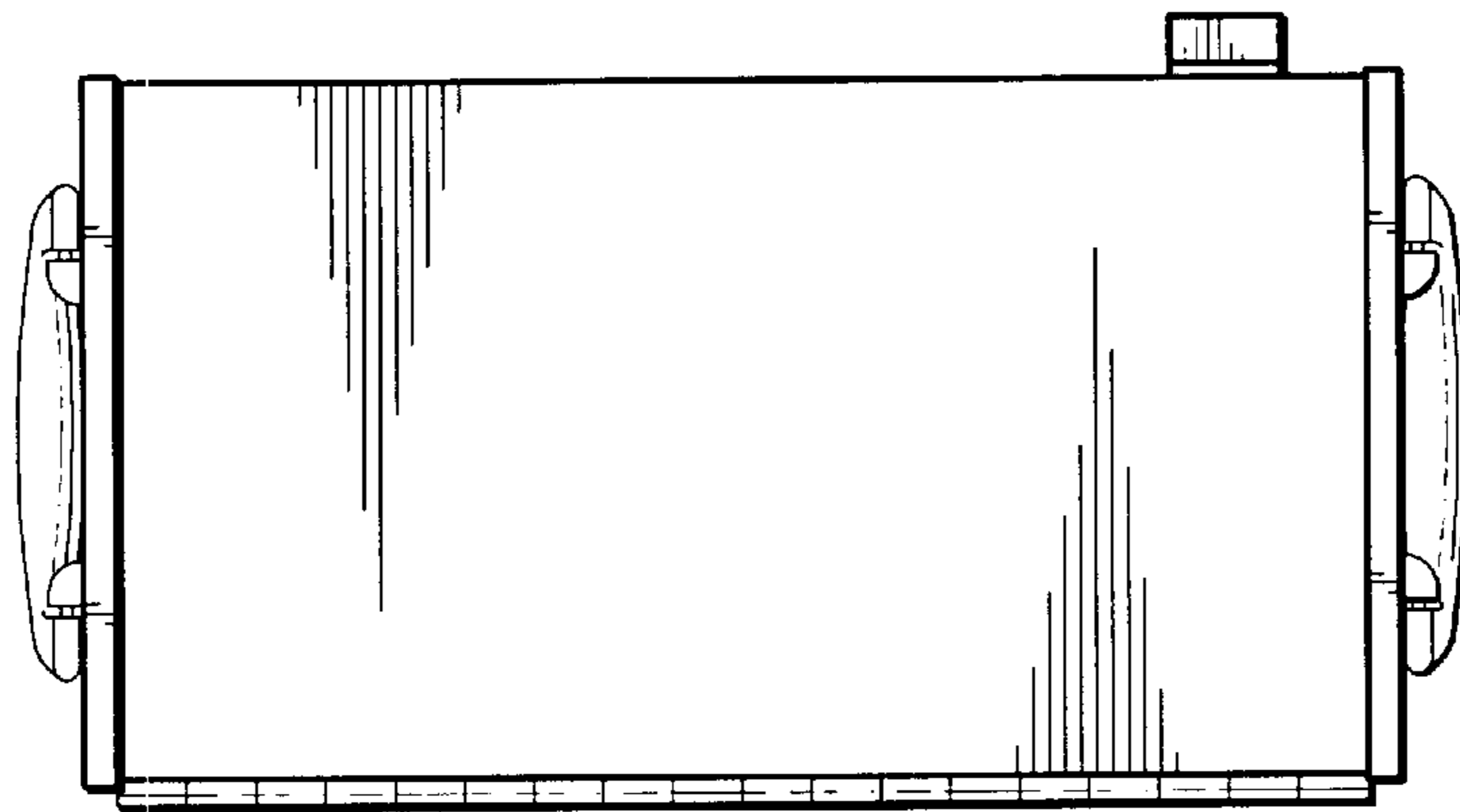
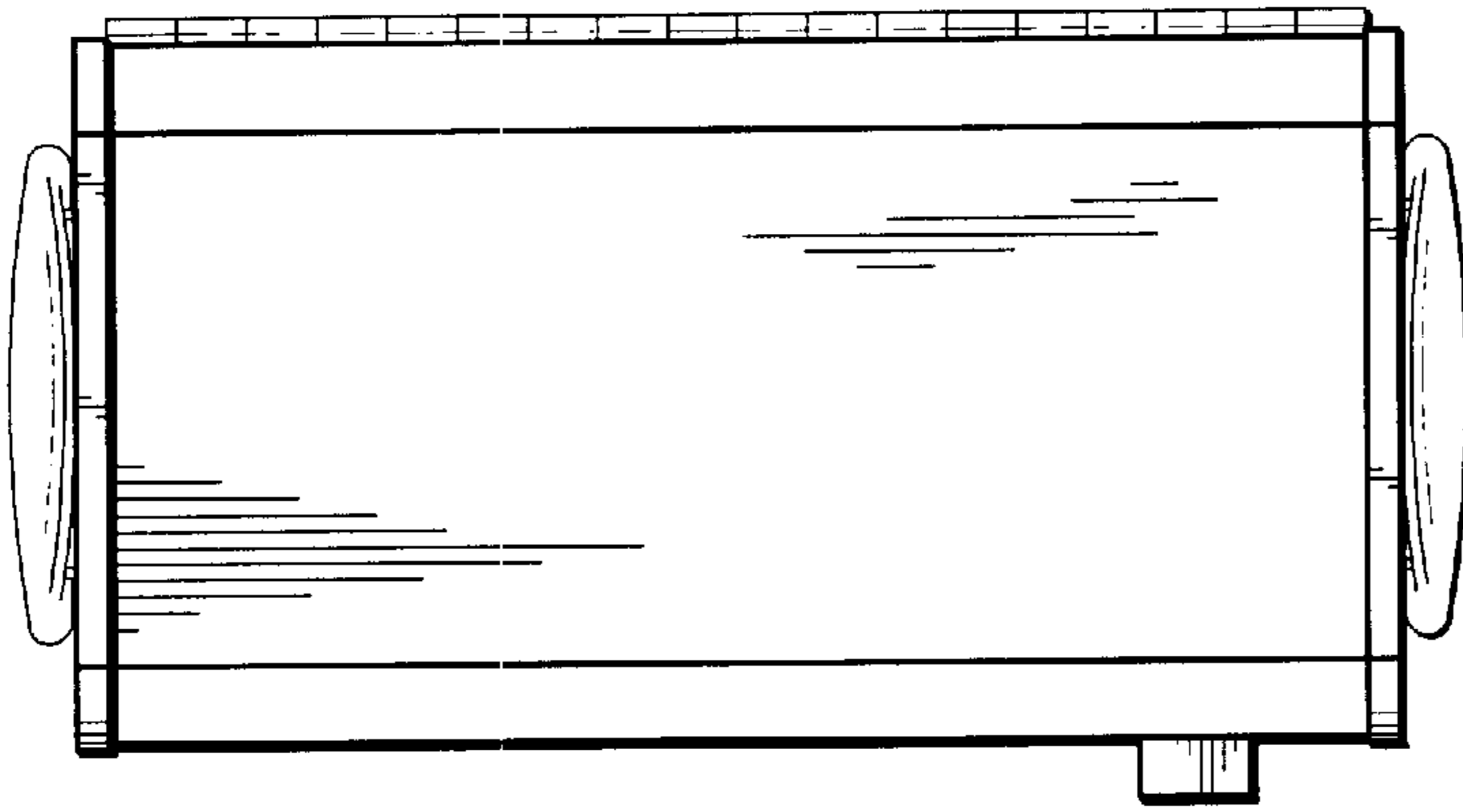


FIG. 17

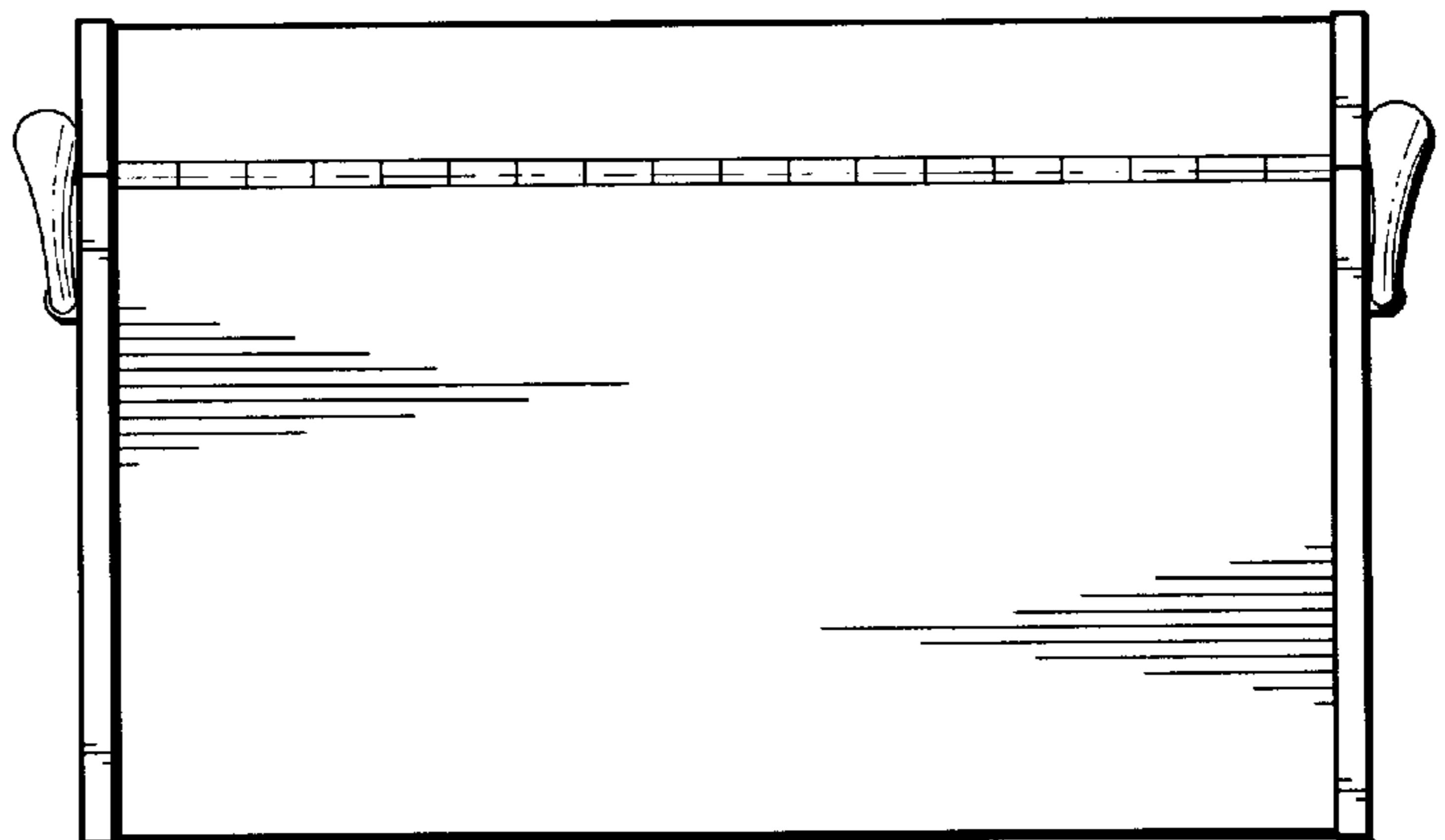


FIG. 18



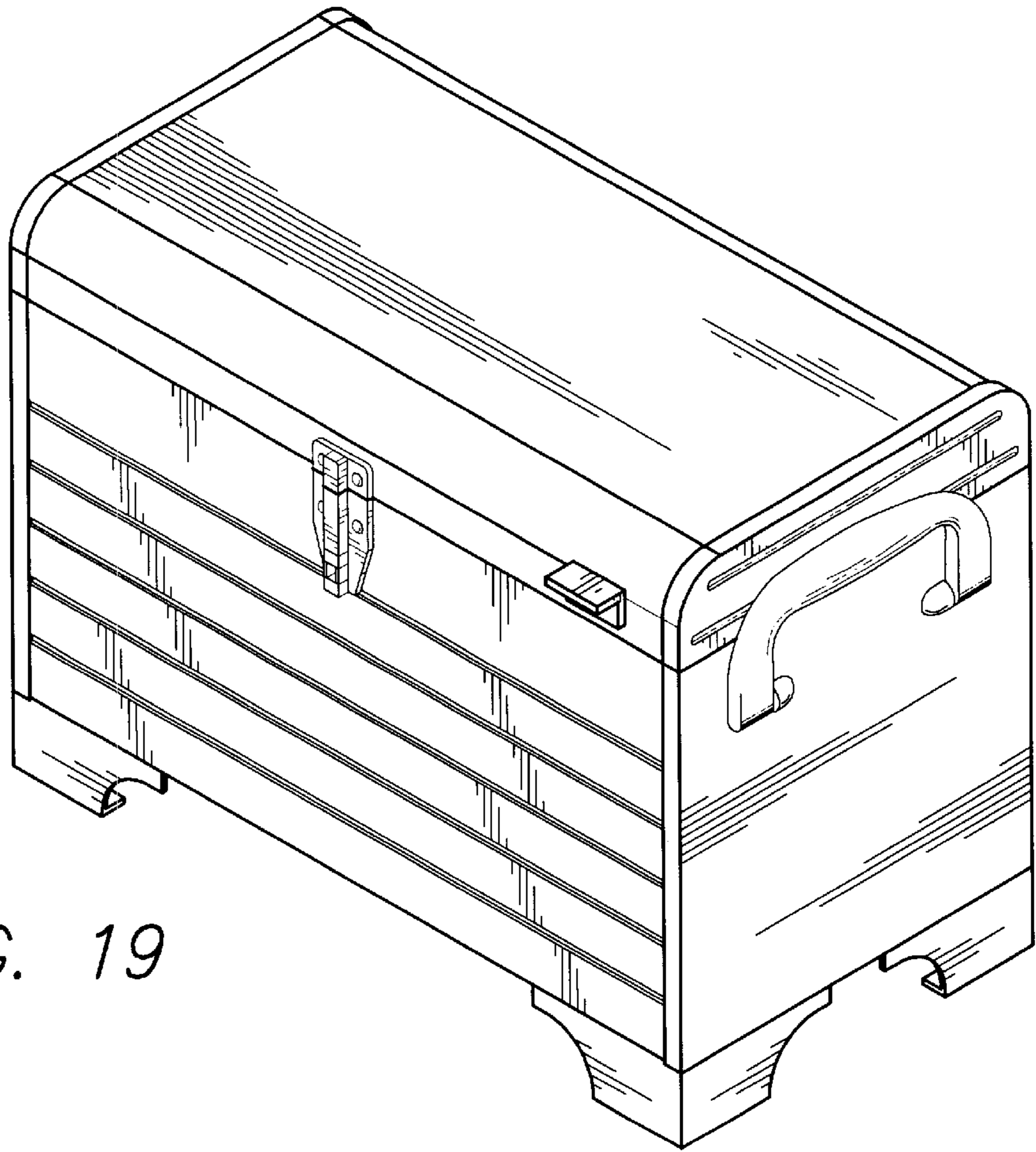


FIG. 19

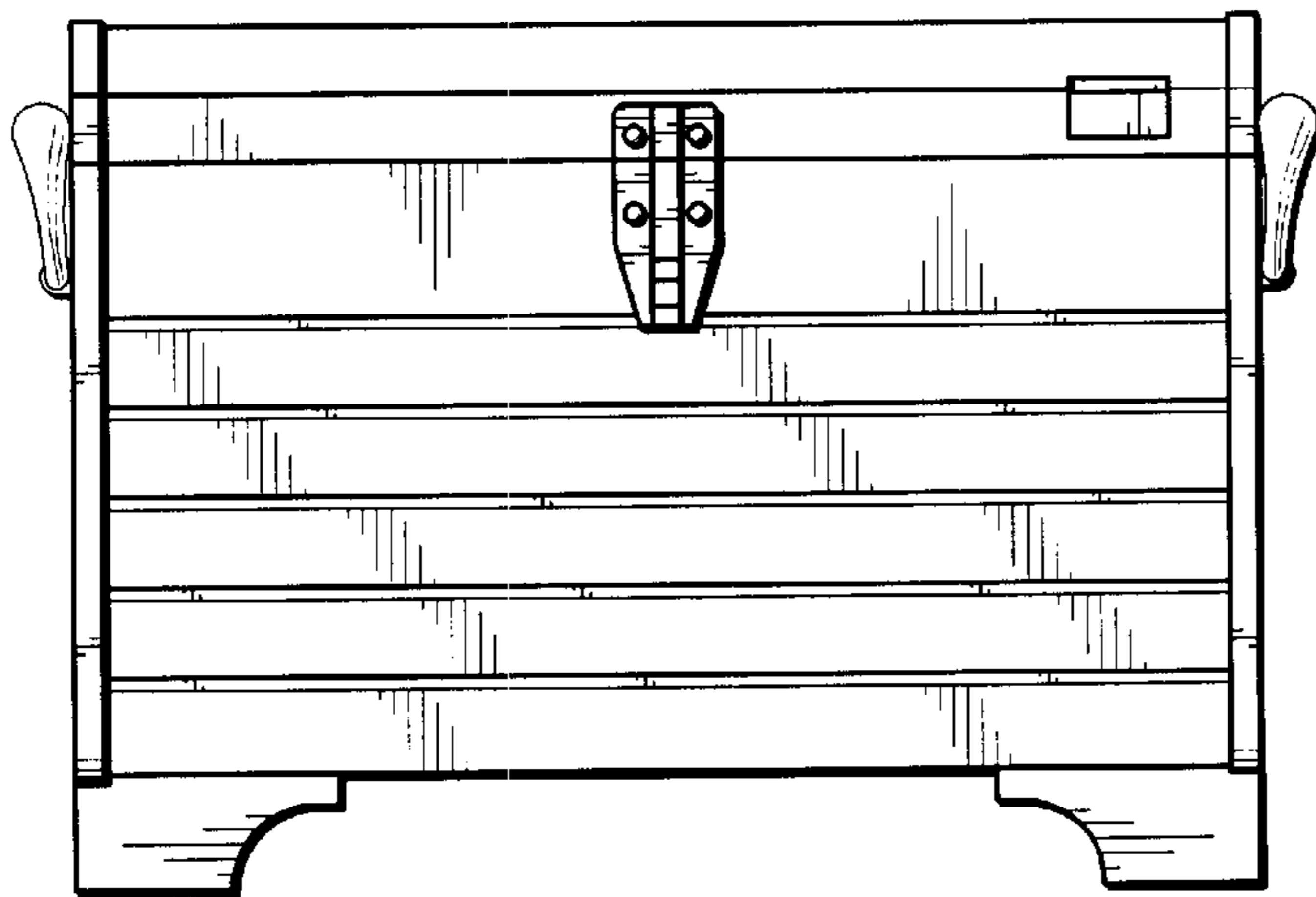


FIG. 20

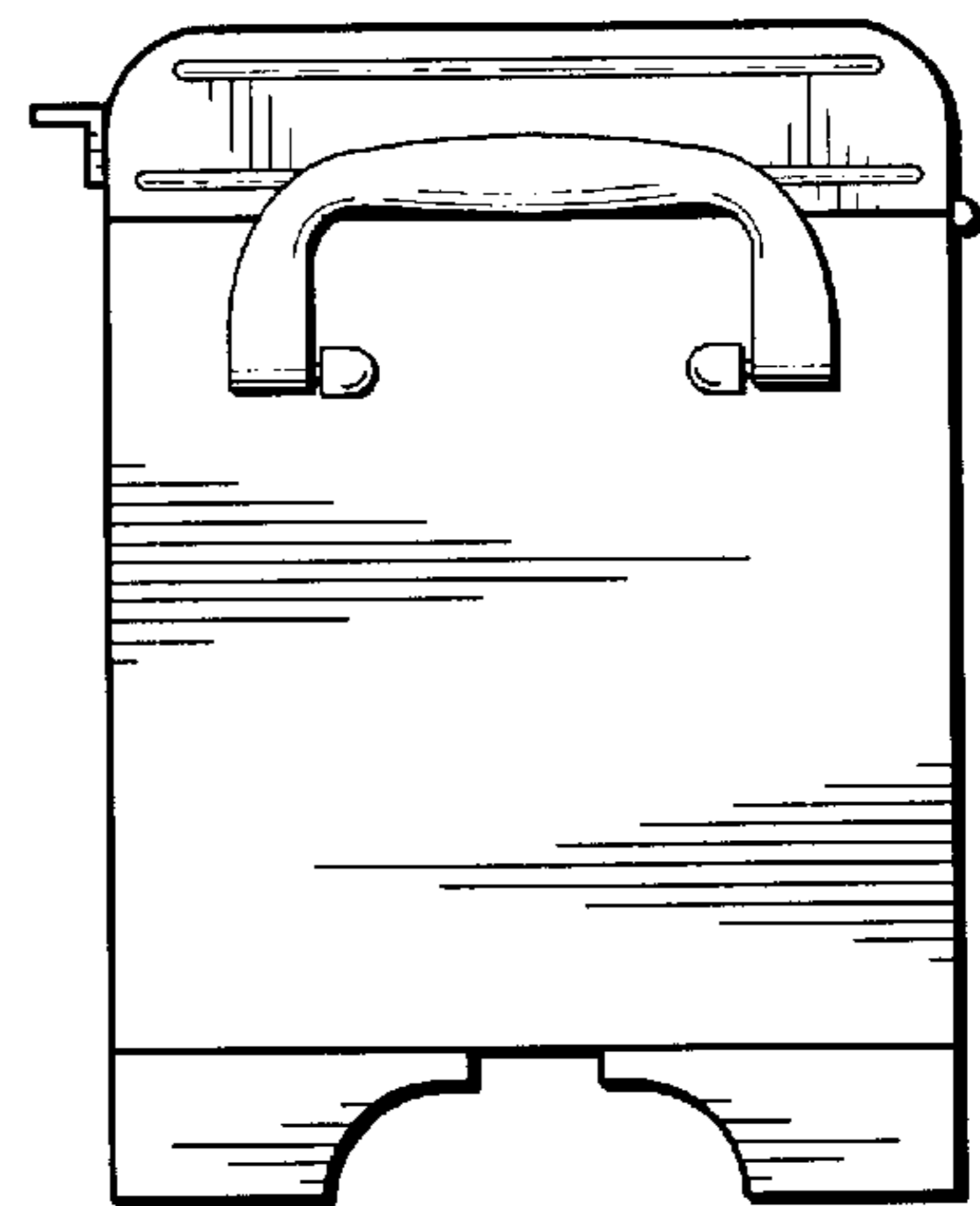


FIG. 21

FIG. 22

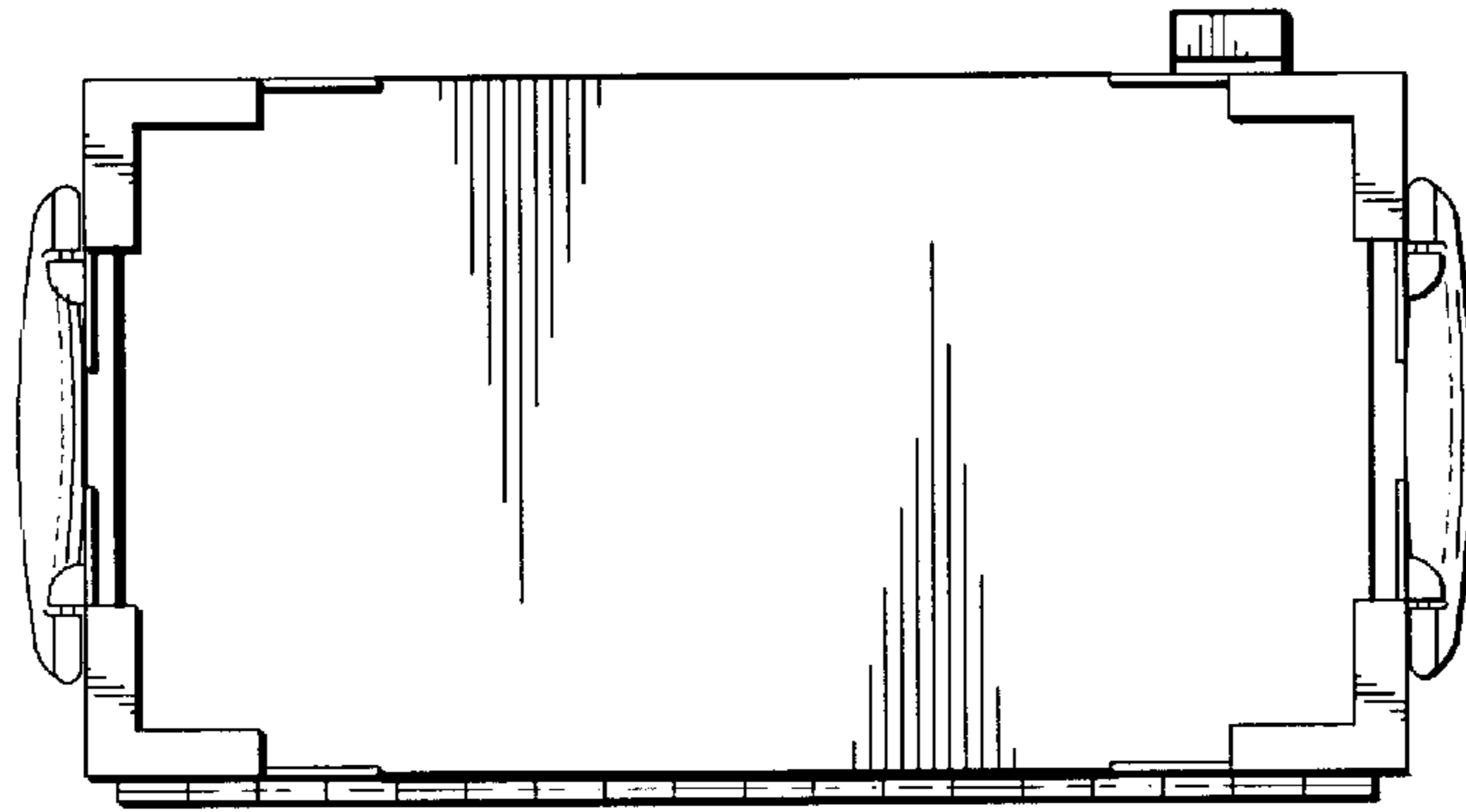
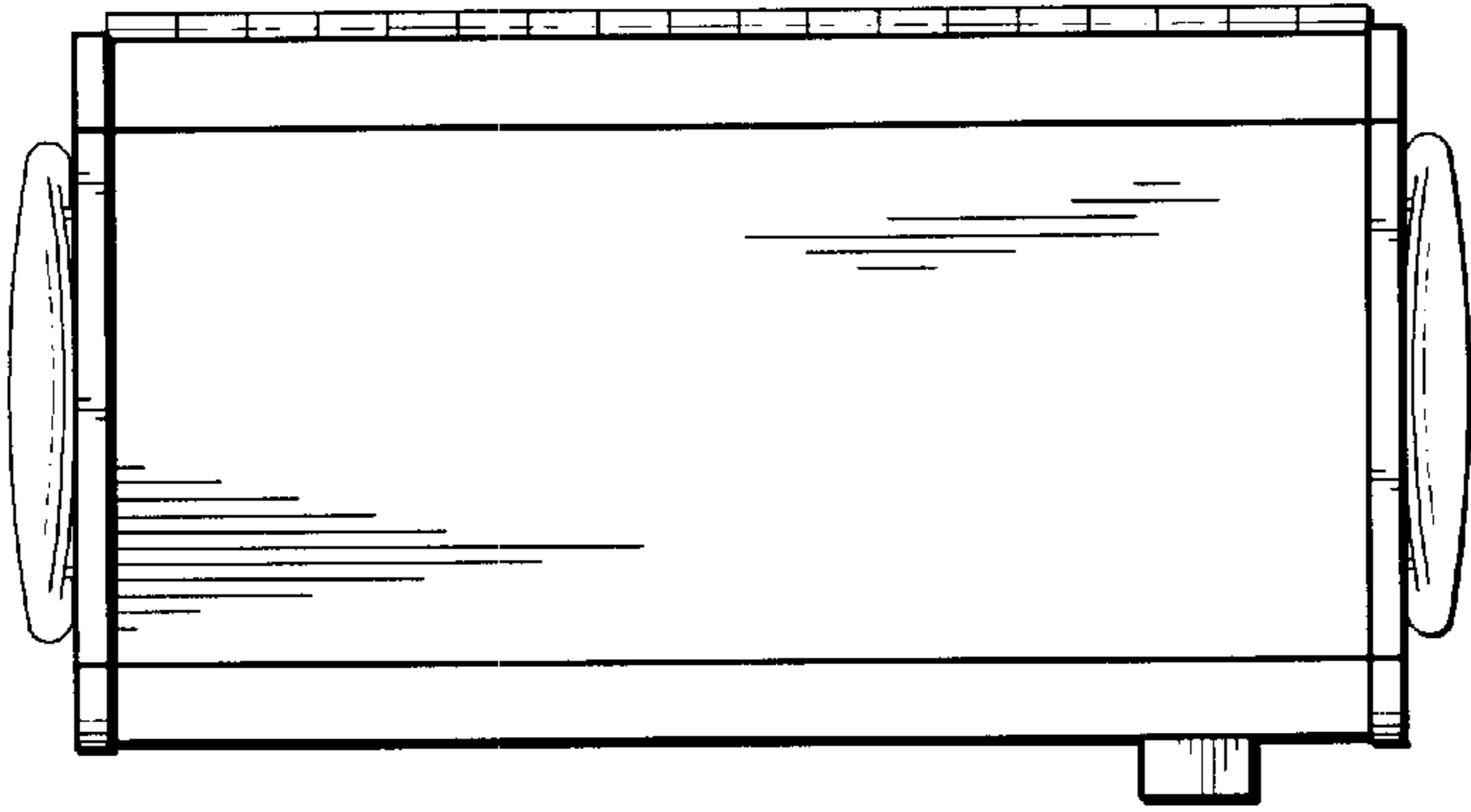


FIG. 23

FIG. 24

