



US00D475884S

(12) **United States Design Patent**  
**Holderfield et al.**

(10) **Patent No.:** **US D475,884 S**

(45) **Date of Patent:** **\*\* Jun. 17, 2003**

(54) **4-SLICE TOASTER**

(75) Inventors: **Gregory James Holderfield**, Chicago, IL (US); **Elliott Hsu**, Chicago, IL (US); **Augusto A. Picozza**, Boca Raton, FL (US)

(73) Assignee: **Sunbeam Products, Inc.**, Boca Raton, FL (US)

(\*\*) Term: **14 Years**

(21) Appl. No.: **29/171,088**

(22) Filed: **Nov. 14, 2002**

(51) **LOC (7) Cl.** ..... **07-02**

(52) **U.S. Cl.** ..... **D7/330**

(58) **Field of Search** ..... D7/328-330; 99/385-389, 99/400-402

(56) **References Cited**

**U.S. PATENT DOCUMENTS**

D338,368 S \* 8/1993 Naft et al. .... D7/330

D414,373 S \* 9/1999 Cruz ..... D7/330  
D423,865 S \* 5/2000 Gaynor et al. .... D7/330  
D428,759 S \* 8/2000 Hughes ..... D7/330  
D445,629 S \* 7/2001 Davis et al. .... D7/330

\* cited by examiner

*Primary Examiner*—Caron D. Veynar

(74) *Attorney, Agent, or Firm*—Lawrence J. Shurupoff

(57) **CLAIM**

The ornamental design for a 4-slice toaster, as shown and described.

**DESCRIPTION**

FIG. 1 is a top front right perspective view of the toaster showing the new design;  
FIG. 2 is a left side elevation view thereof and being the same as the right side elevation view thereof;  
FIG. 3 is a front elevation view thereof;  
FIG. 4 is a top plan view thereof;  
FIG. 5 is a rear elevation view thereof; and,  
FIG. 6; is a bottom plan view thereof.

**1 Claim, 3 Drawing Sheets**

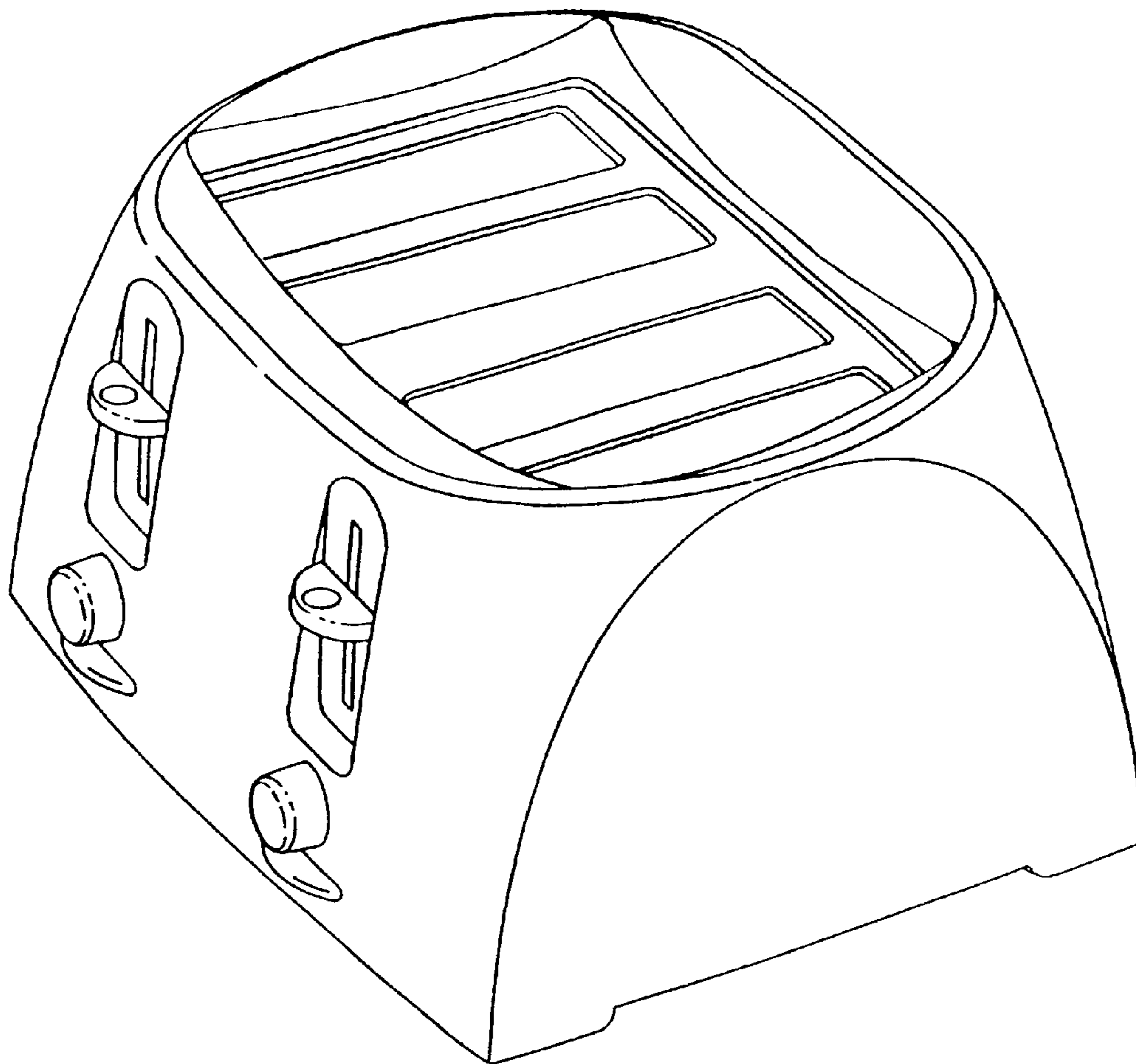


FIG 1

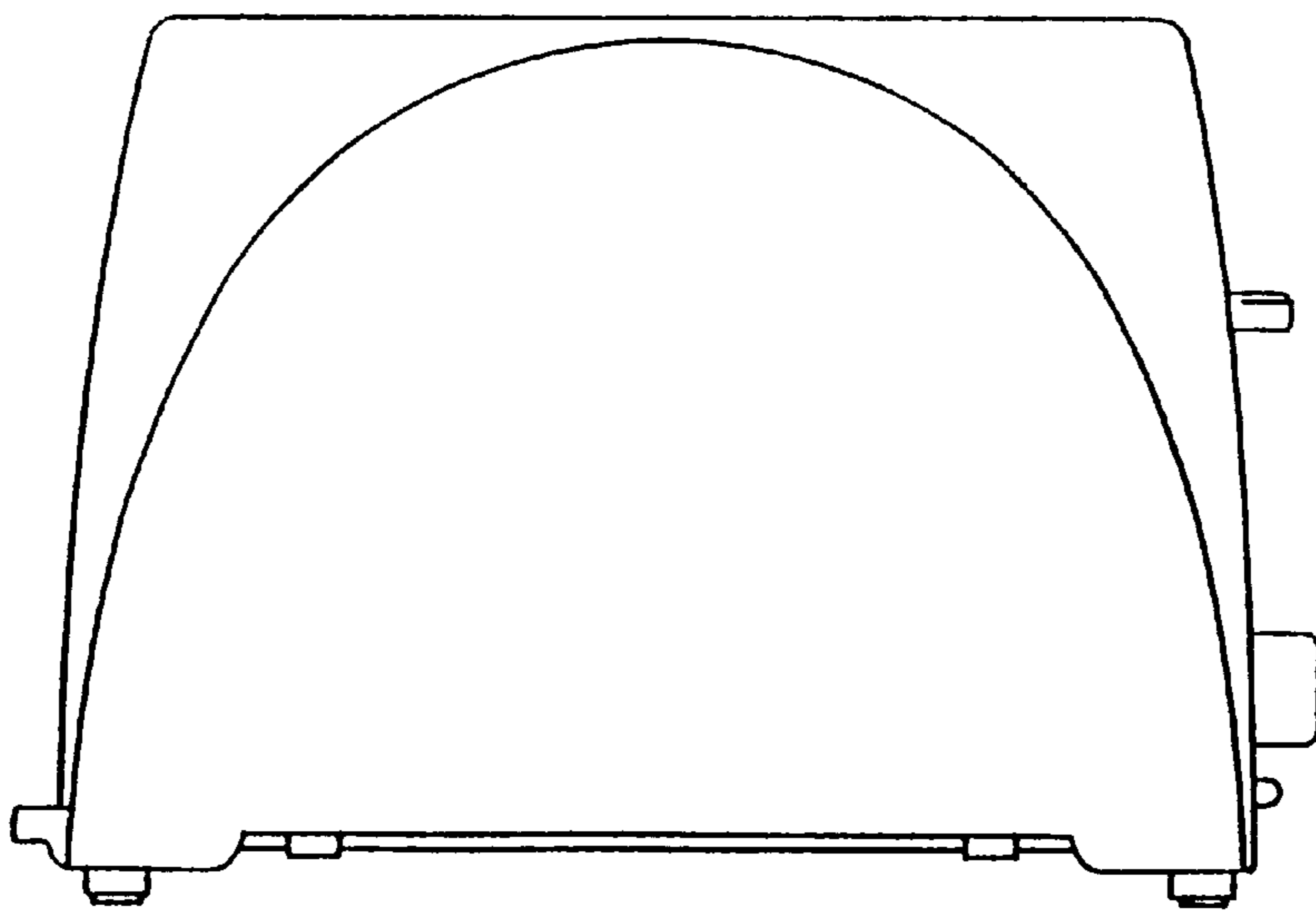
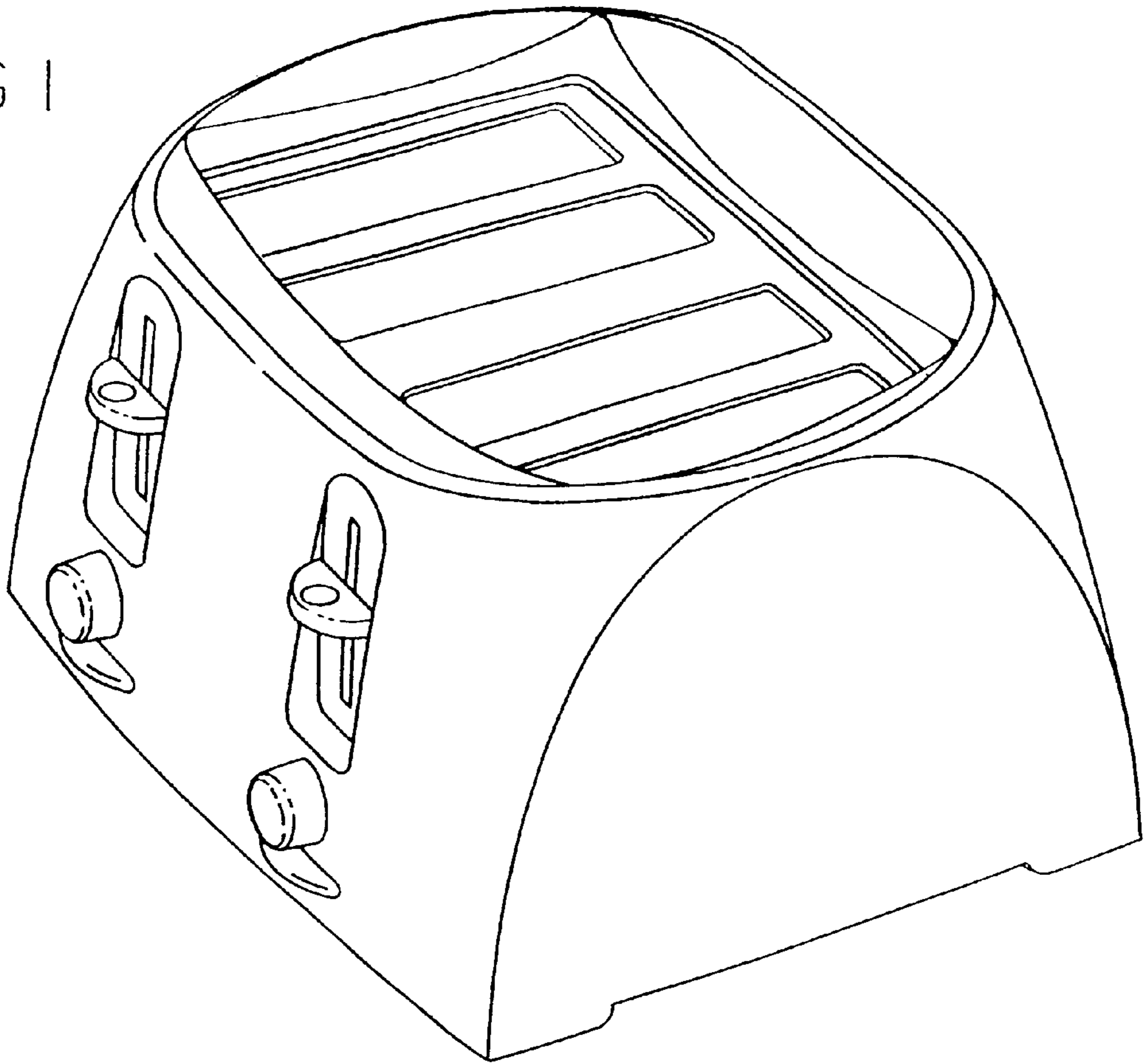


FIG 2

FIG 3

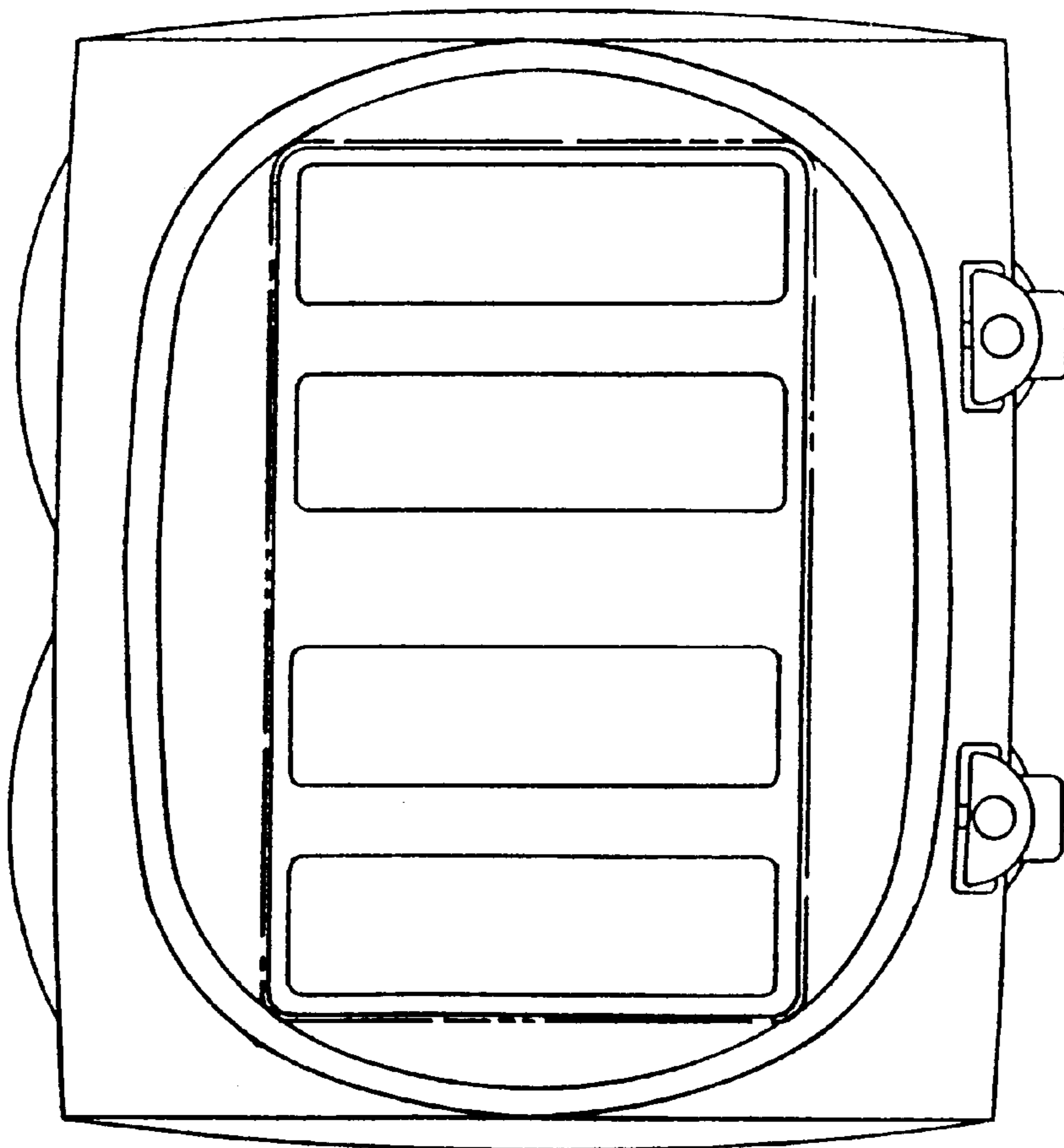
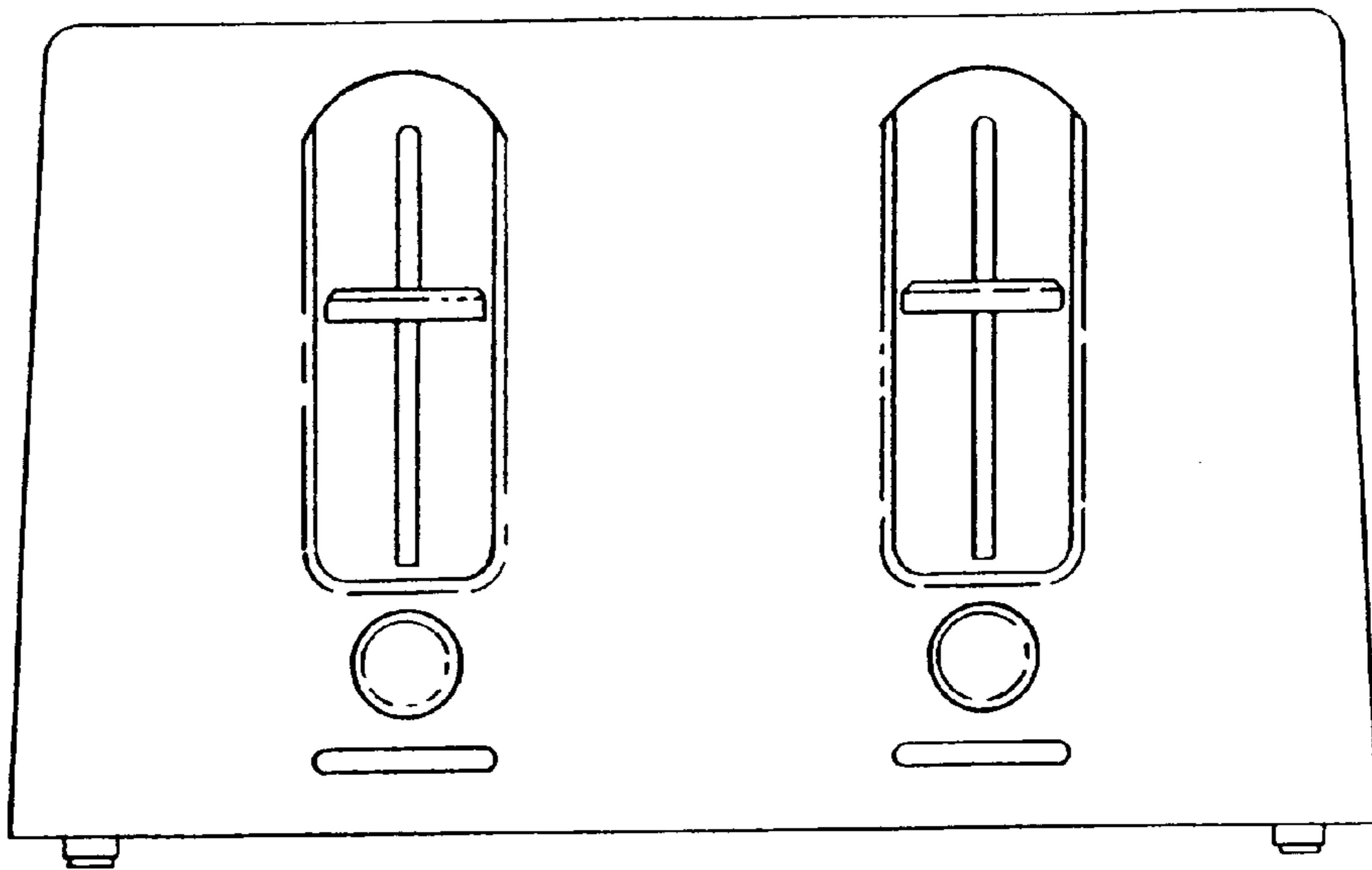


FIG 4

FIG 5

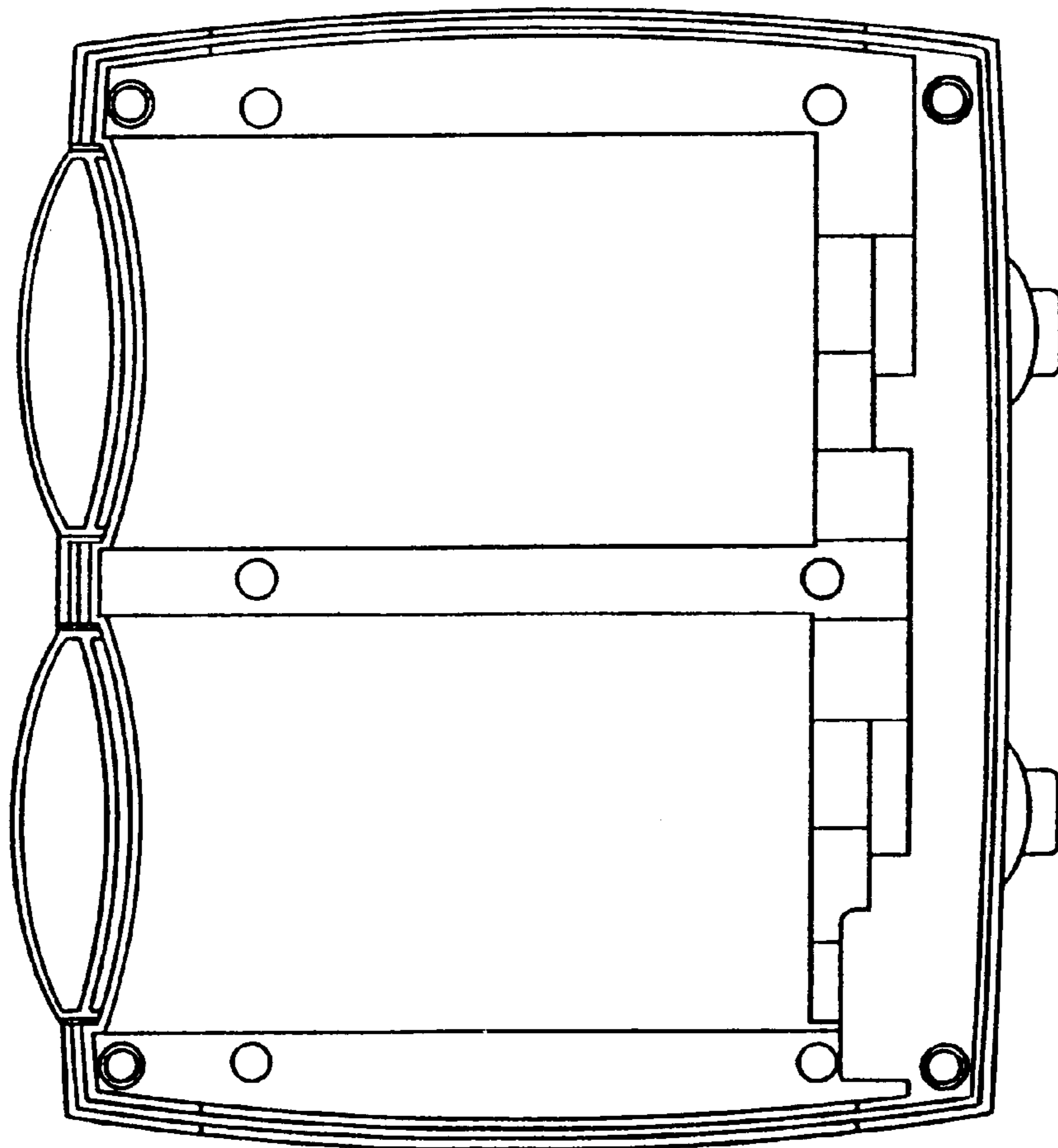
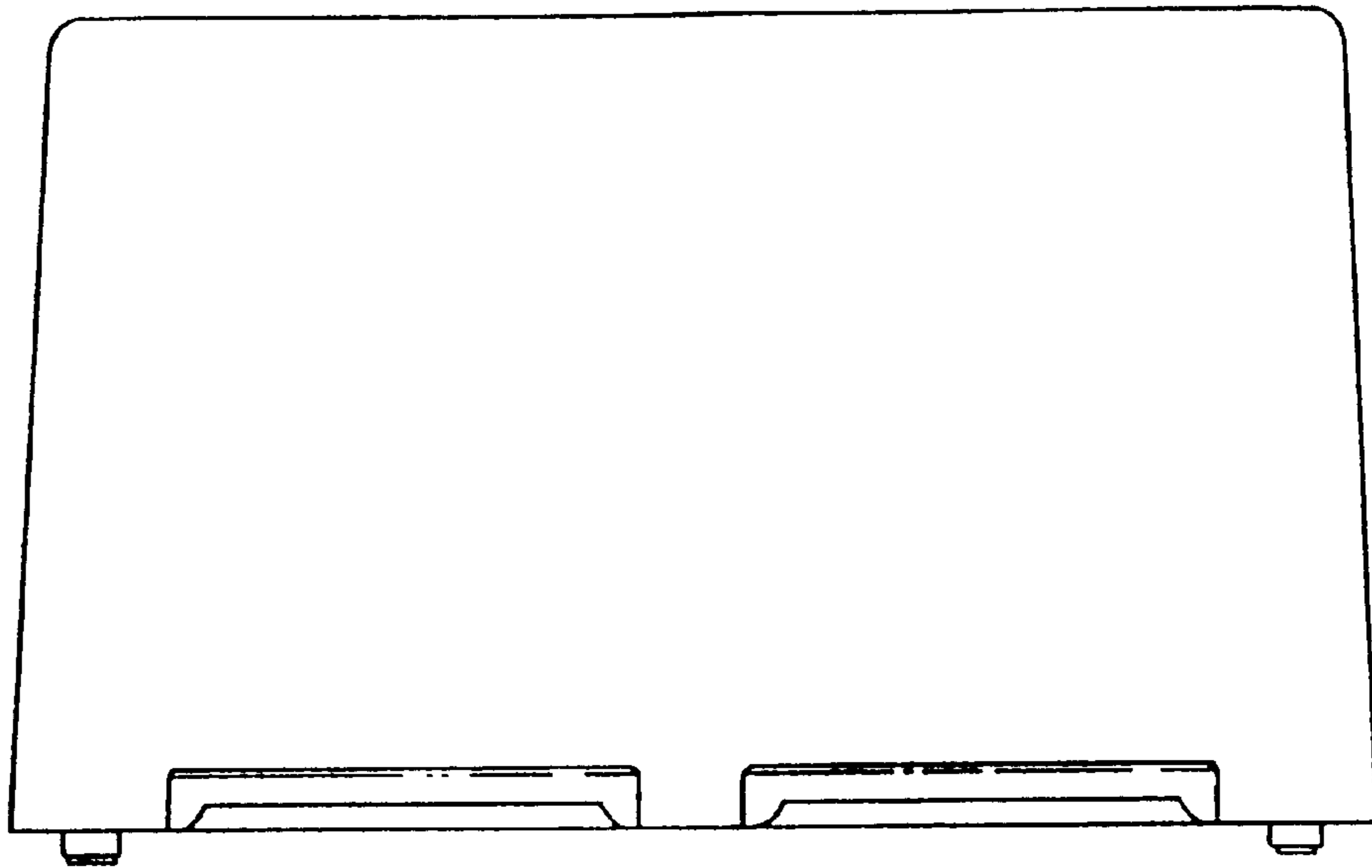


FIG 6