



US00D475879S

(12) **United States Design Patent**
Thomas

(10) **Patent No.:** **US D475,879 S**

(45) **Date of Patent:** **** Jun. 17, 2003**

(54) **DISPLAY RACK FOR SPORTSBALLS**

(76) **Inventor:** **Paul W. Thomas**, 26800 Grey Pl.,
Stevenson Ranch, CA (US) 91381

(**) **Term:** **14 Years**

(21) **Appl. No.:** **29/160,876**

(22) **Filed:** **May 20, 2002**

(51) **LOC (7) Cl.** **08-08**

(52) **U.S. Cl.** **D6/552**

(58) **Field of Search** D6/552, 553, 567,
D6/569, 572; 206/315.9, 315.91, 557; 211/13.1,
14, 68, 69, 69.5, 70.2, 70.6, 71.01, 75,
86.01, 87.01, 88.01, 88.03, 90.01, 134;
248/309.1, 311.2, 314

(56) **References Cited**

U.S. PATENT DOCUMENTS

D171,567 S * 2/1954 Zarzana et al. D6/569
D248,809 S * 8/1978 Kailey D6/552

D277,149 S * 1/1985 Hind D6/574
D406,715 S * 3/1999 Badillo D6/567
D421,865 S * 3/2000 Chen D6/552

* cited by examiner

Primary Examiner—Brian N. Vinson
(74) *Attorney, Agent, or Firm*—Allan M. Shapiro

(57) **CLAIM**

The ornamental design for a display rack for sportsballs, as shown and described.

DESCRIPTION

FIG. 1 is a perspective view from the front, top and right side of a display rack for sportsballs, showing my new design; FIG. 2 is an elevational view from the right side thereof; the left side, not shown, is the mirror image; FIG. 3 is a front elevational view thereof; FIG. 4 is a rear elevational view thereof; and, FIG. 5 is a bottom plan view thereof.

1 Claim, 1 Drawing Sheet

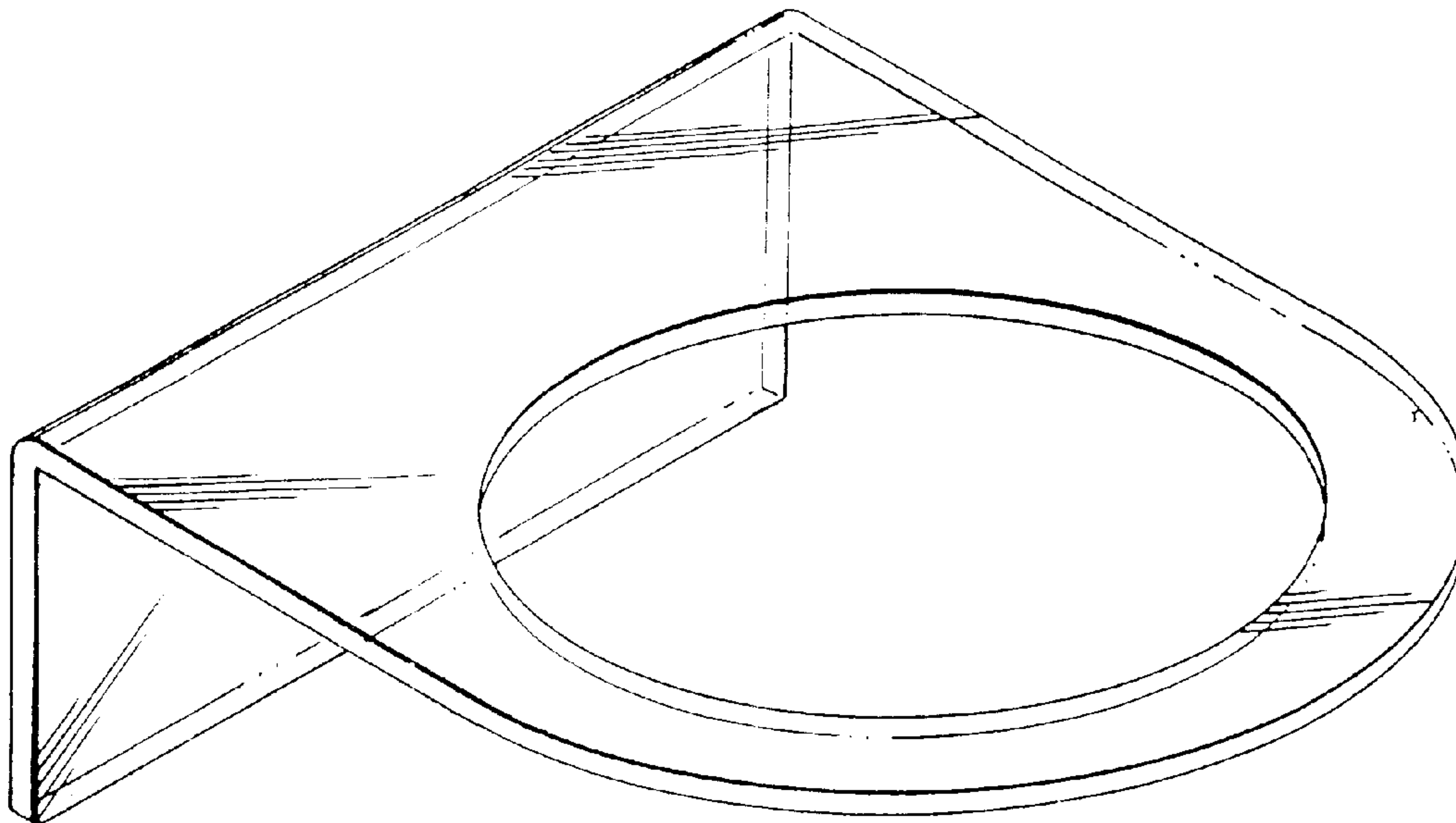


FIG. 1

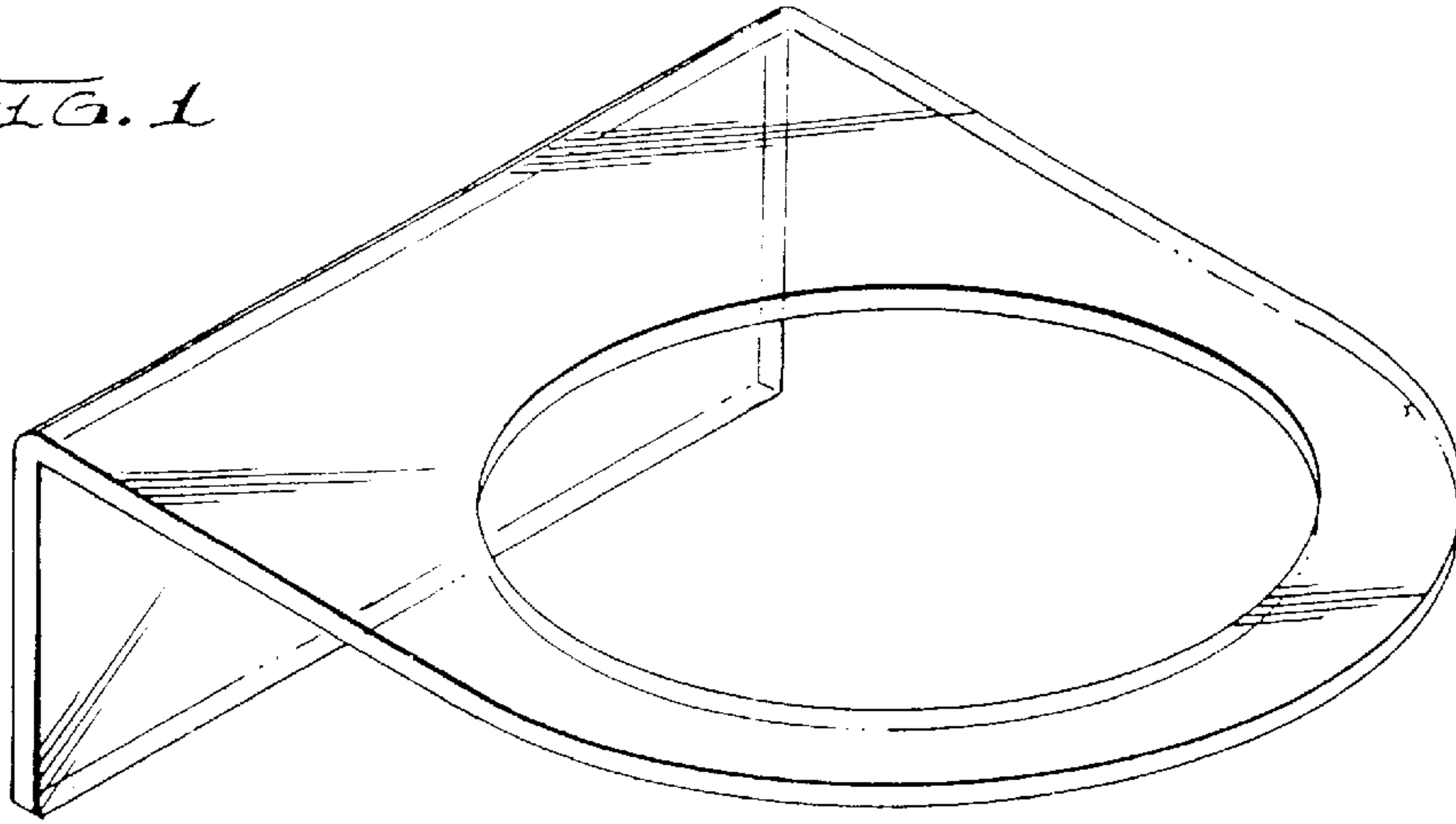


FIG. 2

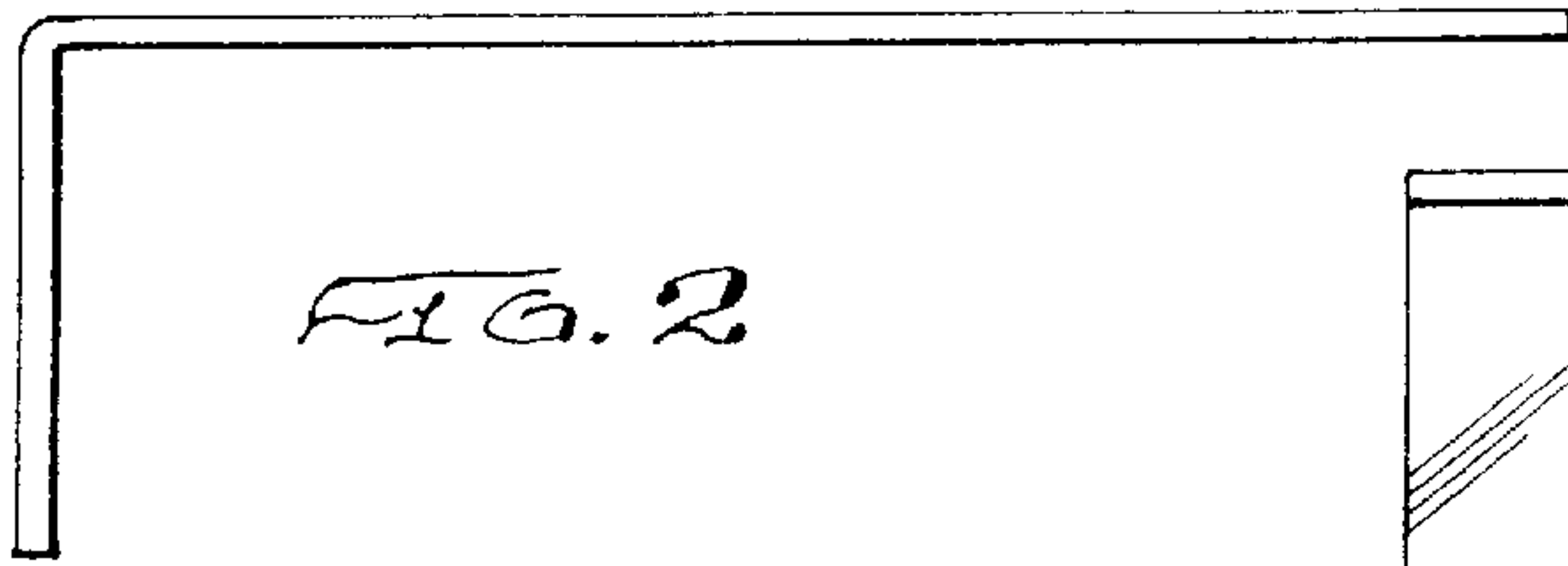


FIG. 3

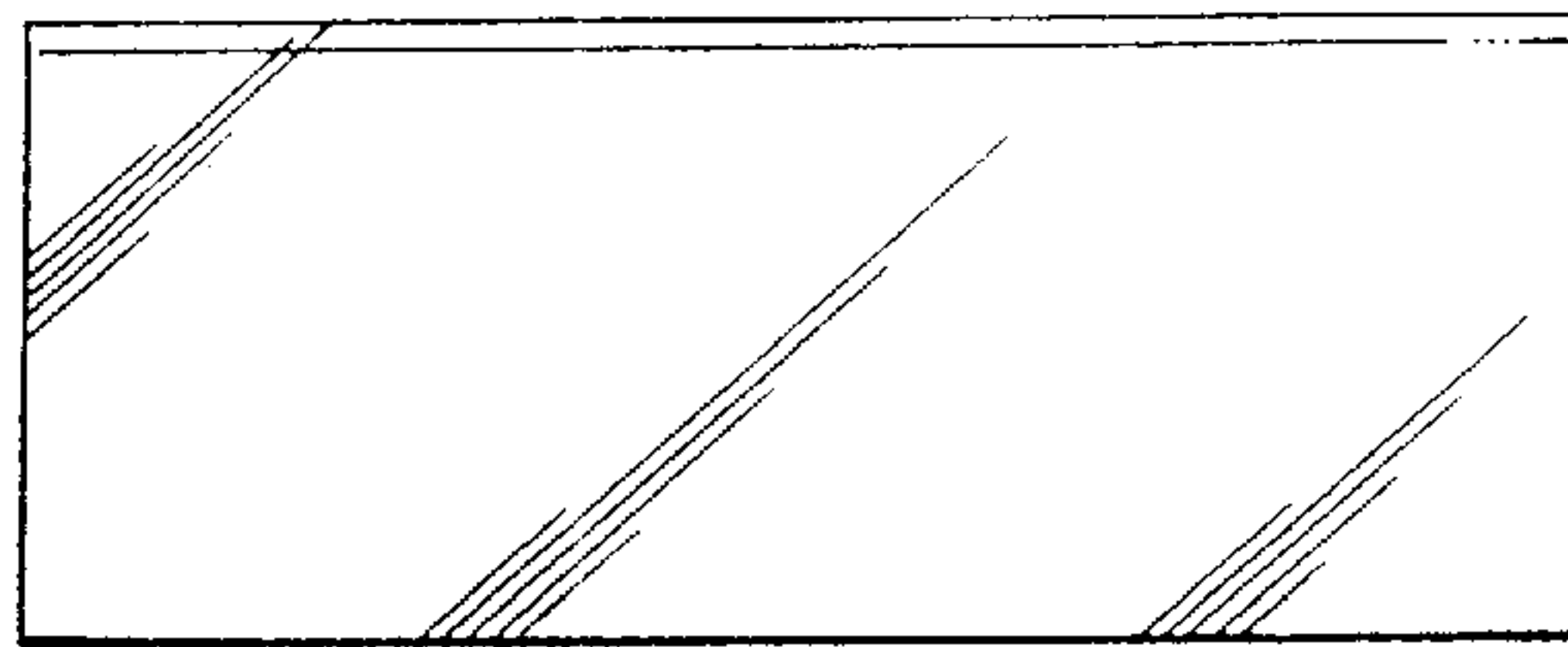
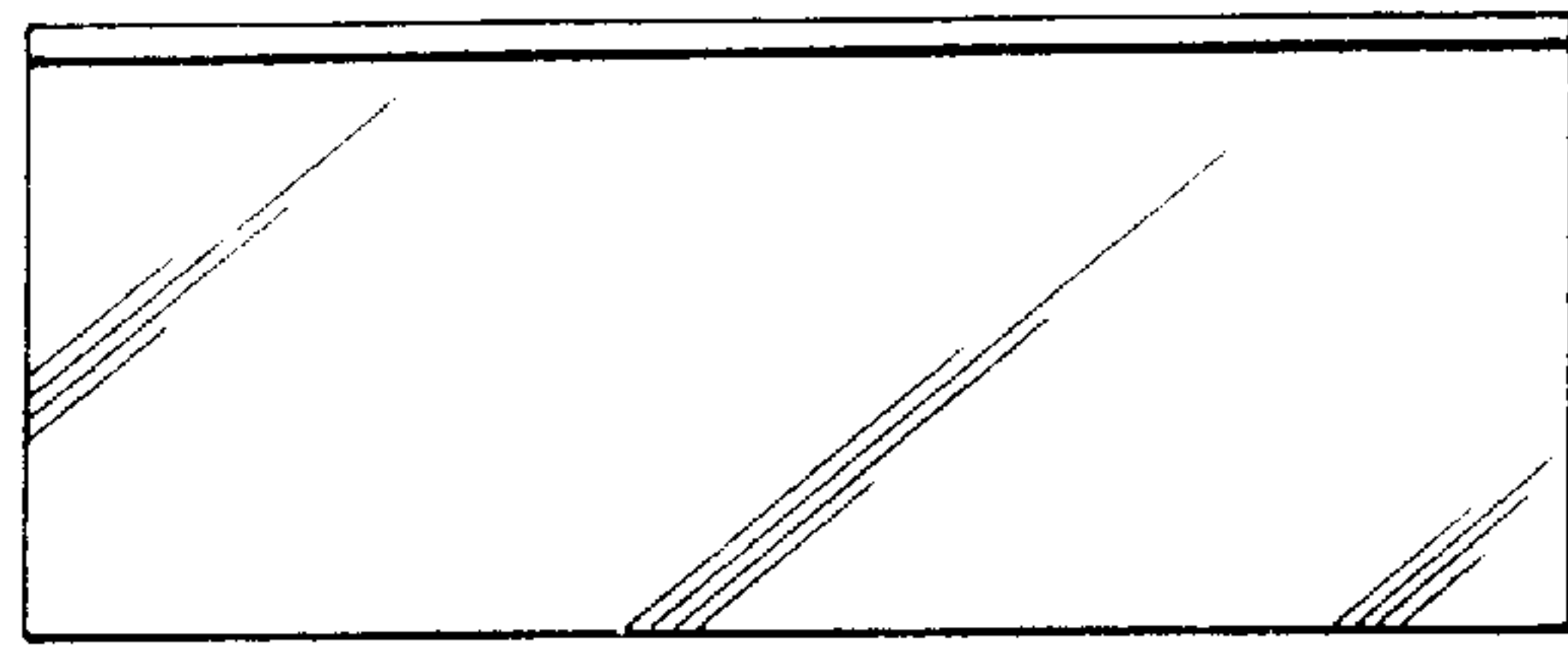


FIG. 4

FIG. 5

