



US00D475875S

(12) **United States Design Patent** (10) **Patent No.:** **US D475,875 S**
Rhoades (45) **Date of Patent:** **** Jun. 17, 2003**

(54) **HANDLE FOR SOAP**

(76) Inventor: **Dean L. Rhoades**, 9041 Olin St., Los Angeles, CA (US) 90034

(**) Term: **14 Years**

(21) Appl. No.: **29/170,517**

(22) Filed: **Nov. 6, 2002**

(51) **LOC (7) Cl.** **23-02**

(52) **U.S. Cl.** **D6/538**

(58) **Field of Search** D6/536-540; D8/300, D8/307, 311; 206/77.1; 211/13.1, 14, DIG. 1; 248/309.4, 309.3

(56) **References Cited**

U.S. PATENT DOCUMENTS

3,289,990 A	*	12/1966	Grantham	248/309.4
3,608,853 A	*	9/1971	Sertich	248/309.3
D253,149 S	*	10/1979	Heckler	D6/538
D375,219 S	*	11/1996	Selent	D6/538

* cited by examiner

Primary Examiner—Brian N. Vinson

(74) *Attorney, Agent, or Firm*—Blakely, Sokoloff, Taylor & Zafman

(57) **CLAIM**

The ornamental design for a handle for soap, as shown and described.

DESCRIPTION

FIG. 1 is a front perspective view an embodiment of the design. The rear perspective view is a mirror image of the front perspective view.

FIG. 2 is a right side elevational view thereof. The left side elevational view is a mirror image of the right side elevational view.

FIG. 3 is a top plan view thereof; and,

FIG. 4 is a front elevational view of an embodiment of the design. The rear elevational view is a mirror image of the front elevational view.

The broken-line disclosure of the soap bar in the views is for illustrative purposes only and forms no part of the claimed design.

1 Claim, 2 Drawing Sheets

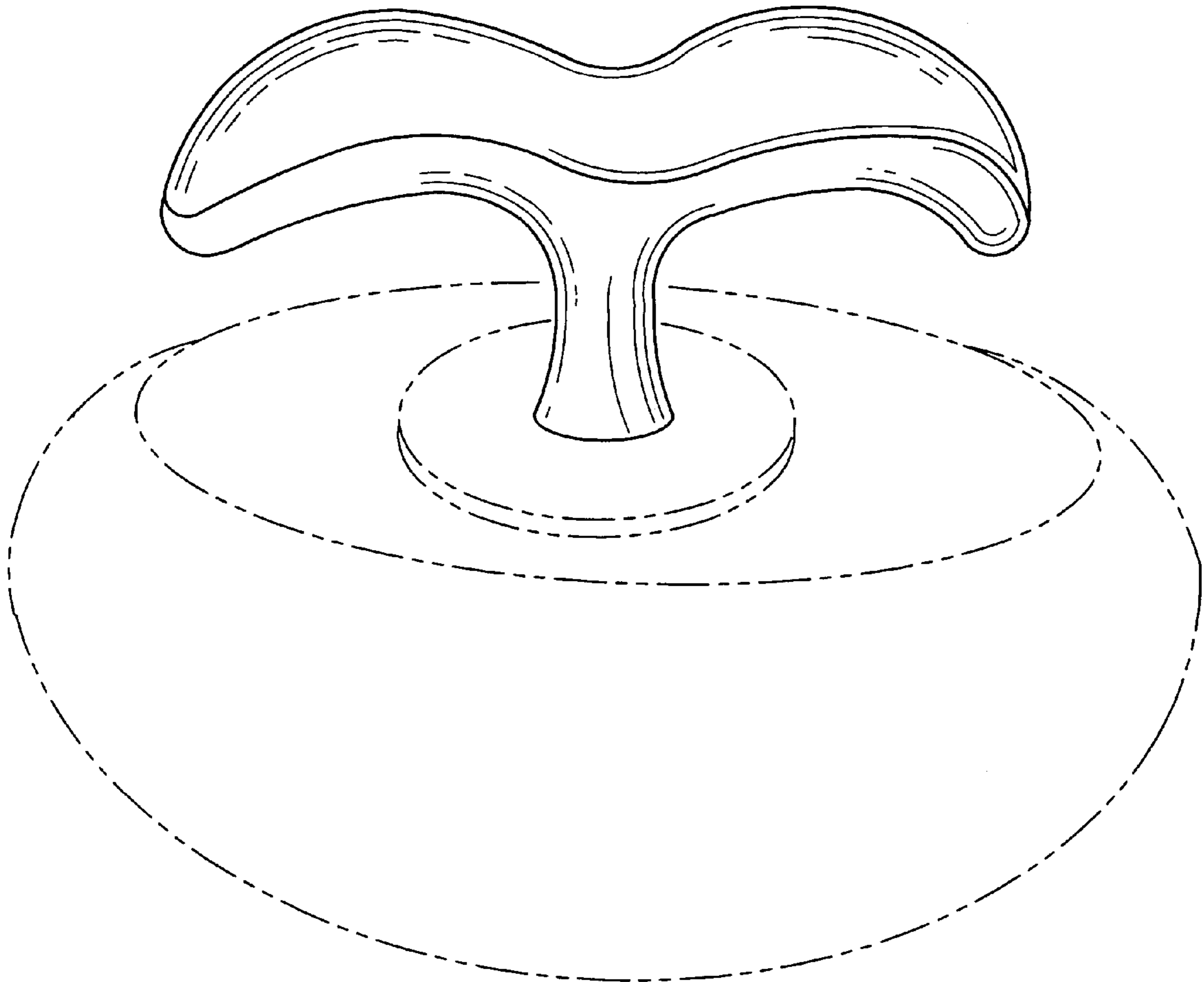


FIG. 1

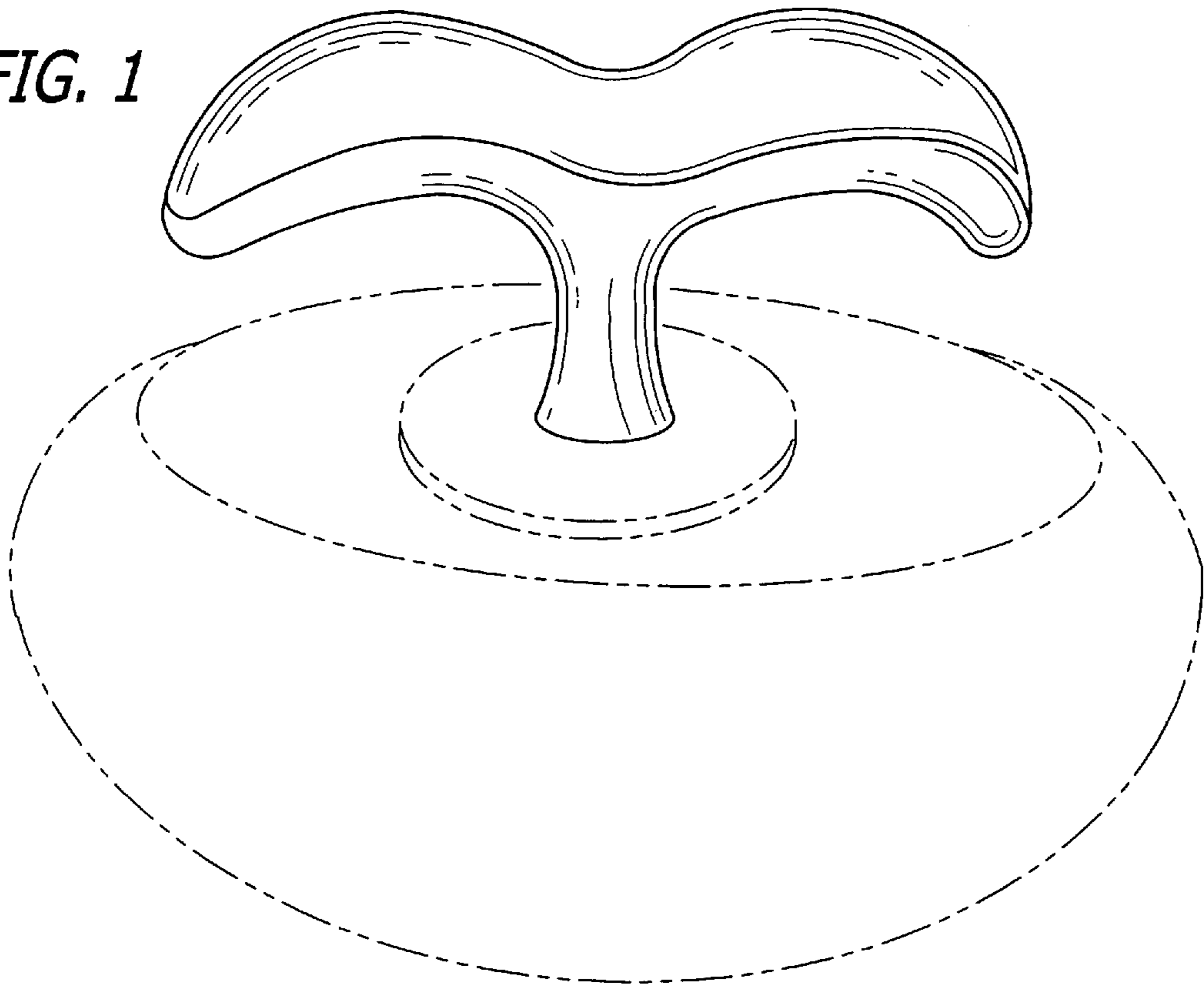
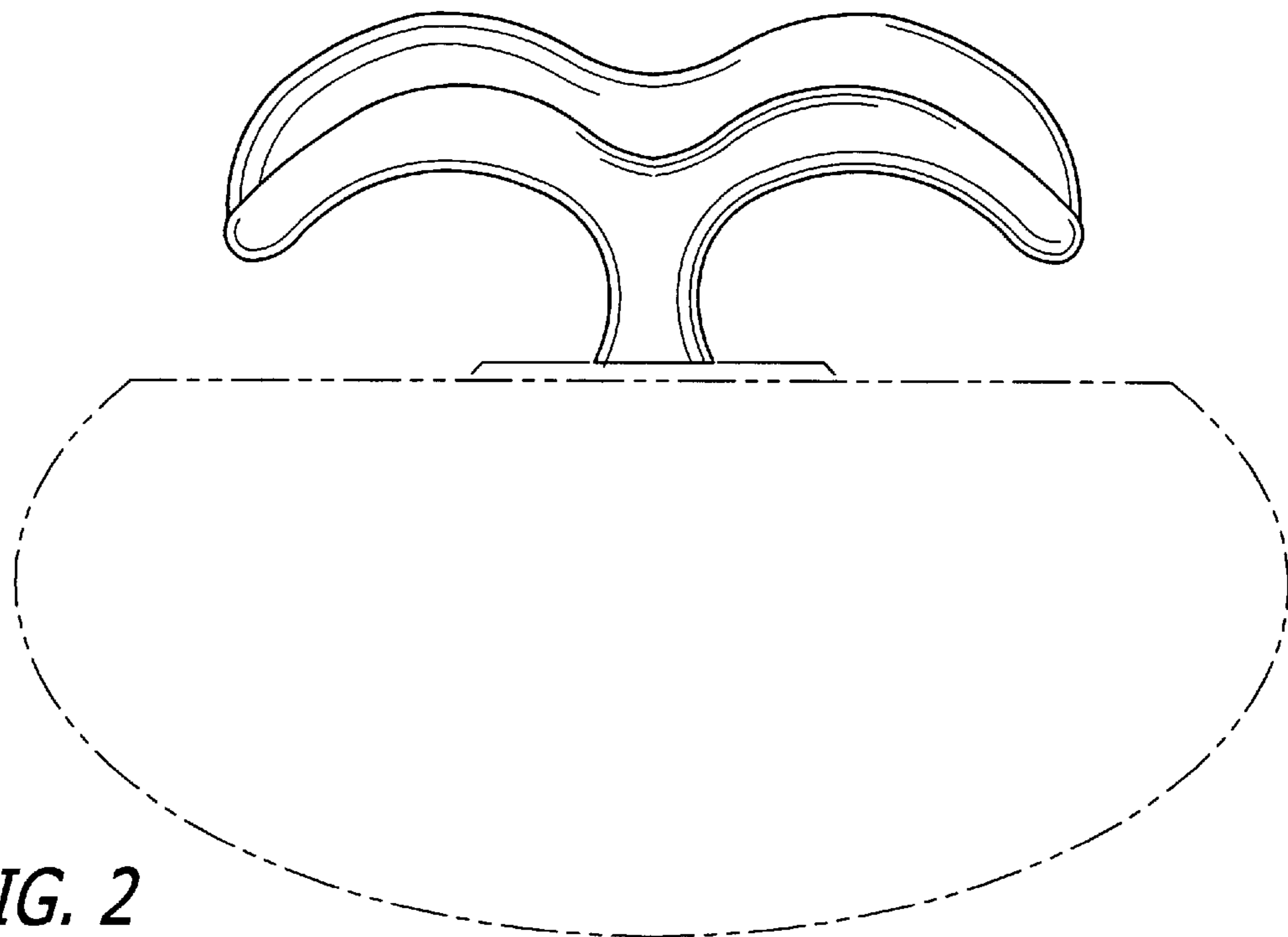


FIG. 2



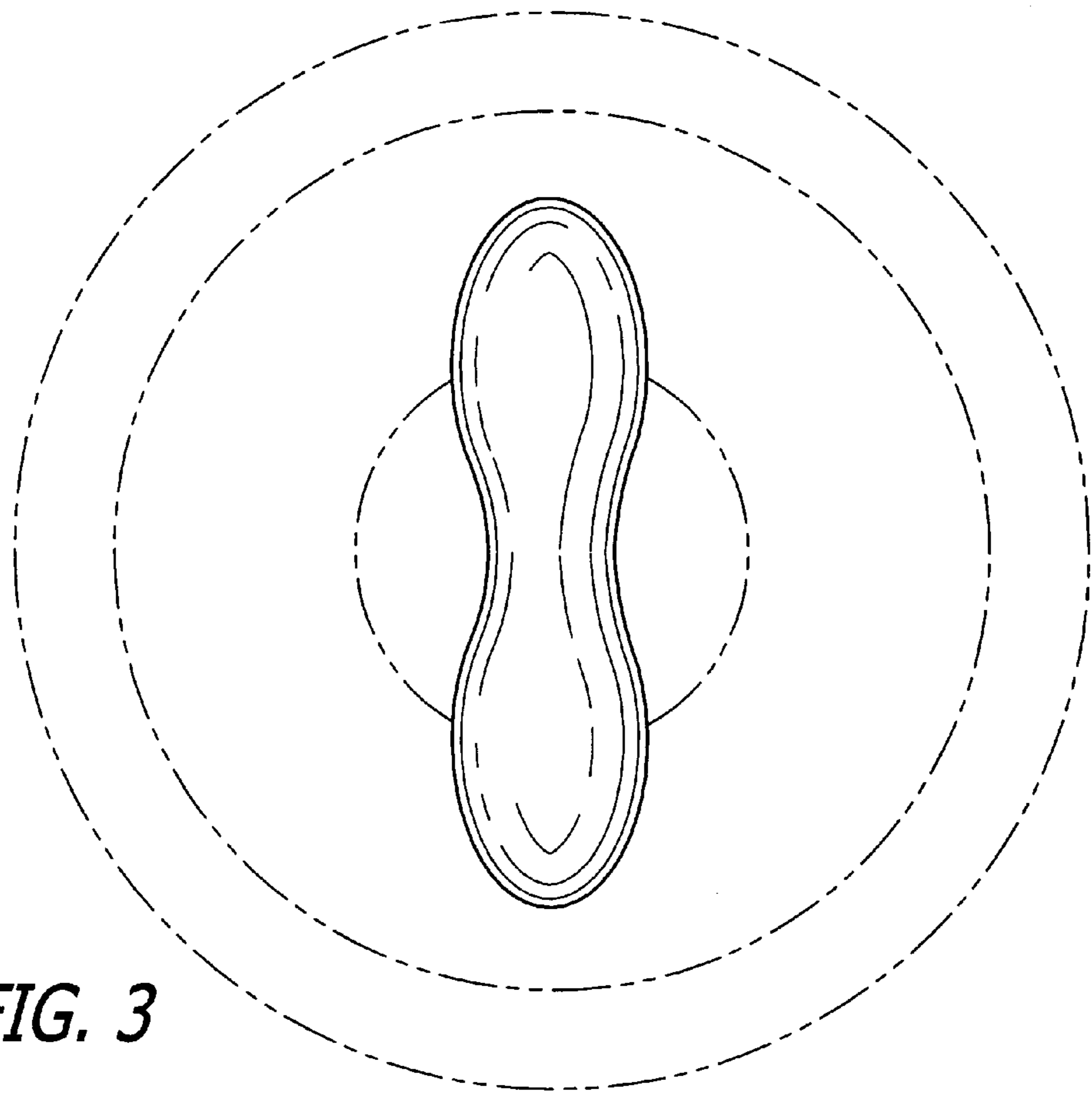


FIG. 3

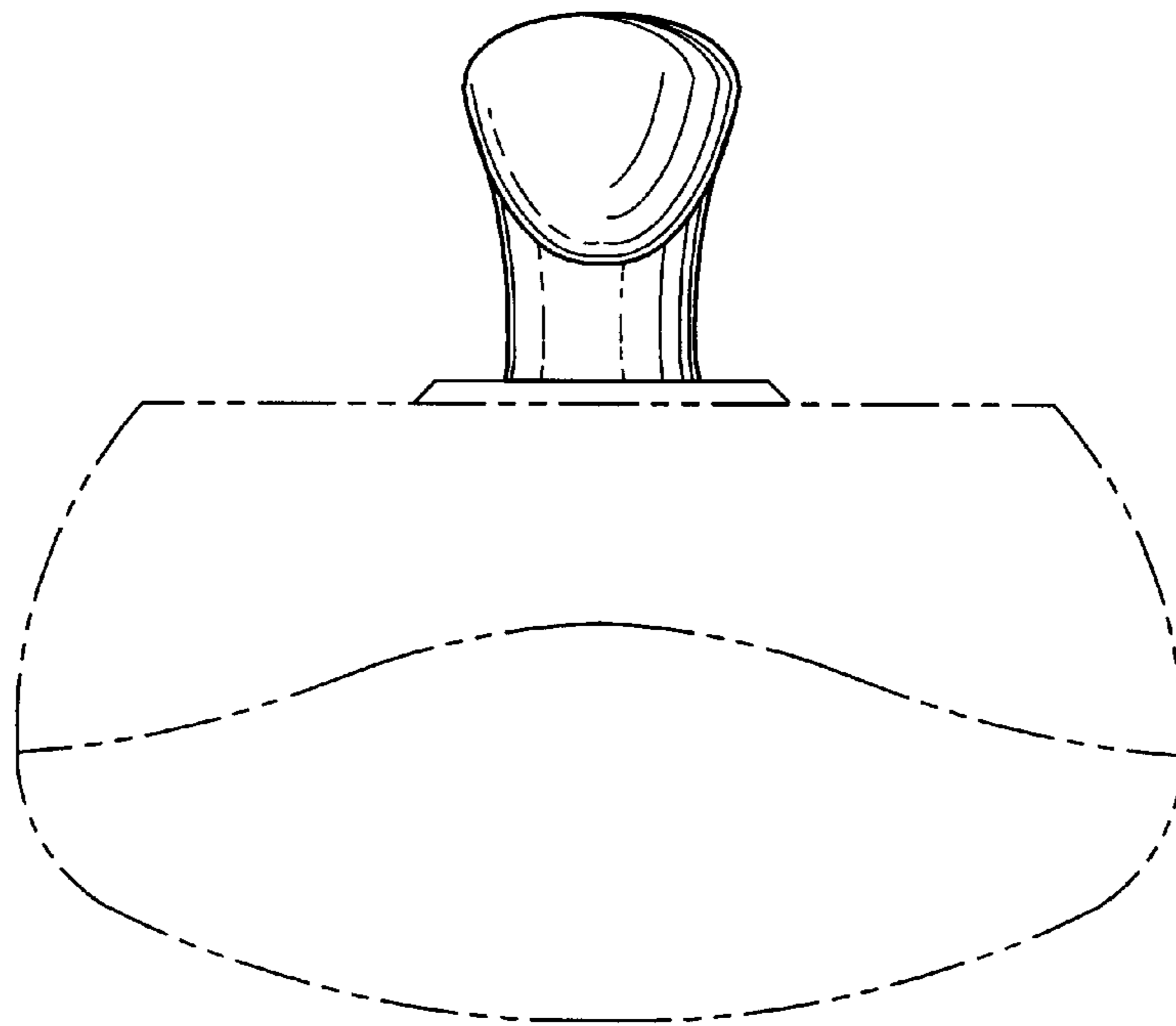


FIG. 4