



US00D475873S

(12) **United States Design Patent**
Mello

(10) **Patent No.:** **US D475,873 S**

(45) **Date of Patent:** **** Jun. 17, 2003**

(54) **SOAP BAR DISPENSER**

(76) **Inventor:** **Don Edward Mello**, 6780 Gloria Dr.,
#35, Sacramento, CA (US) 95831

(**) **Term:** **14 Years**

(21) **Appl. No.:** **29/163,944**

(22) **Filed:** **Jul. 16, 2002**

(51) **LOC (7) Cl.** **20-02**

(52) **U.S. Cl.** **D6/515**

(58) **Field of Search** D6/515, 517, 524,
D6/542, 545; 206/77.1, 812, 823; 211/13.1,
85.12; 221/282, 283; 222/173, 180, 181.1,
181.2, 181.3

(56) **References Cited**

U.S. PATENT DOCUMENTS

D349,001 S * 7/1994 Cibener D6/515
D359,867 S * 7/1995 Elldrege et al. D6/515
D397,566 S * 9/1998 Choiniere et al. D6/515

D403,188 S * 12/1998 Kancso D6/515
D430,438 S * 9/2000 Phelps et al. D6/515
D431,931 S * 10/2000 Sicignano, III D6/517 X
D463,929 S * 10/2002 Fitzsimmons et al. D6/515

* cited by examiner

Primary Examiner—Brian N. Vinson

(57) **CLAIM**

The ornamental design for a soap bar dispenser, as shown and described.

DESCRIPTION

FIG. 1 is a perspective view of a soap bar dispenser showing my new design.

FIG. 2 is a front view of the soap bar dispenser.

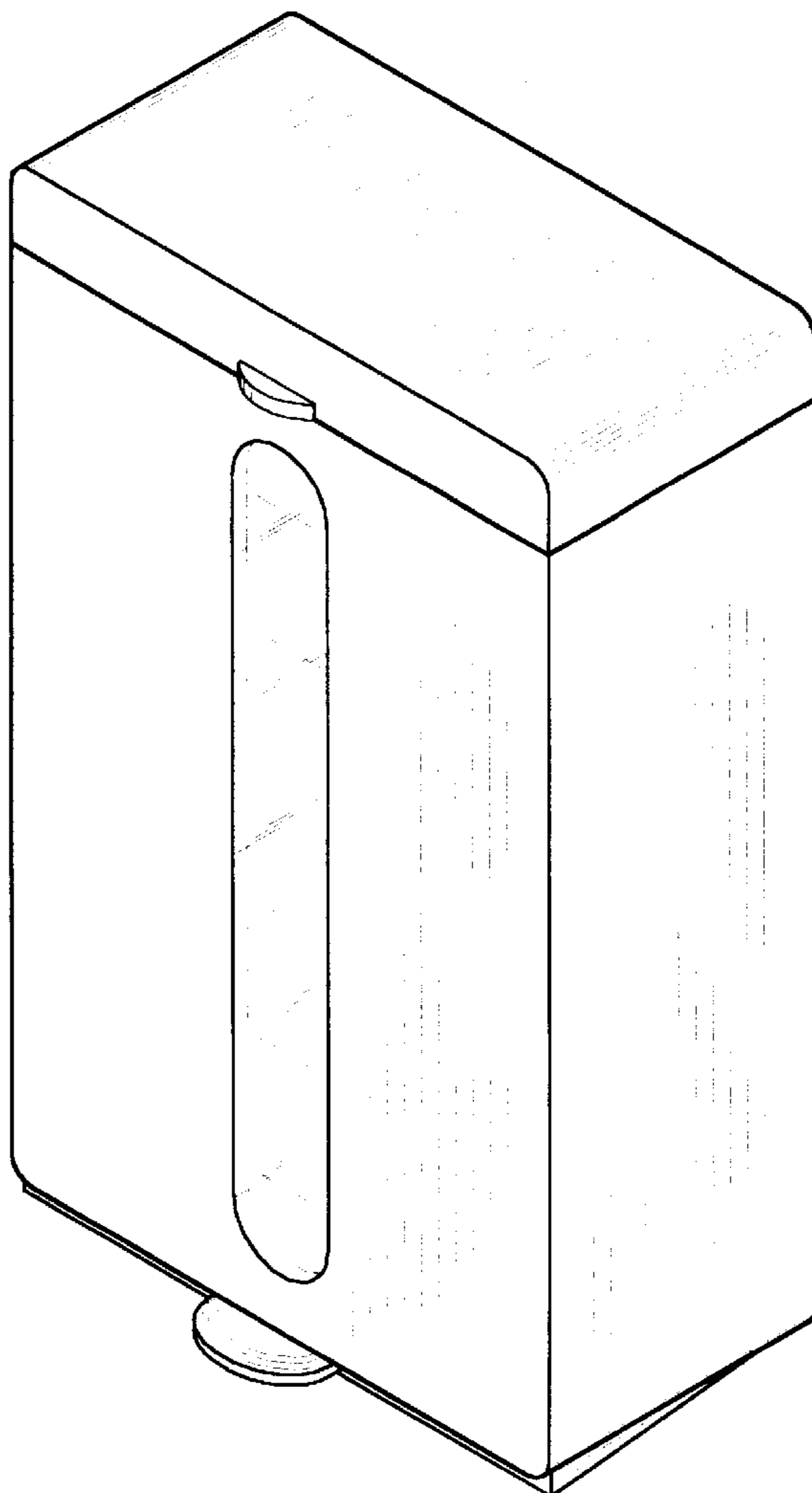
FIG. 3 is a back view of the soap bar dispenser.

FIG. 4 is a side view of the soap bar dispenser.

FIG. 5 is a top view of the soap bar dispenser; and,

FIG. 6 is a bottom view of the soap bar dispenser.

1 Claim, 3 Drawing Sheets



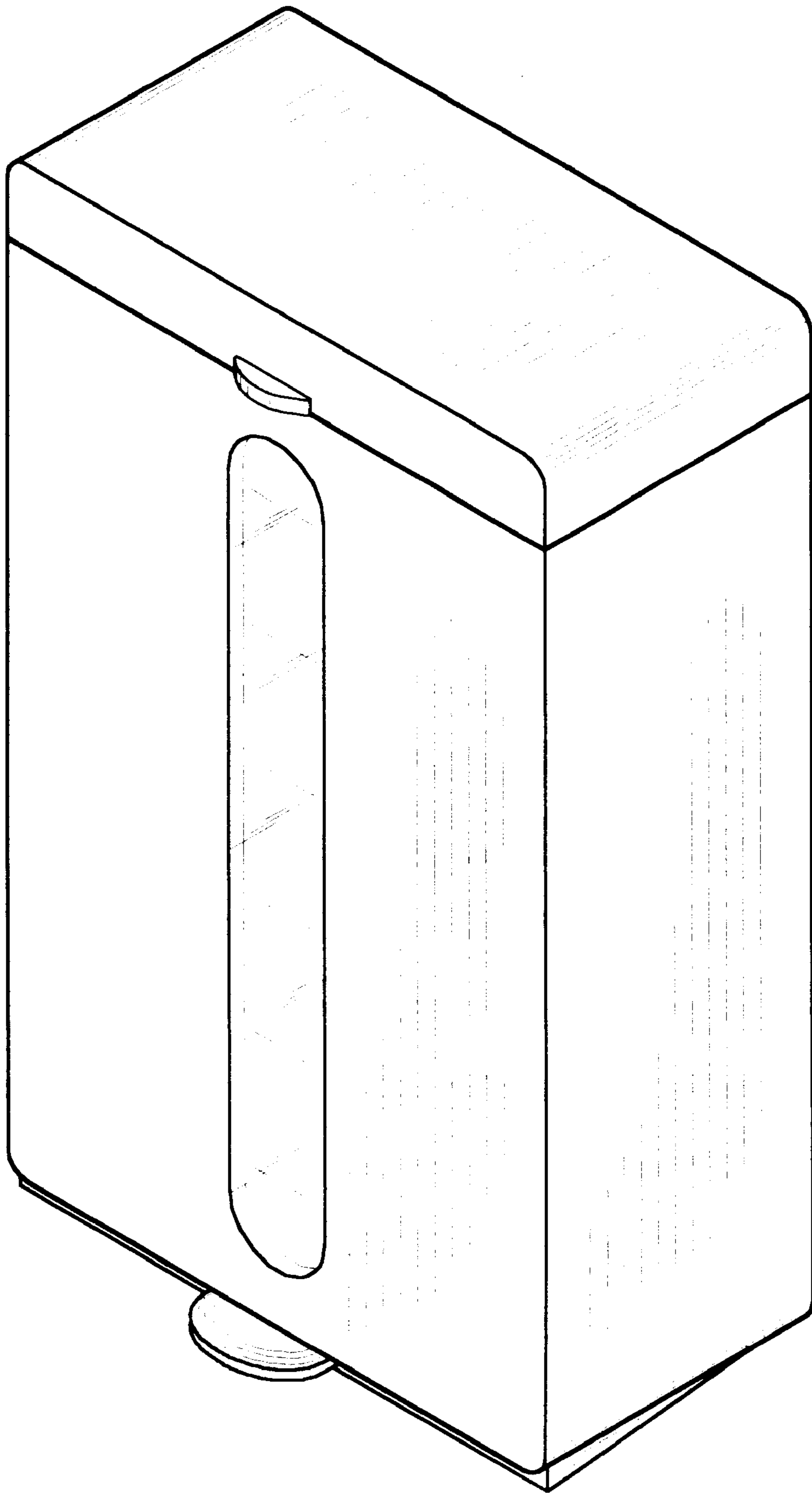


FIG. 1

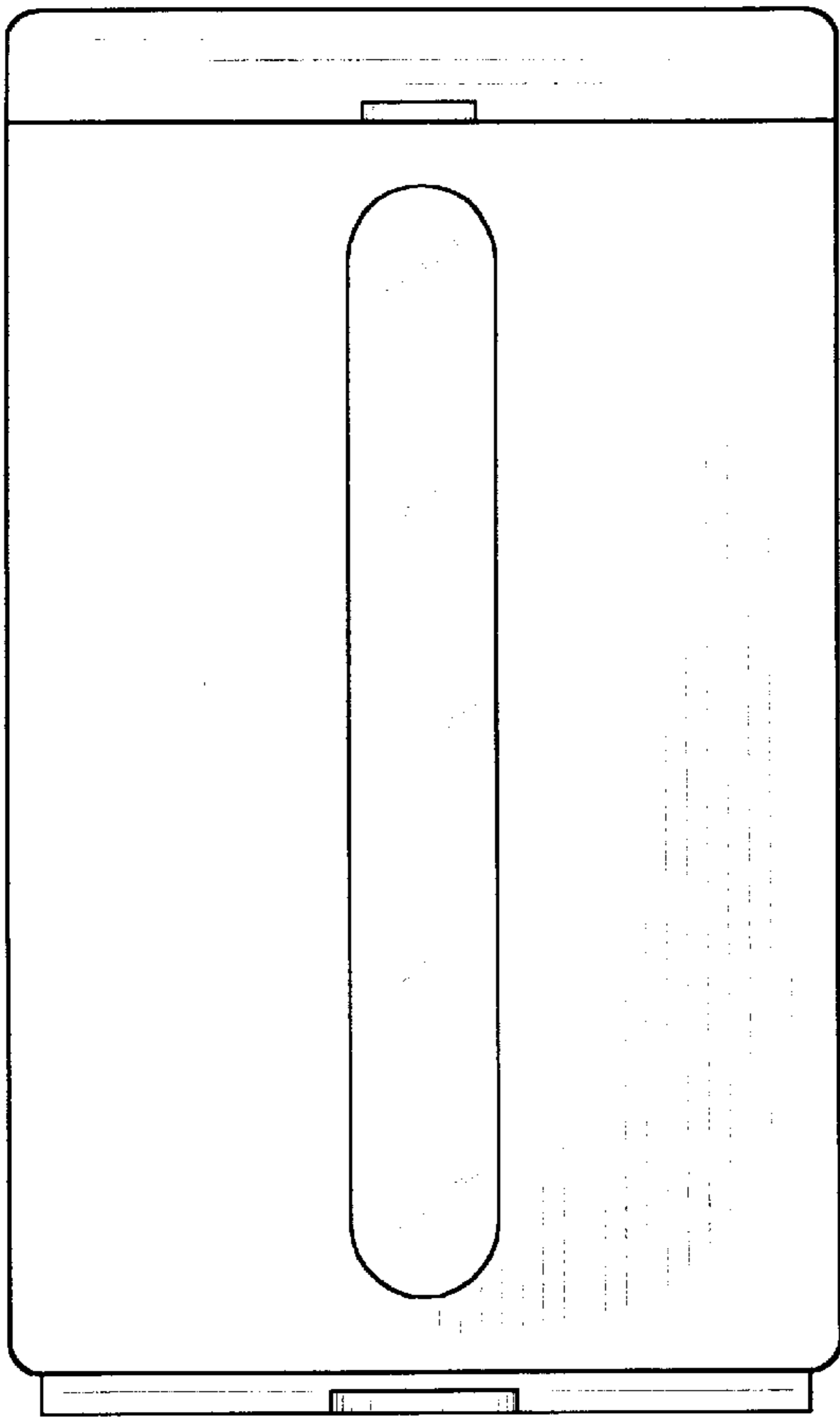


FIG. 2

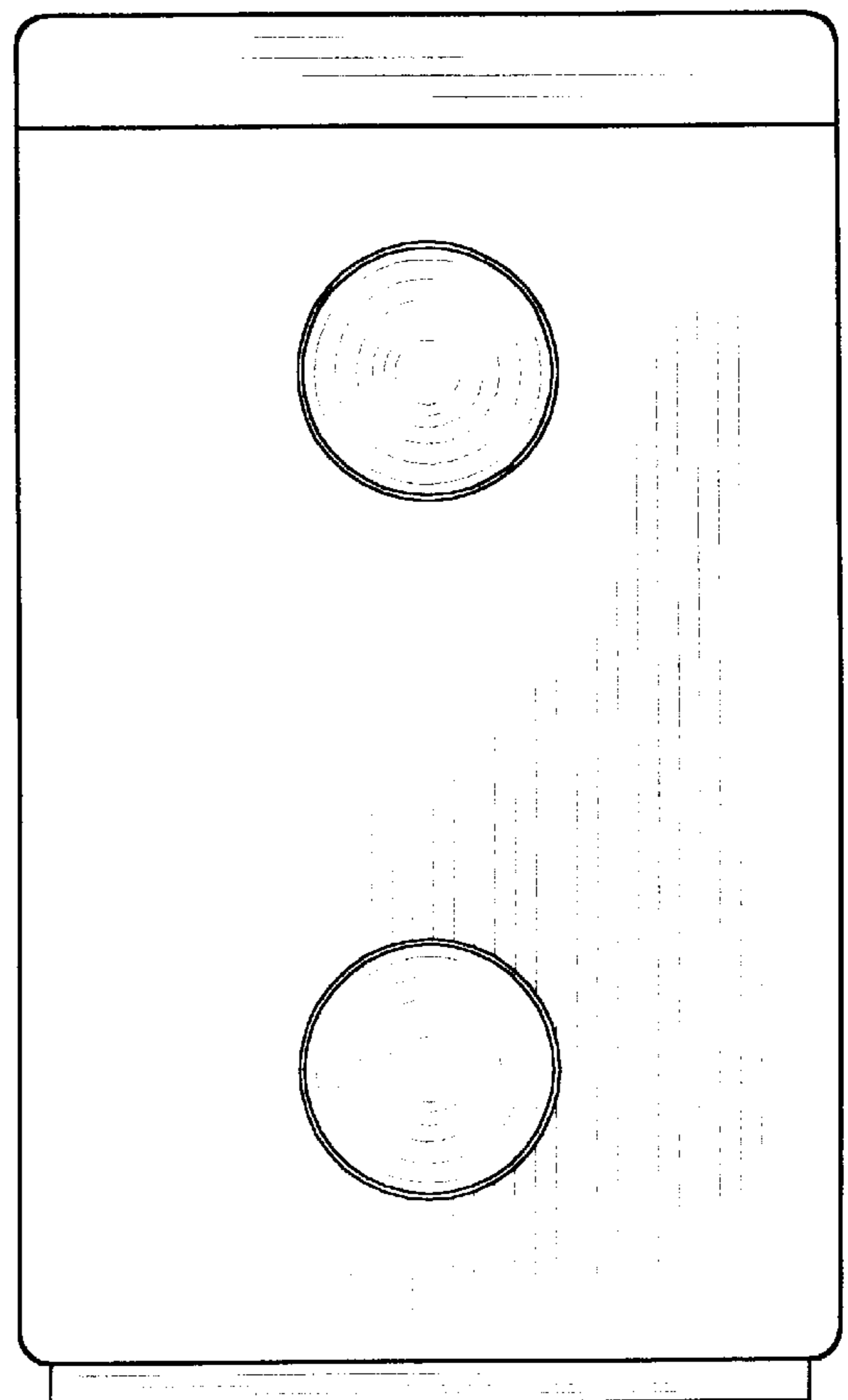


FIG. 3

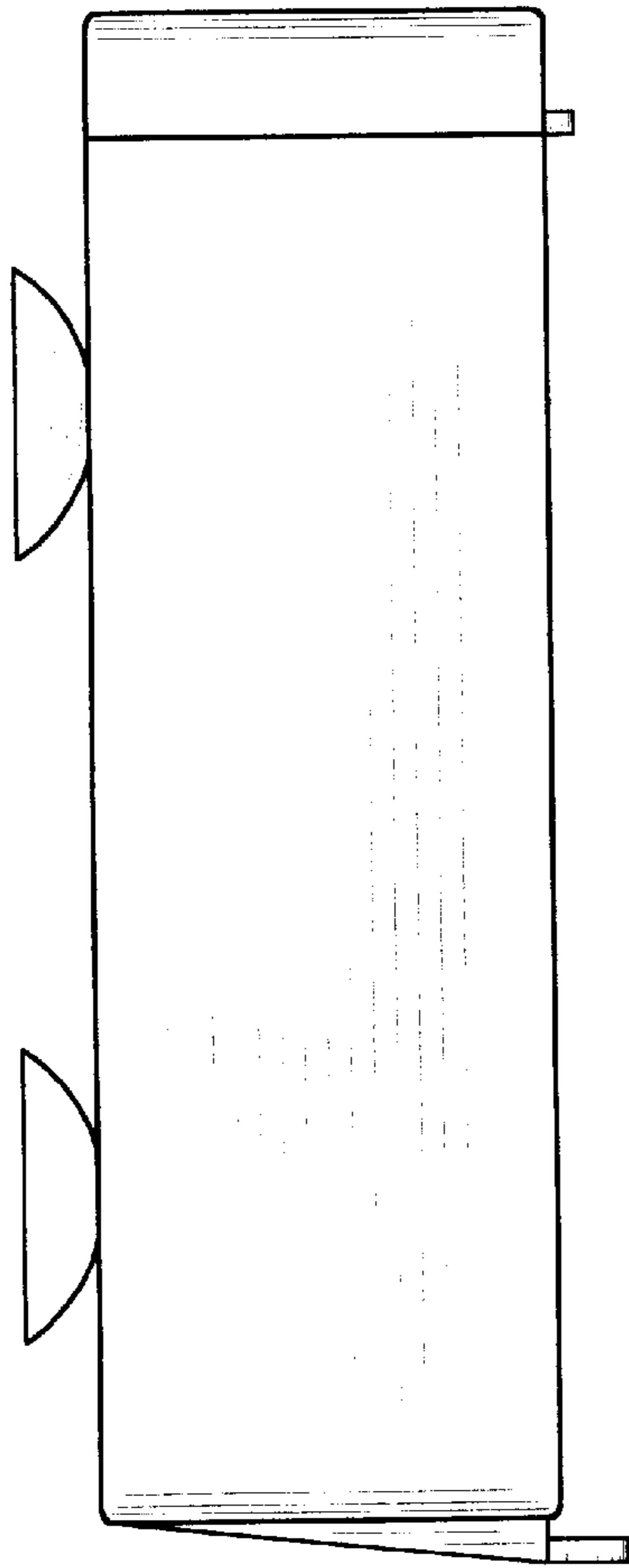


FIG. 4

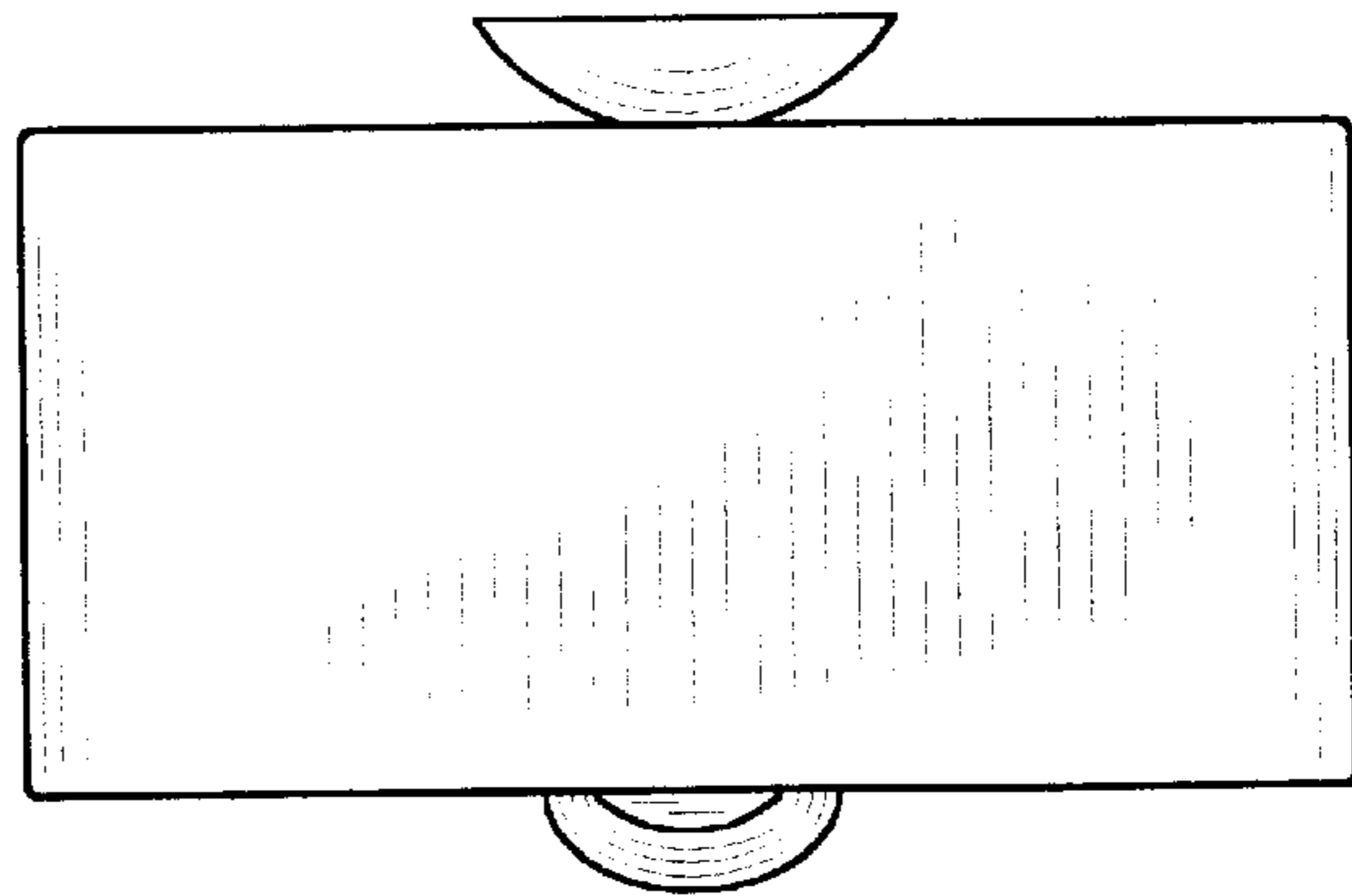


FIG. 5

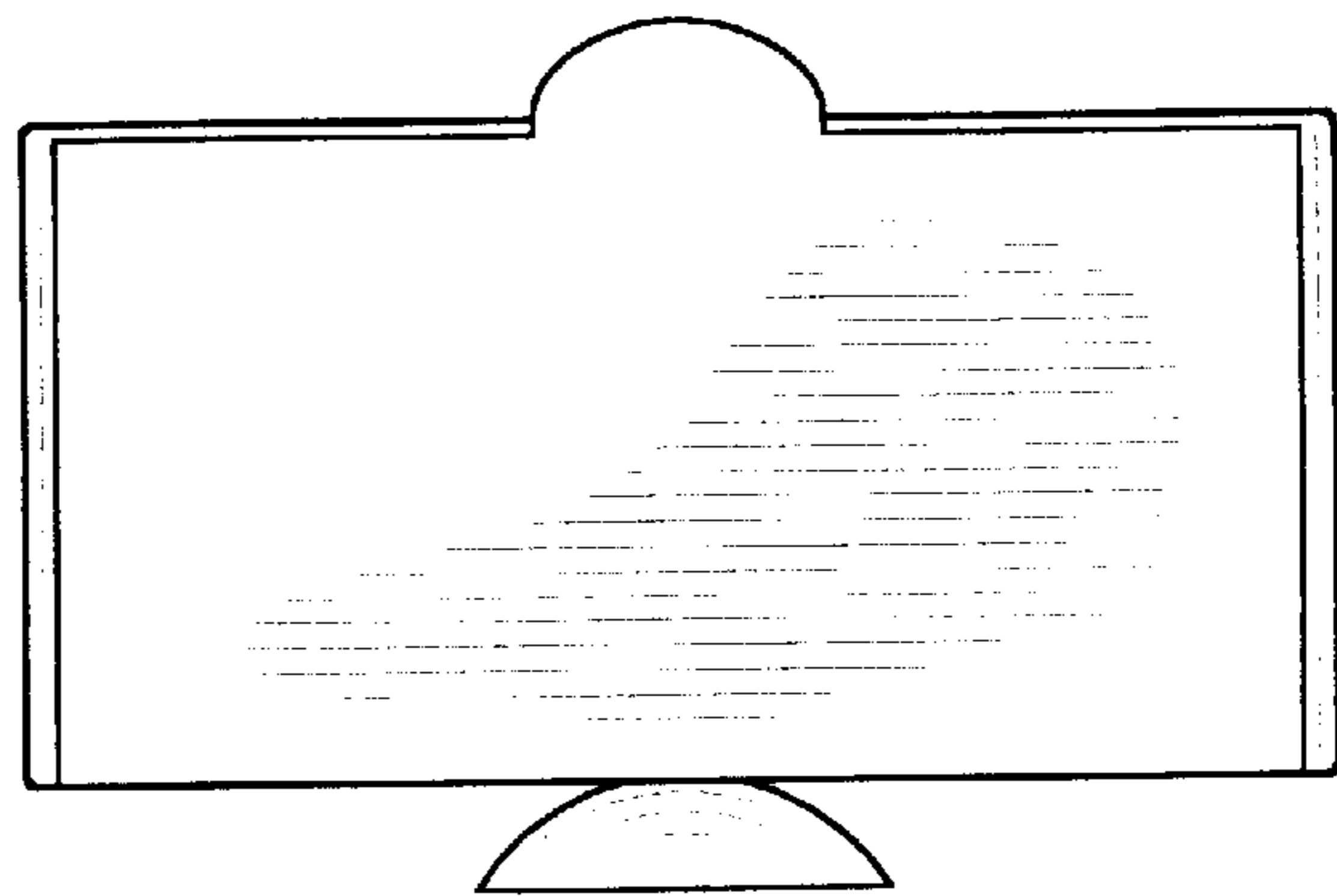


FIG. 6