



US00D475871S

(12) **United States Design Patent**
Tsai

(10) **Patent No.:** **US D475,871 S**

(45) **Date of Patent:** **** Jun. 17, 2003**

(54) **CHAIR BASE**

(76) **Inventor:** **Po-Chuan Tsai**, No. 144, Chung-Sheng
Tsung, Ren-Te Shiang, Tainan Hsien
(TW)

(**) **Term:** **14 Years**

(21) **Appl. No.:** **29/171,009**

(22) **Filed:** **Nov. 15, 2002**

(51) **LOC (7) Cl.** **06-06**

(52) **U.S. Cl.** **D6/498; D6/366**

(58) **Field of Search** D6/334, 364, 365,
D6/366, 367, 498, 500, 501, 502; 248/188,
188.1, 188.7, 188.8, 188.9; 297/344.18,
463.1

(56) **References Cited**

U.S. PATENT DOCUMENTS

D230,443 S * 2/1974 Klose D6/366
D233,807 S * 12/1974 Ruf D6/366

D358,944 S * 6/1995 Citterio D6/366
D429,422 S * 8/2000 De Lucchi et al. D6/366
D436,456 S * 1/2001 Neil D6/366
D469,618 S * 2/2003 Nagamitsu D6/366

* cited by examiner

Primary Examiner—Gary D. Watson

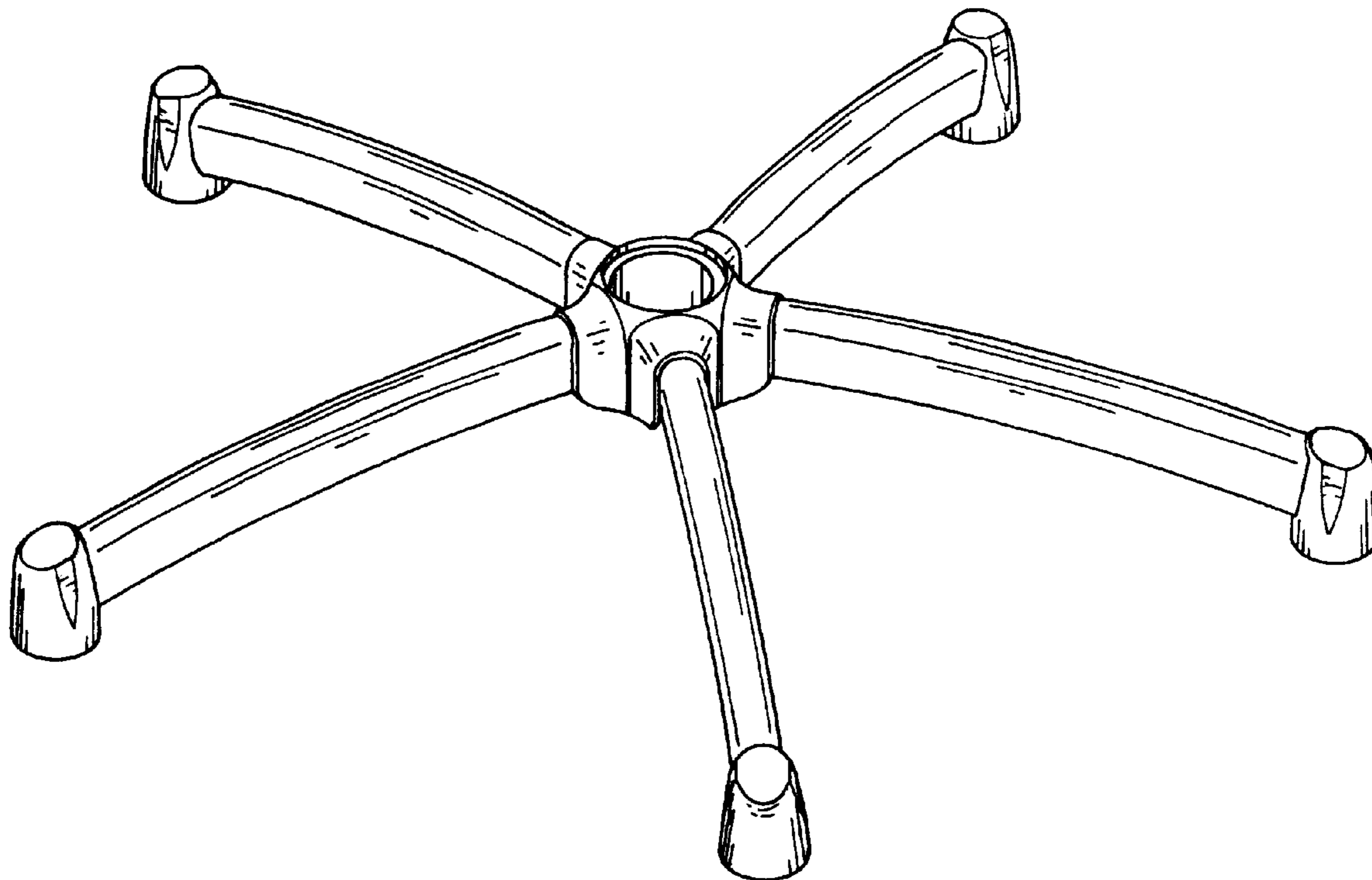
(57) **CLAIM**

The ornamental design for chair base, as shown and described.

DESCRIPTION

FIG. 1 is a perspective view of chair base showing my design;
FIG. 2 is a front elevational view thereof;
FIG. 3 is a rear elevational view thereof;
FIG. 4 is a left side elevational view thereof;
FIG. 5 is a right side elevational view thereof;
FIG. 6 is a top plan view thereof; and,
FIG. 7 is a bottom plan view thereof.

1 Claim, 5 Drawing Sheets



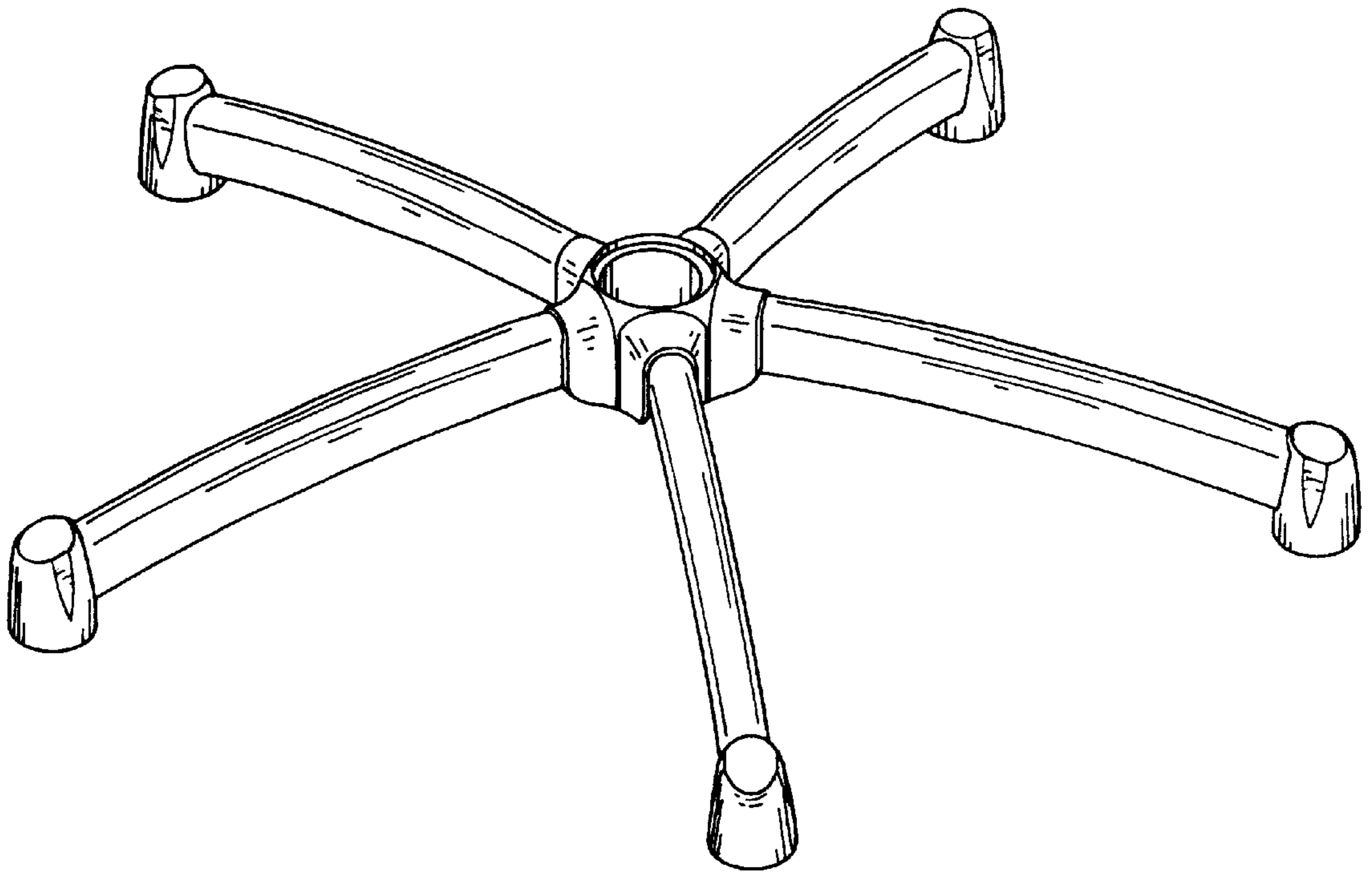


FIG. 1

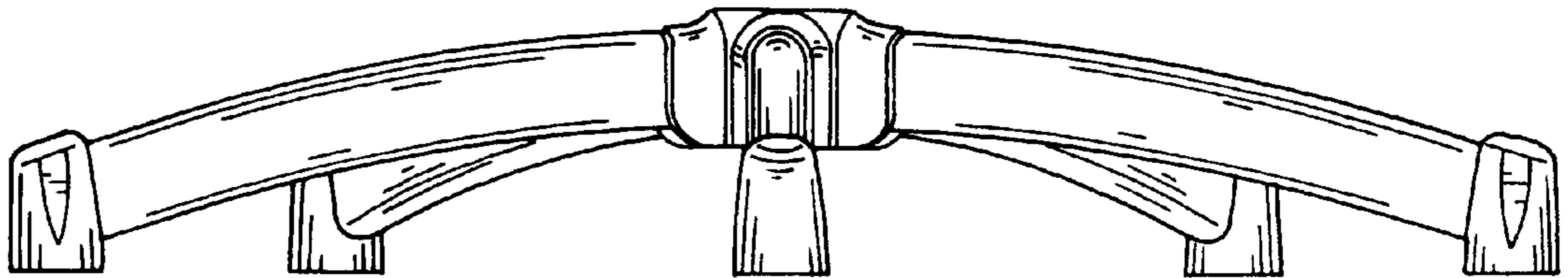


FIG. 2

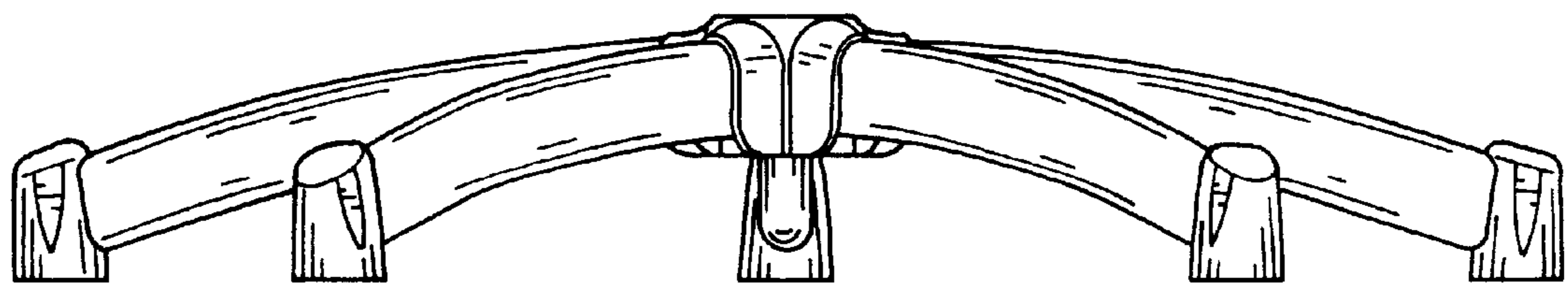


FIG. 3

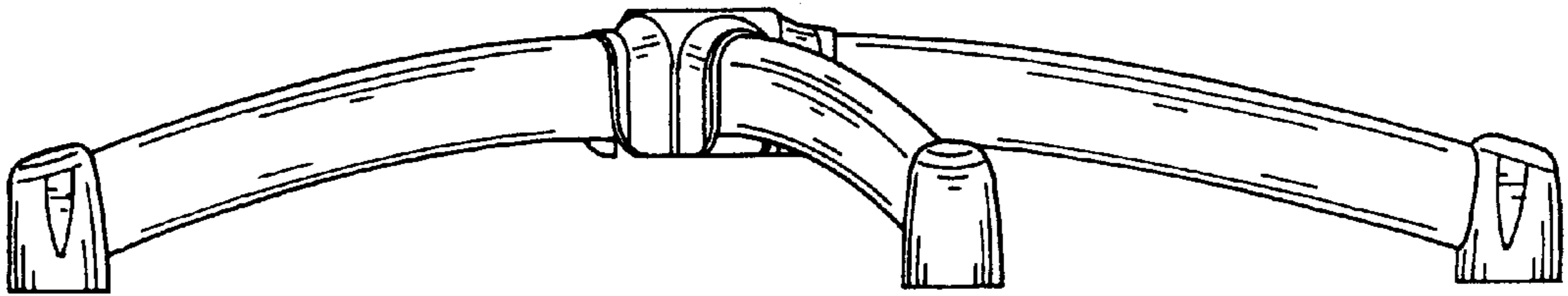


FIG. 4

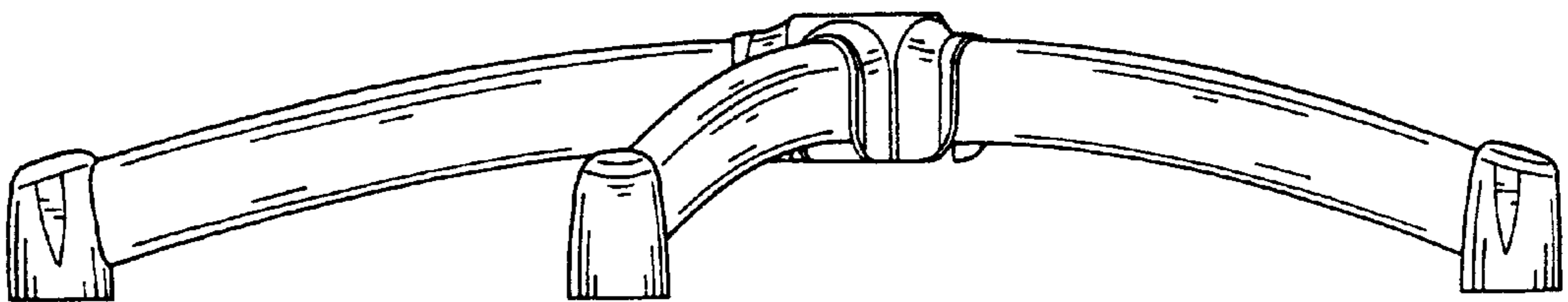


FIG. 5

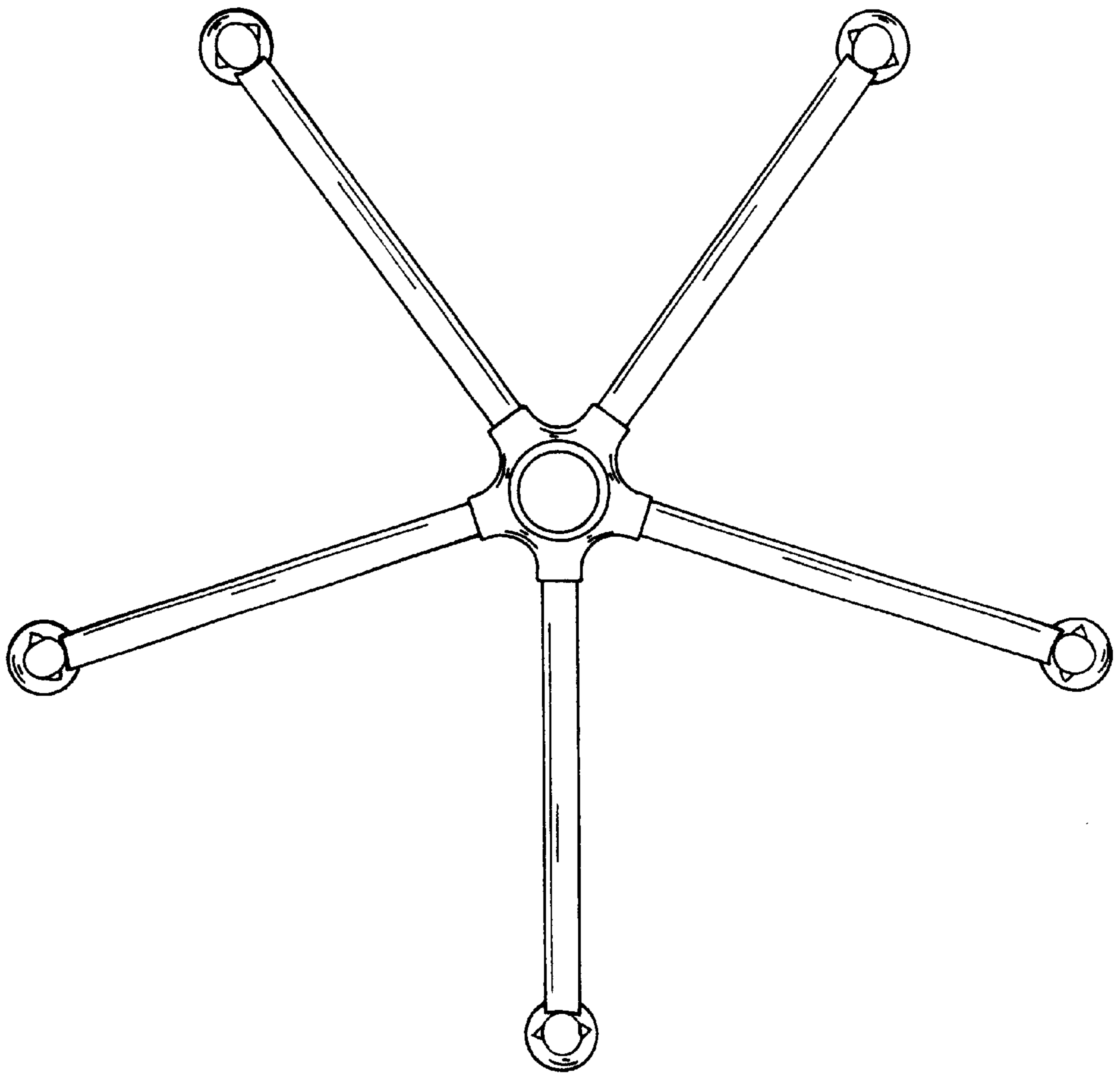


FIG.6

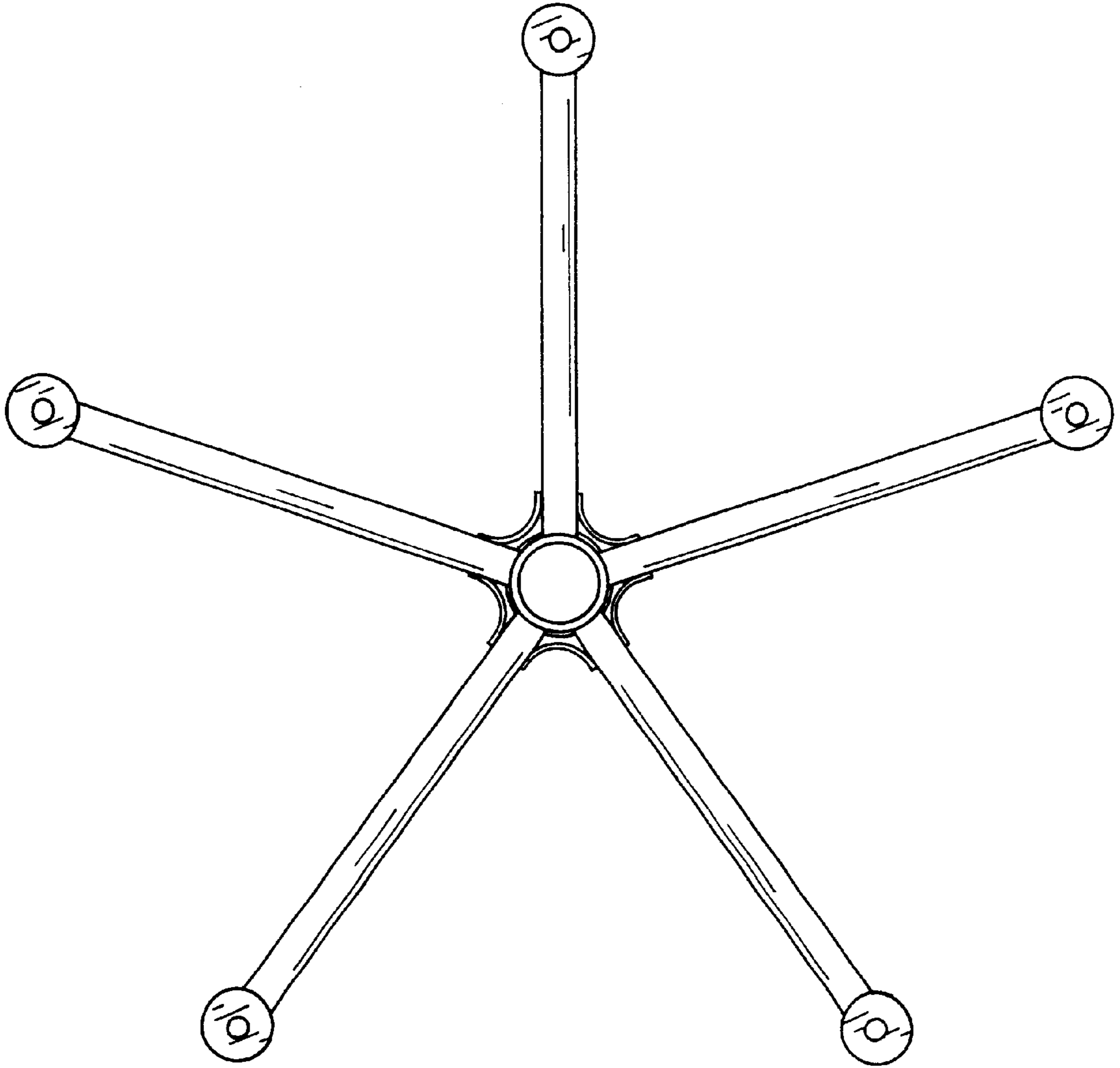


FIG. 7