



US00D475870S

(12) **United States Design Patent**
Chang

(10) **Patent No.:** **US D475,870 S**

(45) **Date of Patent:** **** Jun. 17, 2003**

(54) **SIDE PANEL FOR FURNITURE**

D451,307 S * 12/2001 Dong D6/474
6,354,232 B1 * 3/2002 Hulke 108/149

(76) Inventor: **Wu-De Chang**, No. 27, Alley 43, Lane
192, Sec. 1, Dong-Shan Rd., Tai-chung
City (TW)

* cited by examiner

(**) Term: **14 Years**

Primary Examiner—Cathron C. Brooks
(74) *Attorney, Agent, or Firm*—Charles E. Baxley

(21) Appl. No.: **29/169,941**

(57) **CLAIM**

(22) Filed: **Oct. 30, 2002**

The ornamental design for side panel for furniture, as shown
and described.

(51) **LOC (7) Cl.** **06-06**

DESCRIPTION

(52) **U.S. Cl.** **D6/492**

(58) **Field of Search** D6/630, 449, 474,
D6/477, 478, 479, 491, 492, 494, 499;
108/59, 91, 92, 93; 211/134, 182

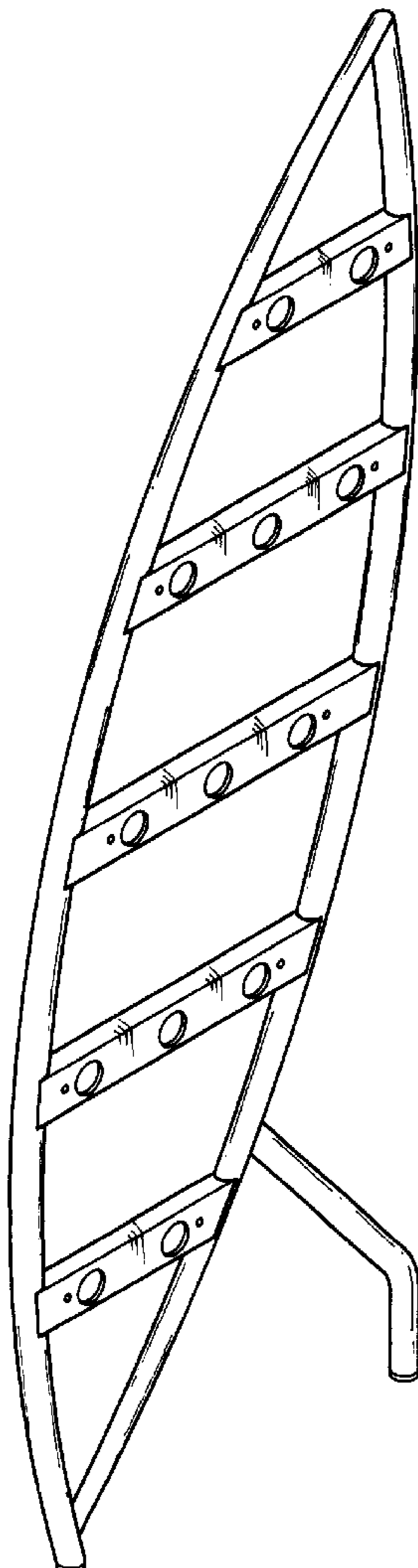
FIG. 1 is a perspective view of a side panel for furniture
showing our new design thereof;
FIG. 2 is a front elevational view thereof;
FIG. 3 is a rear elevational view thereof;
FIG. 4 is a left side elevational view thereof;
FIG. 5 is a right side elevational view thereof;
FIG. 6 is a top plan view thereof; and,
FIG. 7 is a bottom plan view thereof.

(56) **References Cited**

U.S. PATENT DOCUMENTS

D416,714 S * 11/1999 Ziliani D6/479
6,092,475 A * 7/2000 Langer et al. 108/188
D433,846 S * 11/2000 Chang D6/474

1 Claim, 5 Drawing Sheets



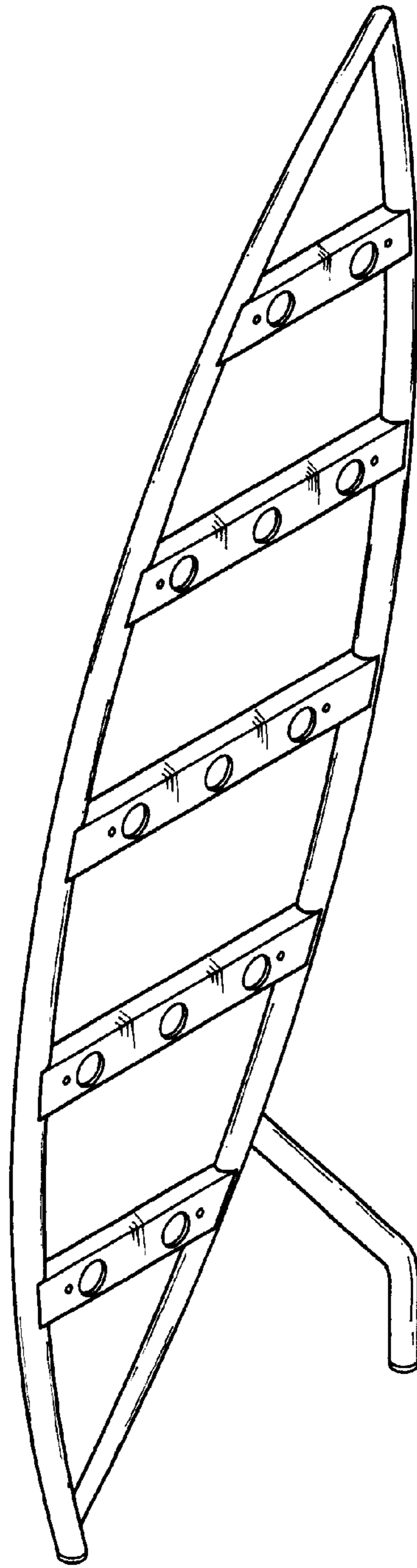


FIG. 1

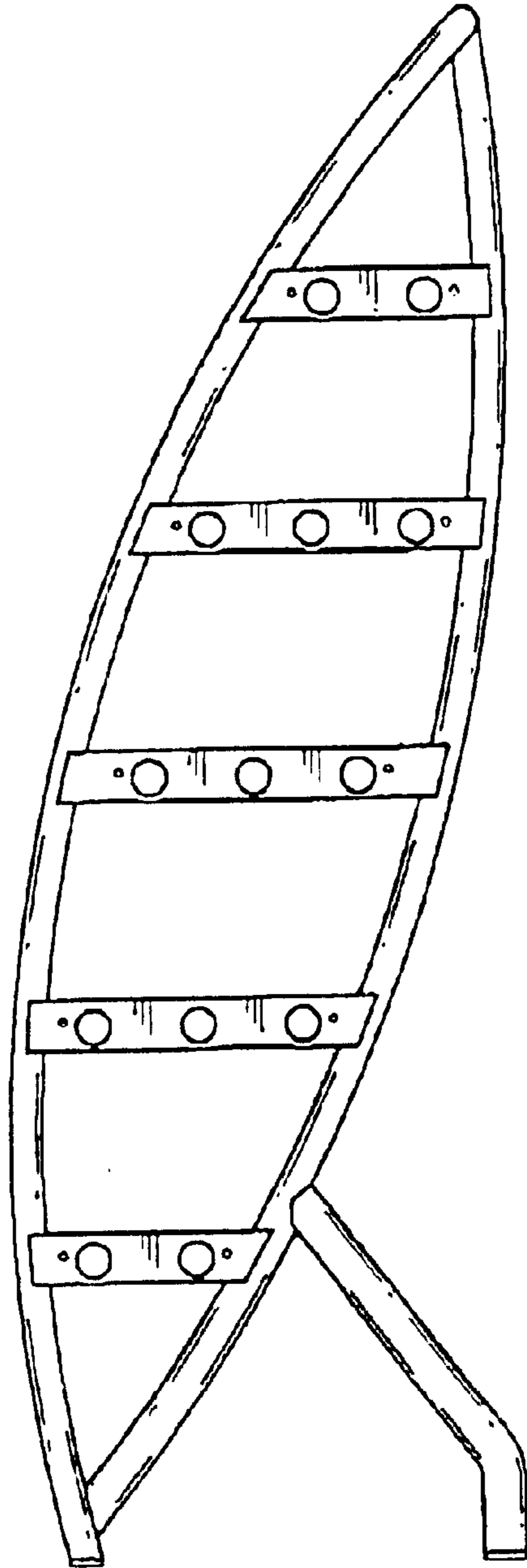


FIG.2

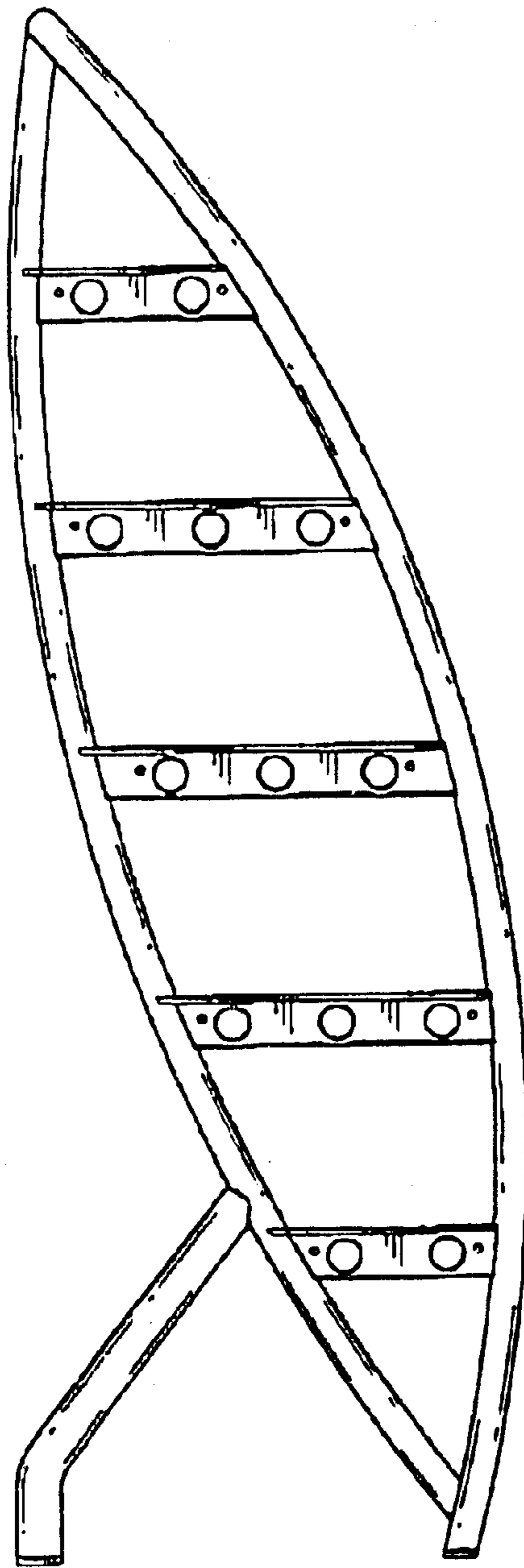


FIG. 3



FIG. 4



FIG. 5

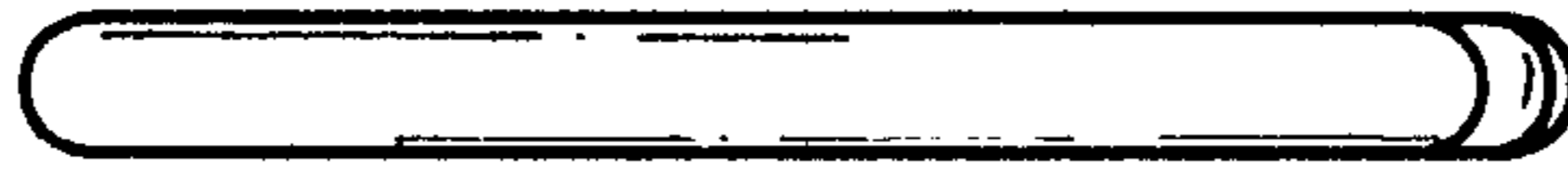


FIG. 6

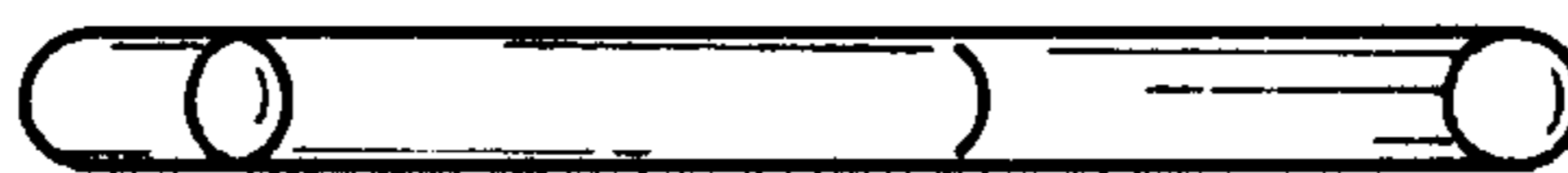


FIG. 7