



US00D475869S

(12) **United States Design Patent**
Jackson

(10) **Patent No.:** **US D475,869 S**

(45) **Date of Patent:** **** Jun. 17, 2003**

(54) **TABLE**

(75) **Inventor:** **Steven Jackson**, Woodbridge (CA)

(73) **Assignee:** **Royal Alliance Inc.**, Woodbridge (CA)

(**) **Term:** **14 Years**

(21) **Appl. No.:** **29/164,887**

(22) **Filed:** **Aug. 2, 2002**

(51) **LOC (7) Cl.** **06-03**

(52) **U.S. Cl.** **D6/480**

(58) **Field of Search** D6/480-489, 495,
D6/499, 429-431; 108/124, 153.1, 155,
156, 157.1, 161, 115, 127, 130, 131, 83,
86, 87, 88; 248/188, 188.1, 188.8

(56) **References Cited**

U.S. PATENT DOCUMENTS

D221,238 S * 7/1971 Gianfagna D6/484

D236,786 S * 9/1975 Smith D6/484
D263,910 S * 4/1982 Robertson et al. D6/485
5,318,260 A * 6/1994 Kemnitz 248/188.91

OTHER PUBLICATIONS

Wood Classics, Mar. 11, 1997, p. 16, table at top right.*
Country Casual, Apr. 5, 1994, p. 38, trestle table.*

* cited by examiner

Primary Examiner—Janice E. Seeger

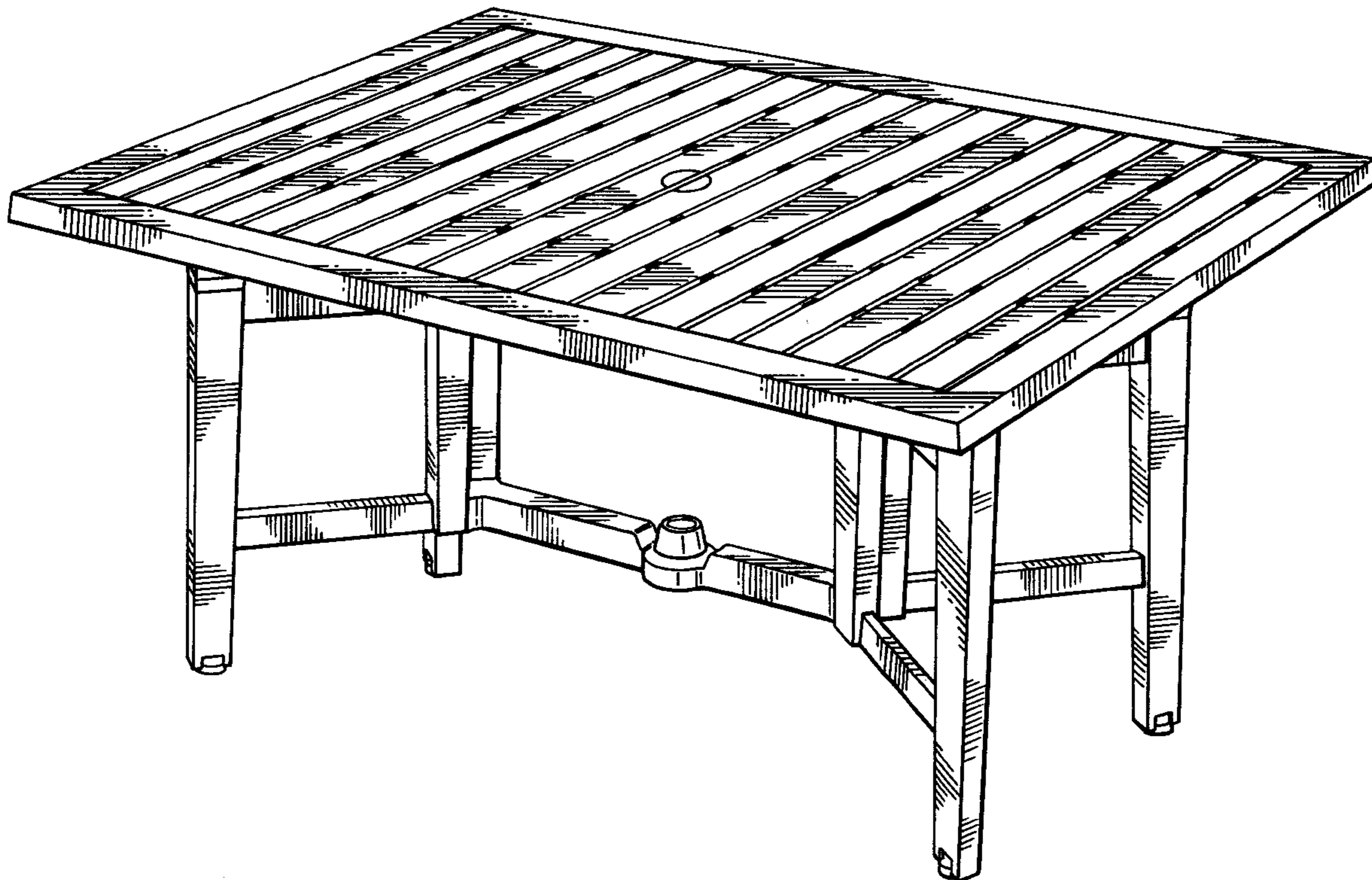
(57) **CLAIM**

The ornamental design for a table, as shown and described.

DESCRIPTION

FIG. 1 is a perspective view of the table to which the design is applied;
FIGS. 2 through 5 are top, side, end and bottom views of the tables of FIG. 1; and,
FIG. 6 shows a variant of the design.

1 Claim, 6 Drawing Sheets



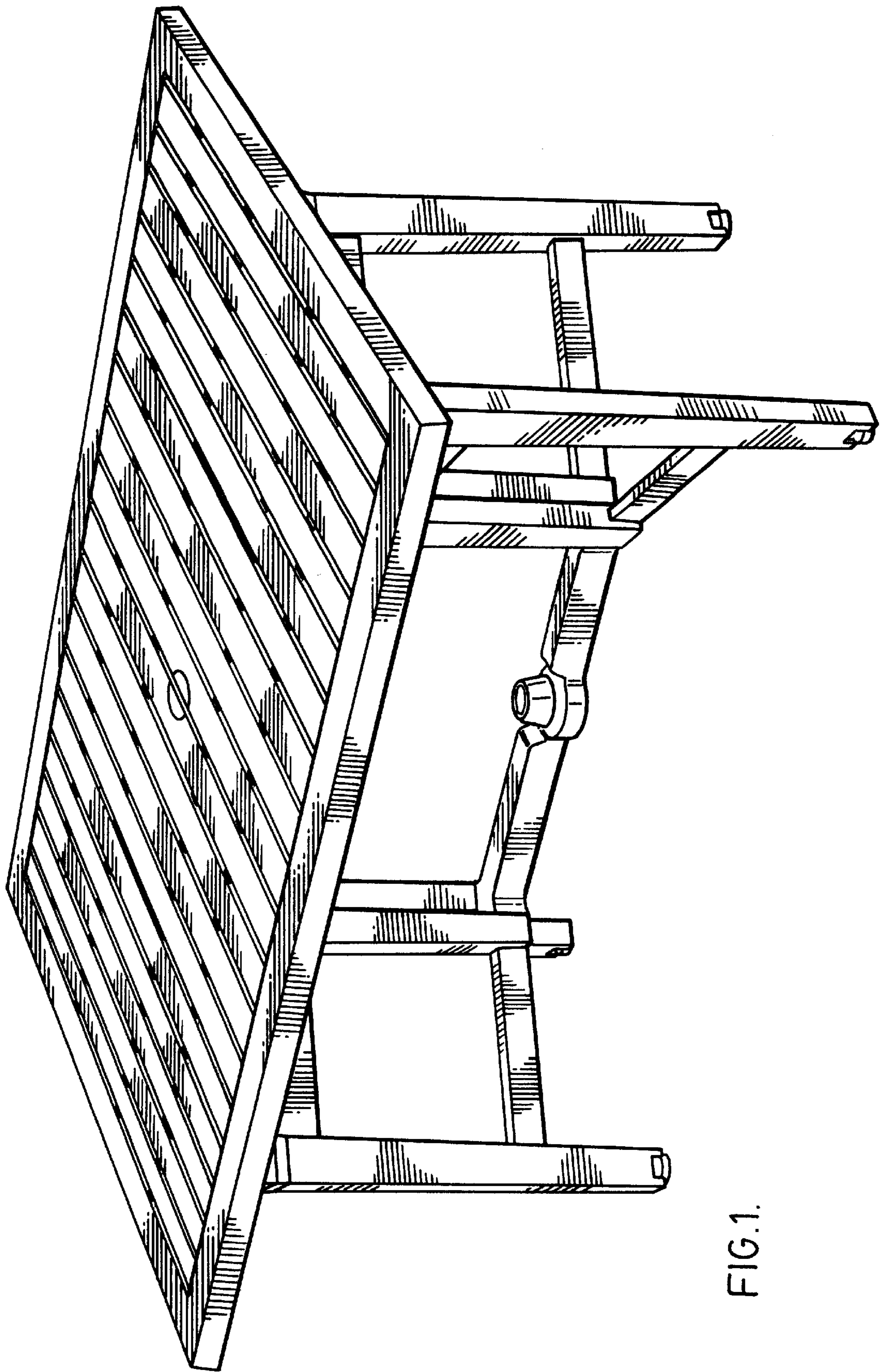
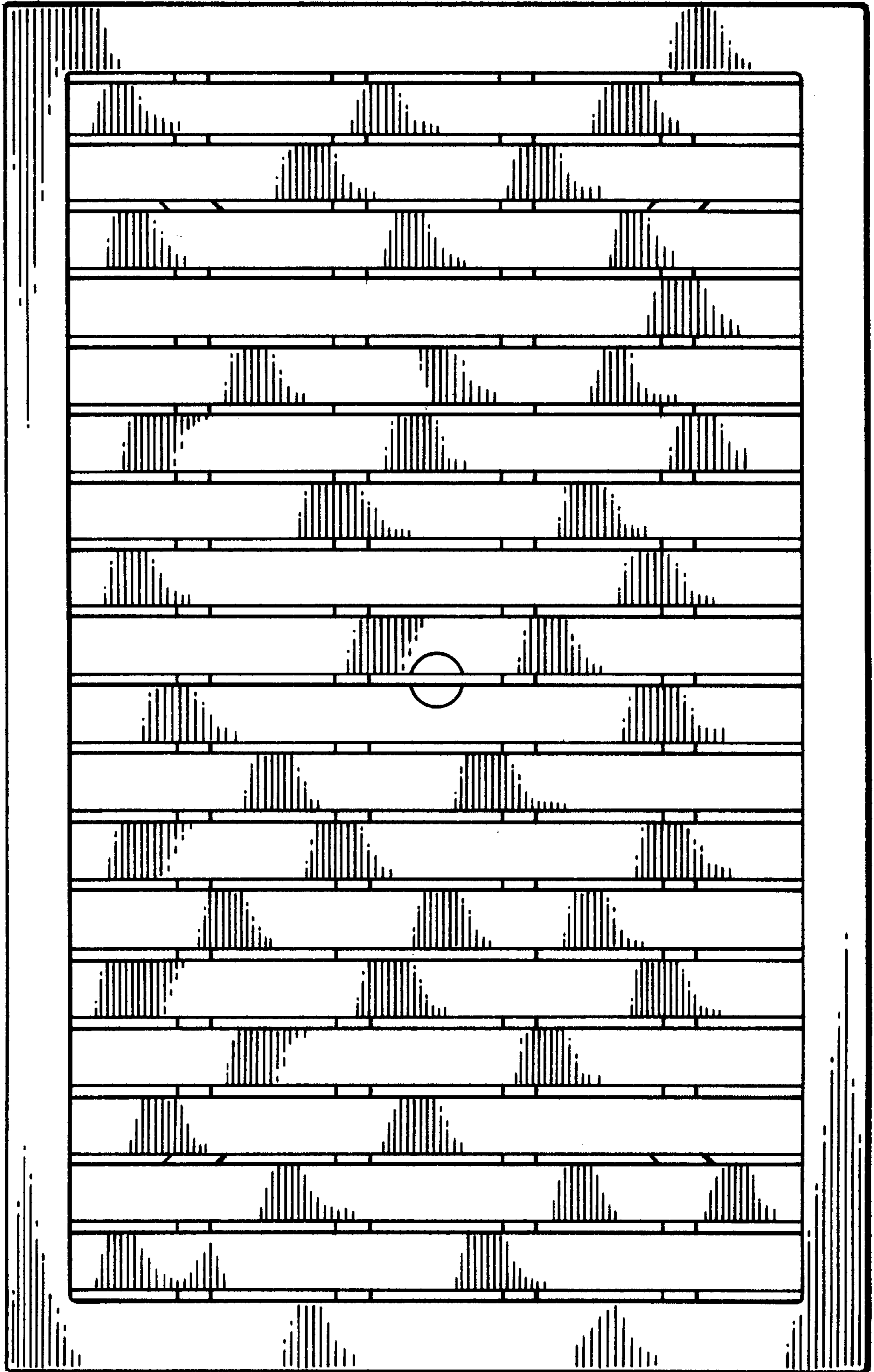


FIG. 1.

FIG. 2.



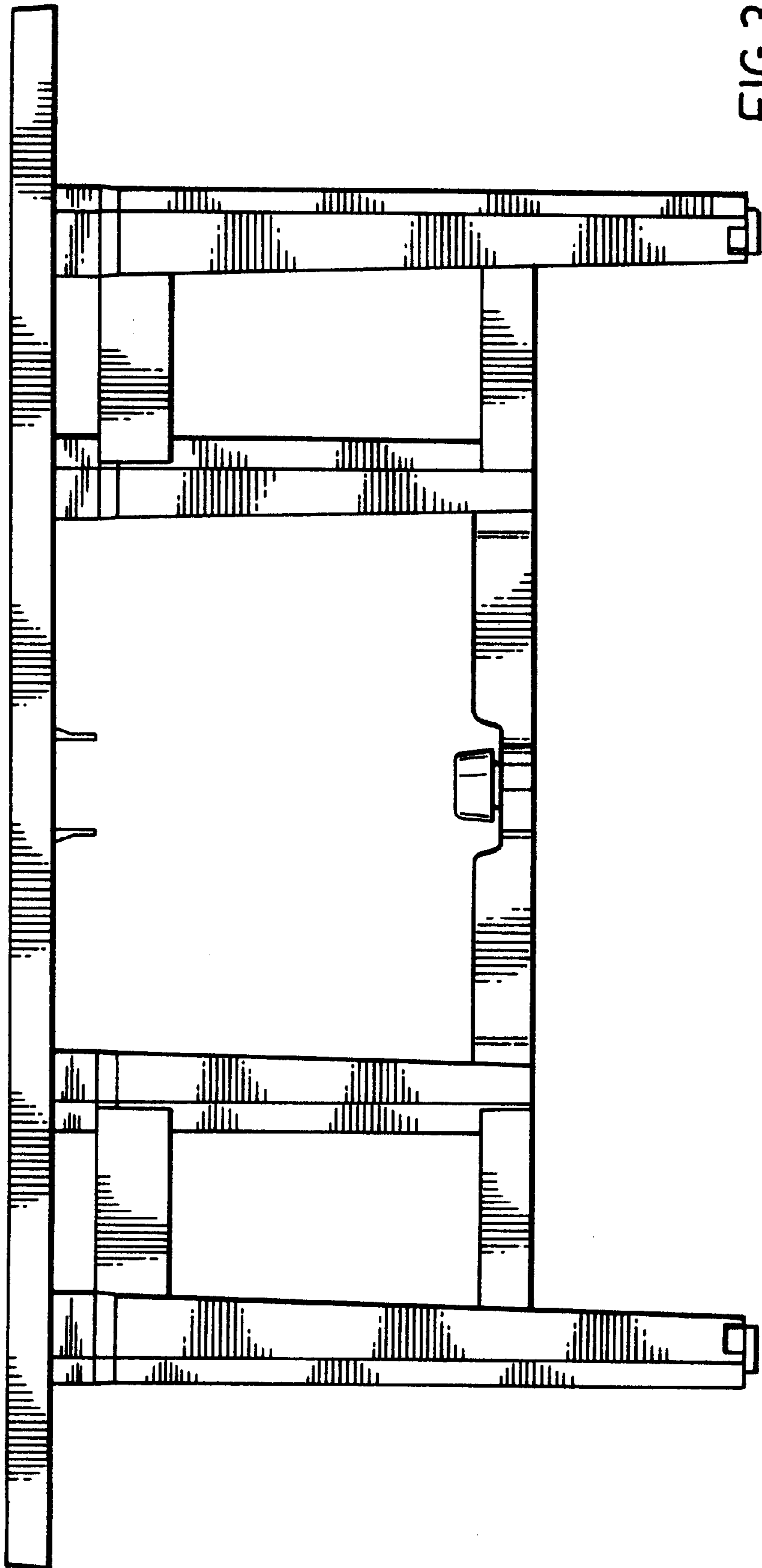


FIG. 3.

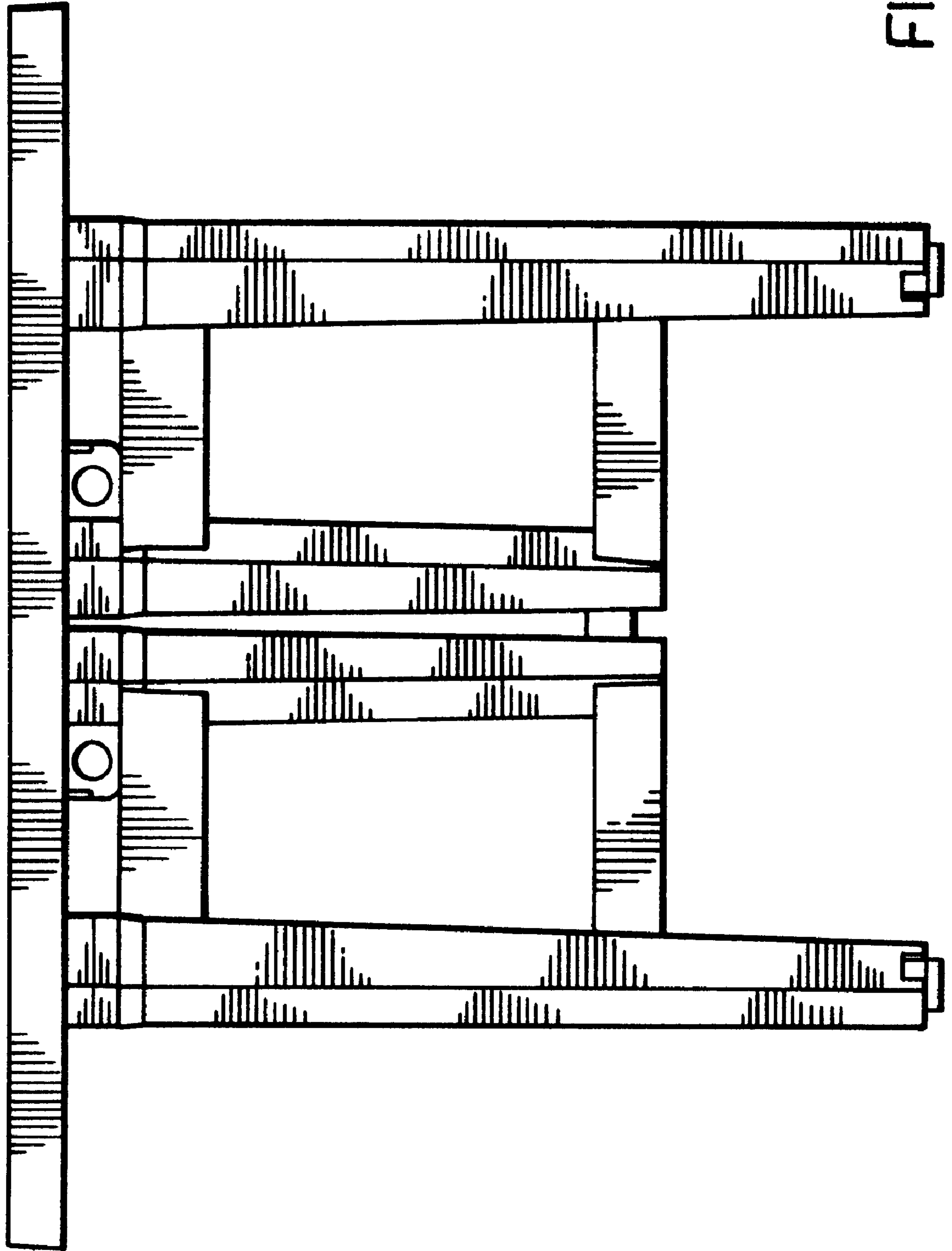


FIG. 4.

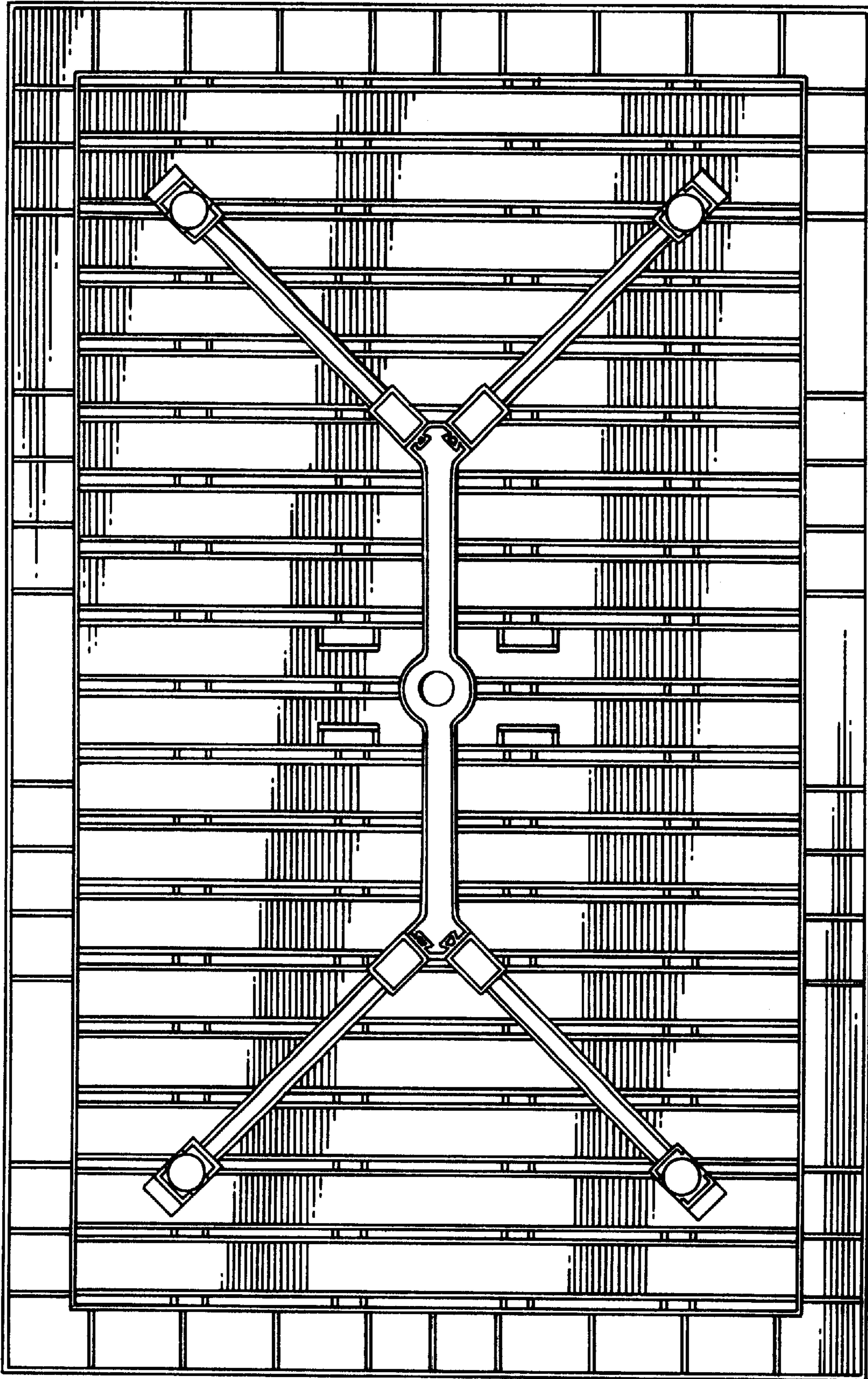


FIG. 5.

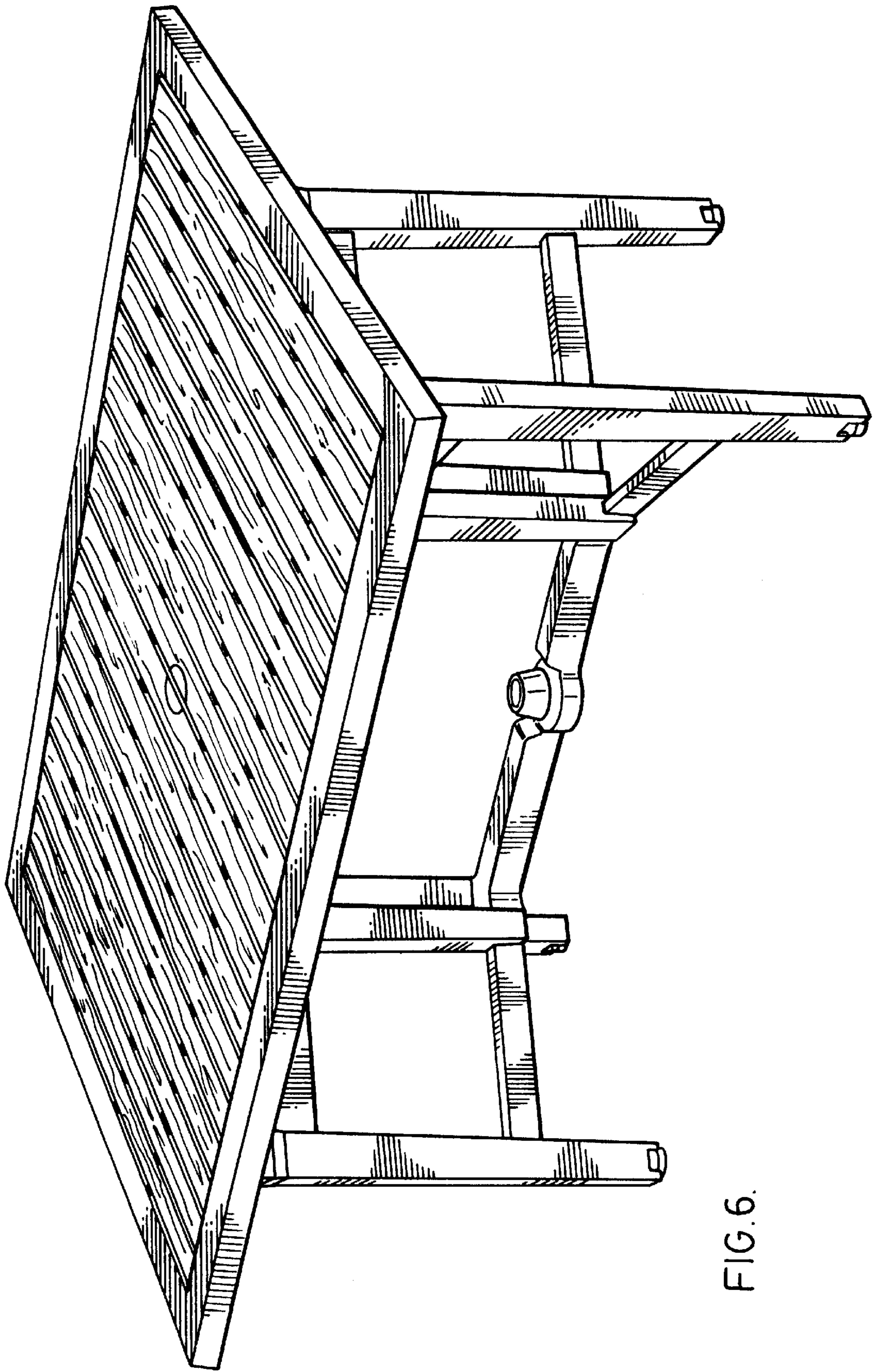


FIG. 6.