



US00D475864S

(12) **United States Design Patent**  
**Thurman, Jr.**

(10) **Patent No.:** **US D475,864 S**

(45) **Date of Patent:** **\*\* Jun. 17, 2003**

(54) **GOLF CLUB SUPPORT**

D418,186 S \* 12/1999 Canterbury ..... D21/796  
6,383,088 B1 \* 5/2002 Kershner ..... 473/282

(76) Inventor: **Leon Thurman, Jr.**, 8038 Ackerson  
Way, Antelope, CA (US) 95843

\* cited by examiner

(\*\*) Term: **14 Years**

*Primary Examiner*—Cathron C. Brooks

(21) Appl. No.: **29/163,827**

(57) **CLAIM**

(22) Filed: **Jul. 11, 2002**

The ornamental design for a golf club support, as shown and described.

(51) **LOC (7) Cl.** ..... **06-04**

**DESCRIPTION**

(52) **U.S. Cl.** ..... **D6/417**

(58) **Field of Search** ..... D6/396, 400, 416,  
D6/417, 418, 449, 466; D21/796; 206/315.2;  
245/156; 248/156; 473/282

FIG. 1 is a front elevational view of a golf club showing my new design;

FIG. 2 is a rear elevational view thereof;

FIG. 3 is a side view, taken from the left side of FIG. 1, the right side view being a mirror image thereof;

FIG. 4 is an enlarged top plan view thereof;

FIG. 5 is an enlarged bottom plan view thereof; and,

FIG. 6 is a perspective view thereof.

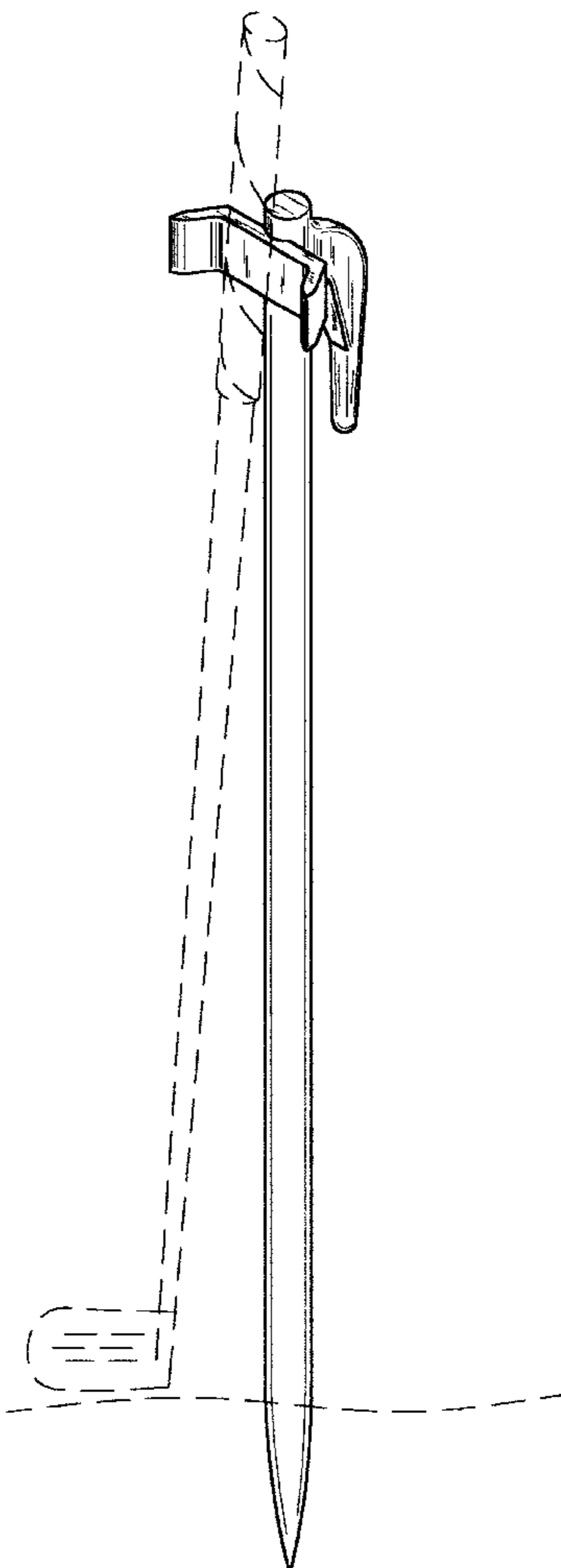
The broken line showing a golf club is FIG. 6 is for illustrative purposes only and forms no part of the claimed design.

(56) **References Cited**

**U.S. PATENT DOCUMENTS**

D318,090 S	*	7/1991	Bahns	.....	D21/796
D344,645 S	*	3/1994	Yarbray	.....	D6/417
D363,849 S	*	11/1995	Bruns et al.	.....	D6/552
D396,970 S	*	8/1998	Grindstaff	.....	D6/417
5,820,479 A	*	10/1998	Cline et al.	.....	473/282
D405,292 S	*	2/1999	Reese	.....	D6/417

**1 Claim, 3 Drawing Sheets**



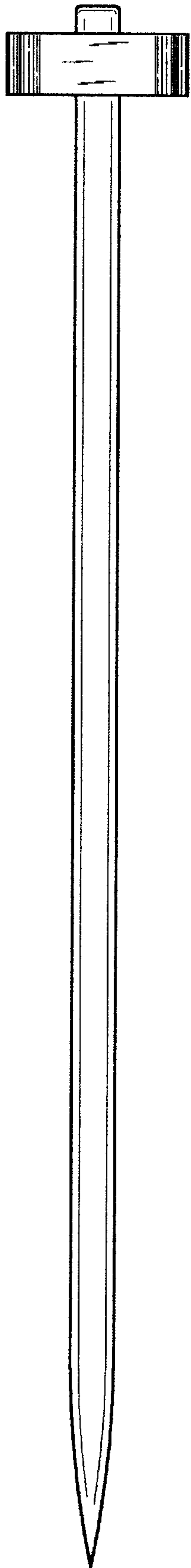


FIG. 1

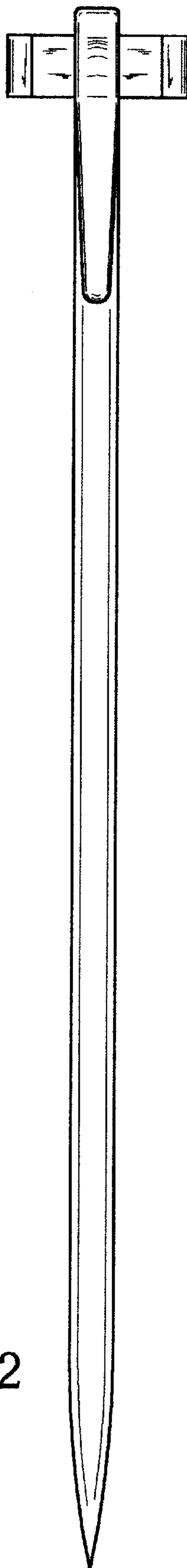


FIG. 2

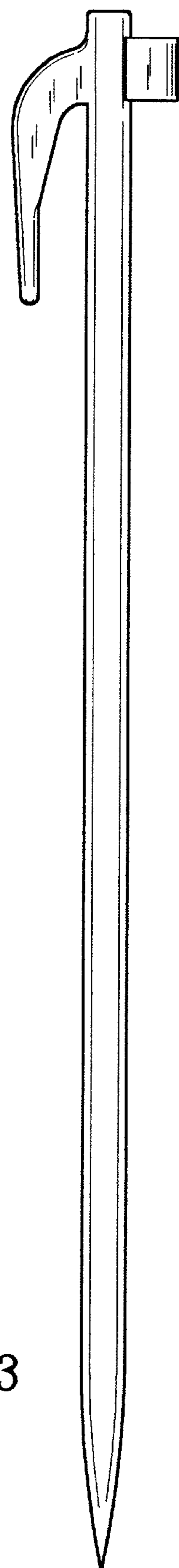


FIG. 3

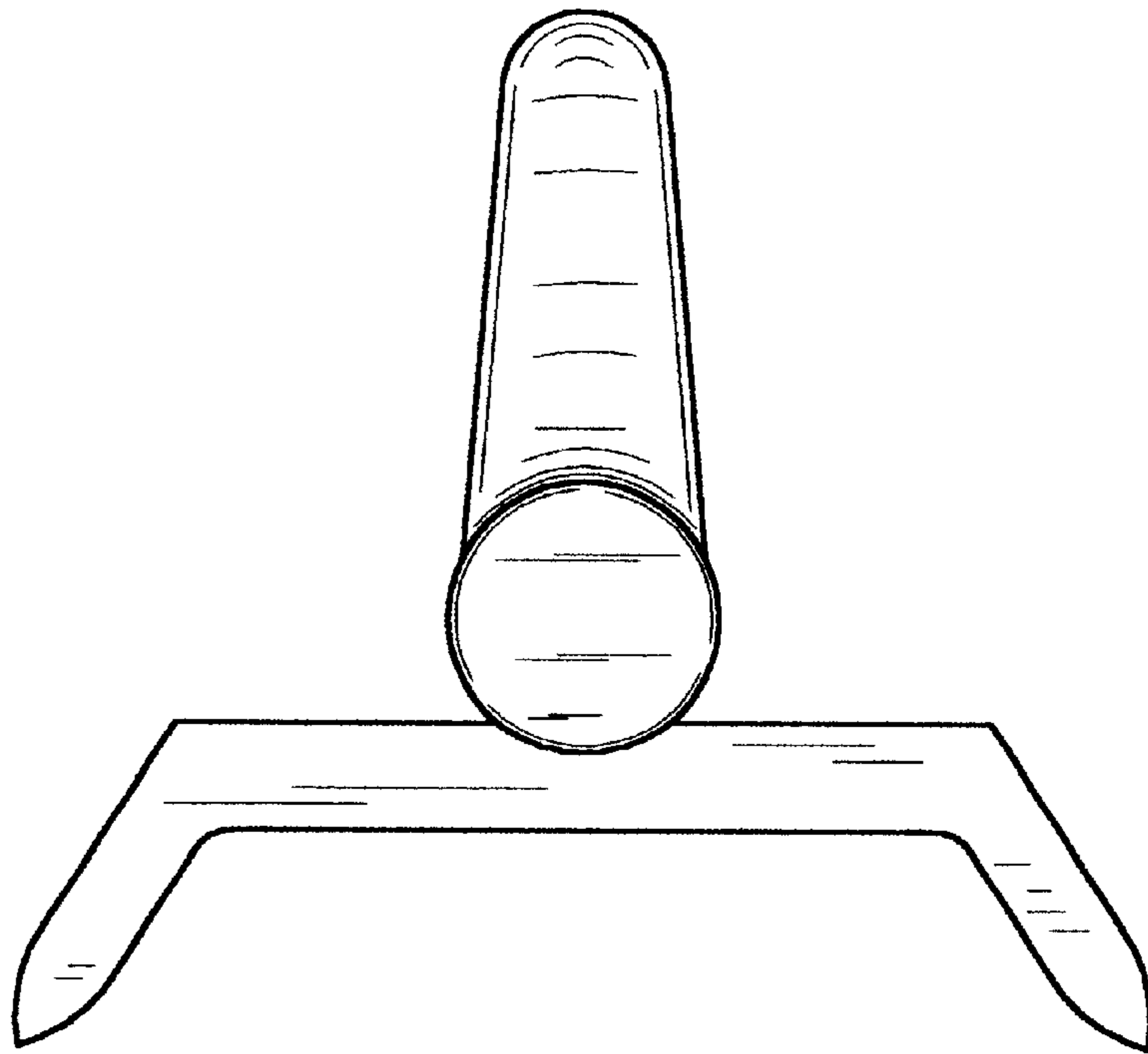


FIG. 4

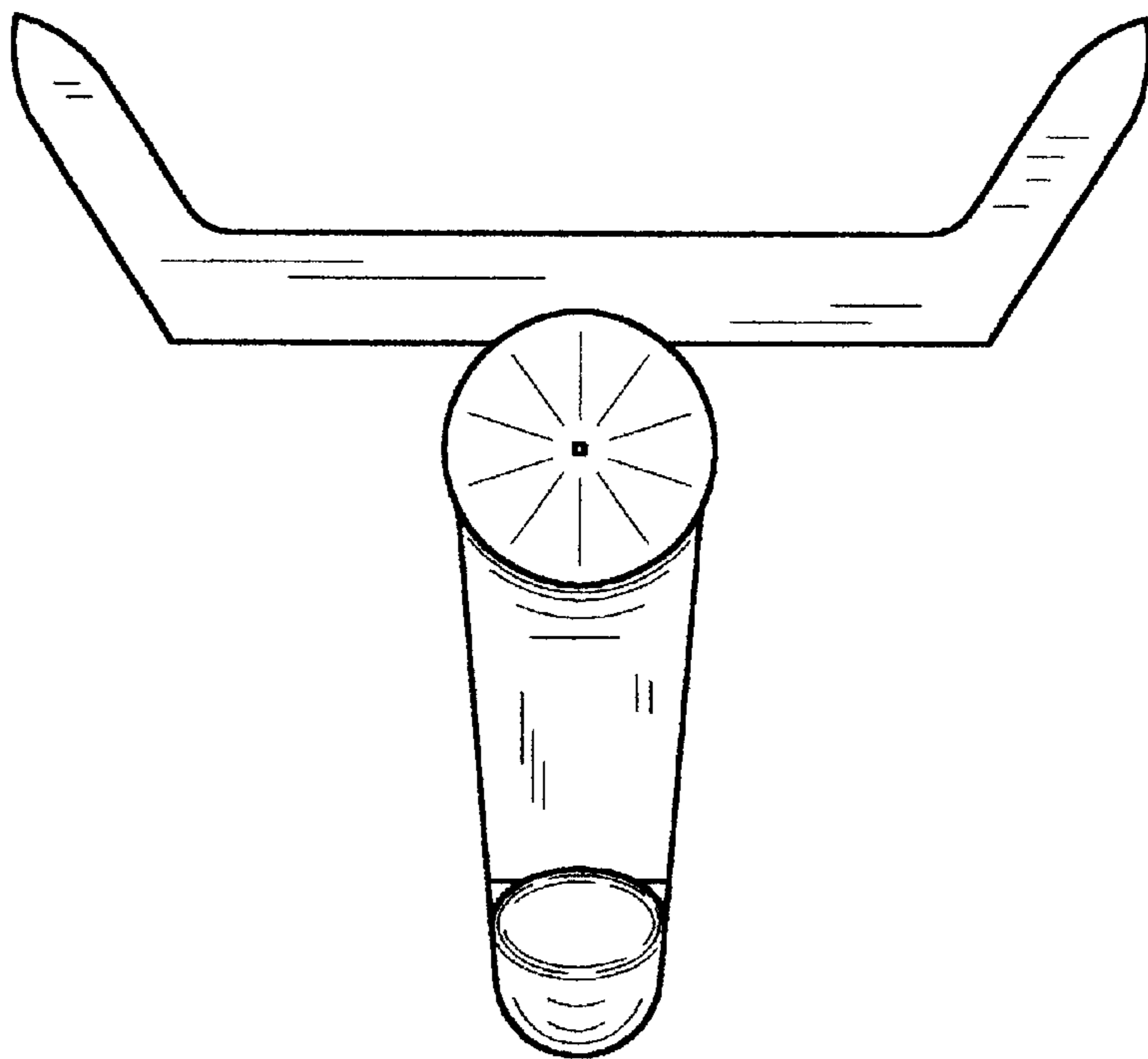


FIG. 5

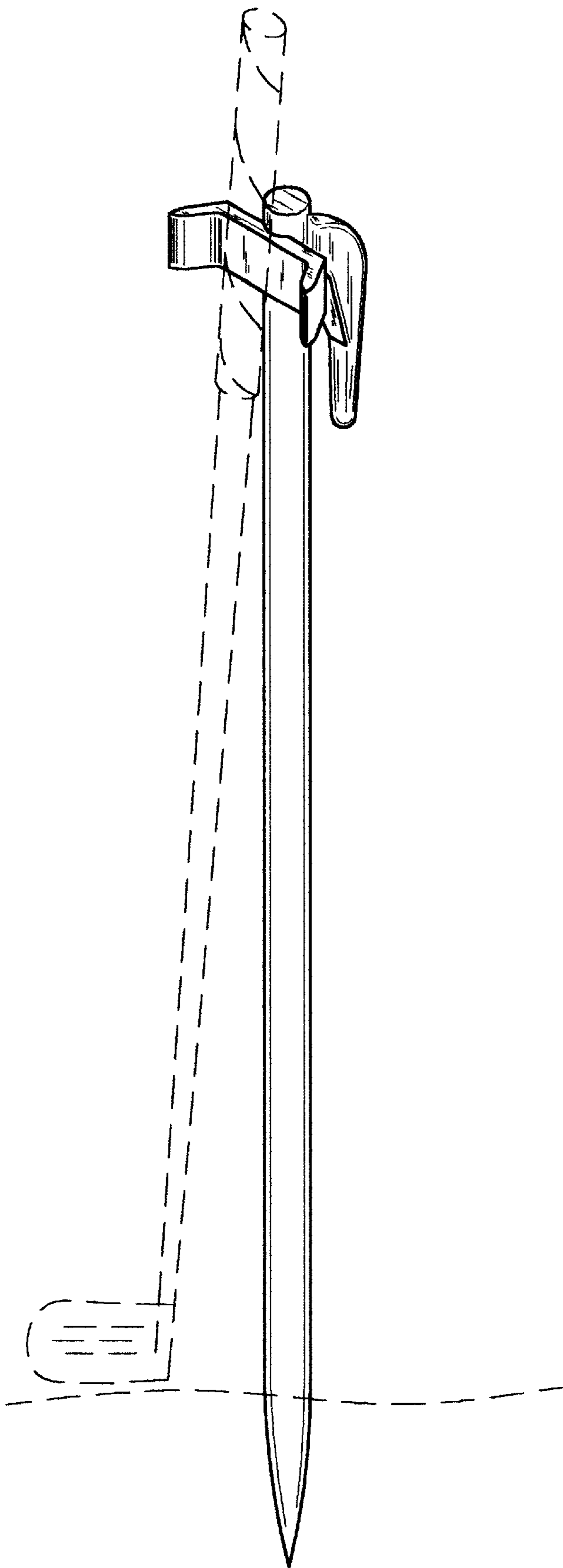


FIG. 6