



US00D475862S

(12) **United States Design Patent**  
**McDaniel et al.**

(10) **Patent No.:** **US D475,862 S**  
(45) **Date of Patent:** **\*\* Jun. 17, 2003**

(54) **BED**

D466,343 S \* 12/2002 Cain ..... D6/505

(75) Inventors: **Thomas M. McDaniel**, Morganton, NC (US); **D. Scott Coley**, Morganton, NC (US)

(73) Assignee: **Bernhardt, L.L.C.**, Lenoir, NC (US)

(\*\*) Term: **14 Years**

(21) Appl. No.: **29/169,163**

(22) Filed: **Oct. 15, 2002**

(51) **LOC (7) Cl.** ..... **06-01**

(52) **U.S. Cl.** ..... **D6/393**

(58) **Field of Search** ..... D6/382, 392-395,  
D6/389, 505-508; 5/53.1, 279.1, 280, 281,  
907

(56) **References Cited**

**U.S. PATENT DOCUMENTS**

- D443,433 S \* 6/2001 McDaniel et al. .... D6/393
- D448,947 S \* 10/2001 McDaniel et al. .... D6/389
- D449,939 S \* 11/2001 Vaaler ..... D6/393
- D466,329 S \* 12/2002 Risdon ..... D6/393

**OTHER PUBLICATIONS**

Photocopy of a table; date and origin unknown.  
Photocopy of a chest; date and origin unknown.

\* cited by examiner

*Primary Examiner*—Janice E. Seeger

(74) *Attorney, Agent, or Firm*—MacCord Mason PLLC

(57) **CLAIM**

The ornamental design for a bed, as shown and described.

**DESCRIPTION**

FIG. 1 is a perspective view of a bed showing my new design;

FIG. 2 is a front view thereof;

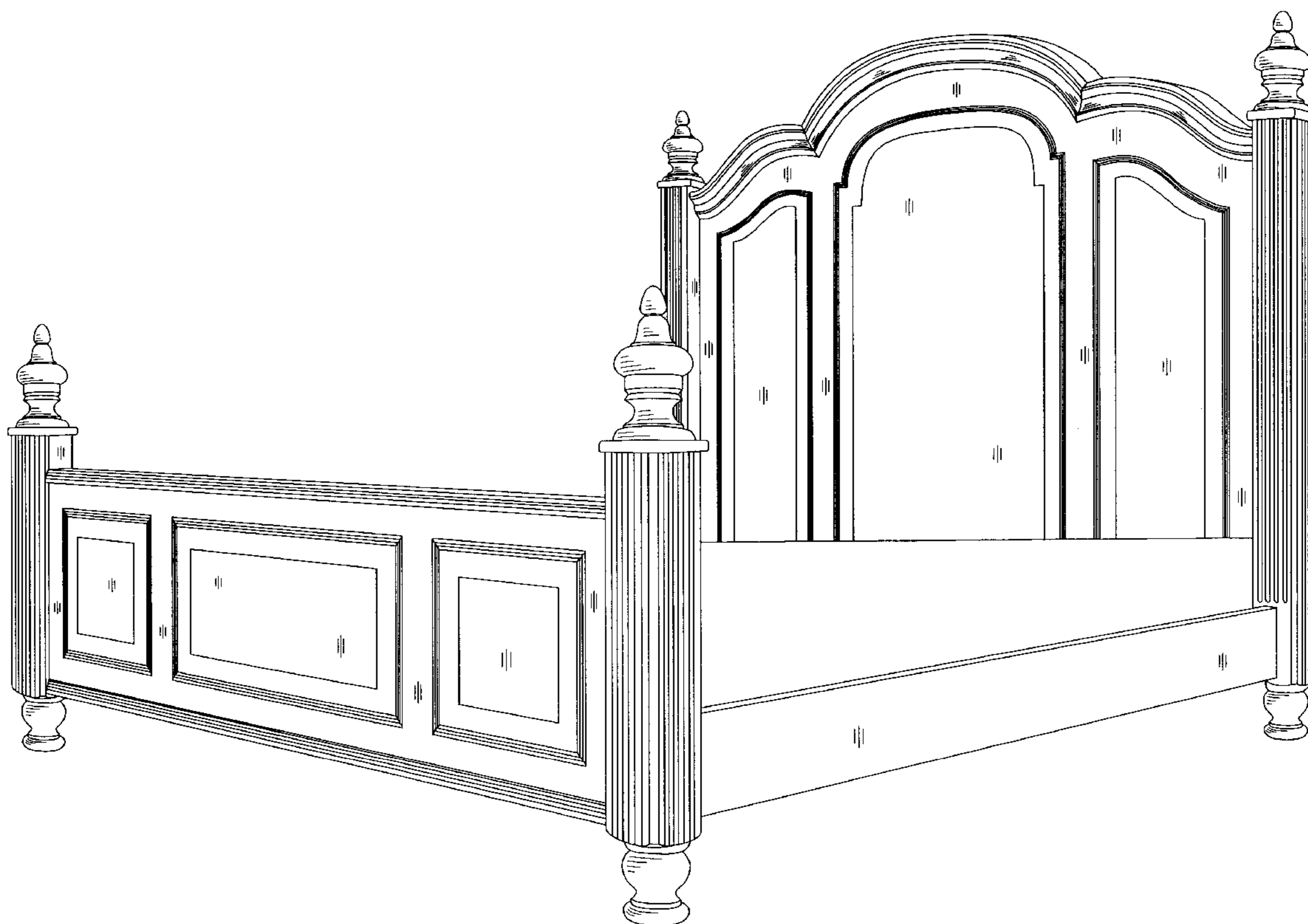
FIG. 3 is a front view from inside the headboard;

FIG. 4 is a front view of the footboard; and,

FIG. 5 is a side view, the opposite side being a mirror image thereof.

The broken lines in FIG. 3 are for illustrative purposes only and form no part of the claimed design.

**1 Claim, 5 Drawing Sheets**



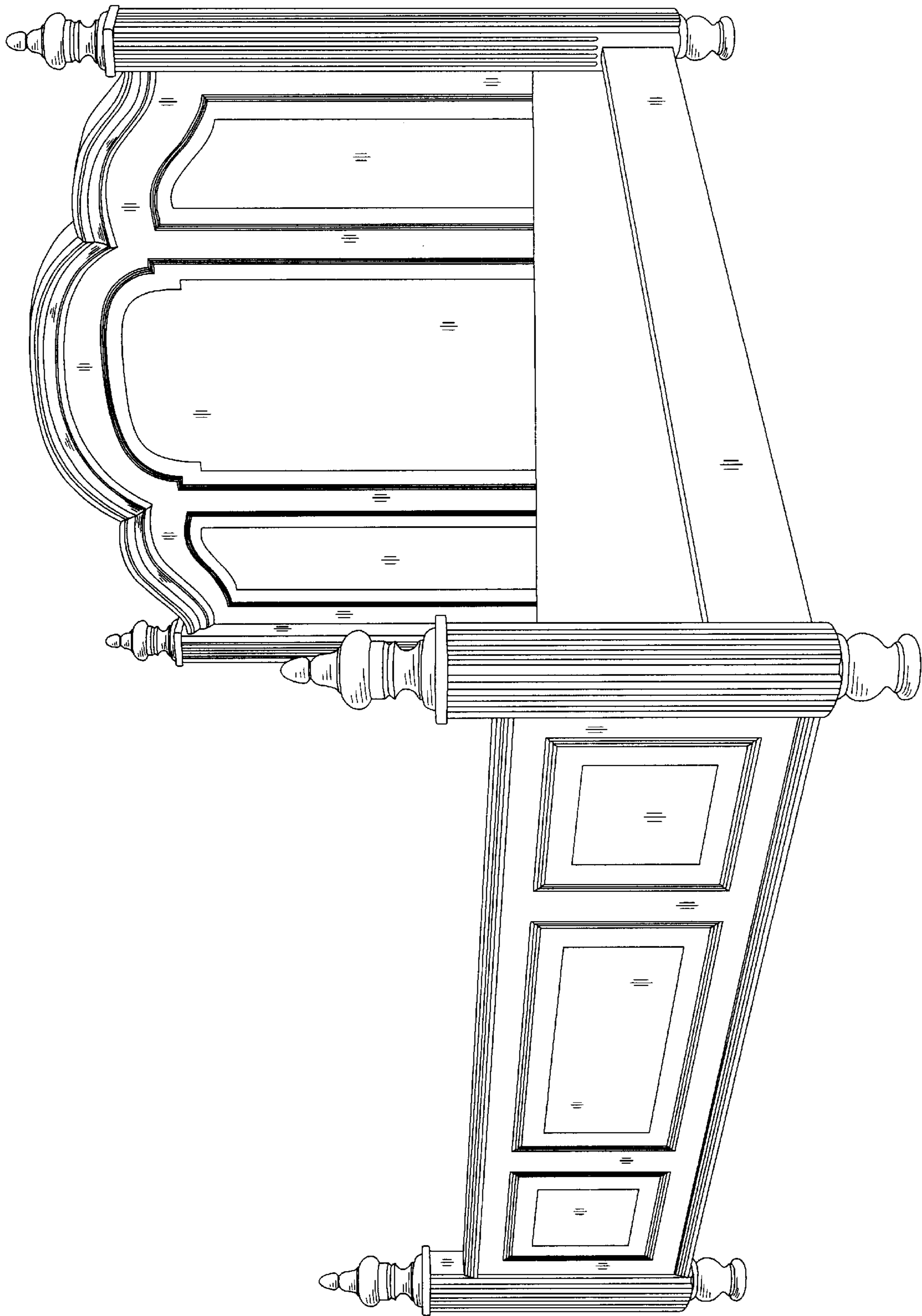


FIG. 1

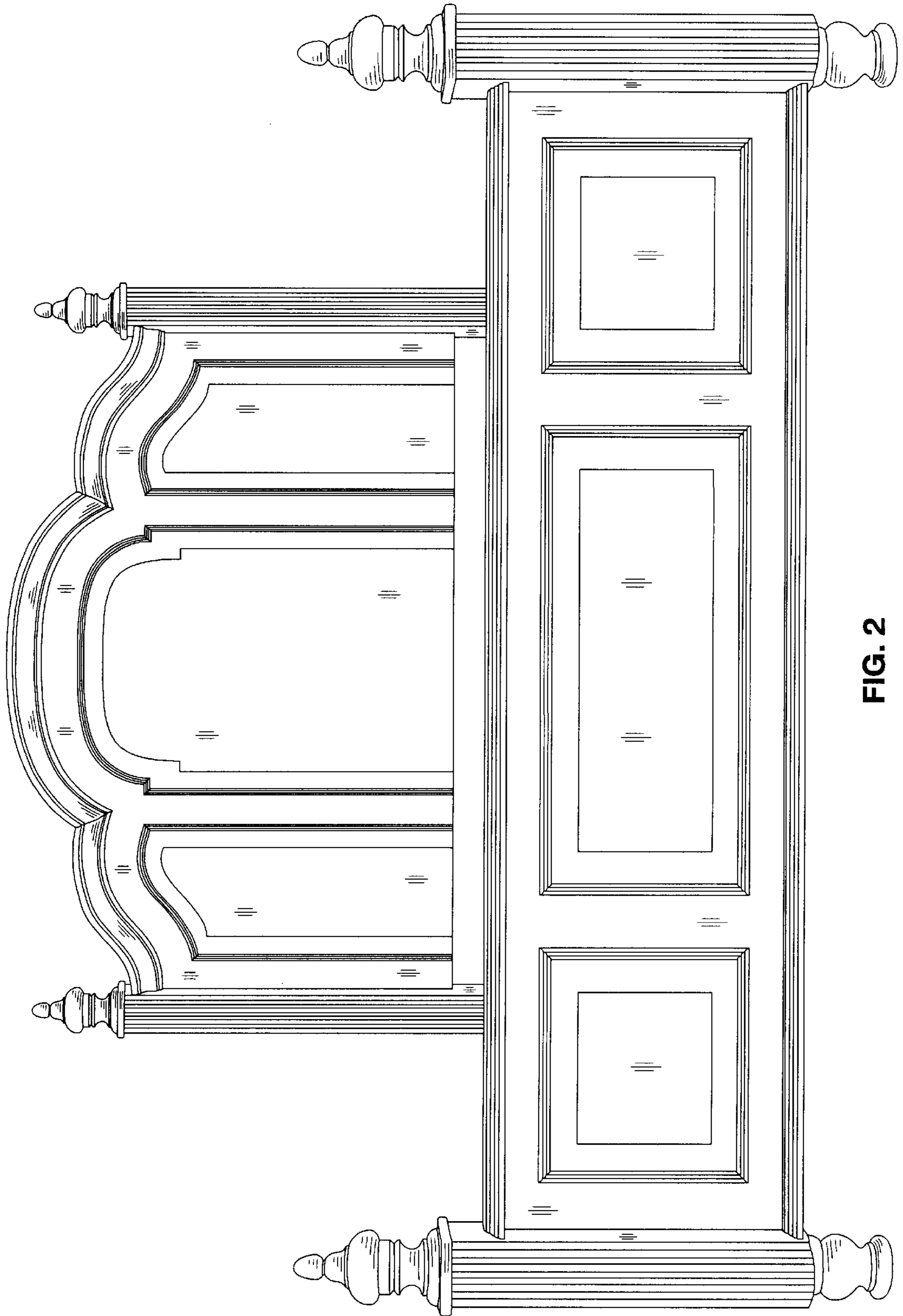


FIG. 2

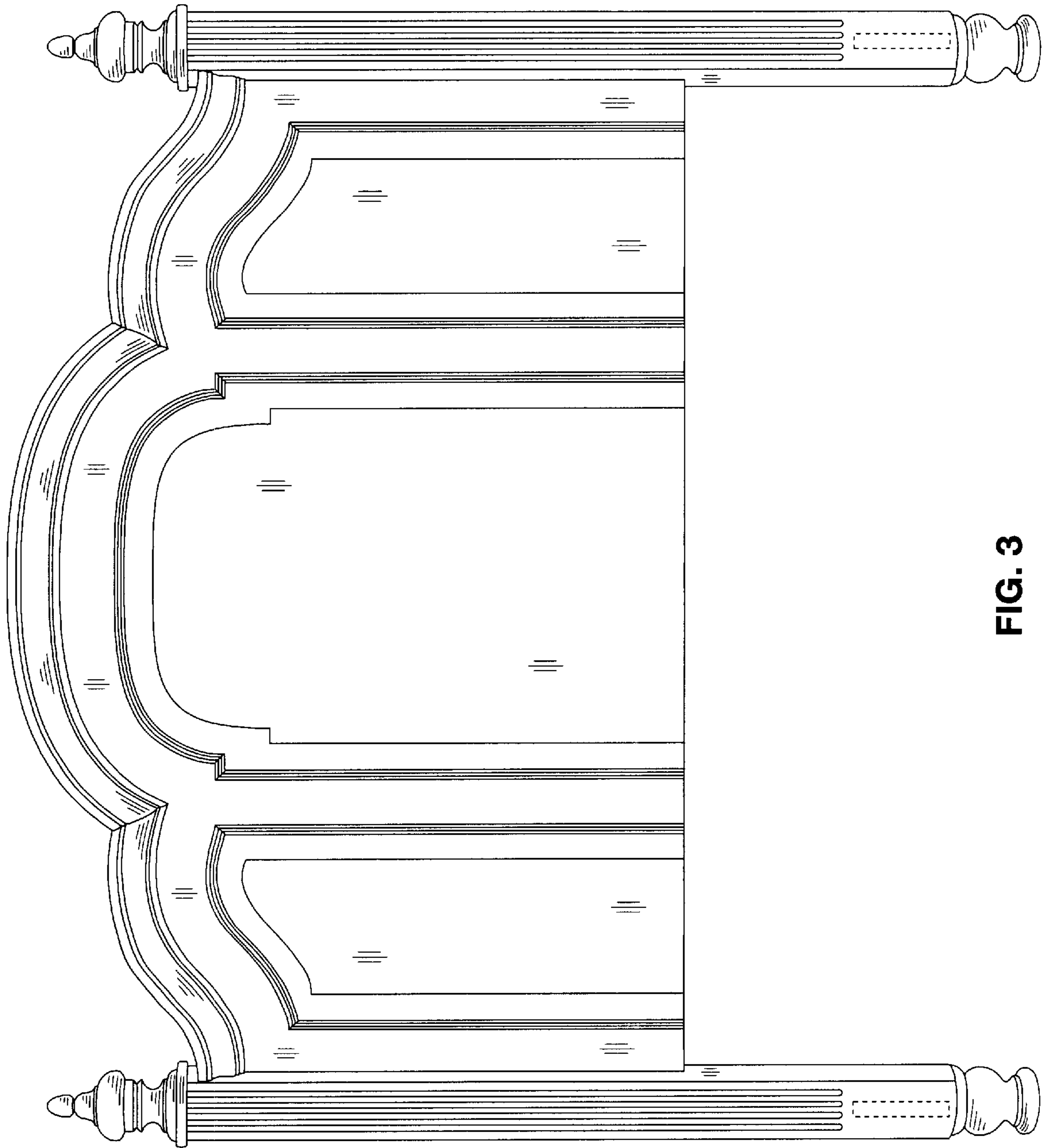


FIG. 3

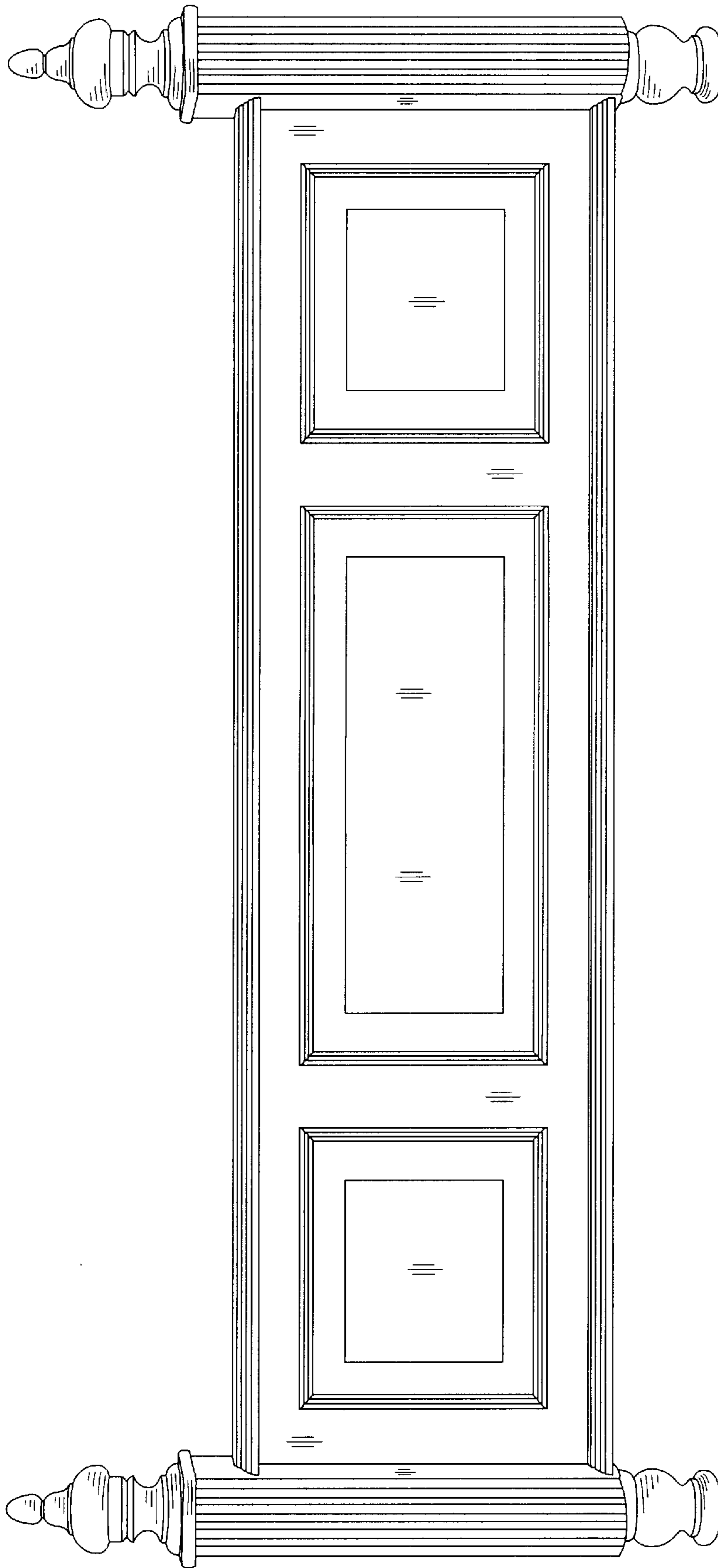


FIG. 4

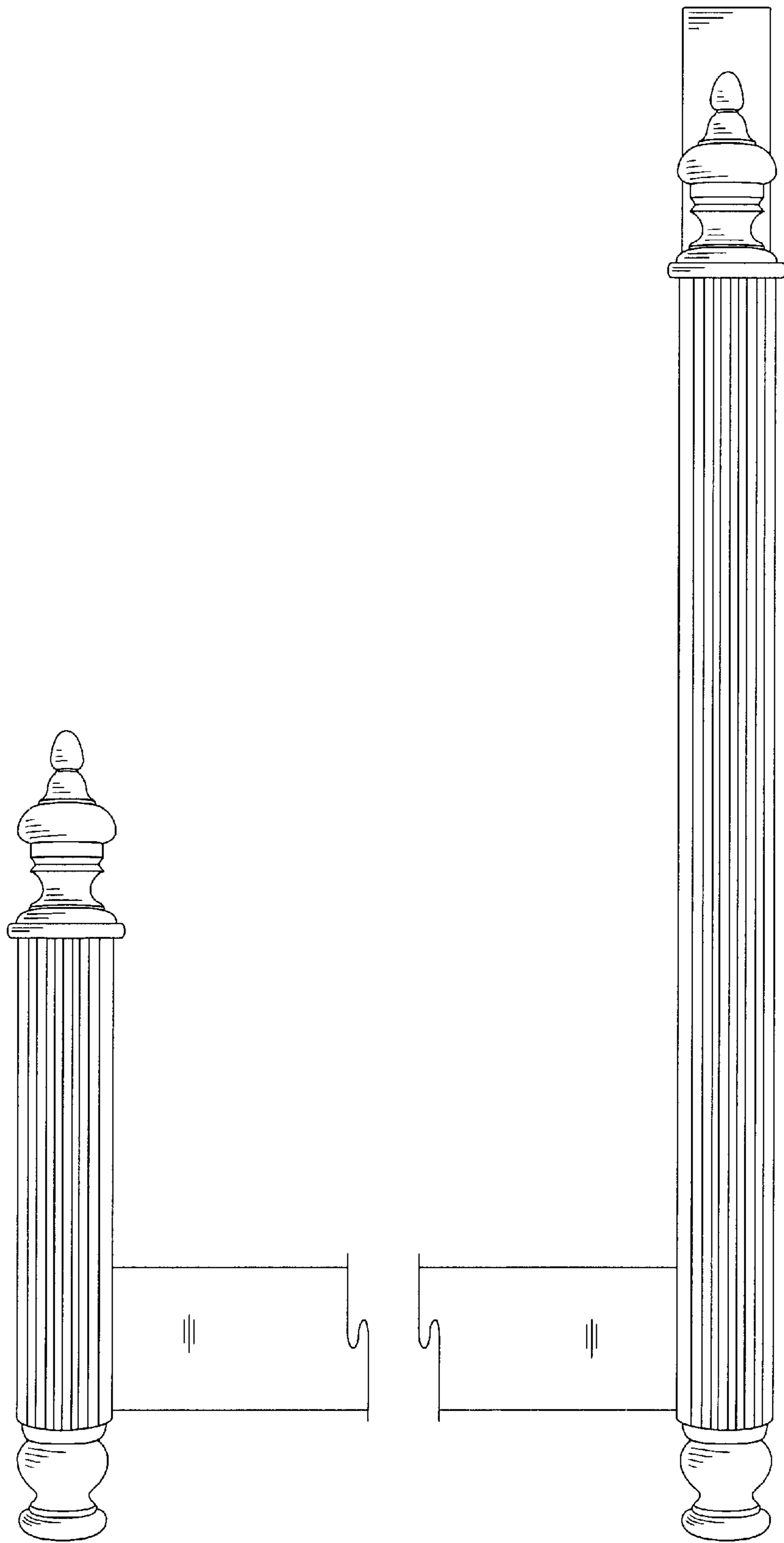


FIG. 5