



US00D475860S

(12) **United States Design Patent**
Yang

(10) **Patent No.:** **US D475,860 S**

(45) **Date of Patent:** **** Jun. 17, 2003**

(54) **LEISURE CHAIR STRUCTURE**

(76) Inventor: **Shu-Hui Yang**, No. 4, Lane 166, Chung Hua West Road, Chang Hua City (TW)

(**) Term: **14 Years**

(21) Appl. No.: **29/169,074**

(22) Filed: **Oct. 15, 2002**

(51) **LOC (7) Cl.** **06-01**

(52) **U.S. Cl.** **D6/367**

(58) **Field of Search** D6/334, 335, 348, D6/367, 368, 317, 372, 373, 374, 375, 376, 500-502; 297/16.1, 16.2, 19, 21, 22, 46, 50, 56, 452.12, 440.11

(56) **References Cited**

U.S. PATENT DOCUMENTS

- 2,723,712 A * 11/1955 Yellen 297/440.11
- D183,743 S * 10/1958 Howell D6/334
- D191,704 S * 11/1961 Stauffer D6/375
- D213,870 S * 4/1969 Hamilton D6/367
- 4,421,356 A * 12/1983 Singer 297/16.1

- 6,332,646 B1 * 12/2001 Tseng 297/16.1
- 6,447,057 B1 * 9/2002 Chen 297/16.2

* cited by examiner

Primary Examiner—Doris V. Coles

Assistant Examiner—Mimosa De

(74) *Attorney, Agent, or Firm*—Harrison & Egbert

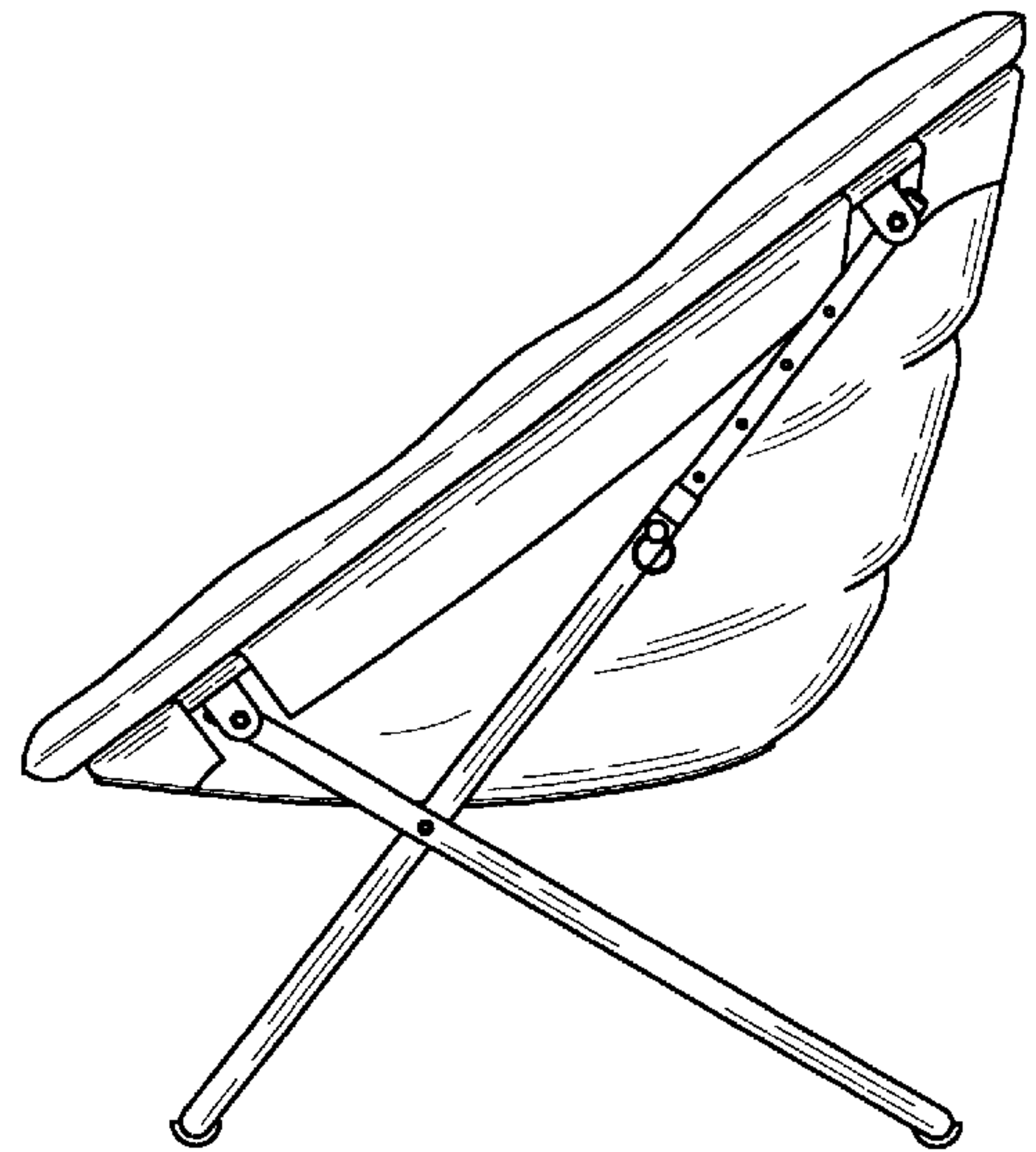
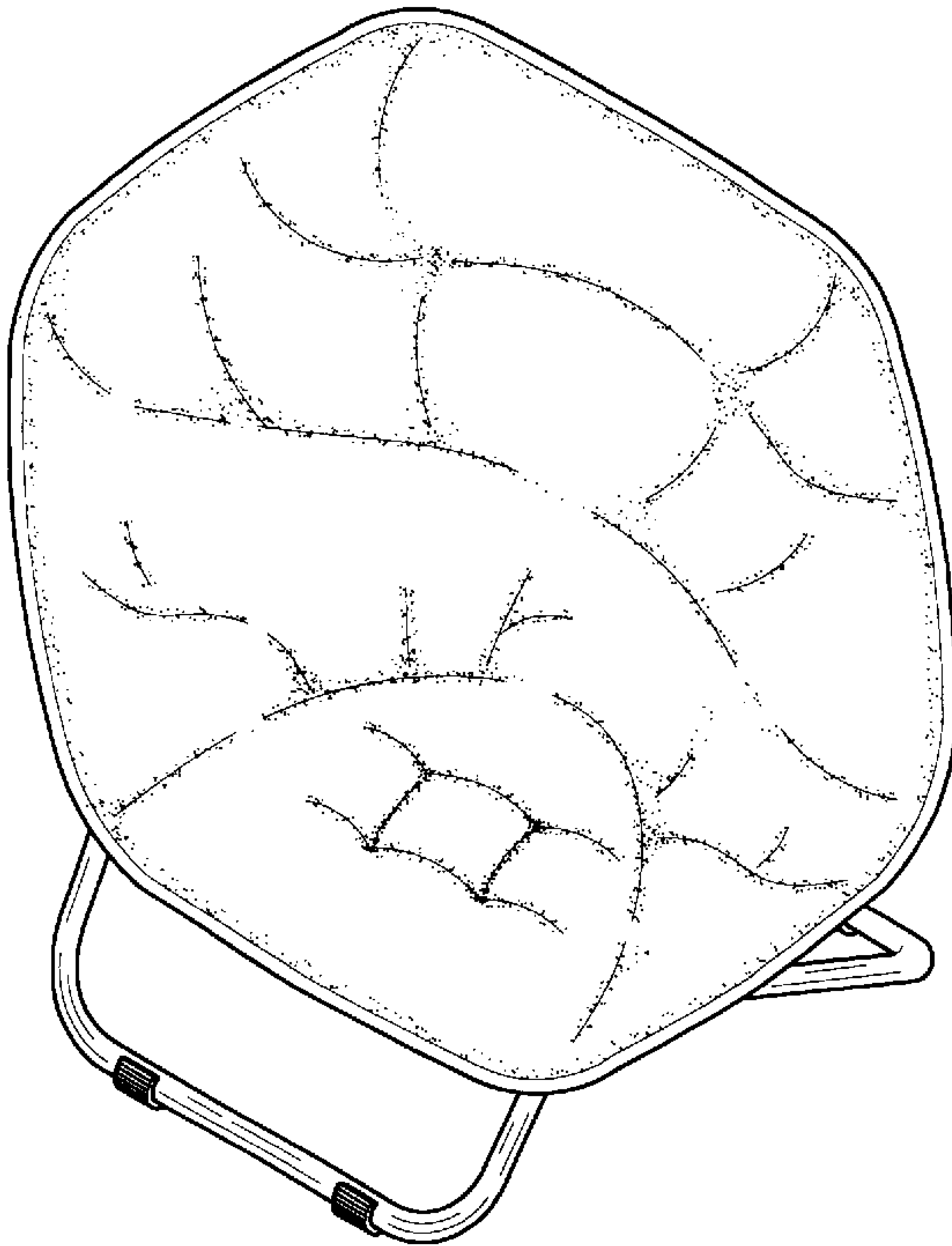
(57) **CLAIM**

I claim the ornamental design for a leisure chair structure, as shown and described.

DESCRIPTION

FIG. 1 is an upper perspective view of the leisure chair structure showing my design.
 FIG. 2 is a front view thereof;
 FIG. 3 is a back view thereof;
 FIG. 4 is a side view thereof;
 FIG. 5 is an opposite side view thereof;
 FIG. 6 is a top view thereof;
 FIG. 7 is a bottom view thereof; and,
 FIG. 8 is a rear upper perspective view thereof.

1 Claim, 5 Drawing Sheets



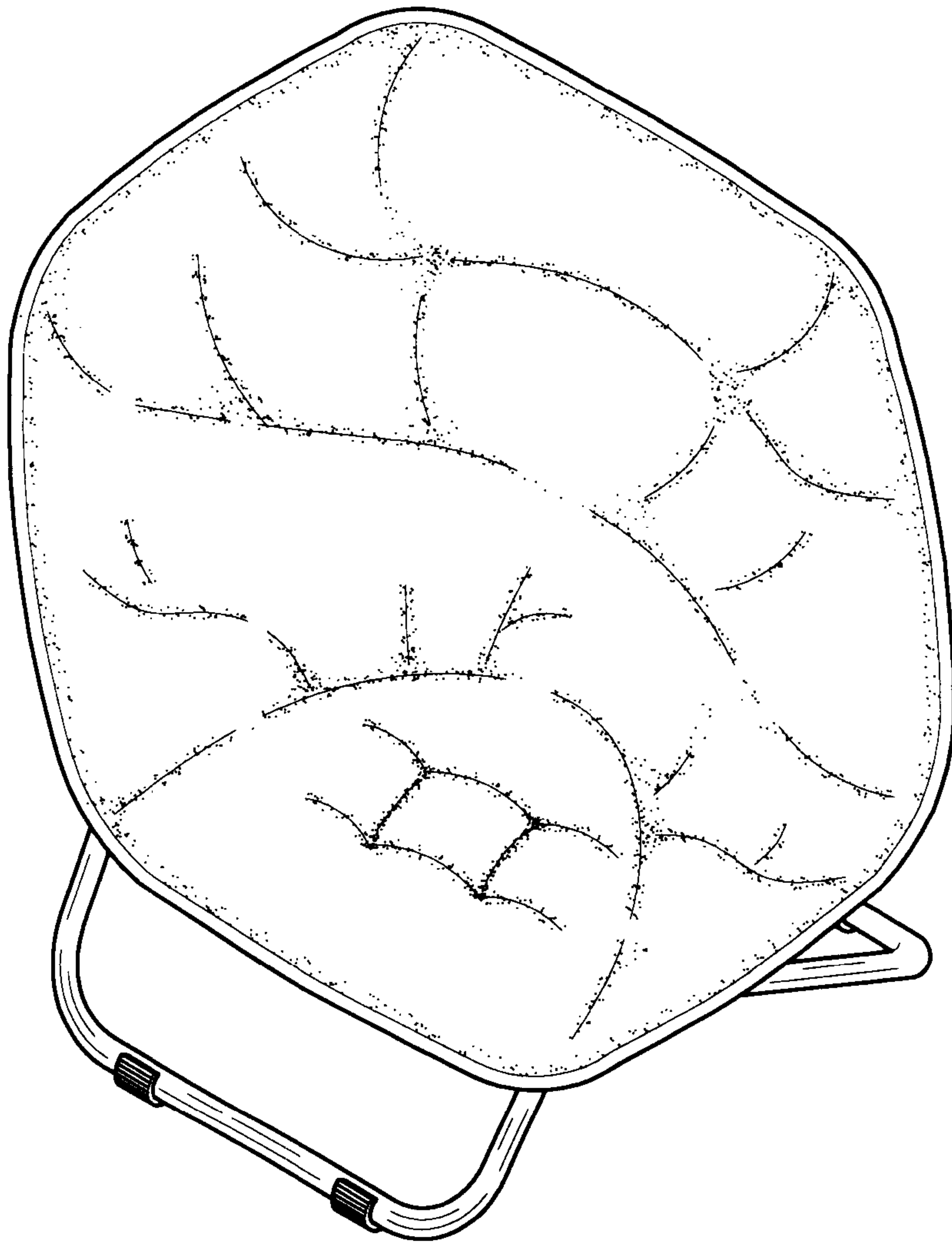


FIG. 1

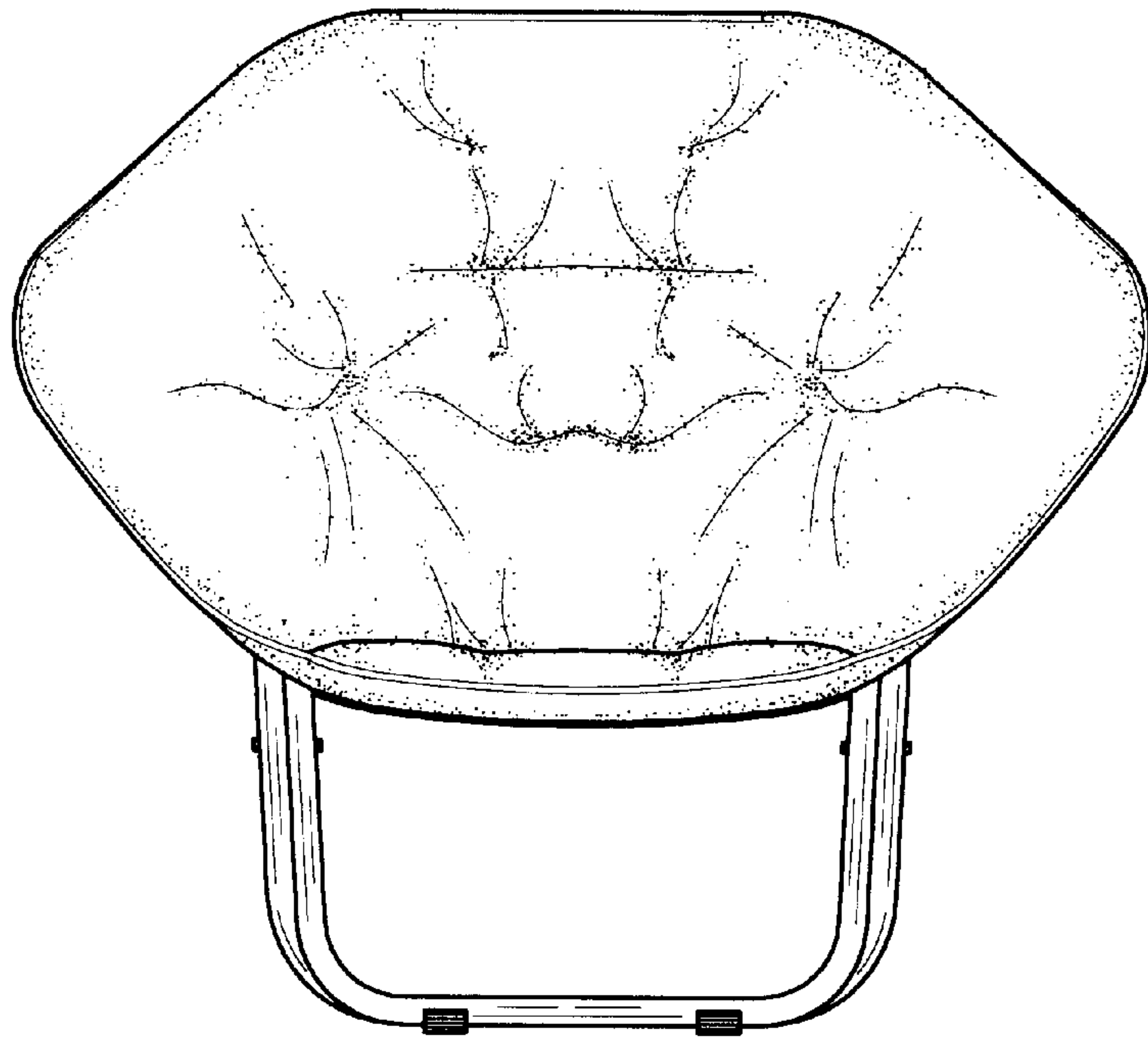


FIG. 2

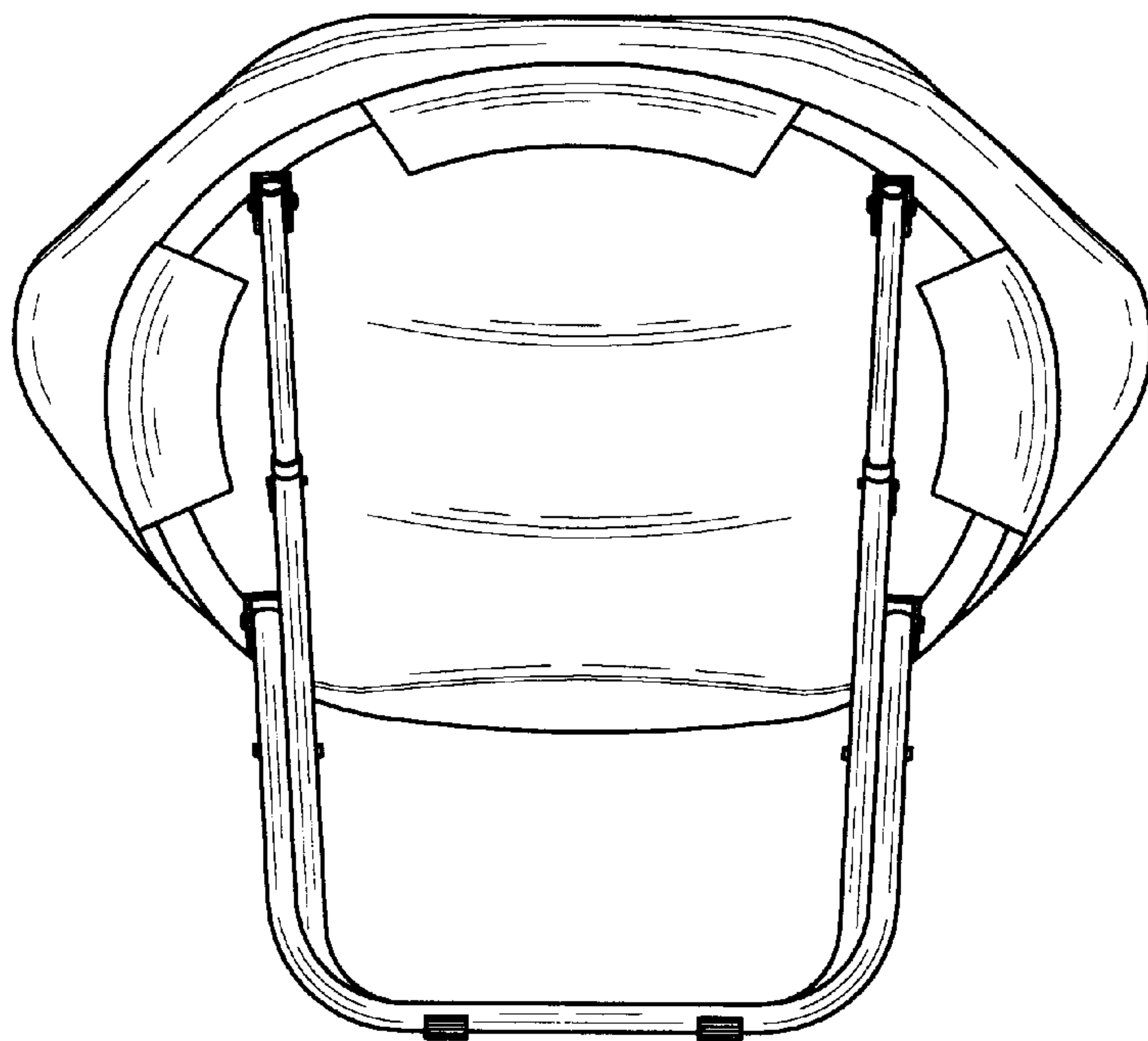


FIG. 3

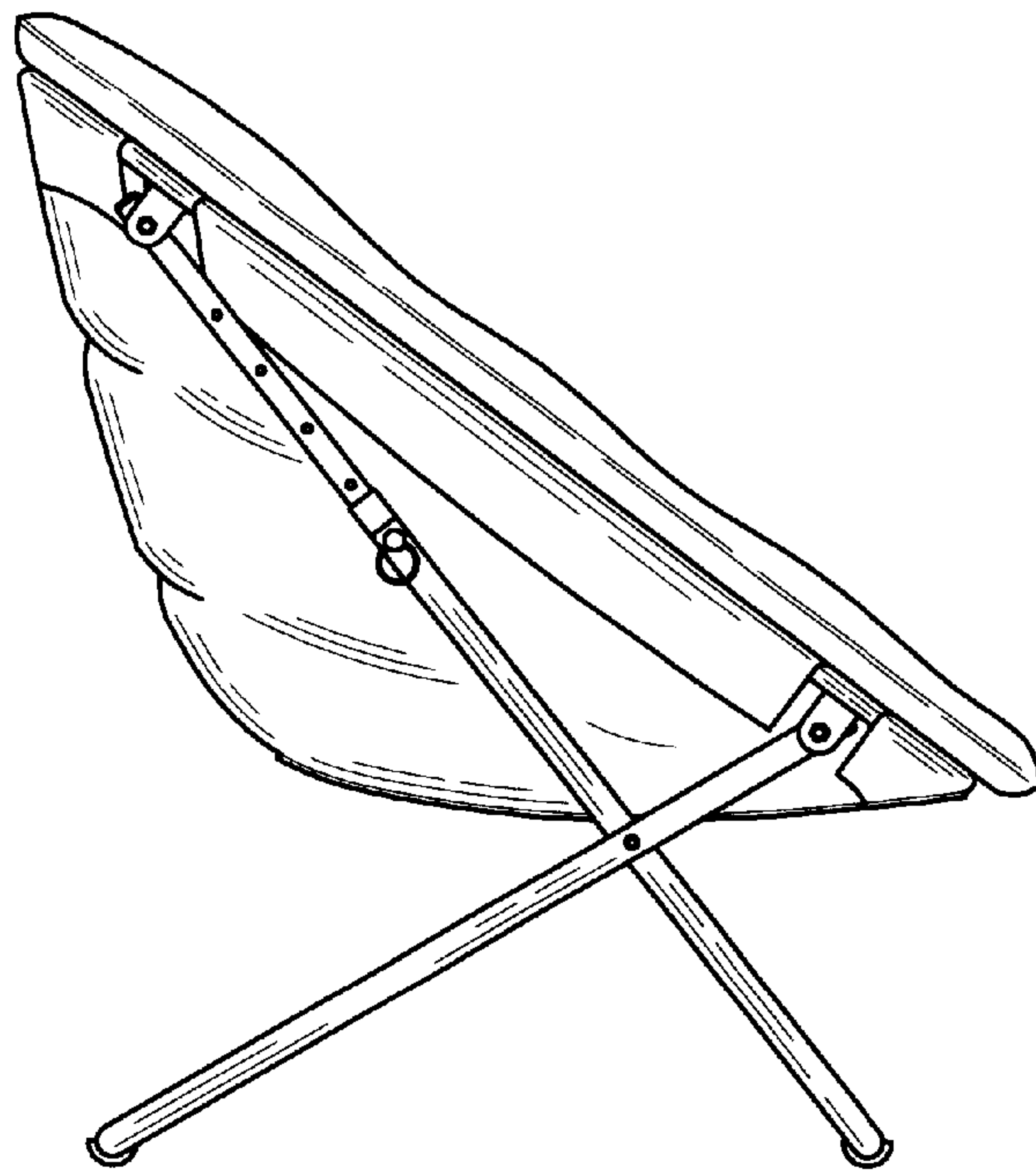


FIG. 4

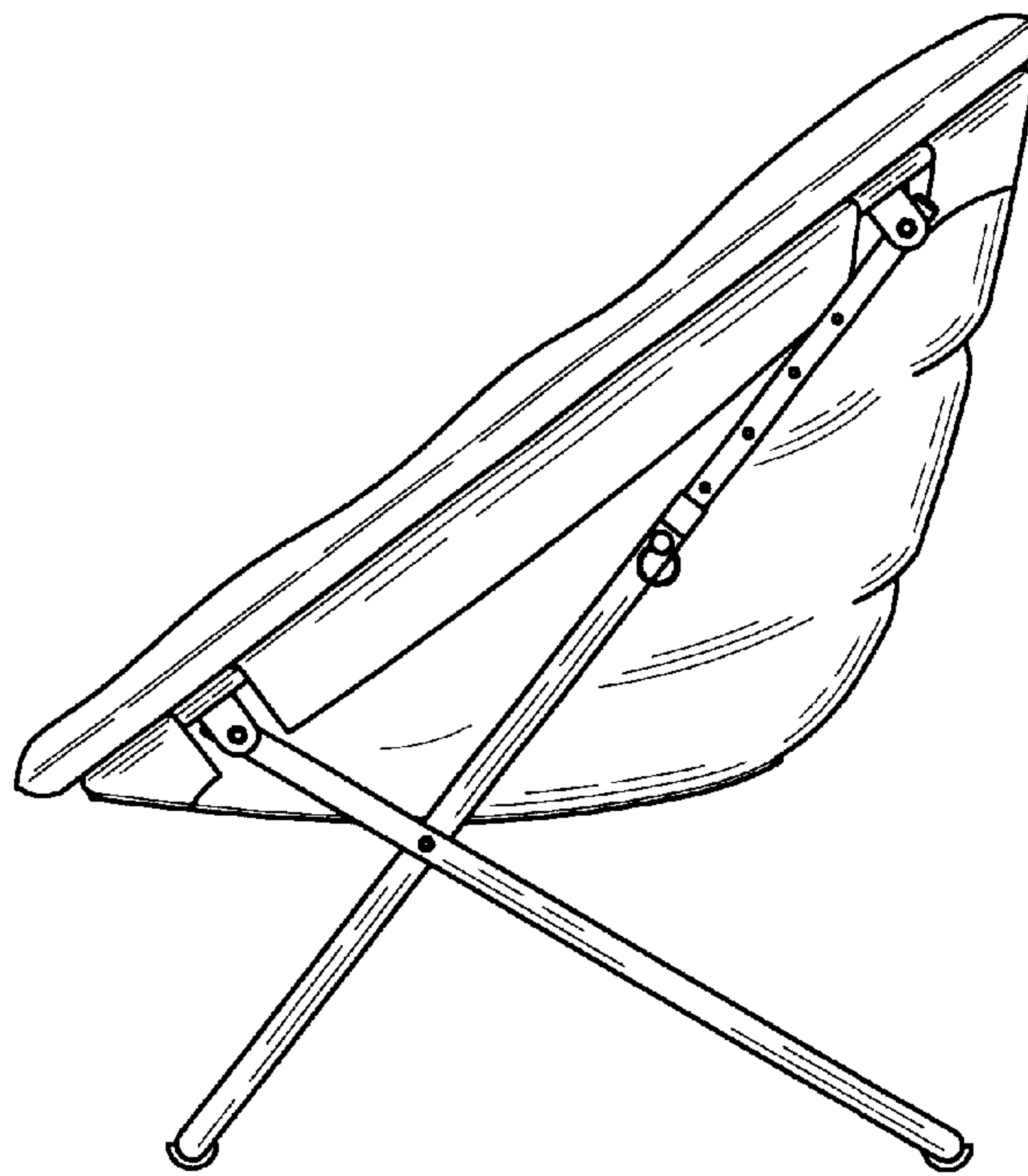


FIG. 5

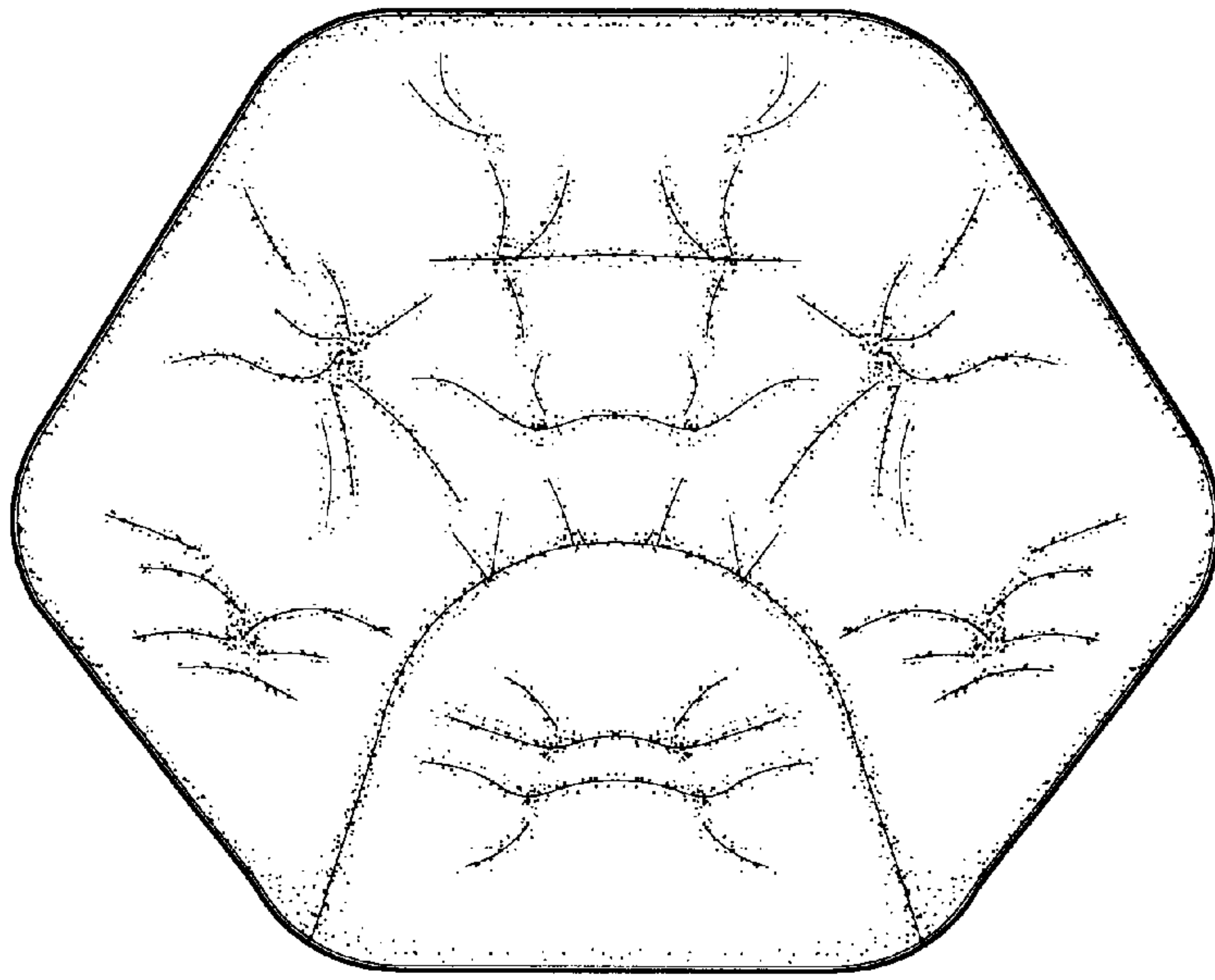


FIG. 6

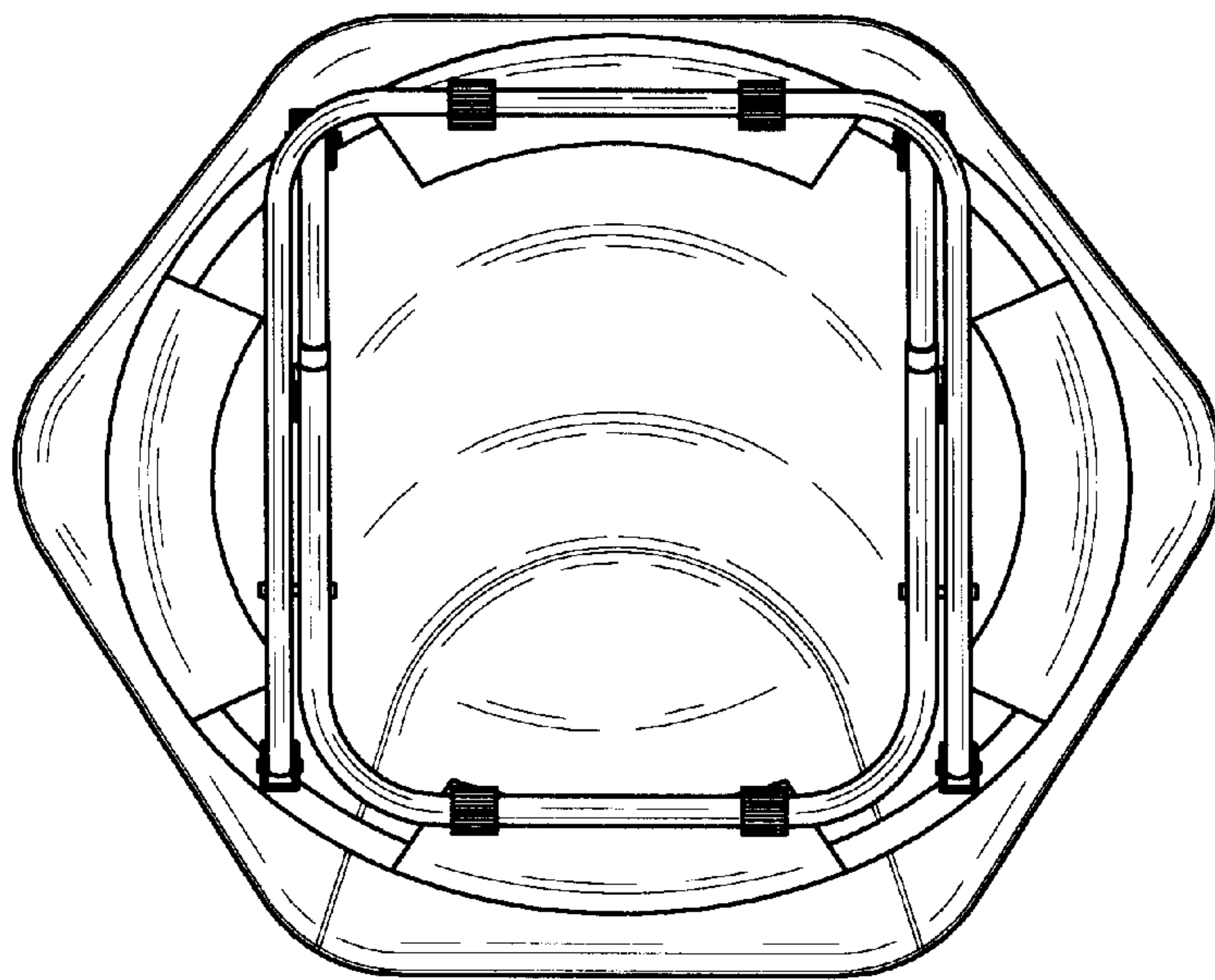


FIG. 7



FIG. 8