



US00D475859S

(12) **United States Design Patent**
Kryger

(10) **Patent No.:** **US D475,859 S**

(45) **Date of Patent:** **** Jun. 17, 2003**

(54) **CHAIR**

(75) **Inventor:** **Mogens Kryger, Odense (DK)**

(73) **Assignee:** **Tinby A/S, Sonderso (DK)**

(**) **Term:** **14 Years**

(21) **Appl. No.:** **29/151,040**

(22) **Filed:** **Nov. 1, 2001**

(30) **Foreign Application Priority Data**

May 1, 2001 (DK) MA 2001 00473

(51) **LOC (7) Cl. 06-01**

(52) **U.S. Cl. D6/366**

(58) **Field of Search** D6/334, 364, 365,
D6/366, 367, 500, 501, 502; 297/411.2,
DIG. 2

(56) **References Cited**

U.S. PATENT DOCUMENTS

D112,348 S * 11/1938 O'Connor D6/502

D114,903 S * 5/1939 O'Connor D6/502
D218,419 S * 8/1970 Nightingale D6/366
D273,729 S * 5/1984 Pelly et al. D6/366
D295,925 S * 5/1988 Uredat-Neuhoff D6/366
D358,515 S * 5/1995 Adat et al. D6/502
D394,961 S * 6/1998 Fancelli D6/366
D446,955 S * 8/2001 Zemp D6/366

* cited by examiner

Primary Examiner—Gary D. Watson

(74) *Attorney, Agent, or Firm*—Darby & Darby

(57) **CLAIM**

The ornamental design for a chair, as shown and described.

DESCRIPTION

FIG. 1 is a perspective view of a chair showing my new design;

FIG. 2 is a front view of the chair as shown in FIG. 1;

FIG. 3 is a left-side view of the chair as shown in FIG. 1;

FIG. 4 is a rear view of the chair as shown in FIG. 1; and,

FIG. 5 is a top view of the chair.

1 Claim, 5 Drawing Sheets

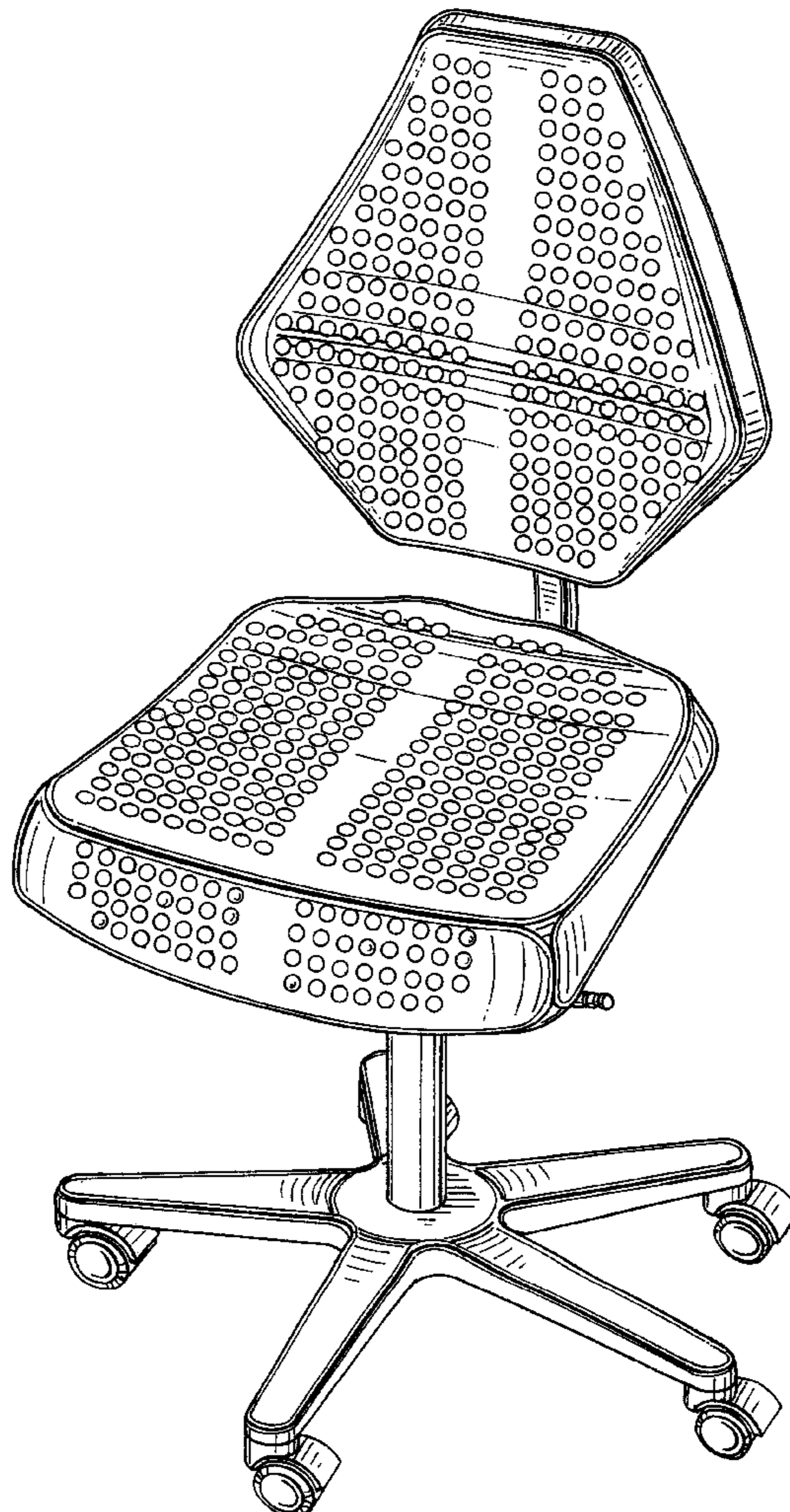


FIG. 1

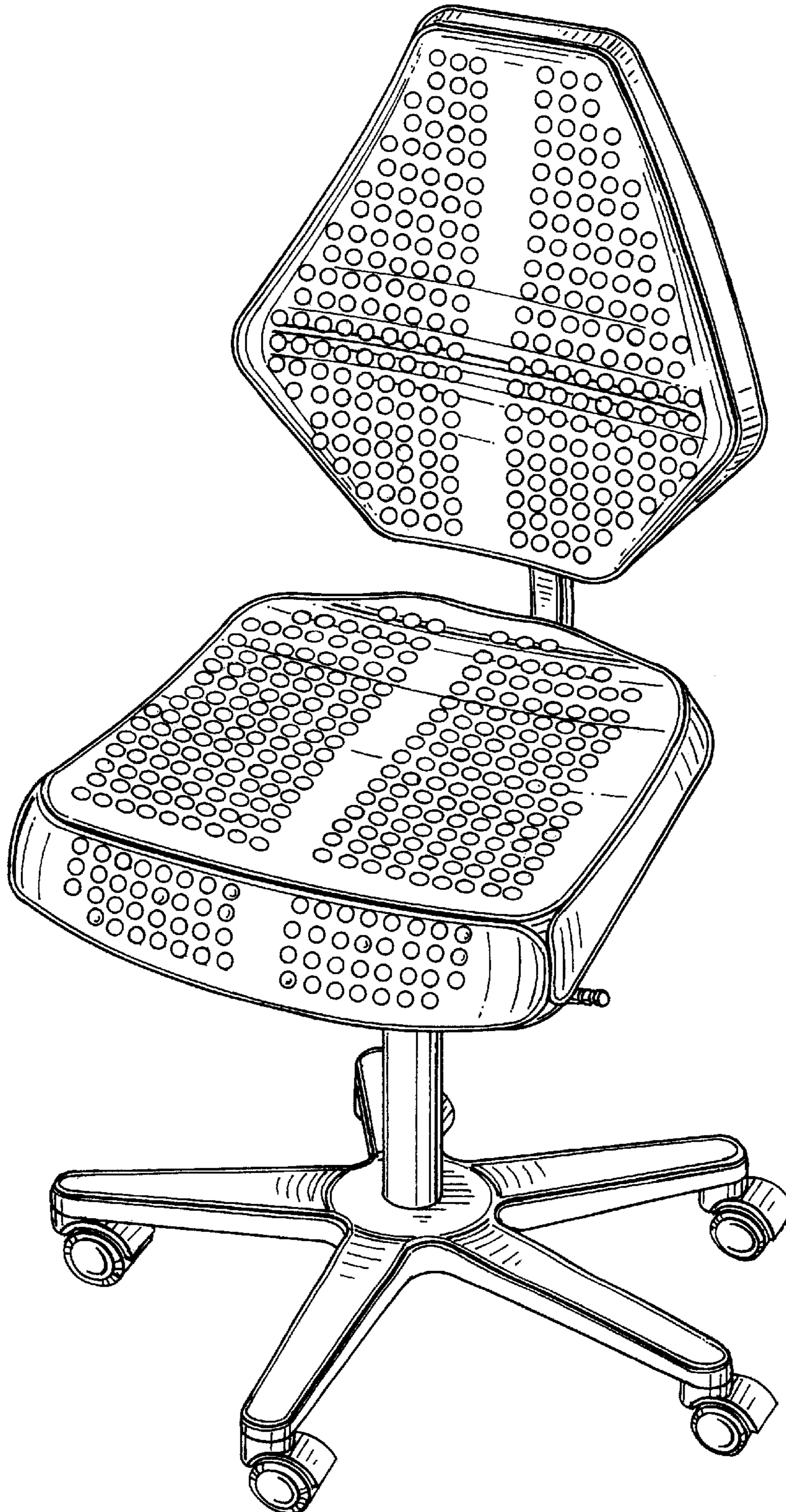


FIG. 2

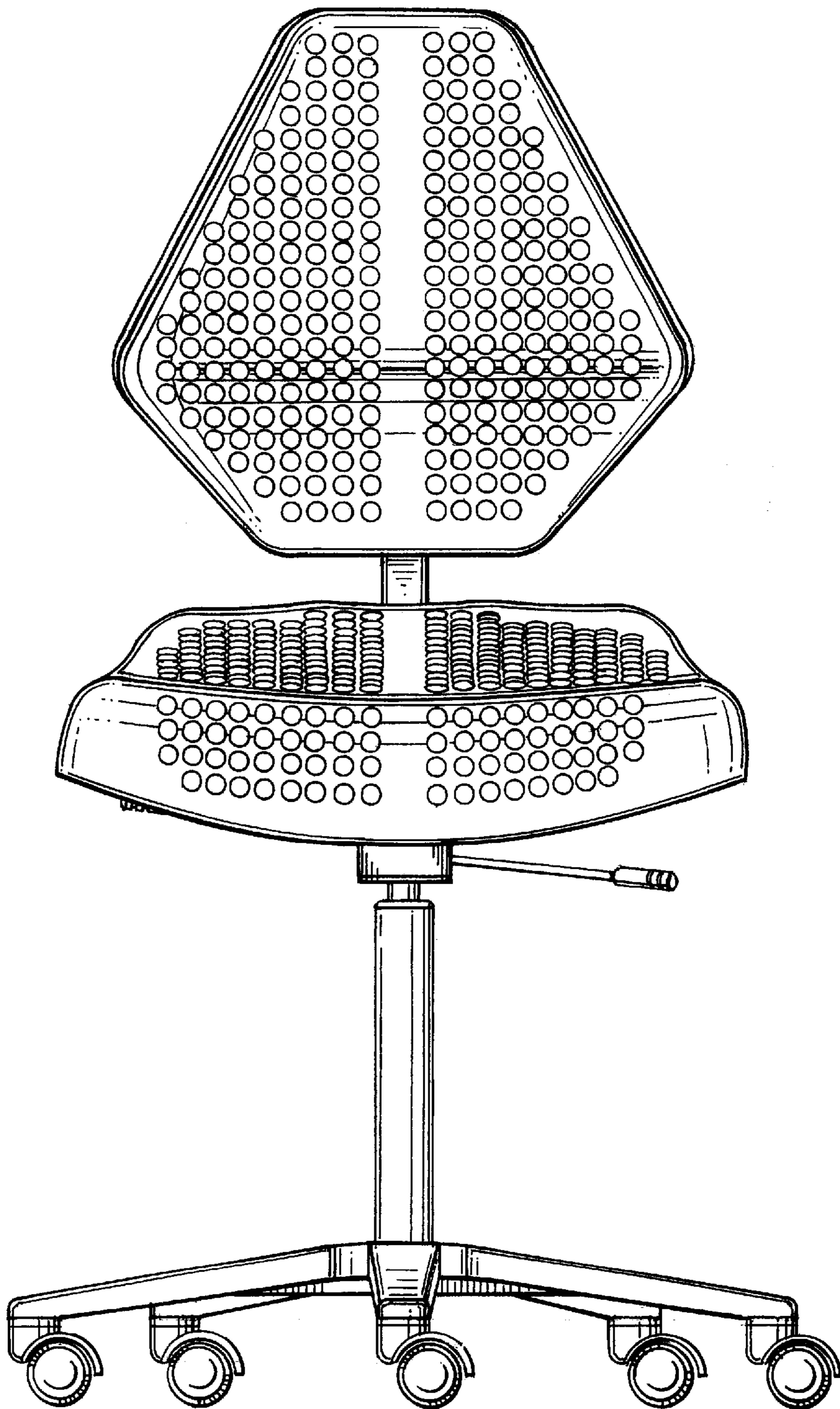


FIG. 3

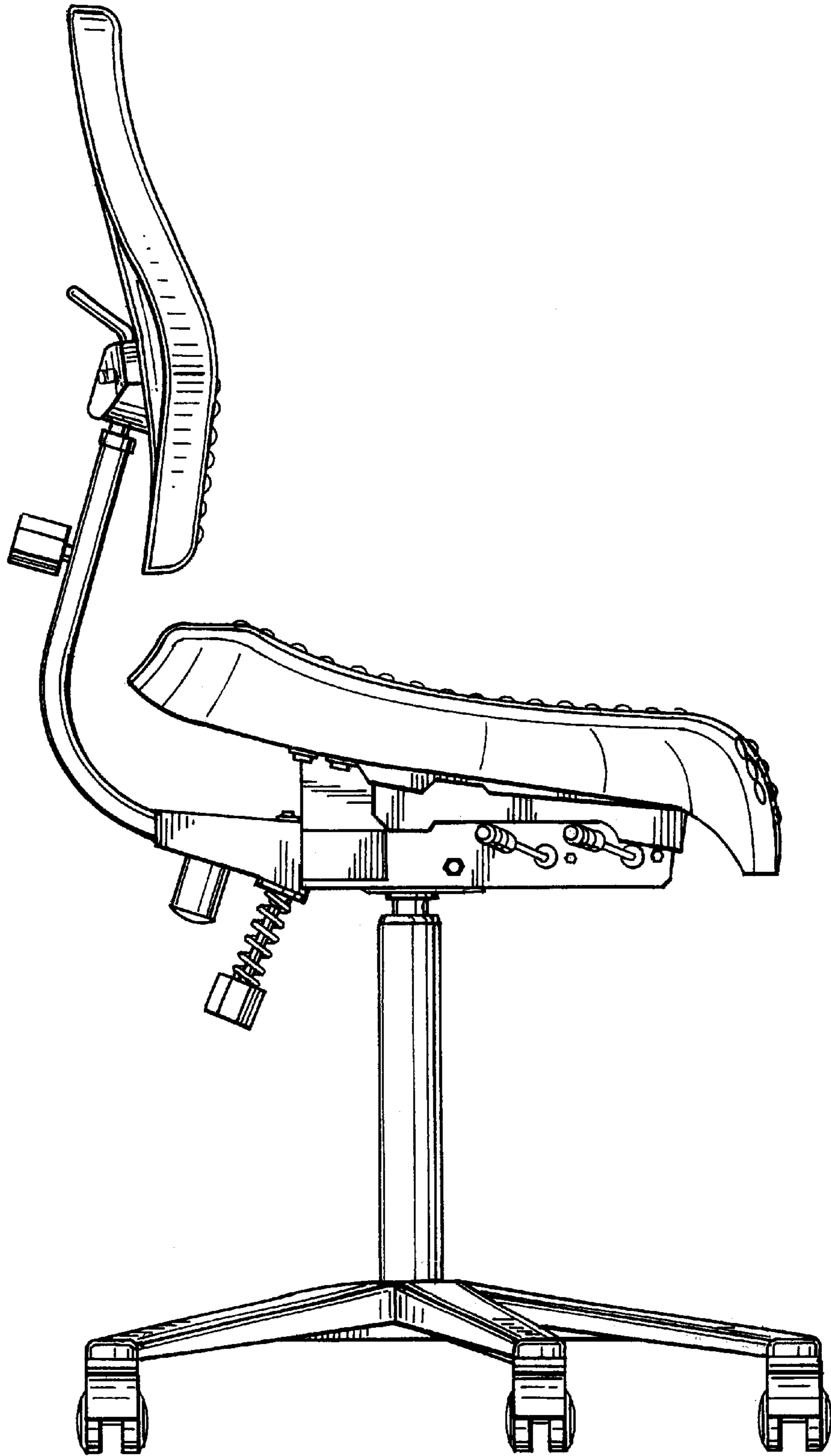


FIG. 4

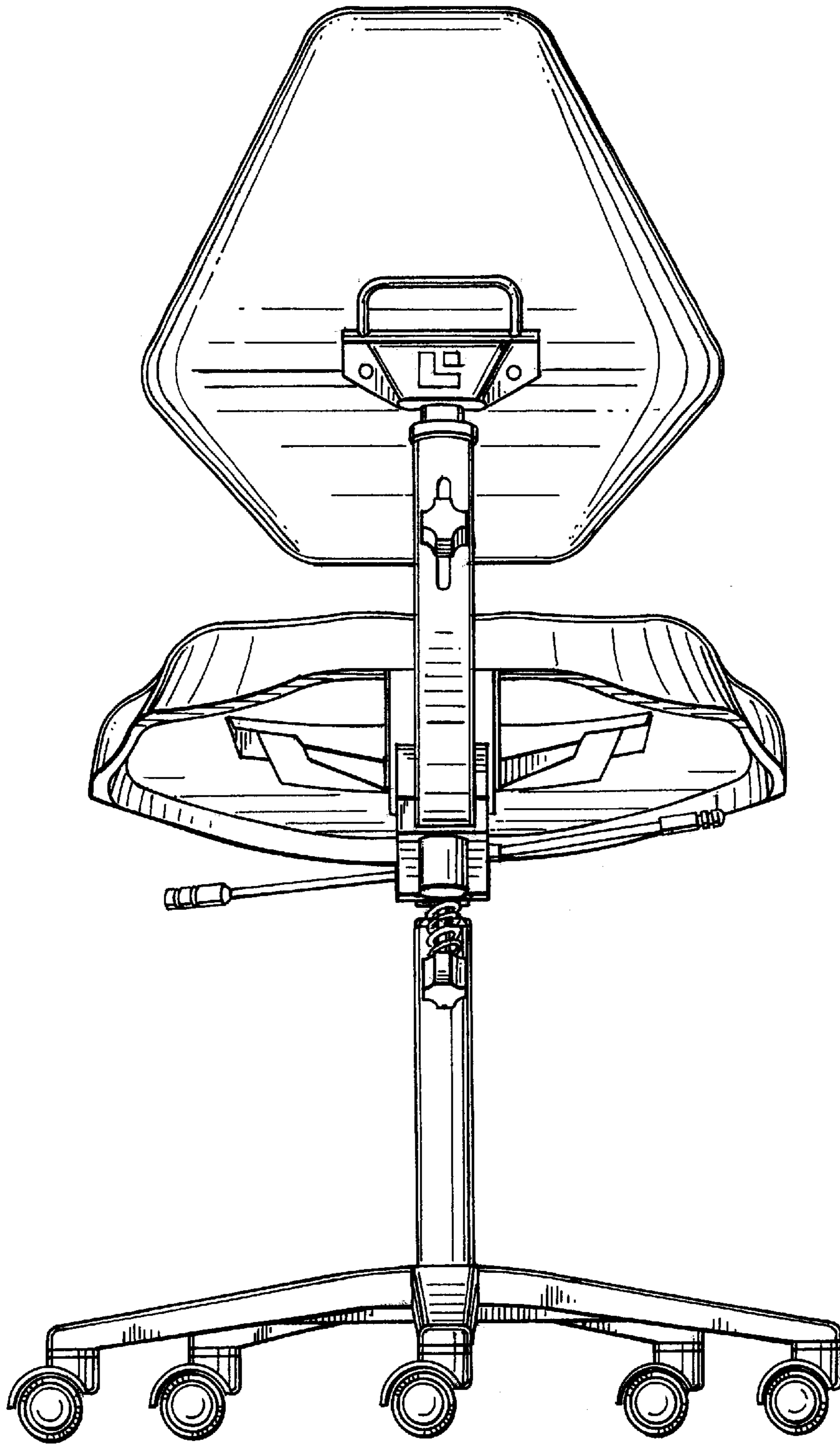


FIG. 5

