



US00D475854S

(12) **United States Design Patent**
Caponey

(10) **Patent No.:** **US D475,854 S**

(45) **Date of Patent:** **** Jun. 17, 2003**

(54) **STACKABLE CONTAINER**

(76) **Inventor:** **Victor J. Caponey**, 176 Berry Dr.,
Greenville, SC (US) 29607

(**) **Term:** **14 Years**

(21) **Appl. No.:** **29/161,827**

(22) **Filed:** **May 22, 2002**

(51) **LOC (7) Cl.** **03-01**

(52) **U.S. Cl.** **D3/314**

(58) **Field of Search** D3/304, 307-314;
206/596, 598, 599, 503, 505-507, 515,
518, 519, 511-513; D9/424, 425, 526;
220/630, 675, 23.4, 23.83, DIG. 12, DIG. 13;
D34/1; D6/396; D7/601, 602, 612

(56) **References Cited**

U.S. PATENT DOCUMENTS

2,462,693	A	*	2/1949	Wabshaw	206/505
3,654,875	A	*	4/1972	Vik	206/599
D232,812	S	*	9/1974	Ogle et al.	D3/314
D289,105	S	*	4/1987	Sussman	D3/302

D322,699	S	*	12/1991	Noe et al.	D34/1
D424,117	S	*	5/2000	Steinbeck et al.	D3/307
D436,728	S	*	1/2001	Harding	D3/304

* cited by examiner

Primary Examiner—Louis S. Zarfaz

Assistant Examiner—Deanne Levy

(74) *Attorney, Agent, or Firm*—Joseph T. Guy; Nexsen
Pruet Jacobs & Pollard, LLC

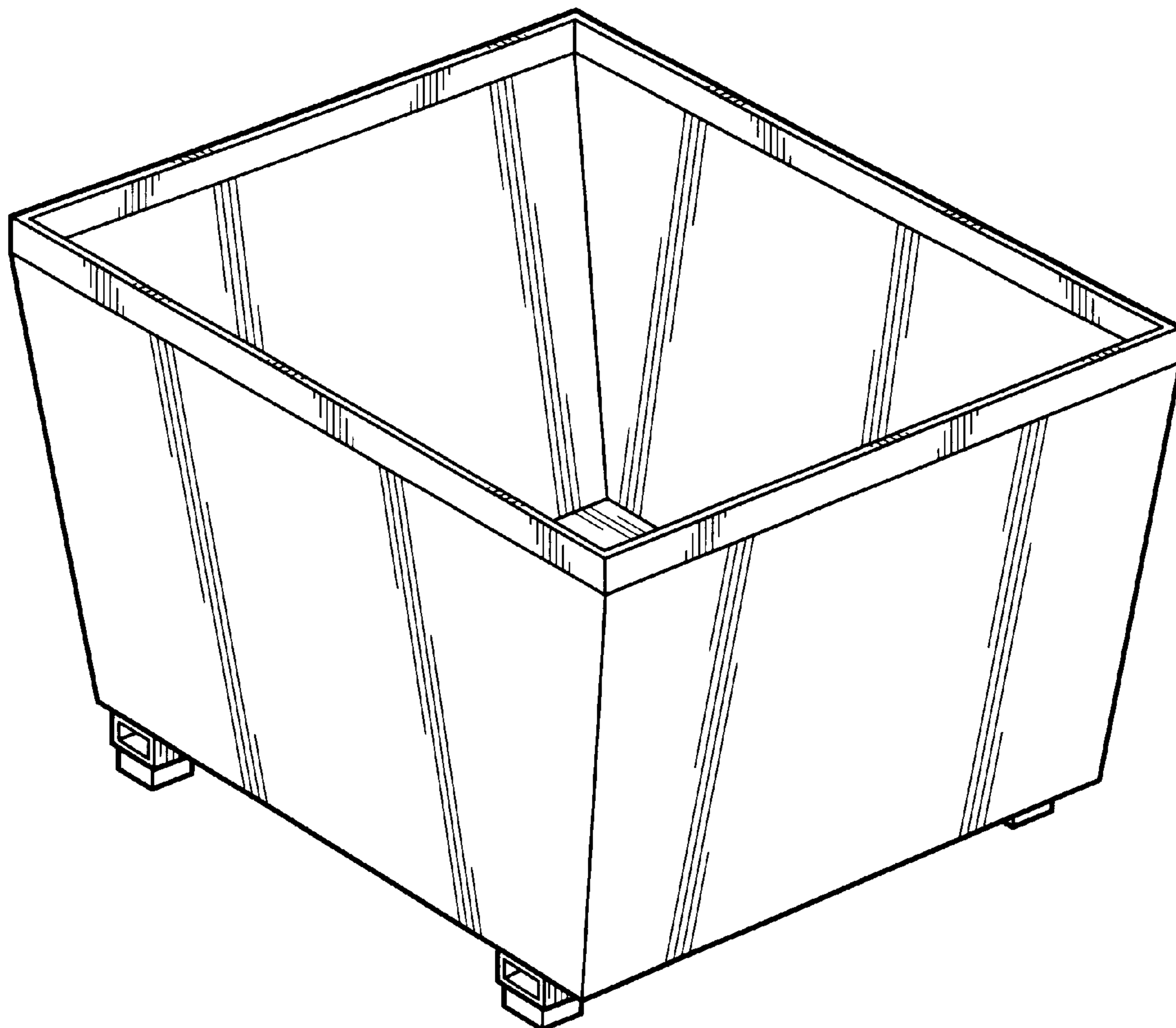
(57) **CLAIM**

The ornamental design for an stackable container, as shown
and described.

DESCRIPTION

FIG. 1 is a front perspective view of the stackable container
of the present invention;
FIG. 2 is a front view;
FIG. 3 is a rear view;
FIG. 4 is a right side view;
FIG. 5 is a left side view;
FIG. 6 is a top view; and,
FIG. 7 is a bottom view.

1 Claim, 4 Drawing Sheets



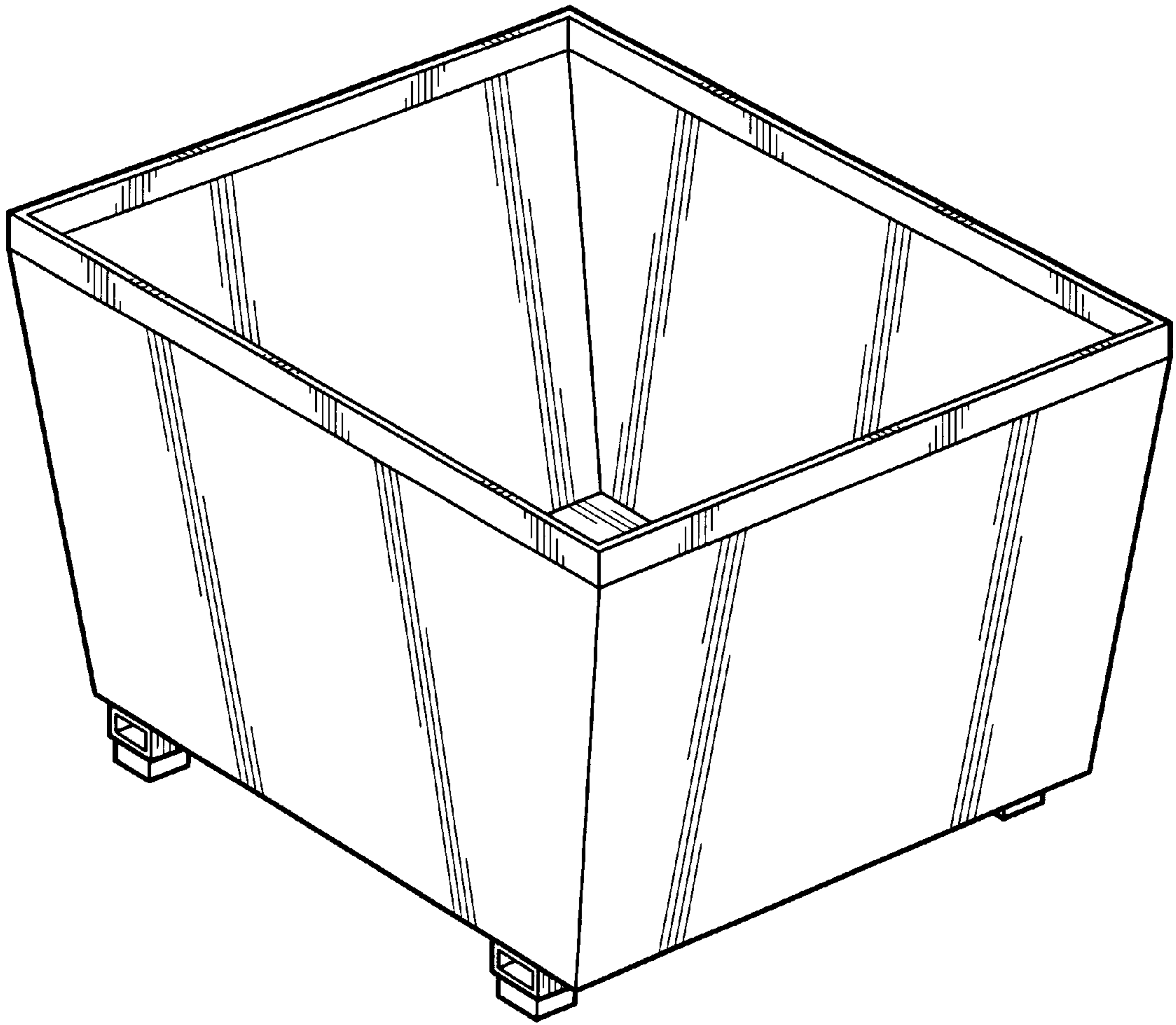


FIG. 1

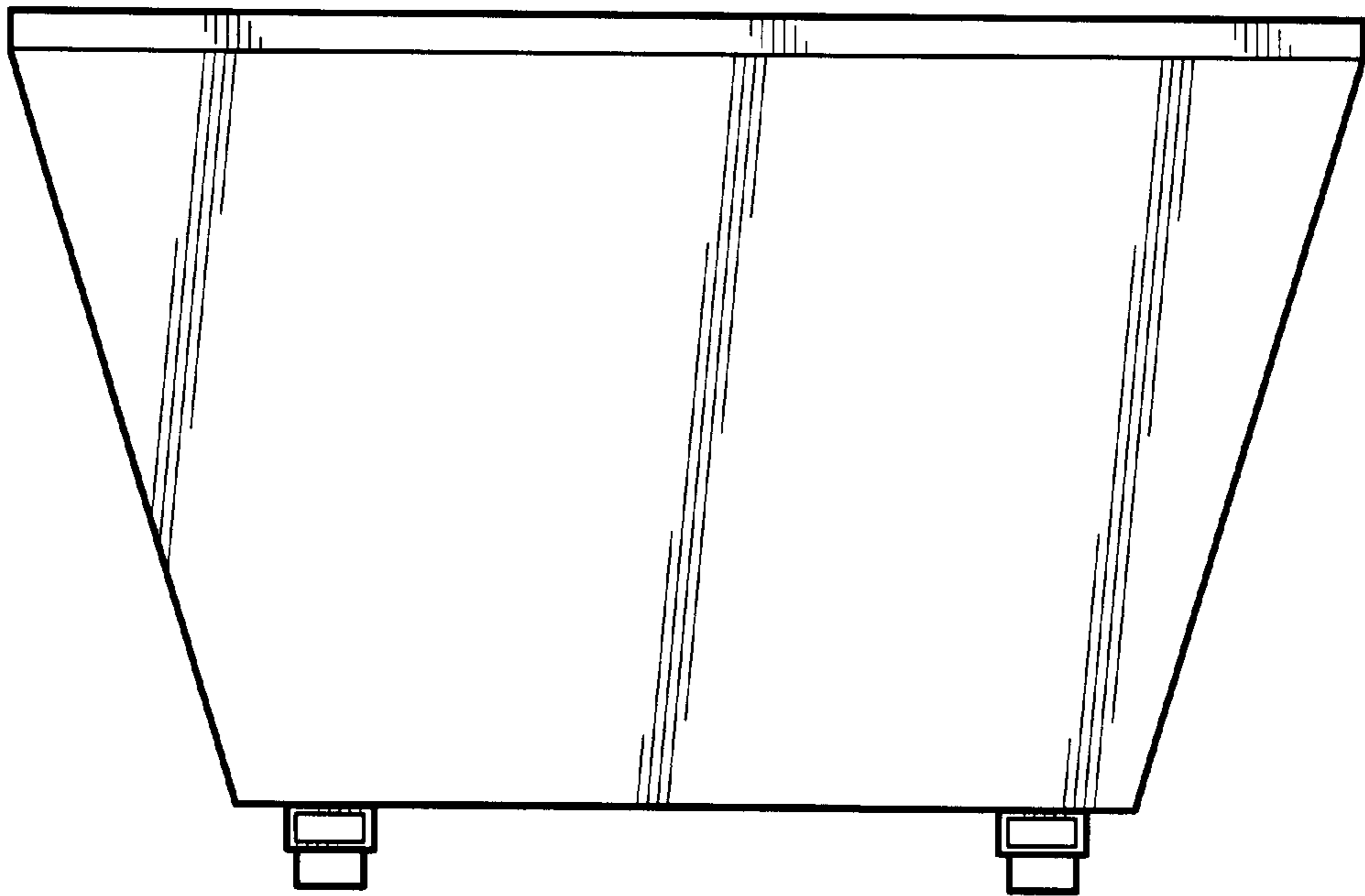


FIG. 2

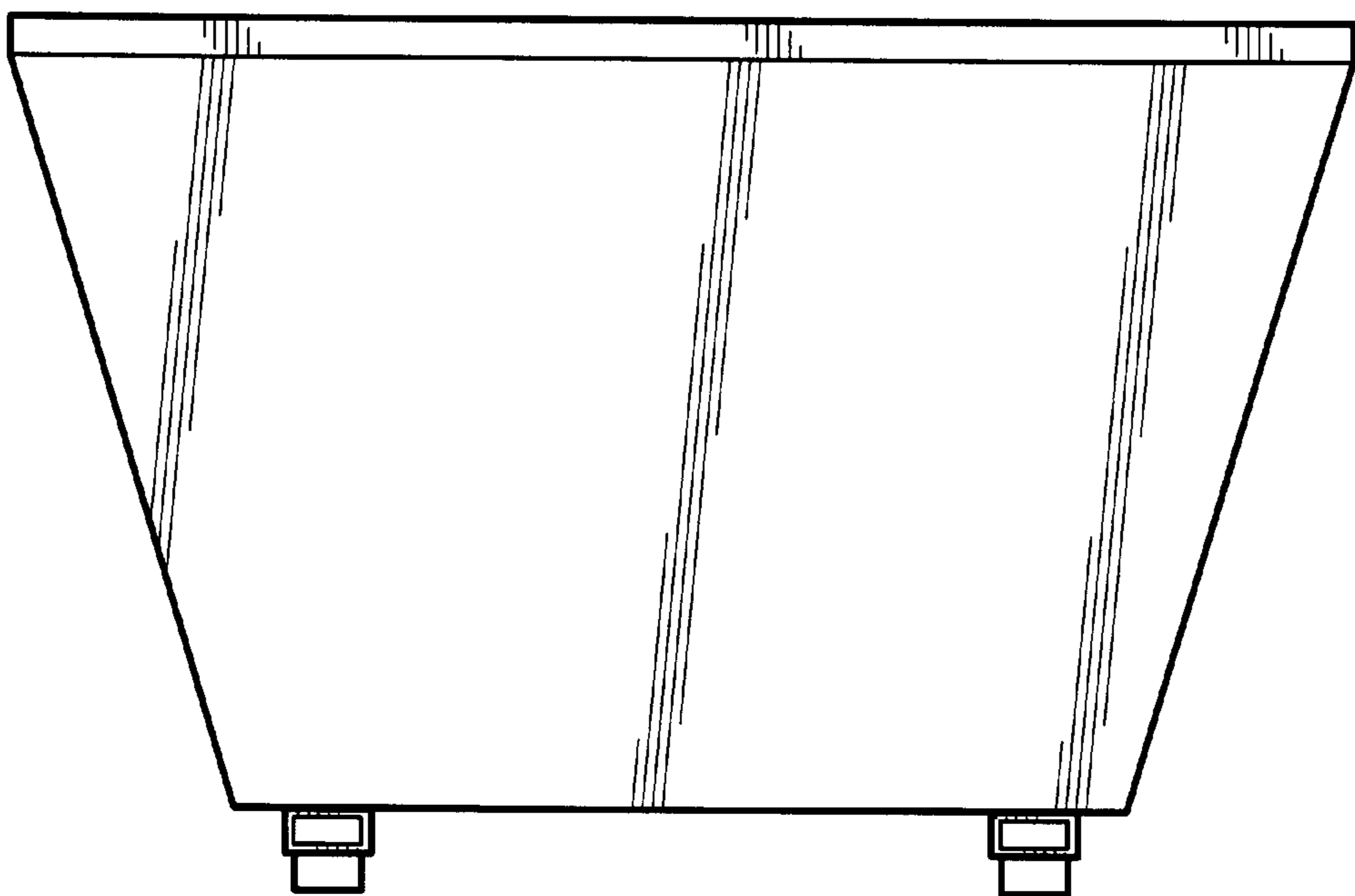


FIG. 3

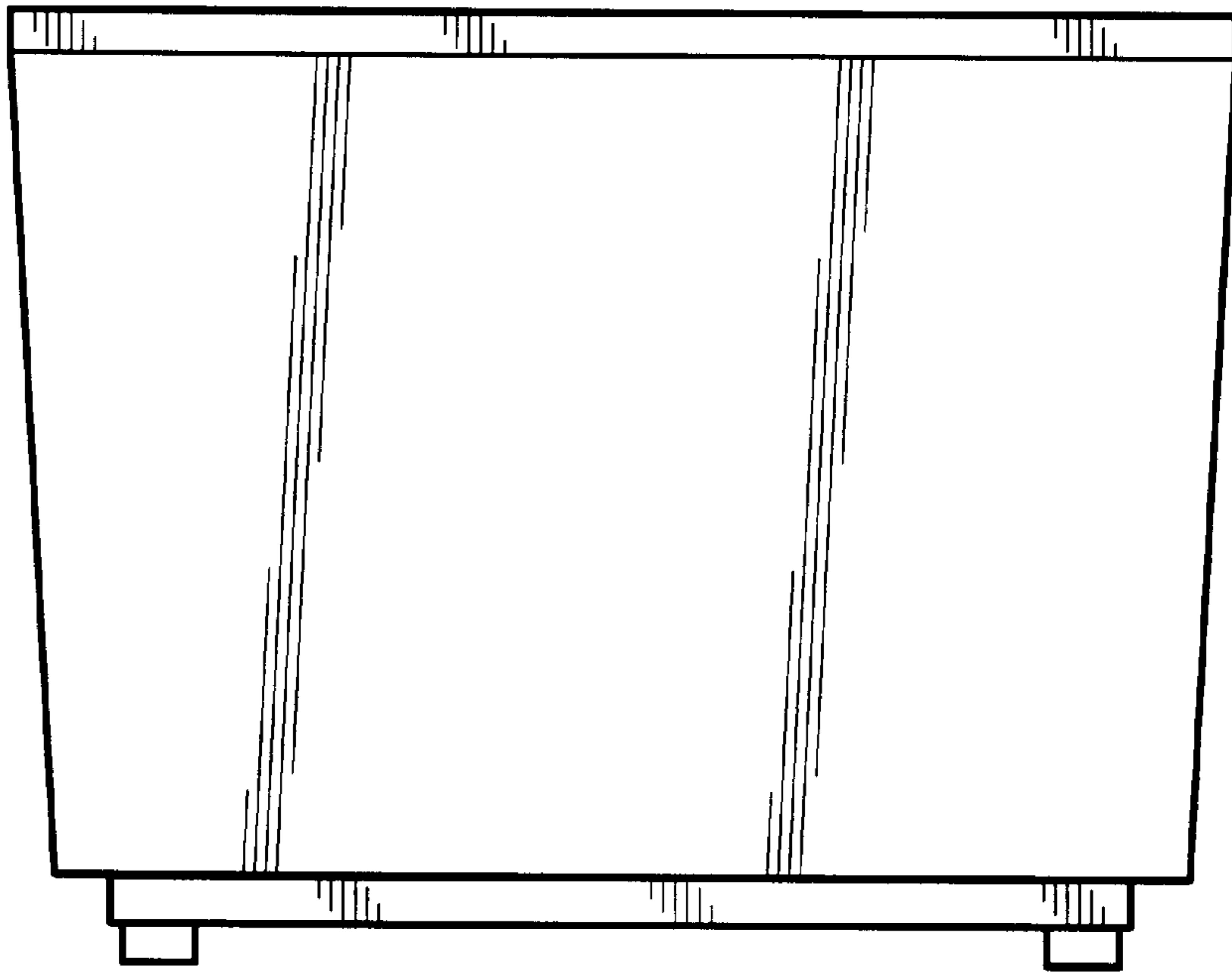


FIG. 4

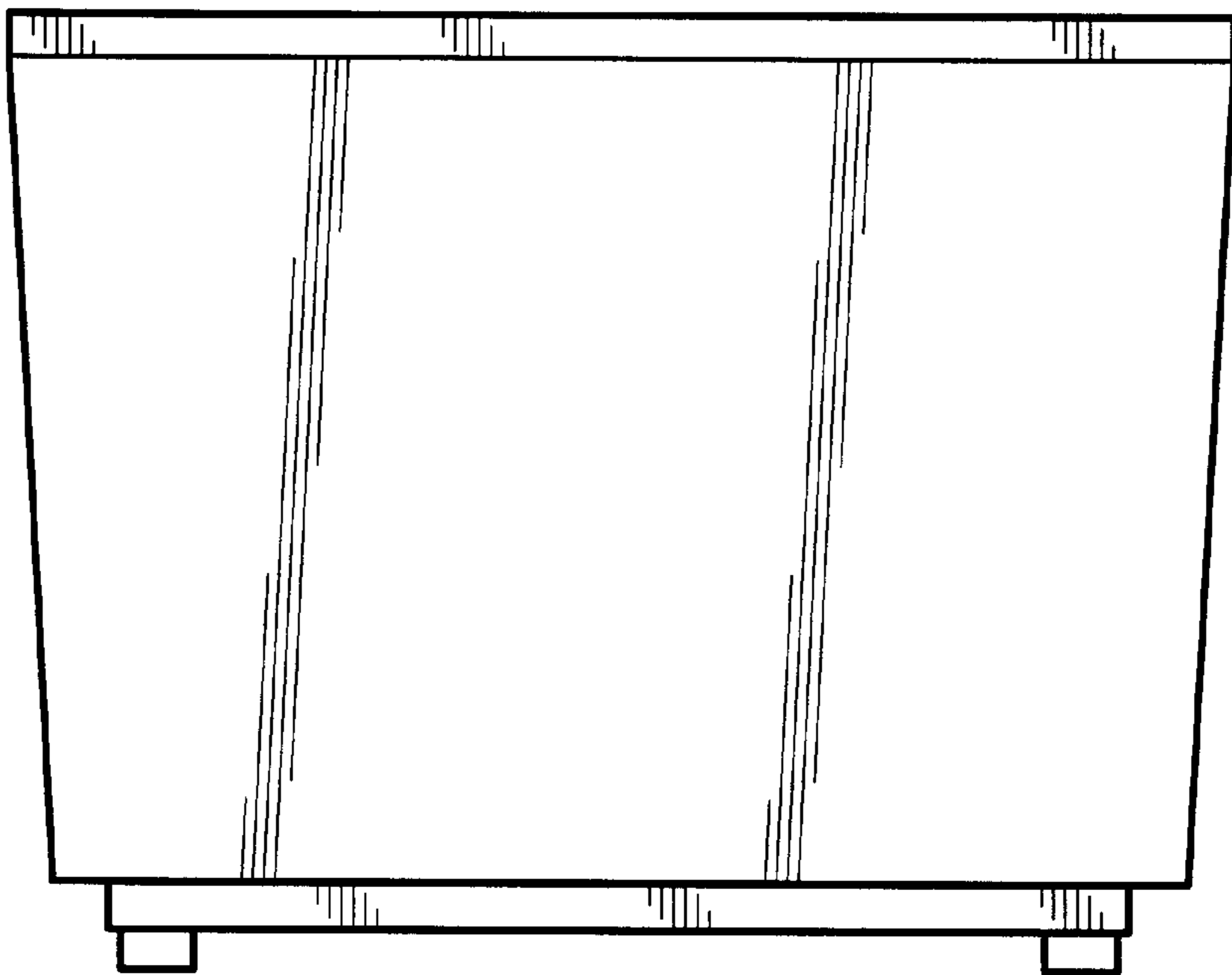


FIG. 5

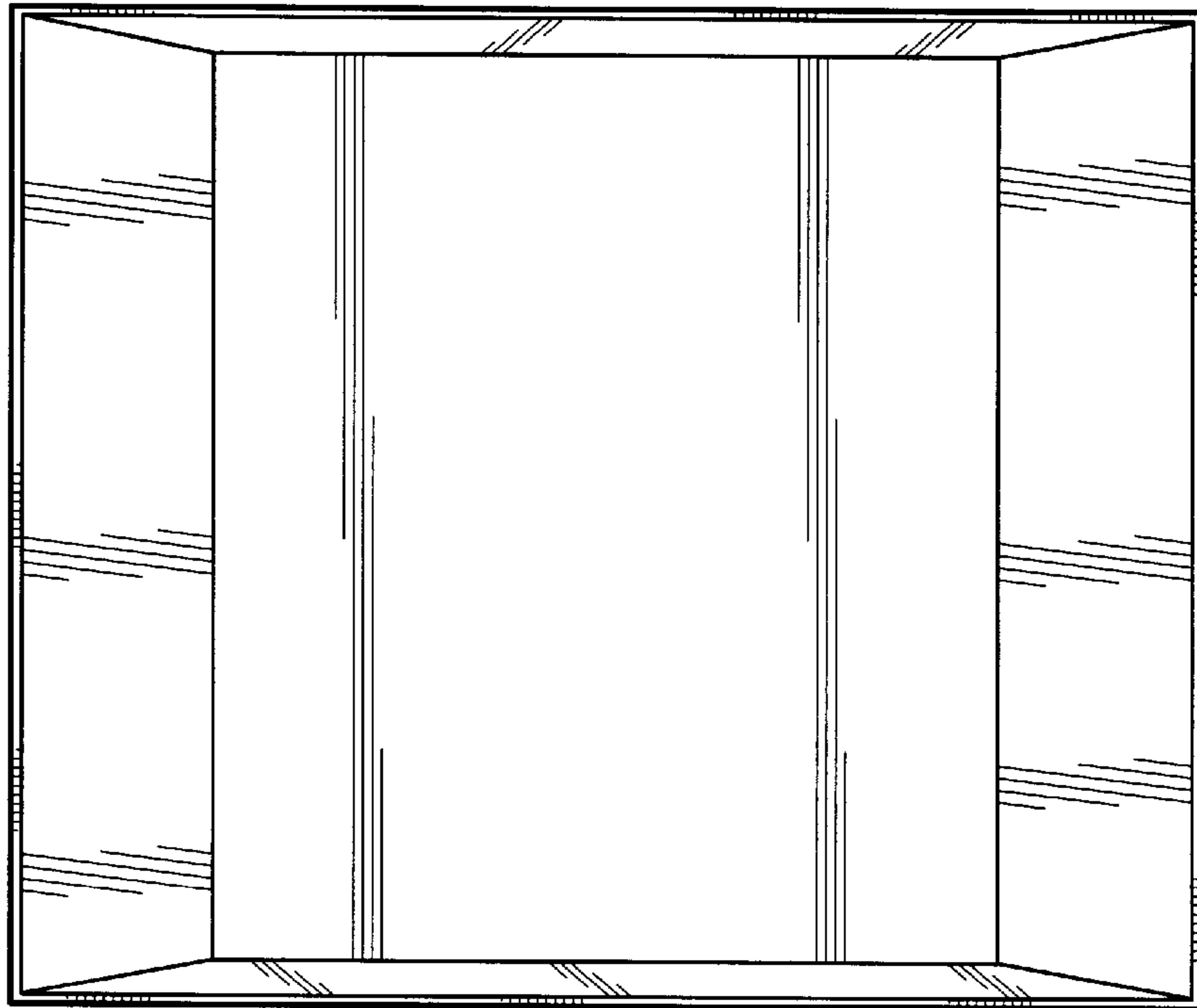


Fig. 6

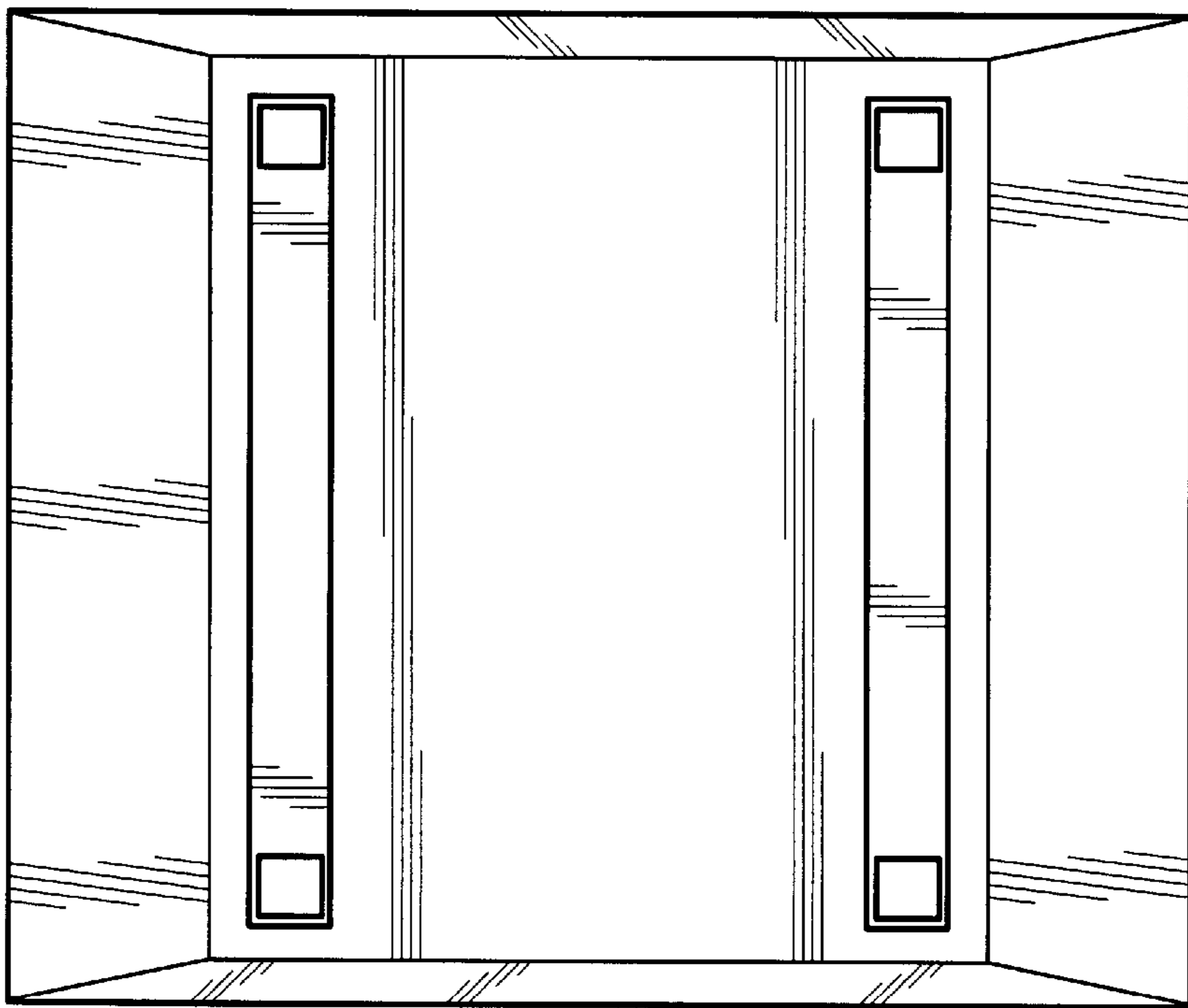


Fig. 7