



US00D475853S

(12) **United States Design Patent**
Chen

(10) **Patent No.:** **US D475,853 S**

(45) **Date of Patent:** **** Jun. 17, 2003**

(54) **TOOL BOX**

(76) **Inventor:** **Chin-Hui Chen**, 11F-2, No.43, Chai-I Street, Taichung City (TW)

(**) **Term:** **14 Years**

(21) **Appl. No.:** **29/163,453**

(22) **Filed:** **Jul. 8, 2002**

(51) **LOC (7) Cl.** **03-01**

(52) **U.S. Cl.** **D3/294; D3/905**

(58) **Field of Search** D3/273, 274, 294,
D3/295, 905, 315; D9/415; 206/349, 372,
373, 378, 379

(56) **References Cited**

U.S. PATENT DOCUMENTS

4,260,057	A	*	4/1981	Wall-Andersen	206/379
5,133,455	A	*	7/1992	Chow	206/374
5,148,914	A	*	9/1992	Budert et al.	206/1.5
D370,781	S	*	6/1996	Vasudeva	D3/284
D373,901	S	*	9/1996	Bergstedt	D3/294
D400,709	S	*	11/1998	Chang	D3/294

D434,561	S	*	12/2000	Vasudeva	D3/282
D436,441	S	*	1/2001	Lapidus	D3/273
6,206,189	B1	*	3/2001	Huot et al.	206/379
D446,651	S	*	8/2001	Liao	D3/284

* cited by examiner

Primary Examiner—Philip S. Hyder

(74) *Attorney, Agent, or Firm*—Charles E. Baxley

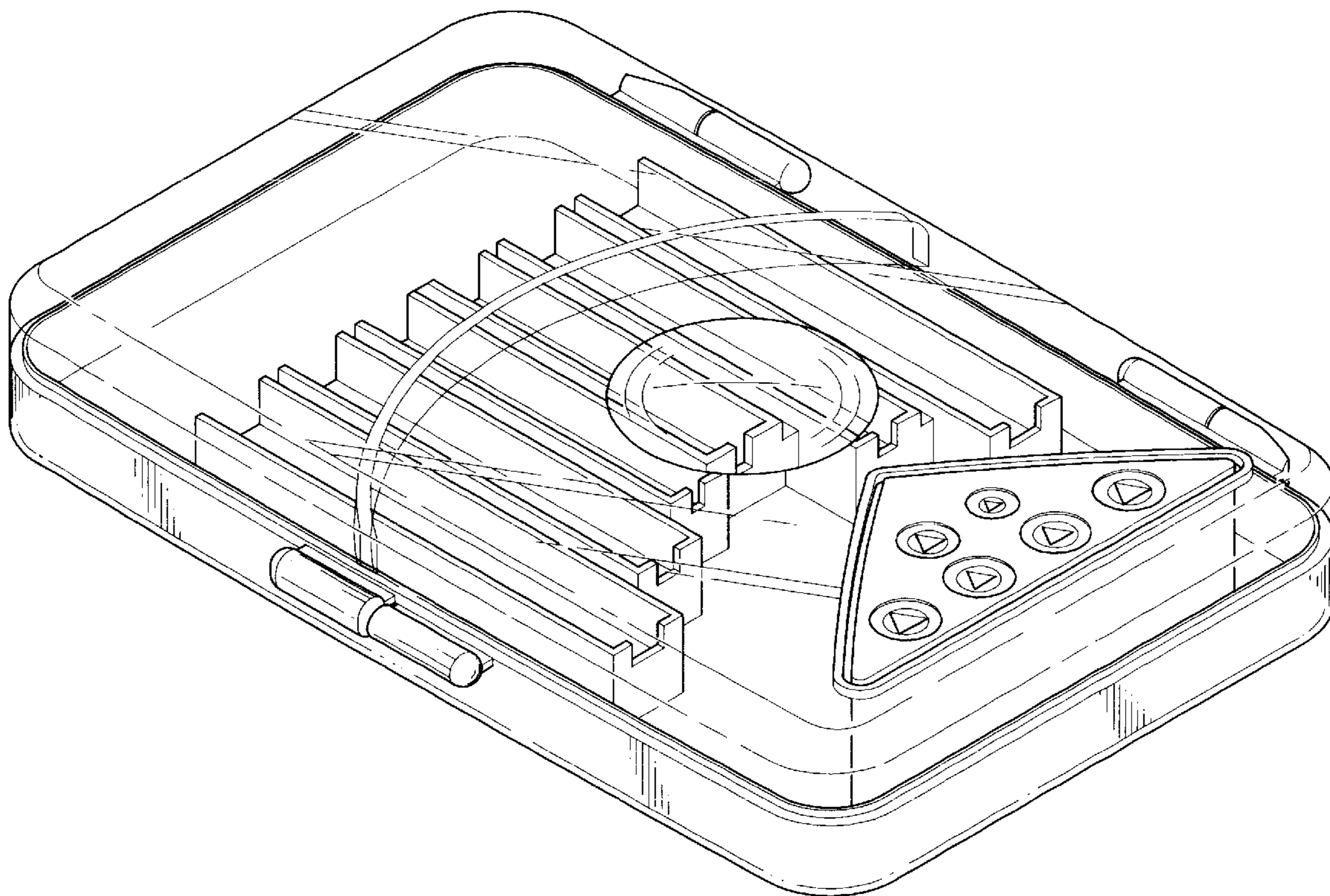
(57) **CLAIM**

The ornamental design for a tool box, as shown and described.

DESCRIPTION

FIG. 1 is a front-right-top perspective view of a tool box, showing my new design;
FIG. 2 is a front elevational view thereof;
FIG. 3 is a rear elevational view thereof;
FIG. 4 is a left elevational view thereof;
FIG. 5 is a right elevational view thereof;
FIG. 6 is a top plan view thereof; and,
FIG. 7 is a bottom plan view thereof.

1 Claim, 3 Drawing Sheets



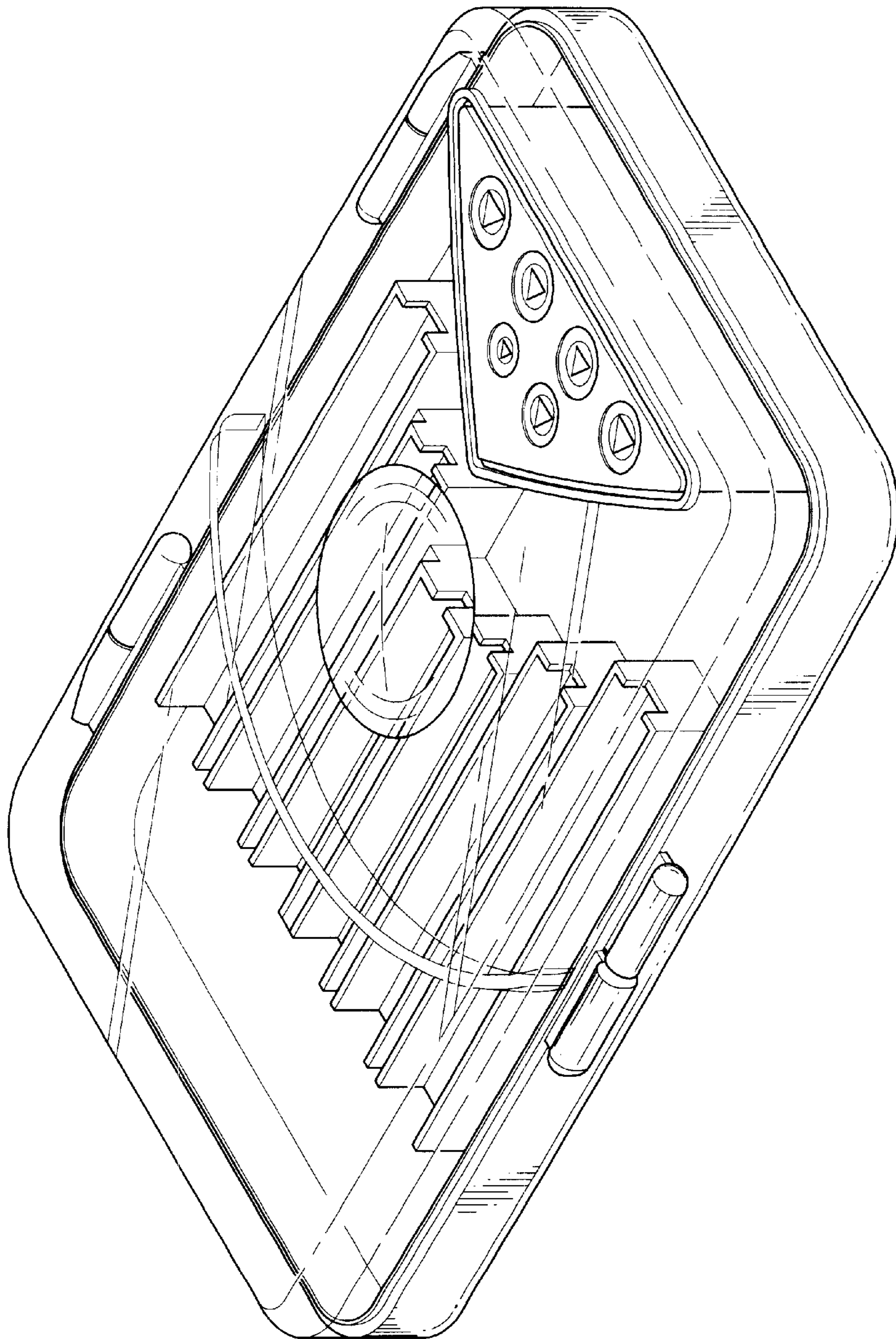


FIG. 1

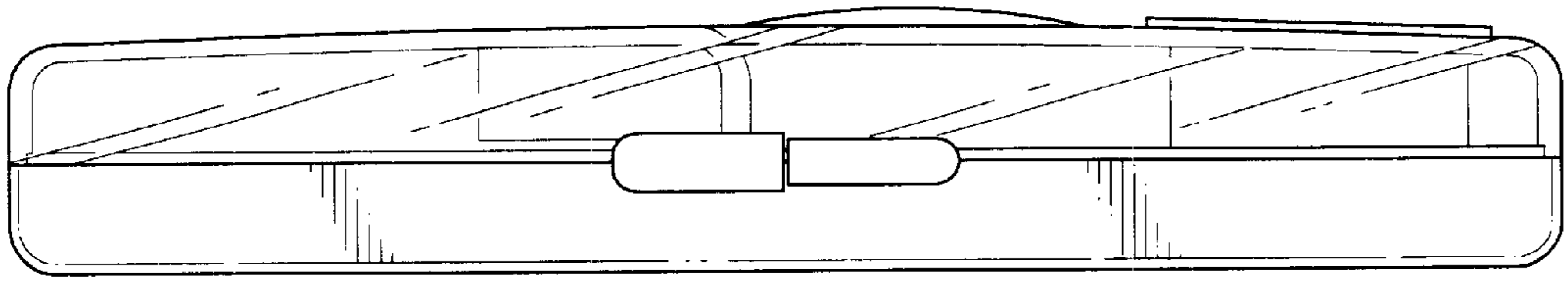


FIG. 2

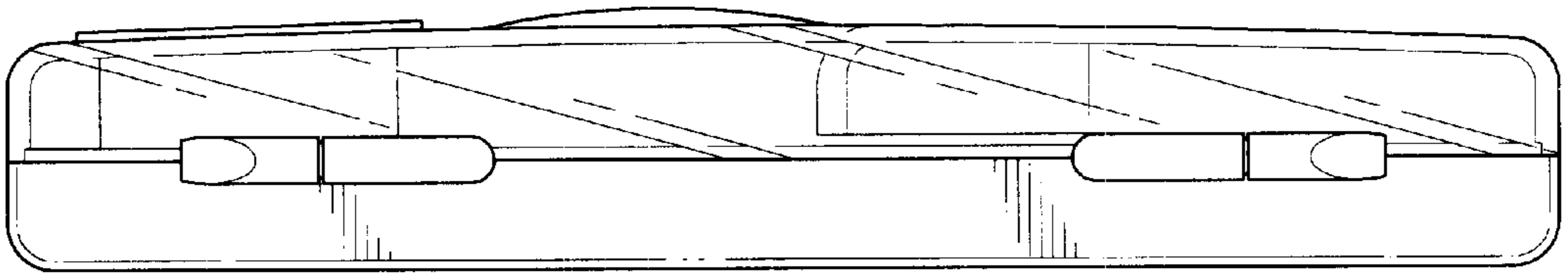


FIG. 3

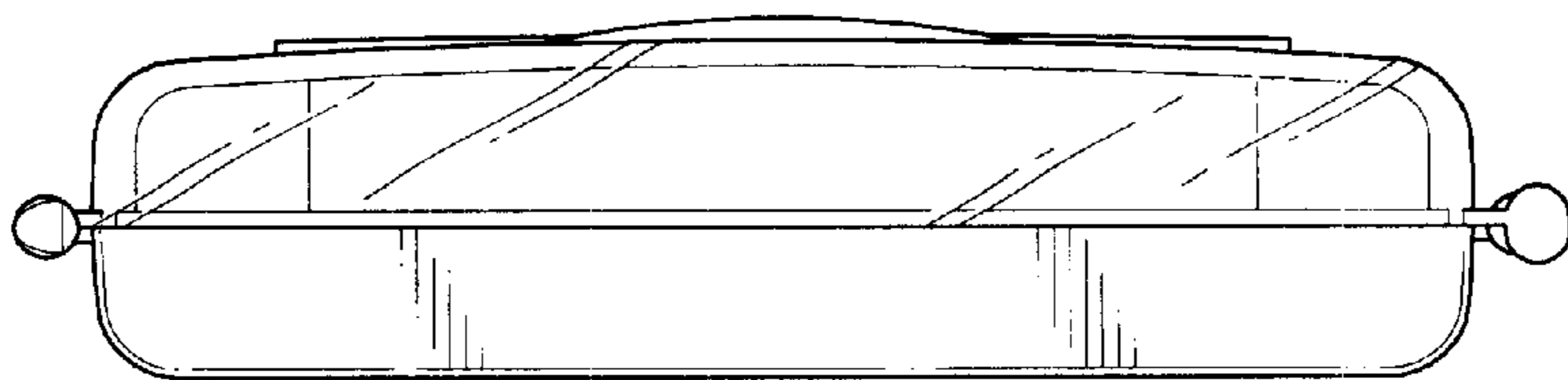


FIG. 4

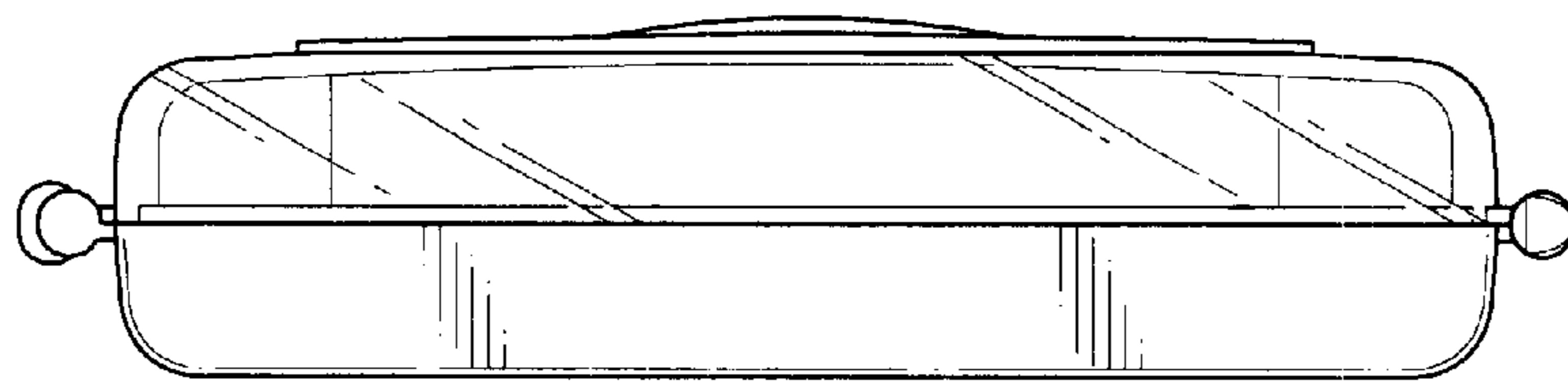


FIG. 5

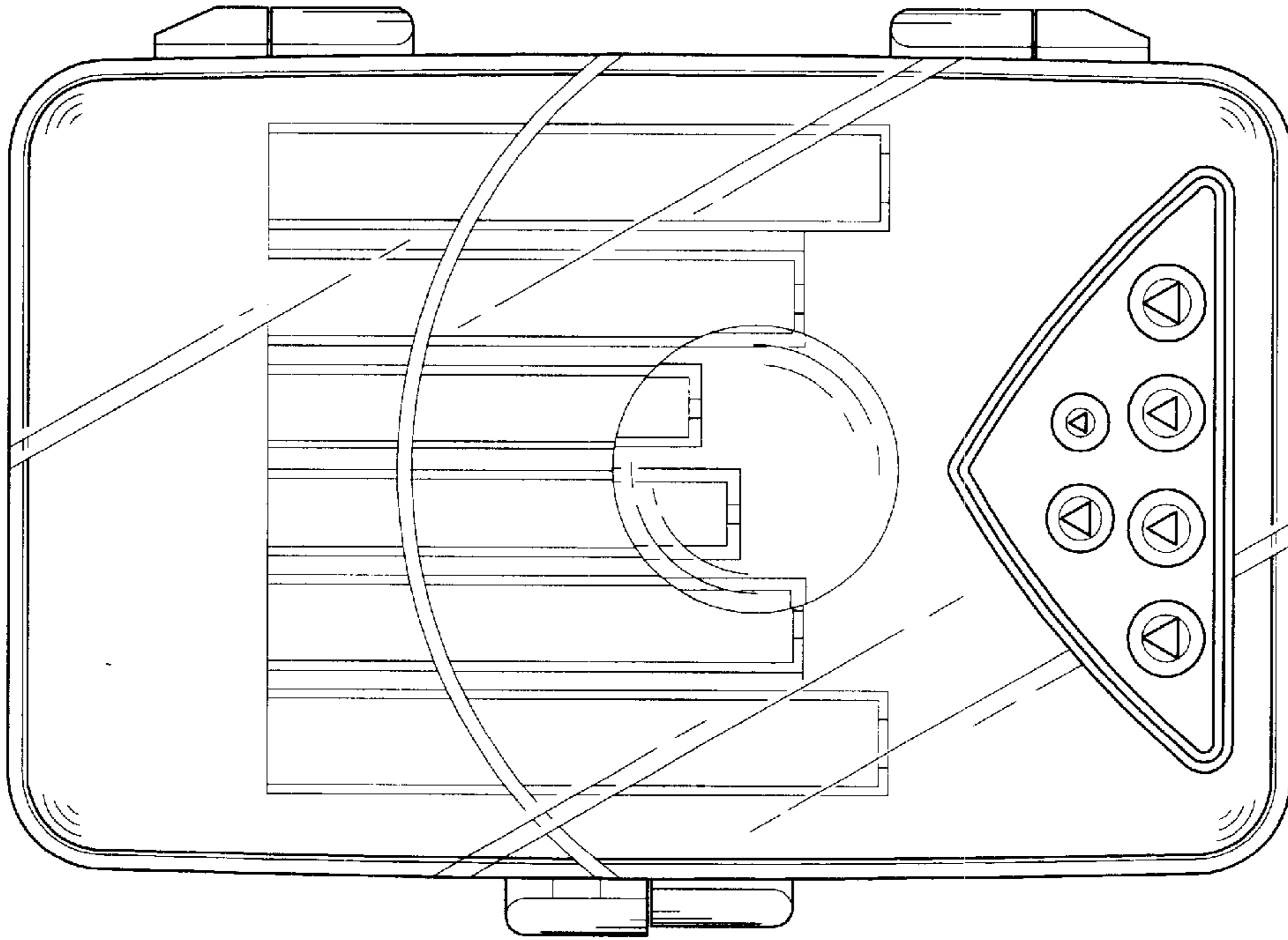


FIG. 6

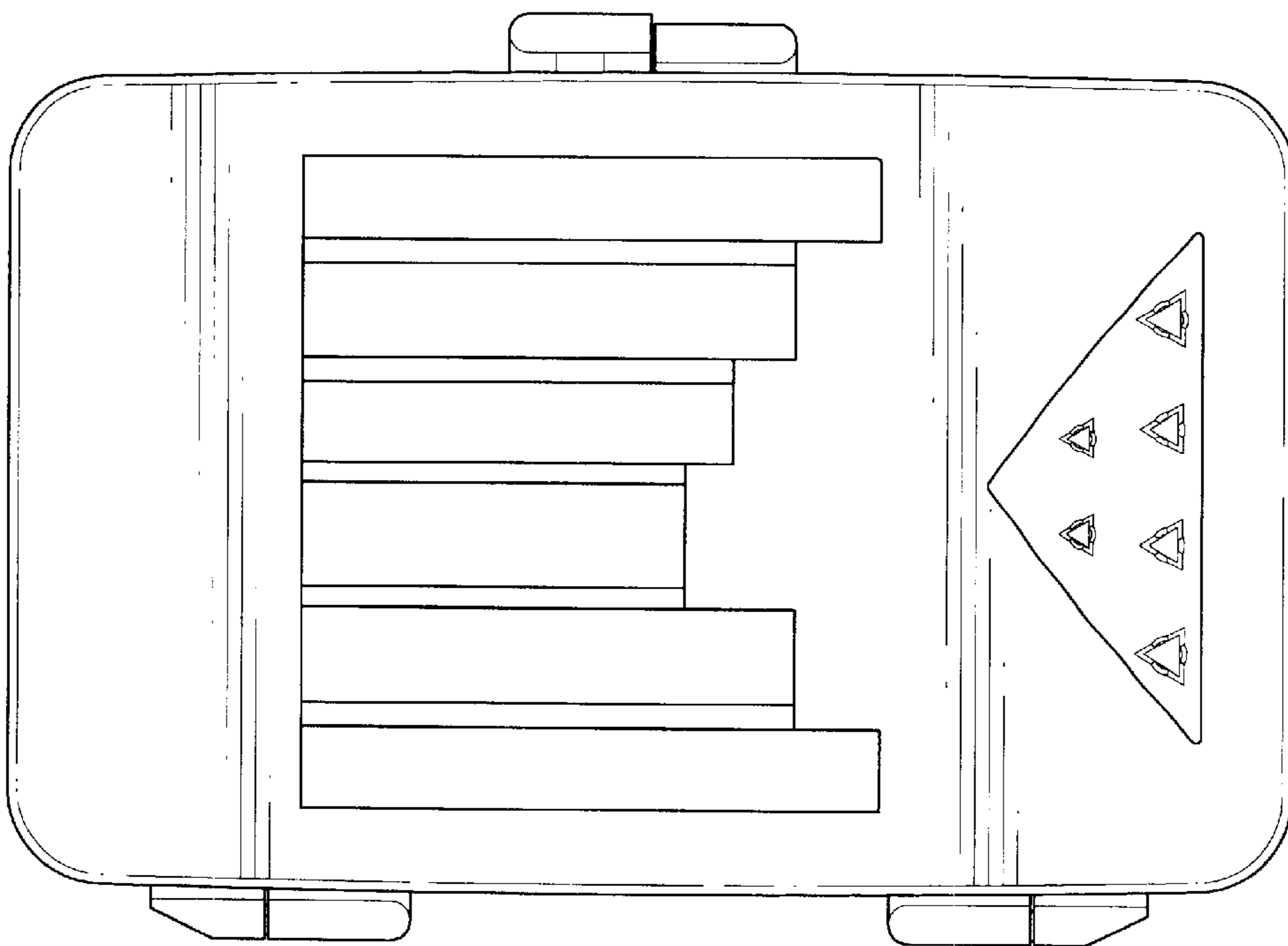


FIG. 7