



US00D475850S

(12) **United States Design Patent**
Andre et al.

(10) **Patent No.: US D475,850 S**

(45) **Date of Patent: ** Jun. 17, 2003**

(54) **ELECTRONIC DEVICE HOLDER**

(75) Inventors: **Bartley K. Andre**, Menlo Park, CA (US); **Daniel J. Coster**, San Francisco, CA (US); **Daniele De Iuliis**, San Francisco, CA (US); **Richard P. Howarth**, San Francisco, CA (US); **Jonathan P. Ive**, San Francisco, CA (US); **Steve Jobs**, Palo Alto, CA (US); **Duncan Robert Kerr**, San Francisco, CA (US); **Matthew Dean Rohrbach**, San Francisco, CA (US); **Douglas B. Satzger**, San Carlos, CA (US); **Calvin Q. Seid**, Palo Alto, CA (US); **Christopher J. Stringer**, Pacifica, CA (US); **Eugene Anthony Whang**, San Francisco, CA (US)

(73) Assignee: **Apple Computer, Inc.**, Cupertino, CA (US)

(**) Term: **14 Years**

(21) Appl. No.: **29/163,969**

(22) Filed: **Jul. 15, 2002**

(51) **LOC (7) Cl.** **03-01**

(52) **U.S. Cl.** **D3/218**

(58) **Field of Search** D3/218, 215, 226, D3/228, 299, 230, 249; D14/138, 251, 253; 224/240, 241, 236, 901, 904, 674, 679; 206/305, 320, 490, 38

(56) **References Cited**

U.S. PATENT DOCUMENTS

D345,646 S * 4/1994 Knapp D3/218

D373,241 S * 9/1996 Chavez et al. D3/218
D375,197 S * 11/1996 Laherty D3/218
D431,250 S 9/2000 Richter D14/447
D465,646 S * 11/2002 Hendrickson D3/218

* cited by examiner

Primary Examiner—Catherine R. Oliver
(74) *Attorney, Agent, or Firm*—Beyer Weaver & Thomas, LLP

(57) **CLAIM**

The ornamental design for an electronic device holder, substantially as shown and described.

DESCRIPTION

FIG. 1 is a perspective view of an electronic device holder showing our new design;

FIG. 2 is a front view for the electronic device holder shown in FIG. 1.

FIG. 3 is a rear view for the electronic device holder shown in FIG. 1.

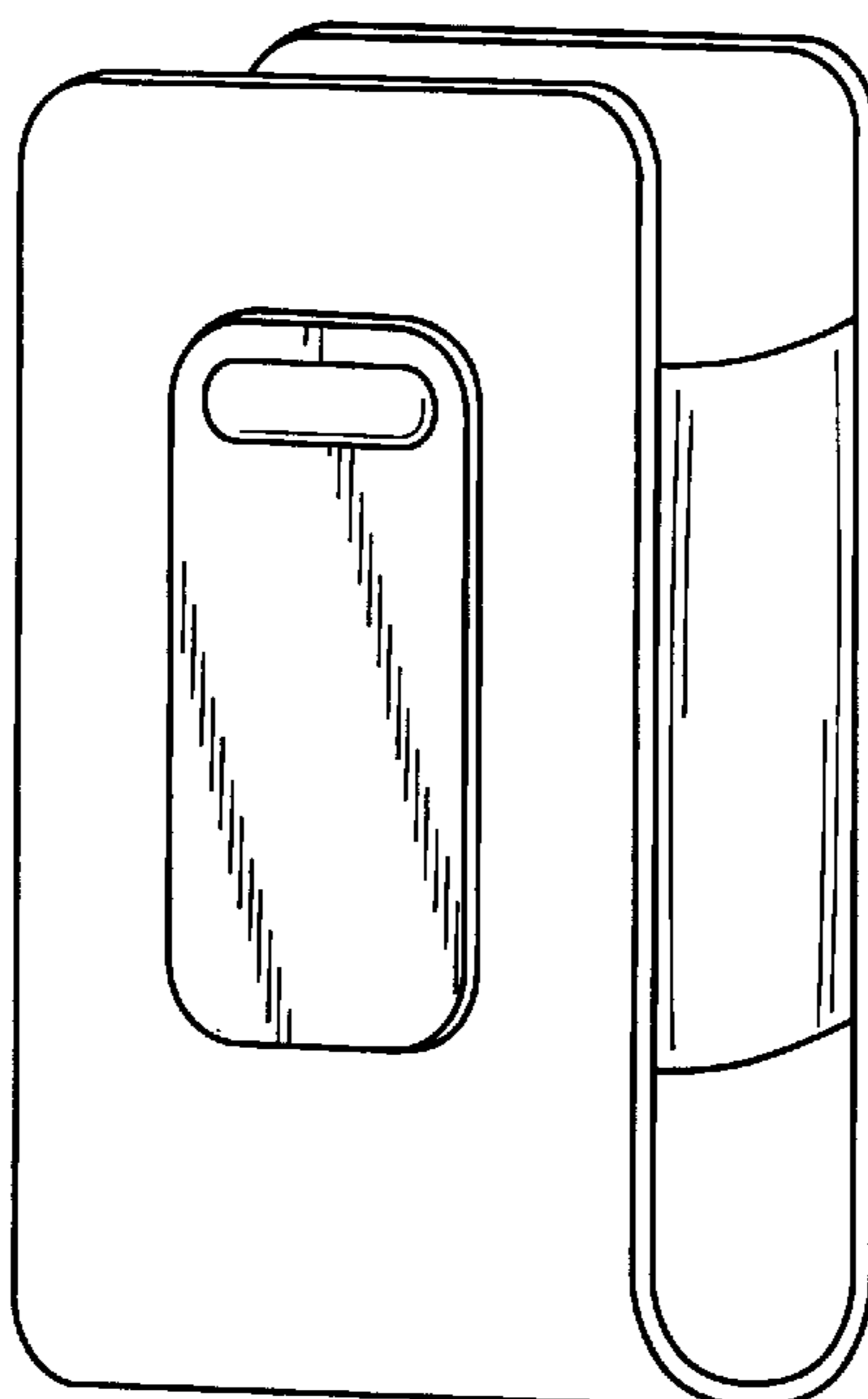
FIG. 4 is a left side view for the electronic device holder shown in FIG. 1.

FIG. 5 is a right side view for the electronic device holder shown in FIG. 1.

FIG. 6 is a top view for the electronic device holder shown in FIG. 1; and,

FIG. 7 is a bottom view for the electronic device holder shown in FIG. 1.

1 Claim, 2 Drawing Sheets



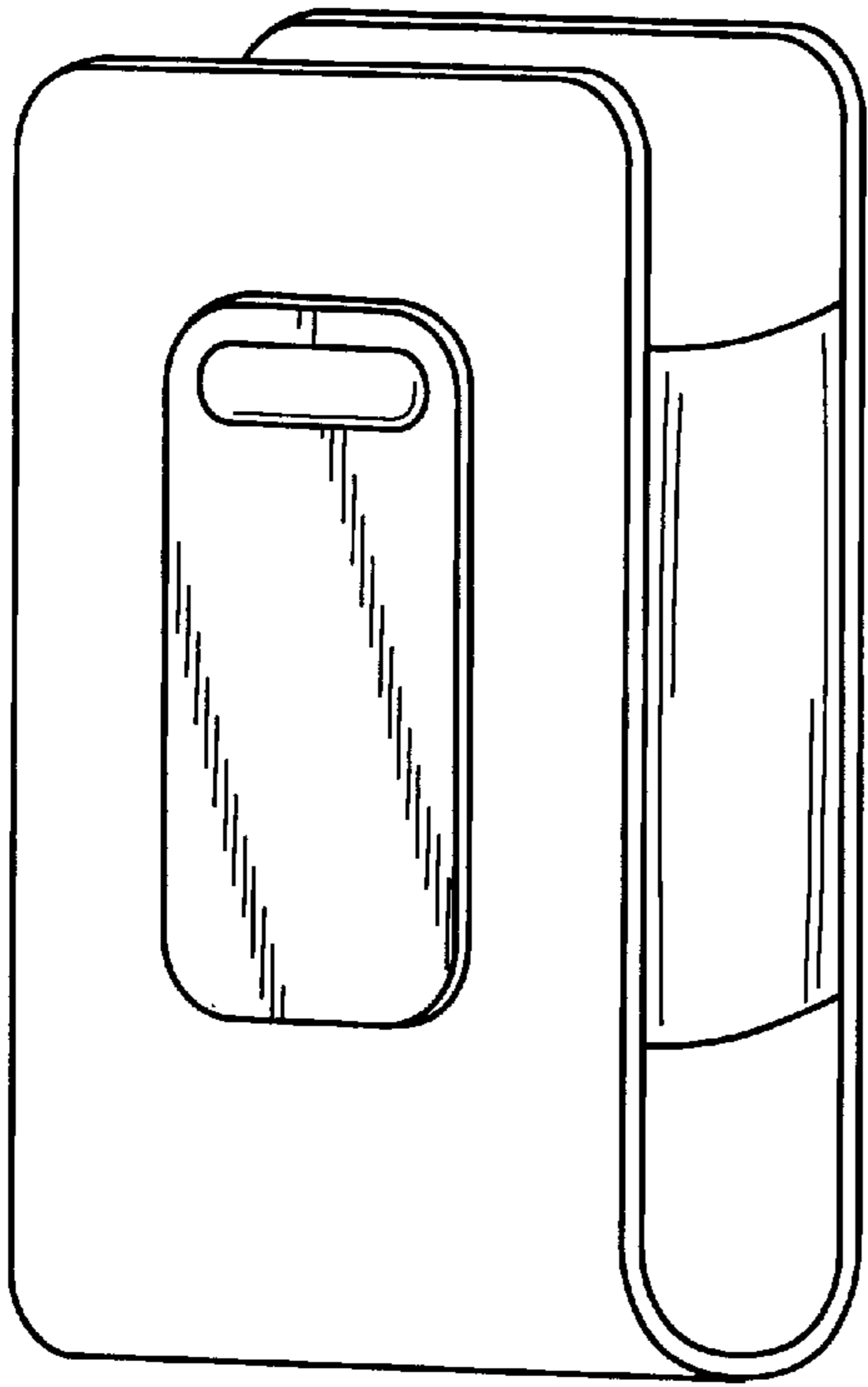


FIG. 1

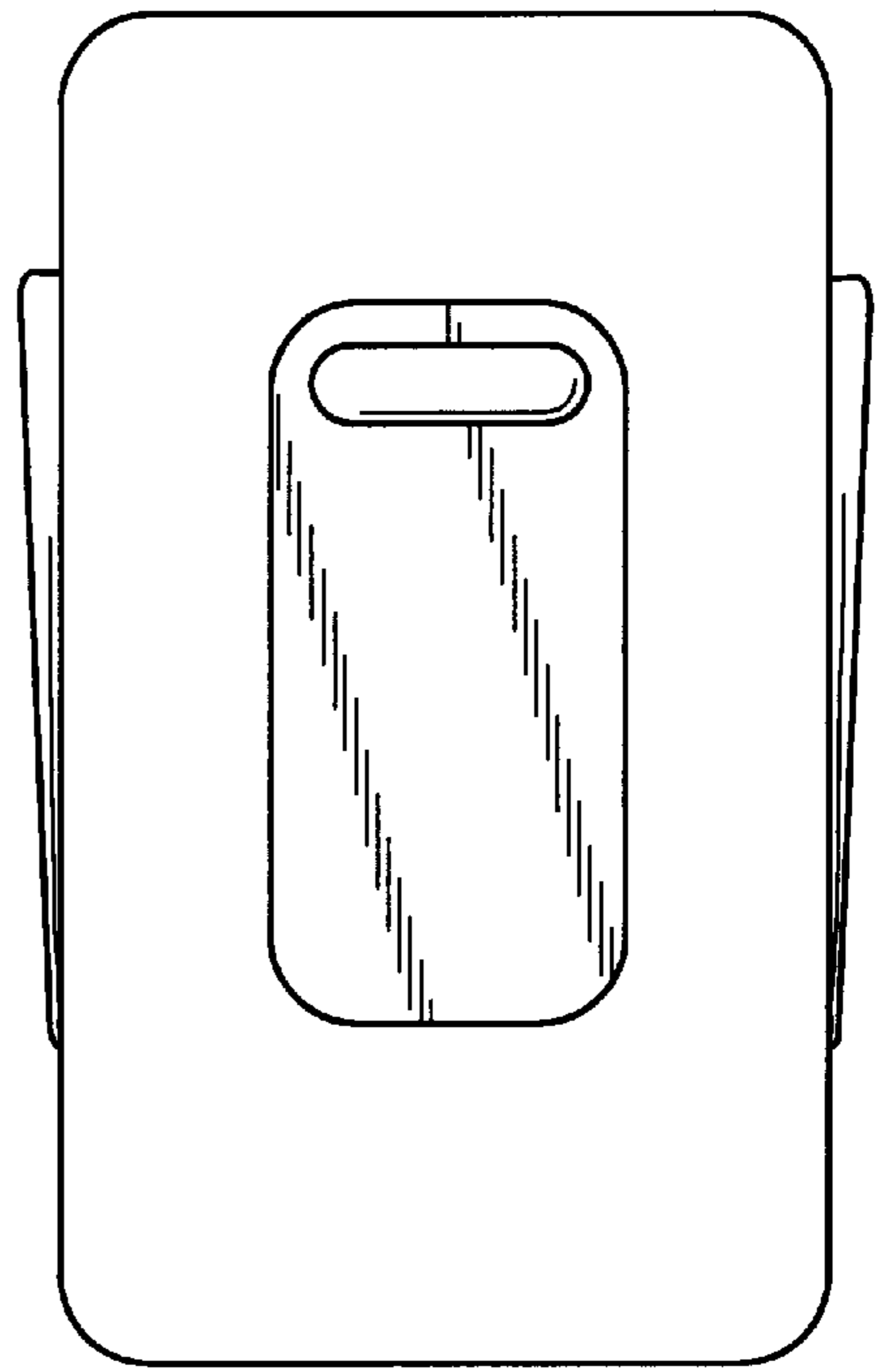


FIG. 2

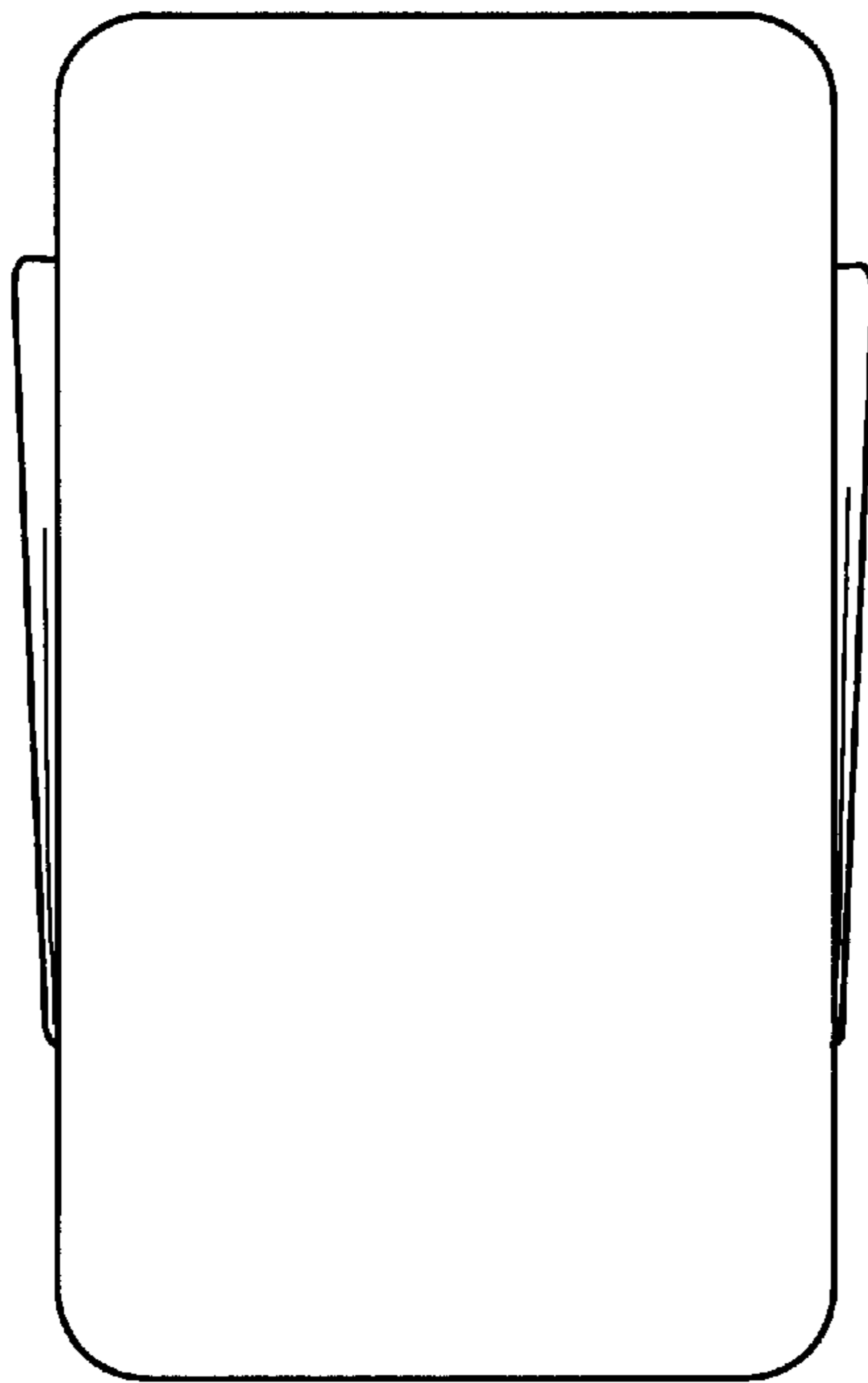


FIG. 3

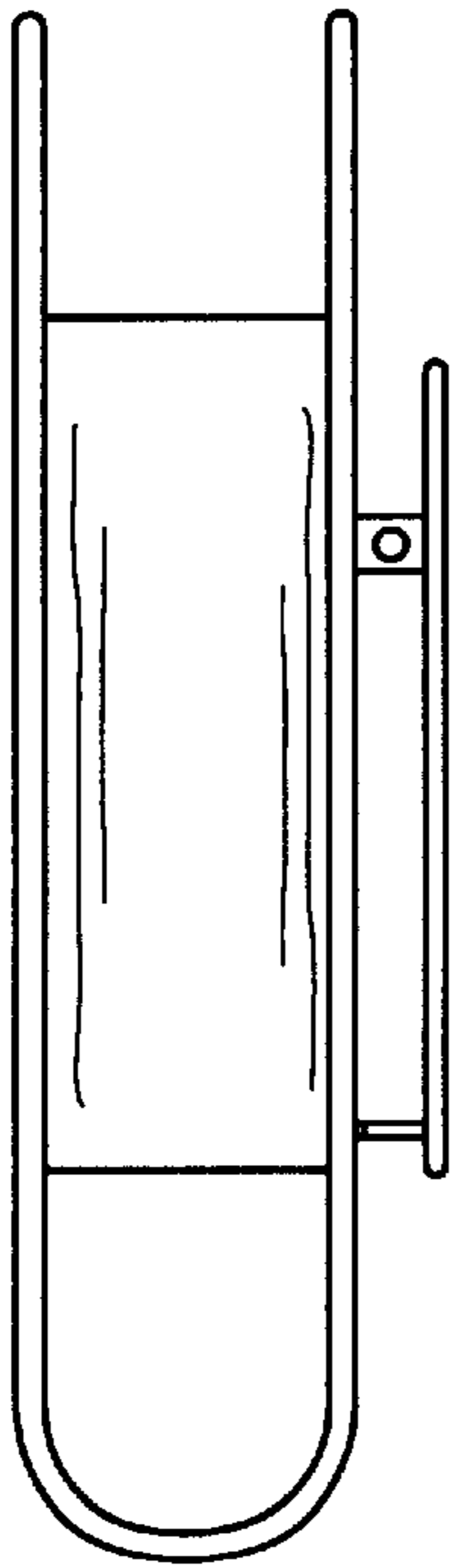


FIG. 4

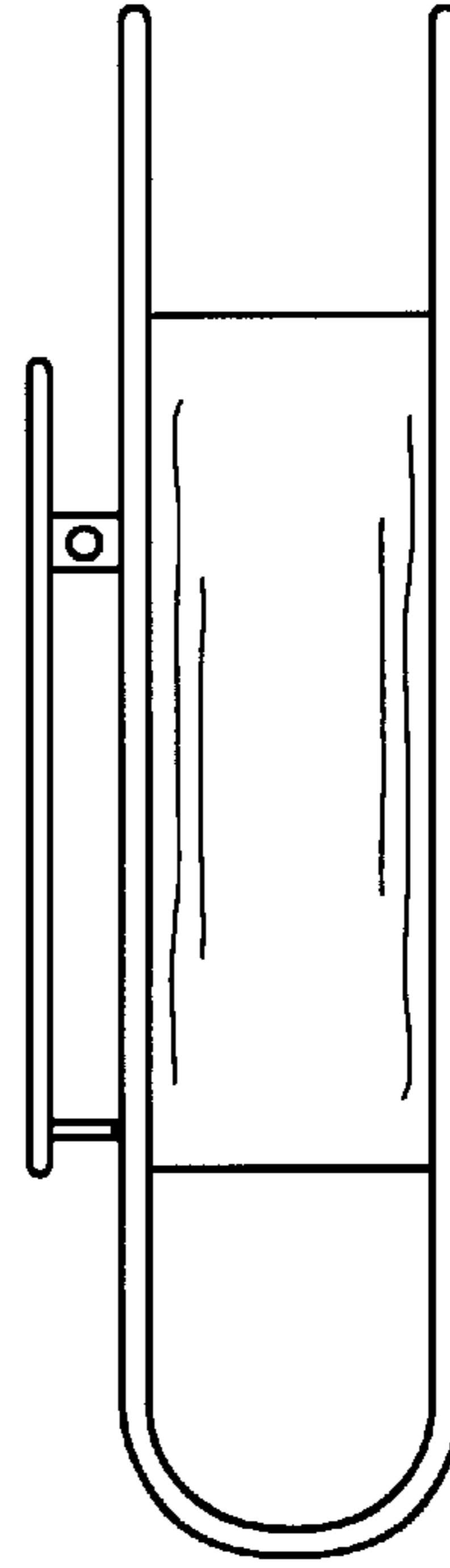


FIG. 5

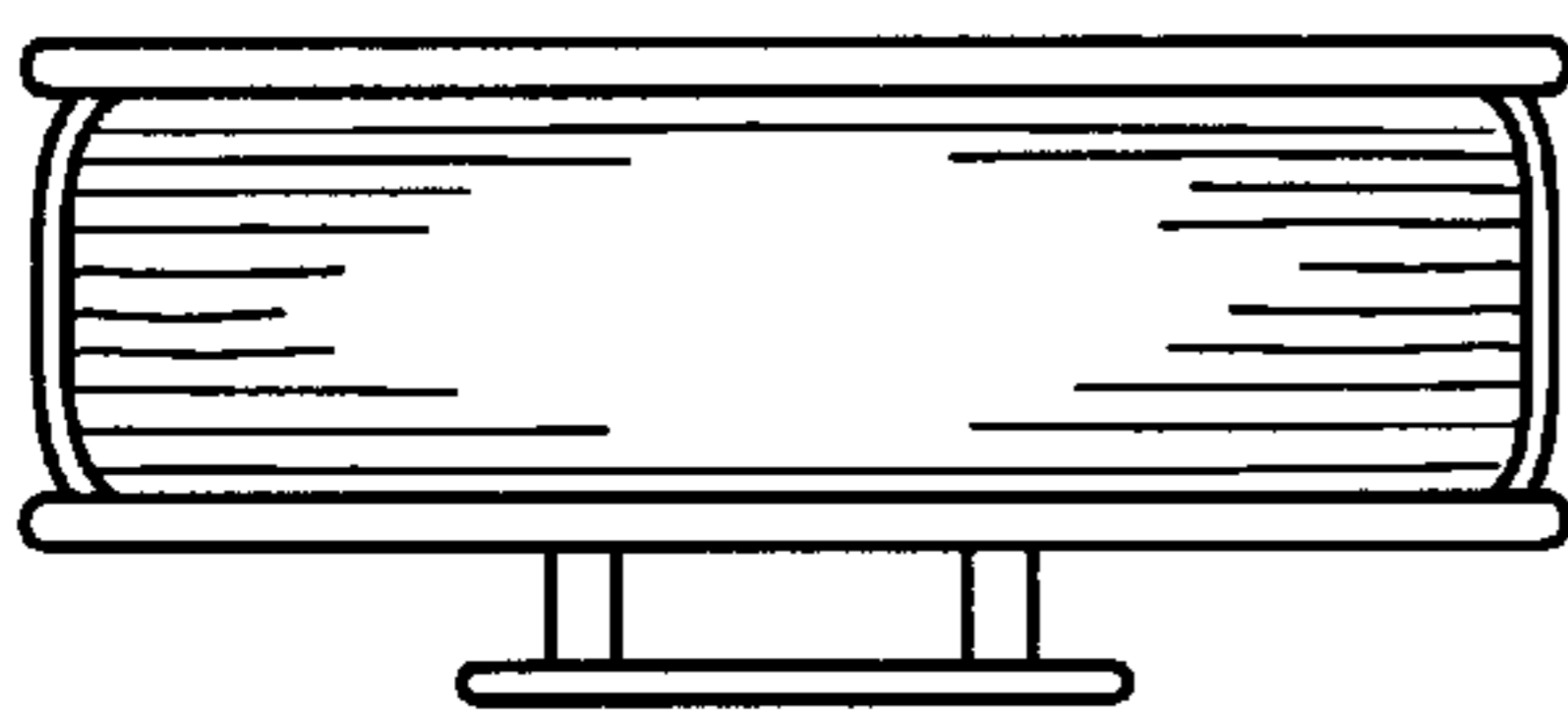


FIG. 6

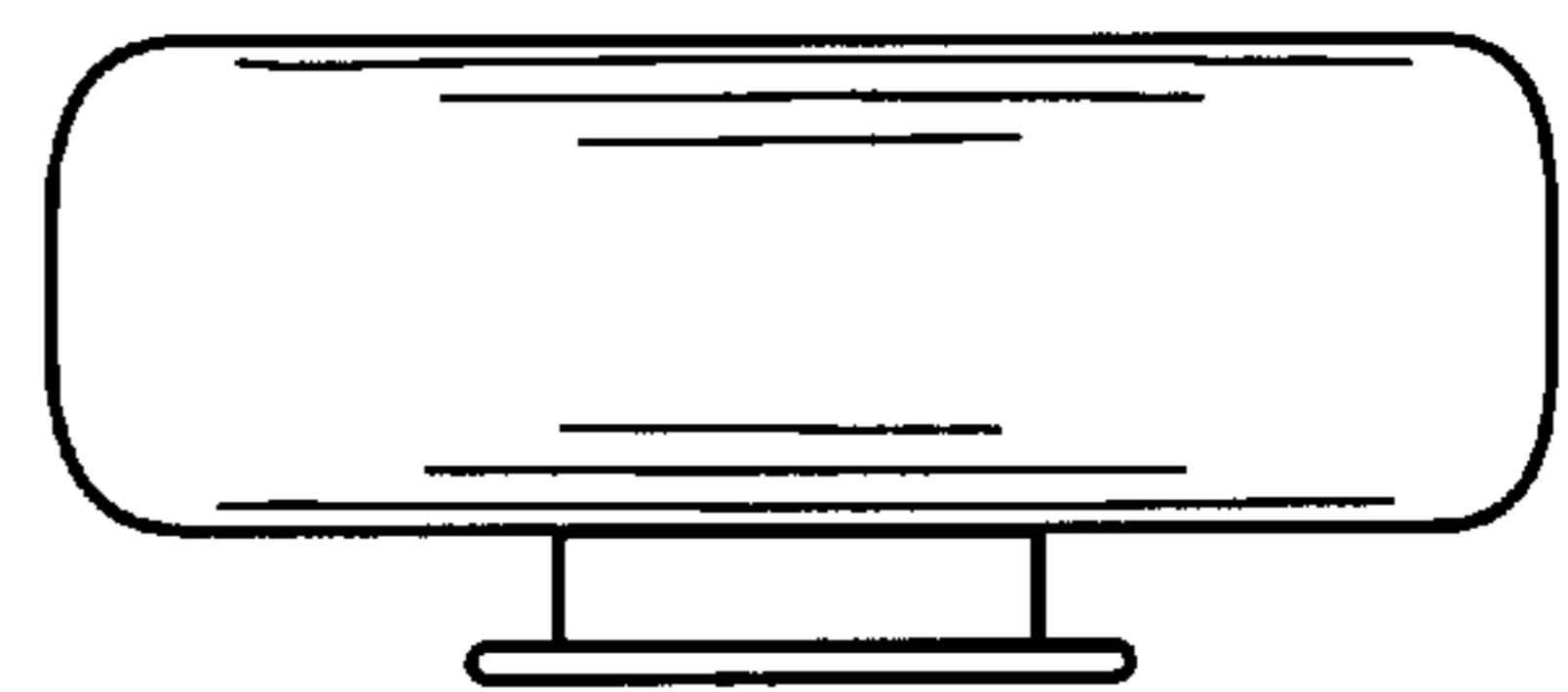


FIG. 7