



US00D475840S

(12) **United States Design Patent**
Park

(10) **Patent No.:** **US D475,840 S**

(45) **Date of Patent:** **** Jun. 17, 2003**

(54) **PIPING VISOR**

(75) Inventor: **Boo Yi Park**, Seoul (KR)

(73) Assignee: **DADA Corp.**, Seoul (KR)

(**) Term: **14 Years**

(21) Appl. No.: **29/154,861**

(22) Filed: **Feb. 1, 2002**

(51) **LOC (7) Cl.** **02-03**

(52) **U.S. Cl.** **D2/893**

(58) **Field of Search** D2/865, 866, 872,
D2/873, 876, 879, 882, 893; 2/171, 181,
195.1, 175.5, 209.12, 209.13

(56) **References Cited**

U.S. PATENT DOCUMENTS

D294,877 S	3/1988	Burley	
4,793,006 A	12/1988	Dawson	
5,003,639 A	4/1991	White	
5,075,898 A	12/1991	Bedient	
D349,596 S	8/1994	Booth	
6,138,279 A	* 10/2000	Gore	2/175.5
6,158,055 A	* 12/2000	Park	2/195.1
6,237,155 B1	* 5/2001	Seegar	2/175.1
6,272,689 B1	* 8/2001	Kronenberger	2/175.1

6,311,331 B1	* 11/2001	Park	2/195.1
D452,767 S	* 1/2002	Balloni et al.	D2/882
D453,608 S	* 2/2002	Park	D2/866
D455,539 S	* 4/2002	Kates	D2/882
6,408,443 B1	* 6/2002	Park	2/195.1
6,457,184 B1	* 10/2002	Adams	2/209.13

* cited by examiner

Primary Examiner—Doris V. Coles

Assistant Examiner—Mimosa De

(57) **CLAIM**

The ornamental design for a piping visor, as shown and described.

DESCRIPTION

FIG. 1 is a perspective view of a piping visor showing my new design;

FIG. 2 is a front elevational view of FIG. 1;

FIG. 3 is a top plan view of FIG. 1;

FIG. 4 is a right side elevational view of FIG. 1;

FIG. 5 is a bottom plan view of FIG. 1; and,

FIG. 6 is an enlarged fragmentary cross sectional view taken along line 6—6 of FIG. 3.

The broken line showing is for illustrative purposes only and forms no part of the claimed design.

1 Claim, 3 Drawing Sheets

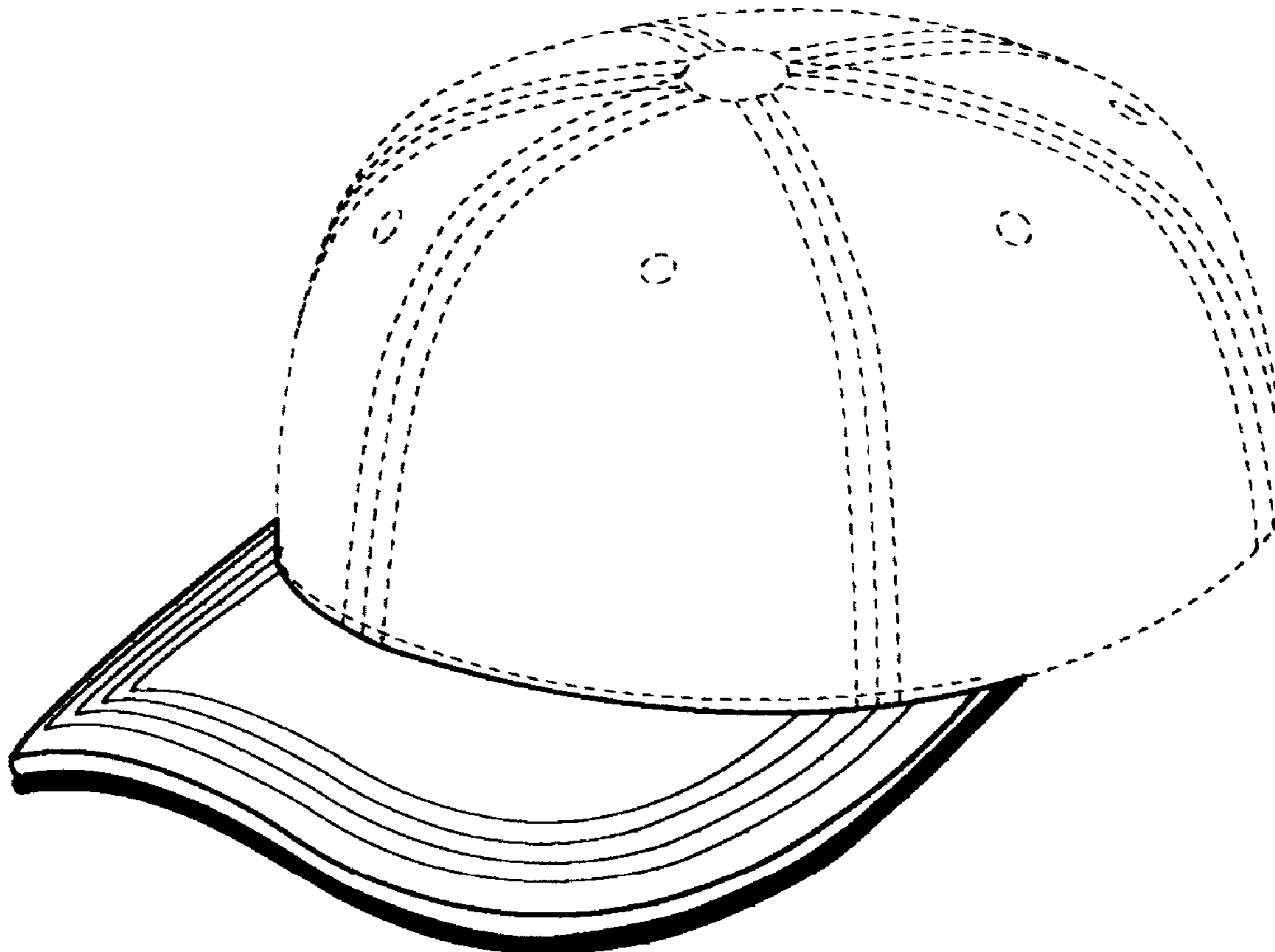


FIG.1

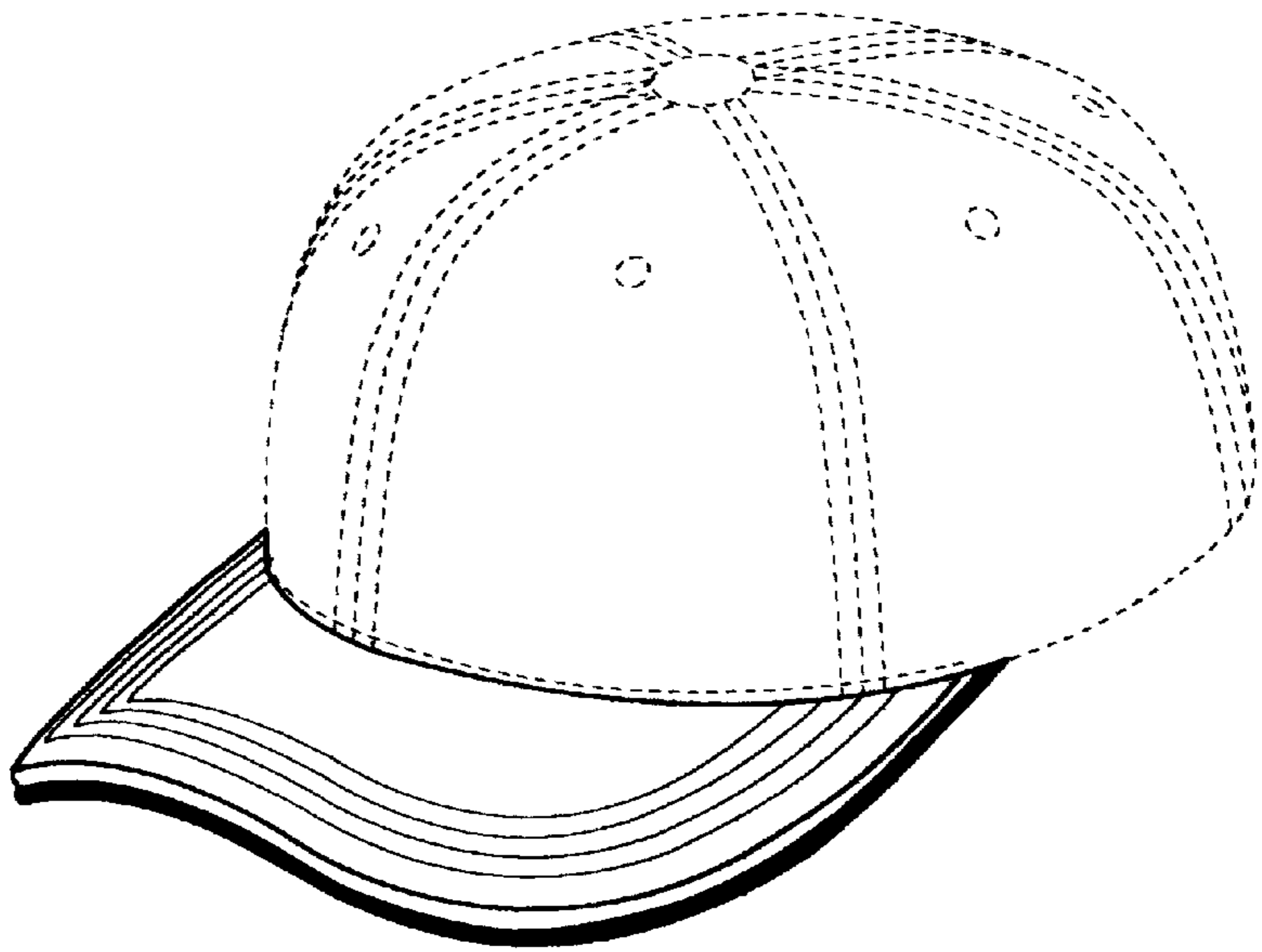


FIG.2

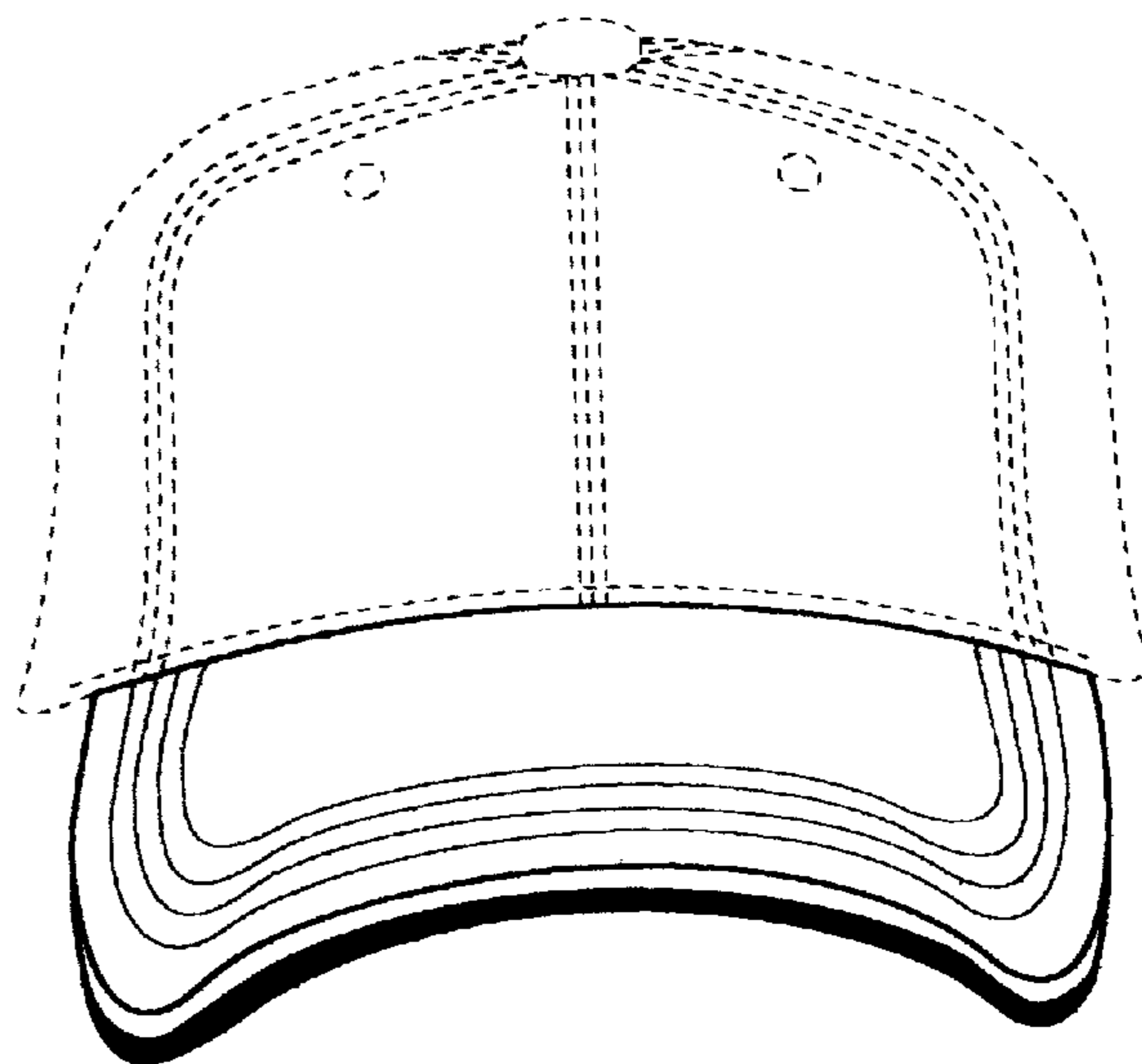


FIG.3

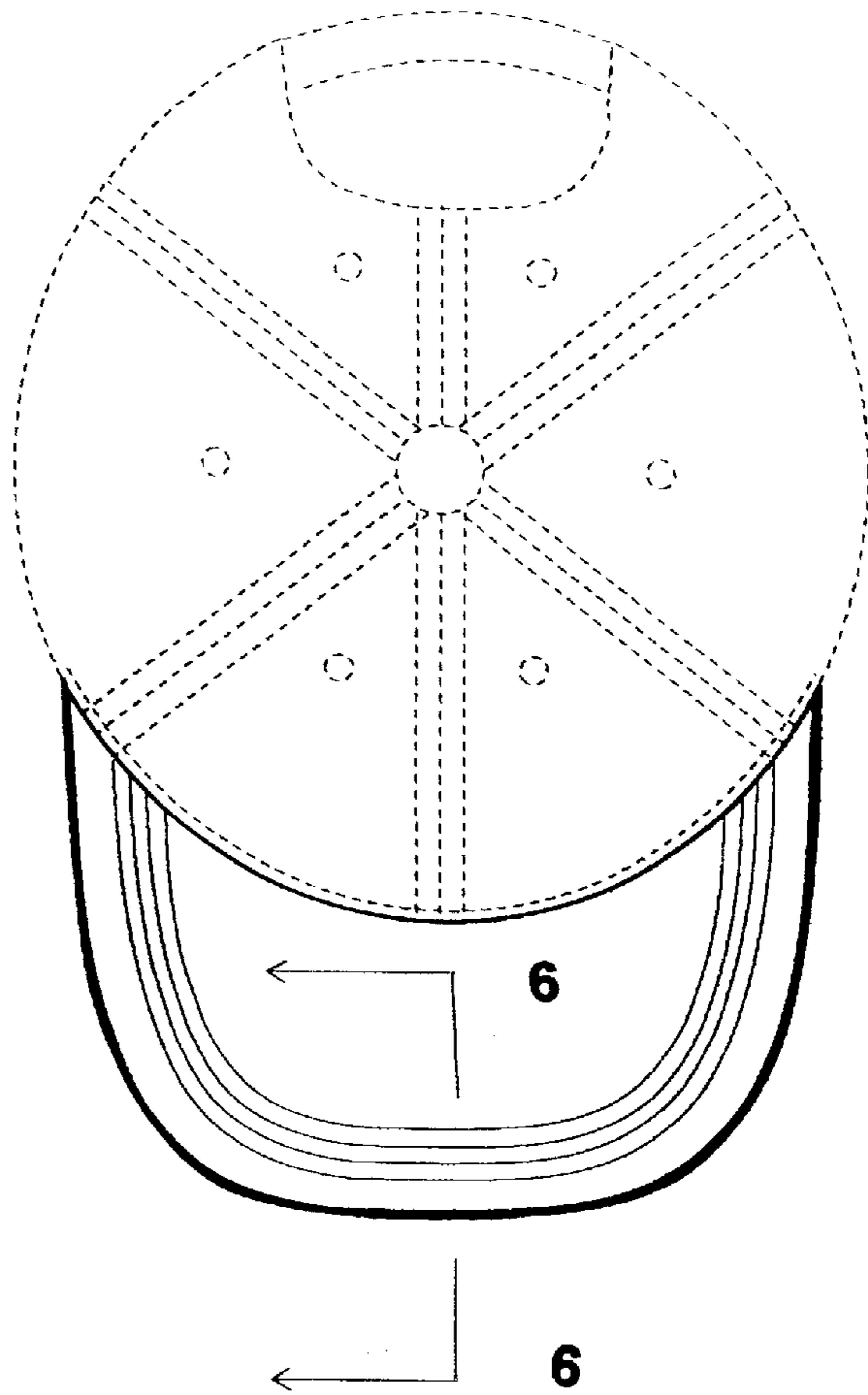


FIG.4

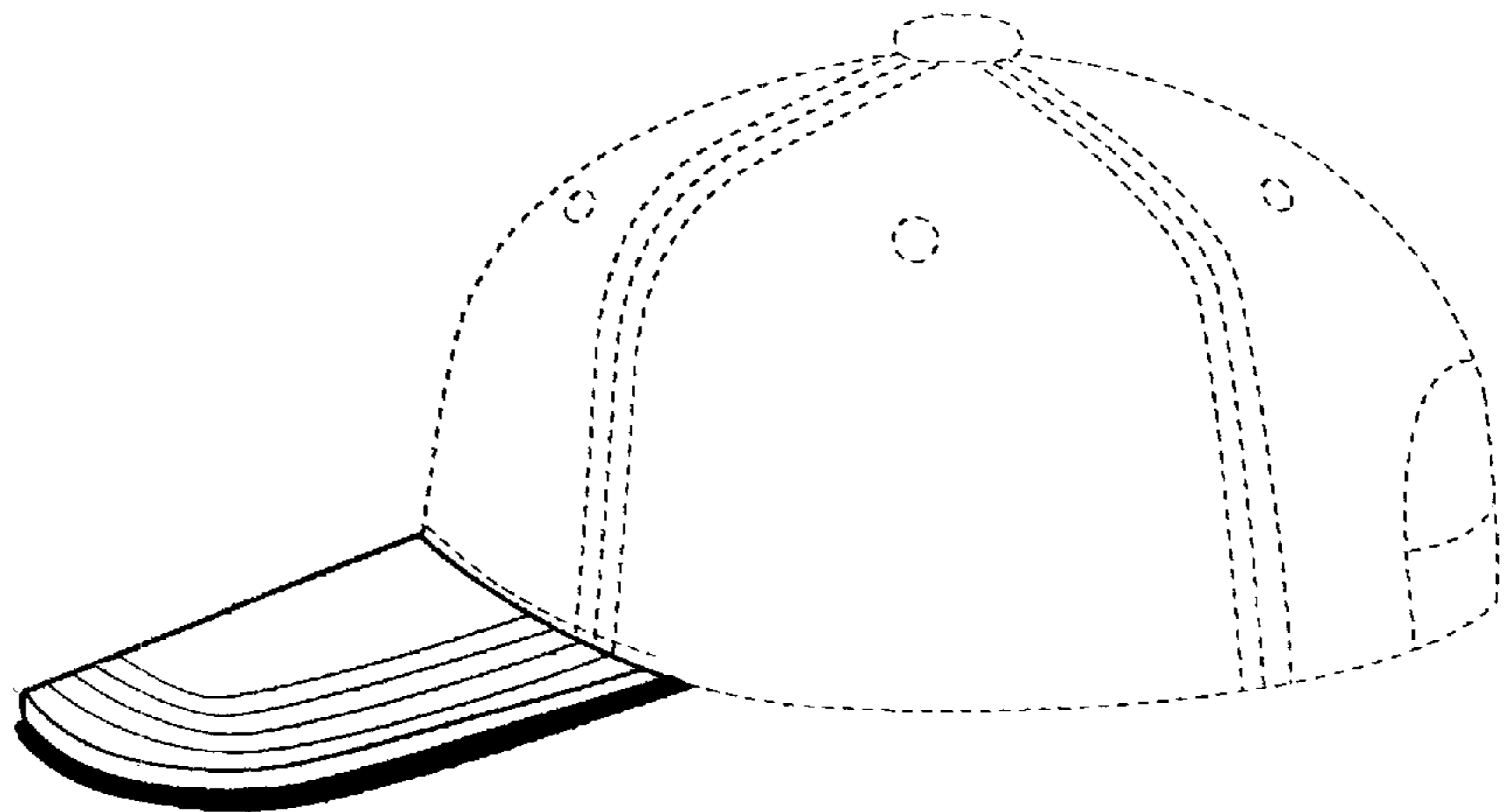


FIG.5

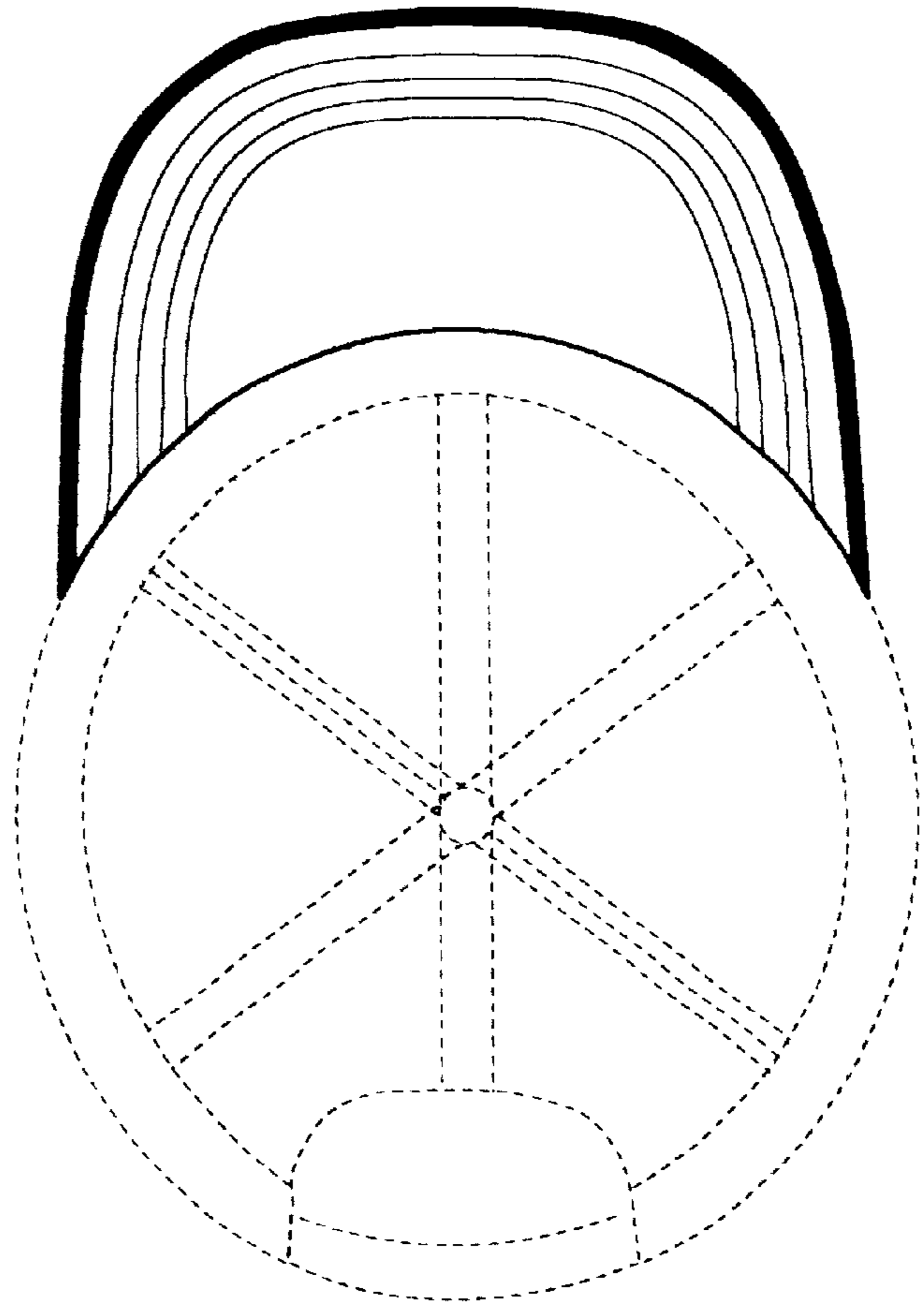


FIG.6

