



US00D475839S

(12) **United States Design Patent**  
**Park**

(10) **Patent No.:** **US D475,839 S**

(45) **Date of Patent:** **\*\* Jun. 17, 2003**

(54) **SQUARE HEADWEAR**

(75) **Inventor:** **Boo Yi Park, Seoul (KR)**

(73) **Assignee:** **DADA Corp., Seoul (KR)**

(\*\*) **Term:** **14 Years**

5,477,561 A	12/1995	Adkins	
5,608,914 A	3/1997	Keesler	
D383,707 S	* 9/1997	Waszkiewicz, III	..... D11/155
D392,914 S	* 3/1998	Friend	..... D11/143
5,906,006 A	5/1999	Castro, Jr.	
D415,336 S	* 10/1999	Feix	..... D2/869
D458,560 S	* 6/2002	D'Hulst	..... D11/155

(21) **Appl. No.:** **29/157,627**

(22) **Filed:** **Mar. 25, 2002**

(51) **LOC (7) Cl.** ..... **02-03**

(52) **U.S. Cl.** ..... **D2/865**

(58) **Field of Search** ..... D2/865, 866, 868,  
D2/869, 870, 878, 885, 886, 892, 893;  
2/171, 175.1, 175.2, 175.4, 175.5, 175.8,  
181, 195.1, 200.1, 200.2, 200.3, 209.11,  
209.13, 174, 171.04

(56) **References Cited**

**U.S. PATENT DOCUMENTS**

D80,543 S	* 2/1930	Smith	..... D11/155
5,048,128 A	9/1991	Watson	
5,249,308 A	10/1993	Blume	

\* cited by examiner

*Primary Examiner*—Doris V. Coles  
*Assistant Examiner*—Mimosa De

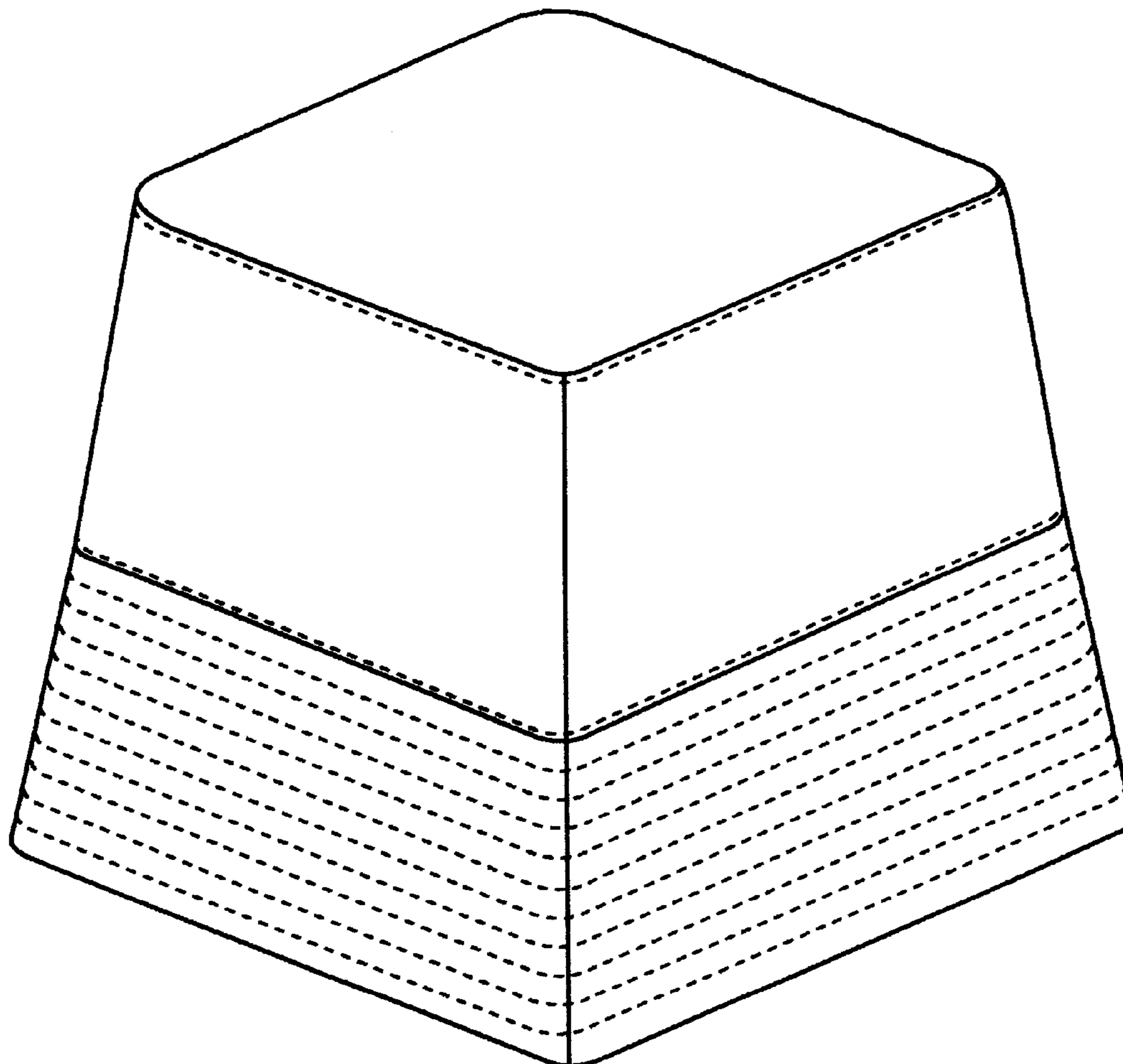
(57) **CLAIM**

The ornamental design for “square headwear,” as shown and described.

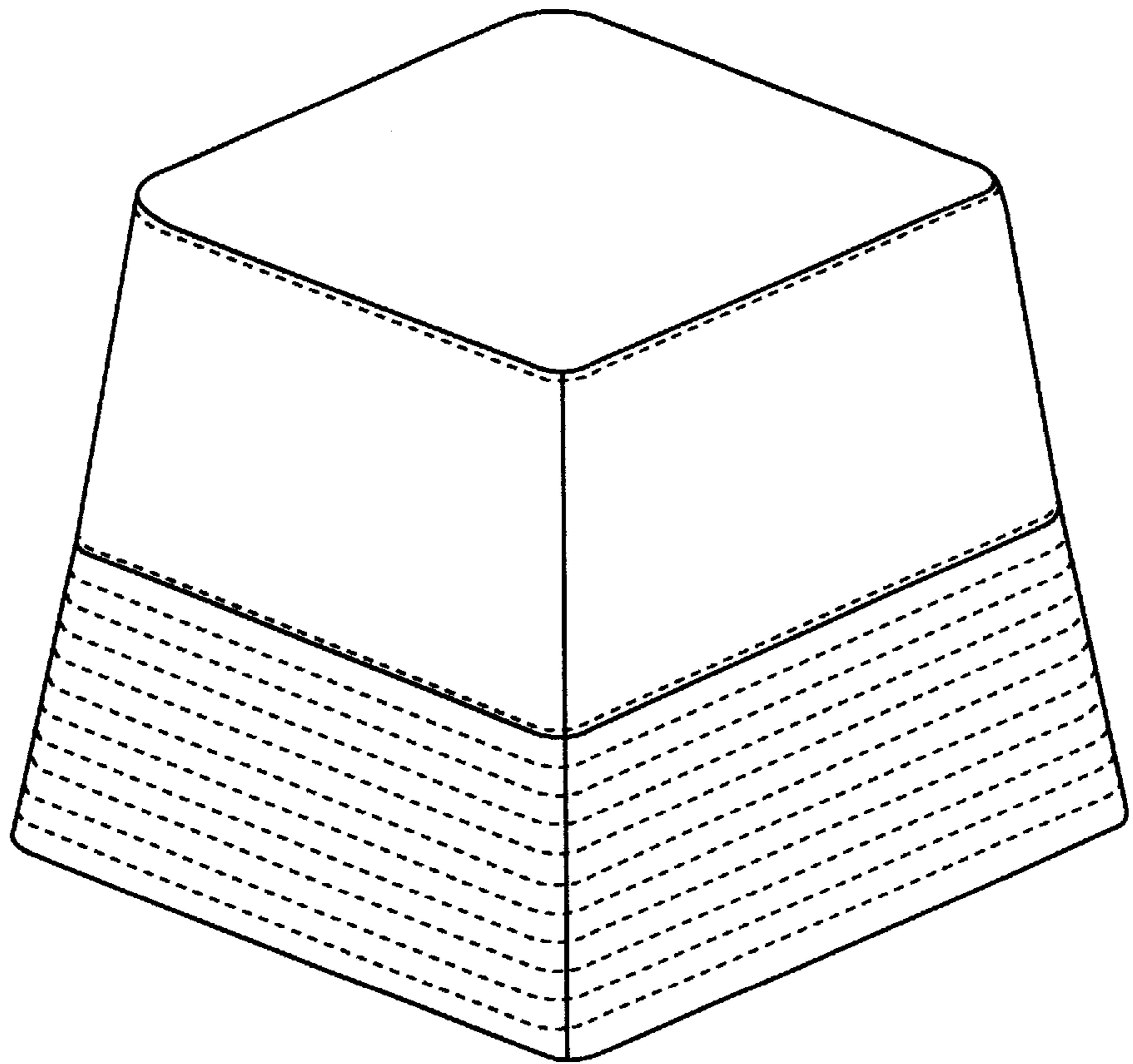
**DESCRIPTION**

FIG. 1 is a perspective view of “square headwear” showing my new design  
FIG. 2 is front elevational view of FIG. 1: a right, a left and a rear elevational view is same image as FIG. 2  
FIG. 3 is a top plan view of FIG. 1; and,  
FIG. 4 is a bottom plan view of FIG. 1.

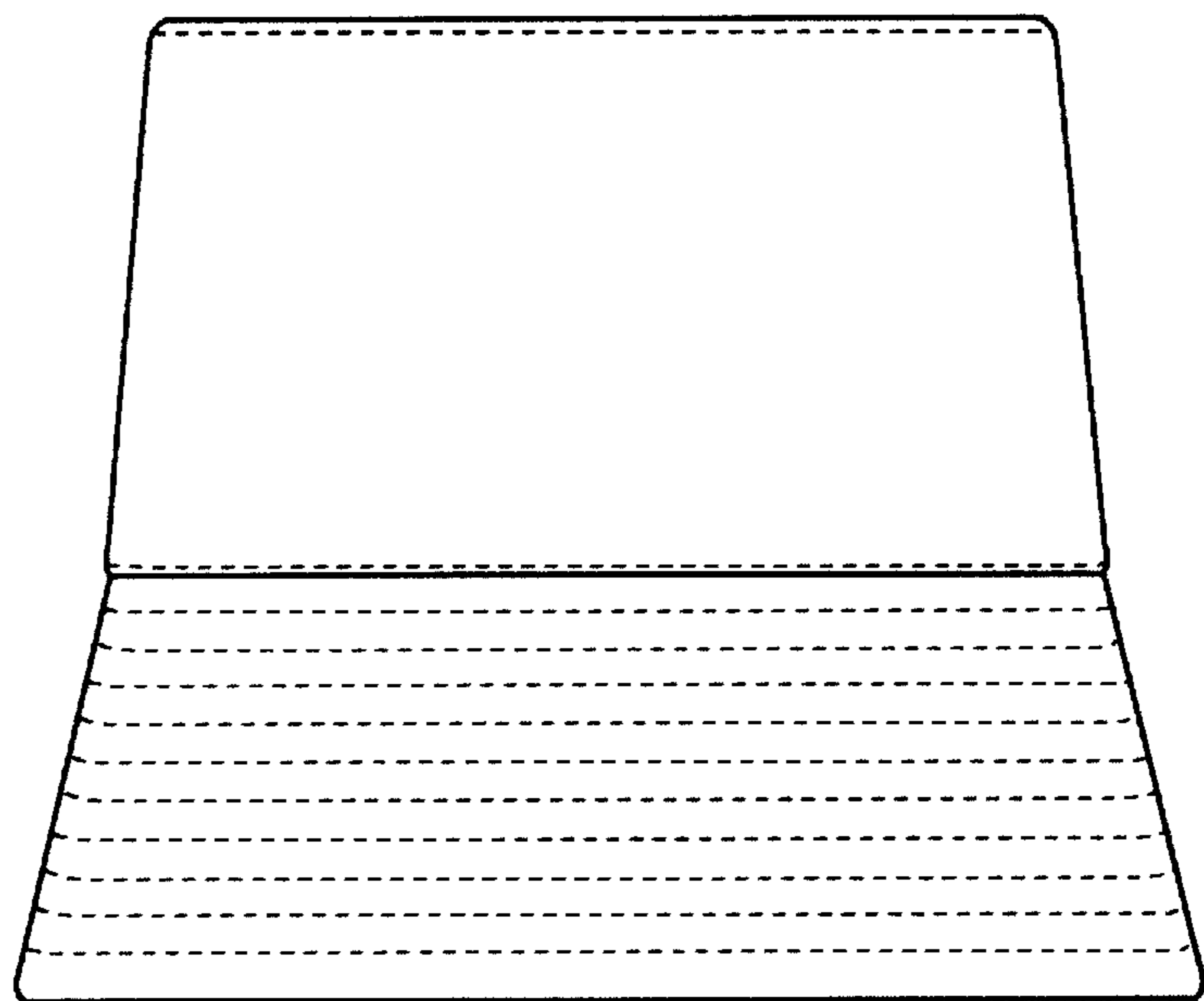
**1 Claim, 2 Drawing Sheets**



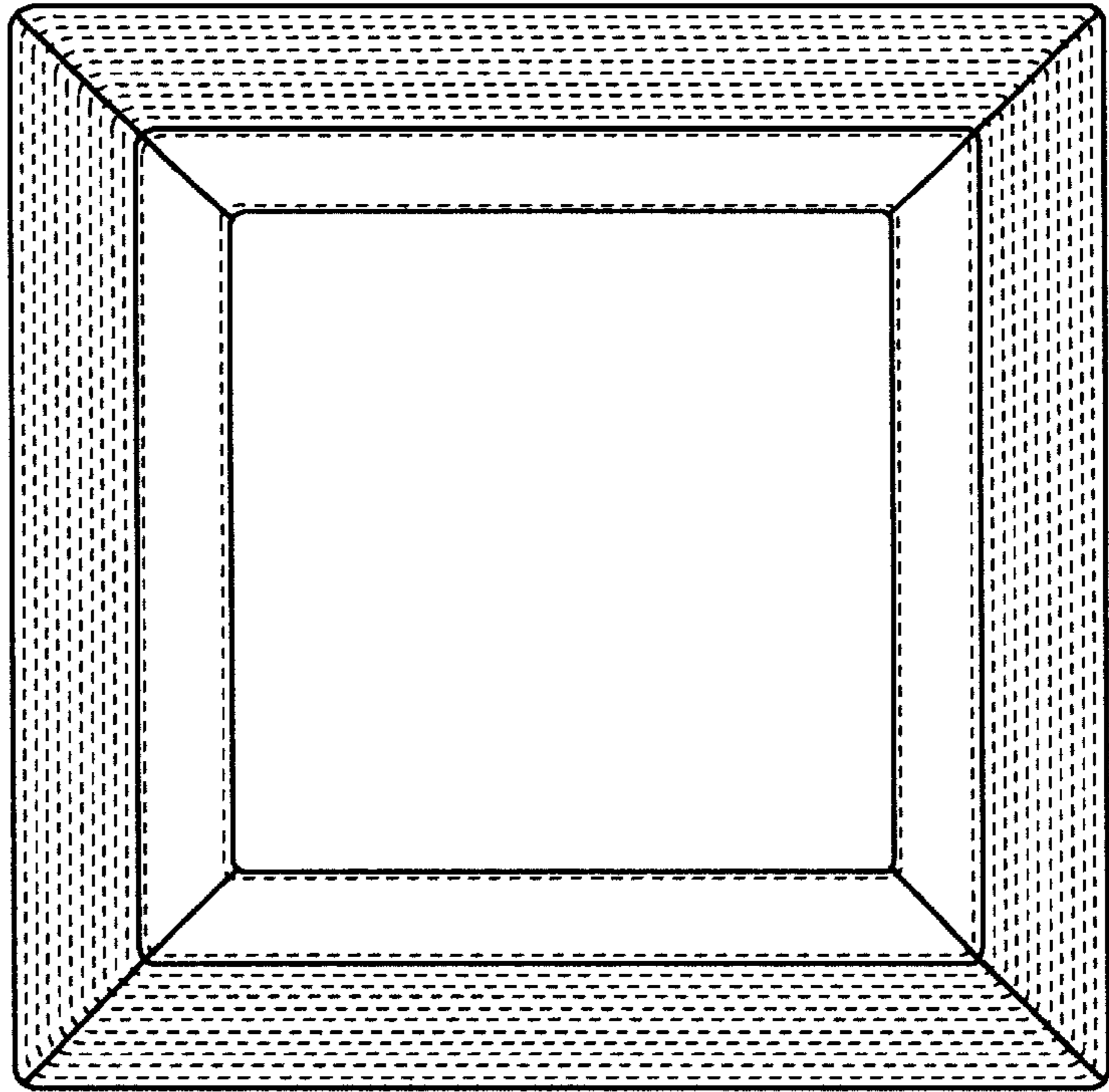
**FIG. 1**



**FIG. 2**



**FIG. 3**



**FIG. 4**

