



US00D475832S

(12) **United States Design Patent**  
**Fink**

(10) **Patent No.:** **US D475,832 S**

(45) **Date of Patent:** **\*\* Jun. 10, 2003**

(54) **DUAL VIEW MEMORIAL MARKER**

(76) Inventor: **Sandra B. Fink**, 206 Rolling Meadows,  
Bossier City, LA (US) 71112

(\*\*) Term: **14 Years**

(21) Appl. No.: **29/168,060**

(22) Filed: **Sep. 24, 2002**

(51) **LOC (7) Cl.** ..... **19-08**

(52) **U.S. Cl.** ..... **D99/18**

(58) **Field of Search** ..... D99/17-18, 24;  
40/124.5, 647, 653, 661, 669, 718; 52/38,  
104; D19/1; 248/156; D6/300, 312; D20/41,  
13

(56) **References Cited**

**U.S. PATENT DOCUMENTS**

1,276,798	A	*	8/1918	Norman	.....	40/124.5
1,573,268	A	*	2/1926	Norman	.....	40/124.5
1,589,199	A	*	6/1926	McNeill	.....	40/124.5
1,597,573	A	*	8/1926	Blue	.....	40/124.5
D265,746	S	*	8/1982	Robillard	.....	D20/41

D386,880	S	*	11/1997	Vaske	.....	D99/18
D436,135	S	*	1/2001	Emert	.....	D20/10
D467,436	S	*	12/2002	Fink	.....	D6/300

\* cited by examiner

*Primary Examiner*—Paula A. Mortimer  
(74) *Attorney, Agent, or Firm*—John M. Harrison

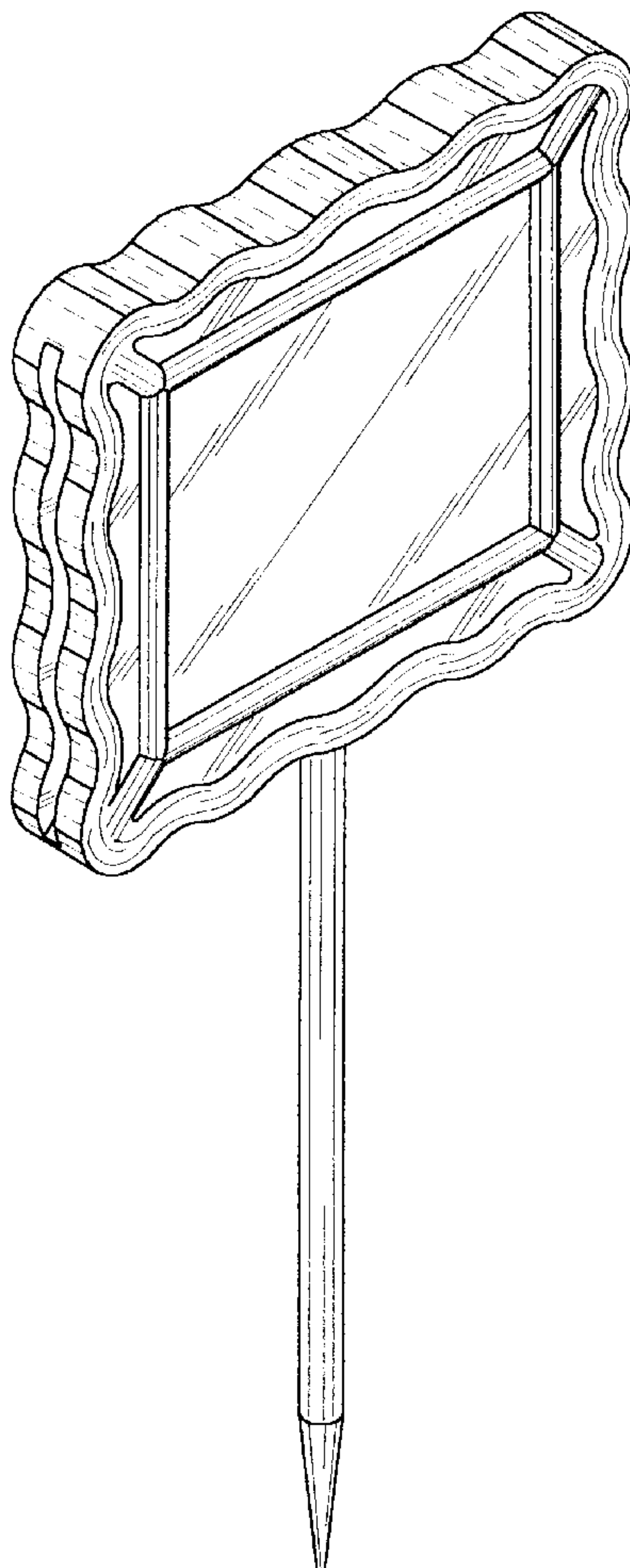
(57) **CLAIM**

The ornamental design for a “dual view memorial marker”,  
as shown and described.

**DESCRIPTION**

FIG. 1 is a front perspective view of the dual view memorial  
marker, showing my new design;  
FIG. 2 is a rear perspective view thereof;  
FIG. 3 is a top plan view of the dual view memorial marker;  
FIG. 4 is a front view thereof;  
FIG. 5 is a right side elevational view thereof;  
FIG. 6 is a bottom elevational view thereof;  
FIG. 7 is a rear view thereof; and,  
FIG. 8 is a right side elevational view of the dual view  
memorial marker illustrated in FIGS. 1-7.

**1 Claim, 3 Drawing Sheets**



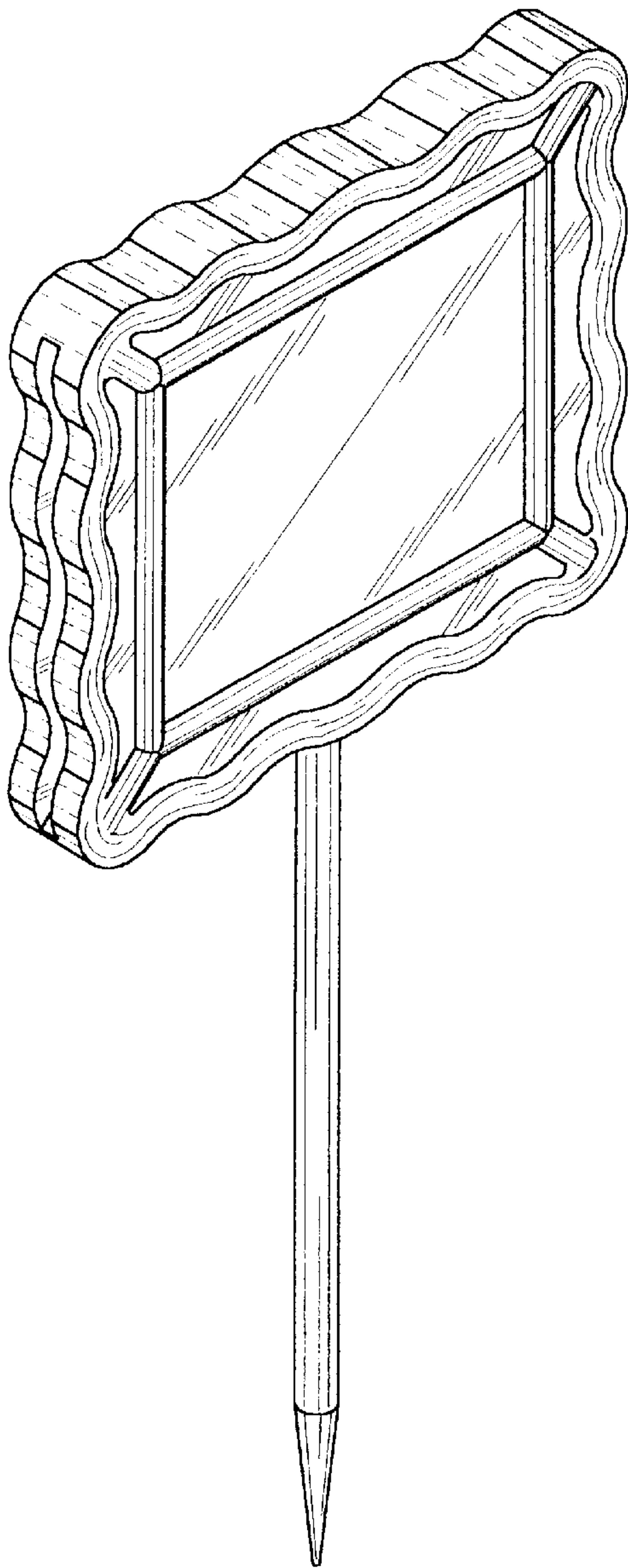


FIG. 1

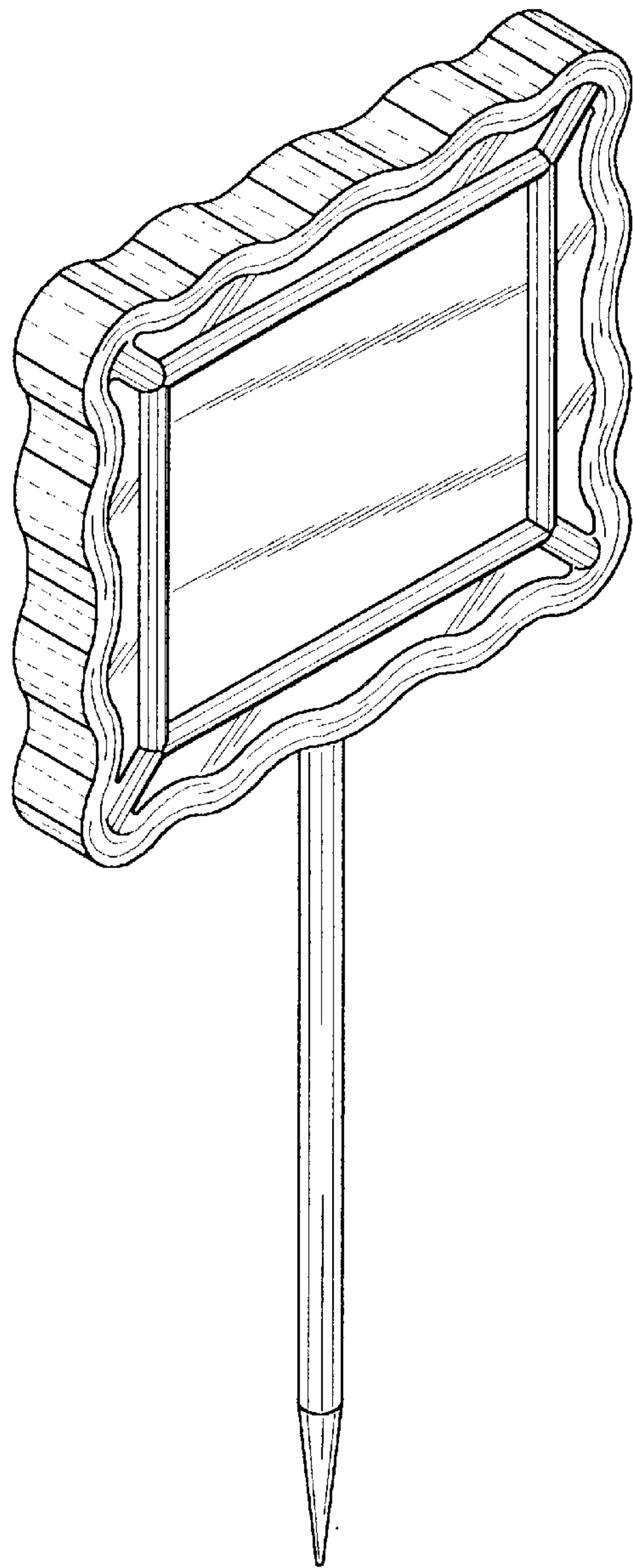


FIG. 2

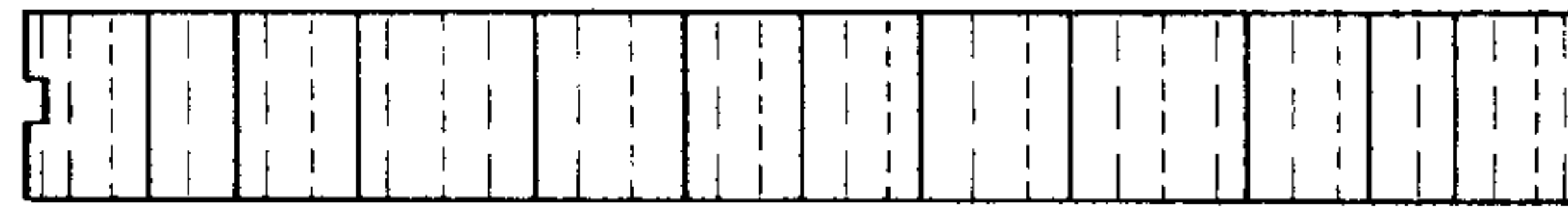


FIG. 3

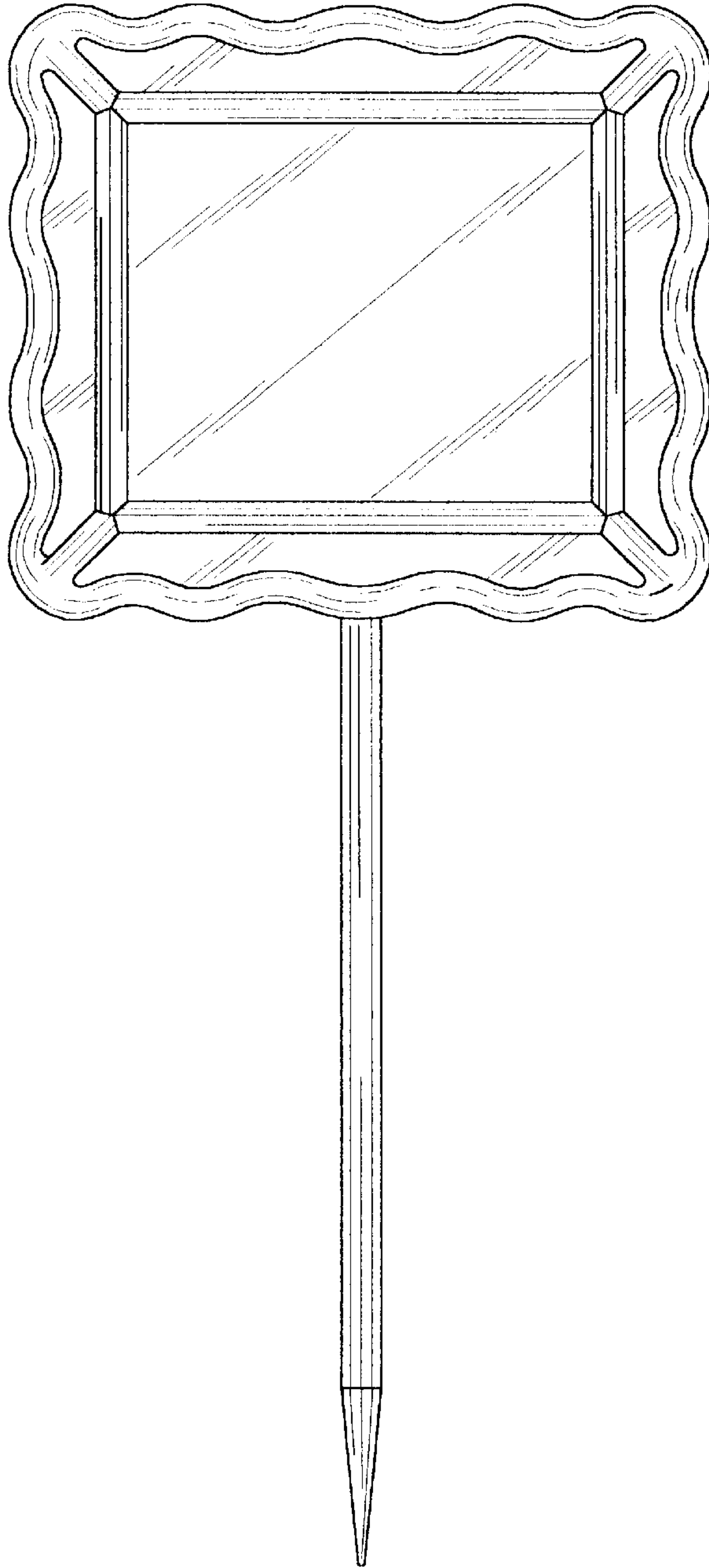


FIG. 4

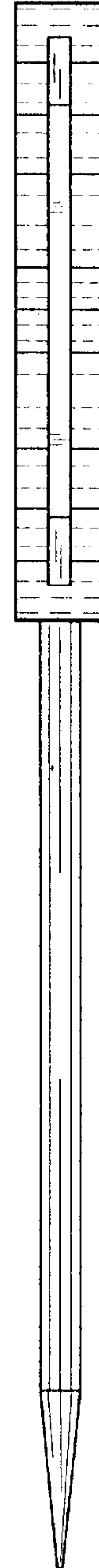


FIG. 5

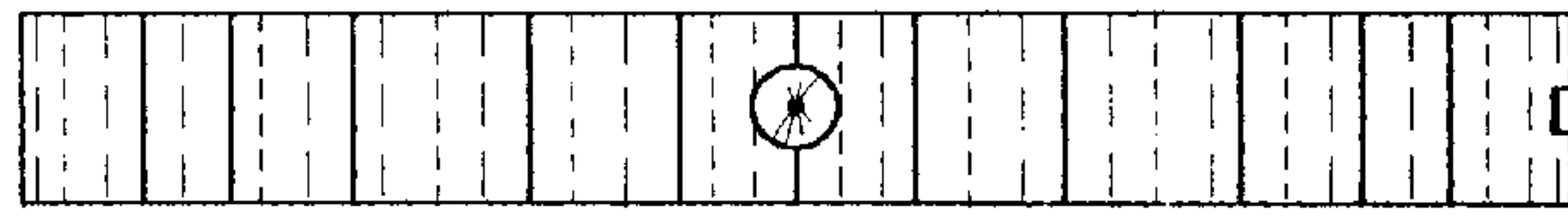


FIG. 6

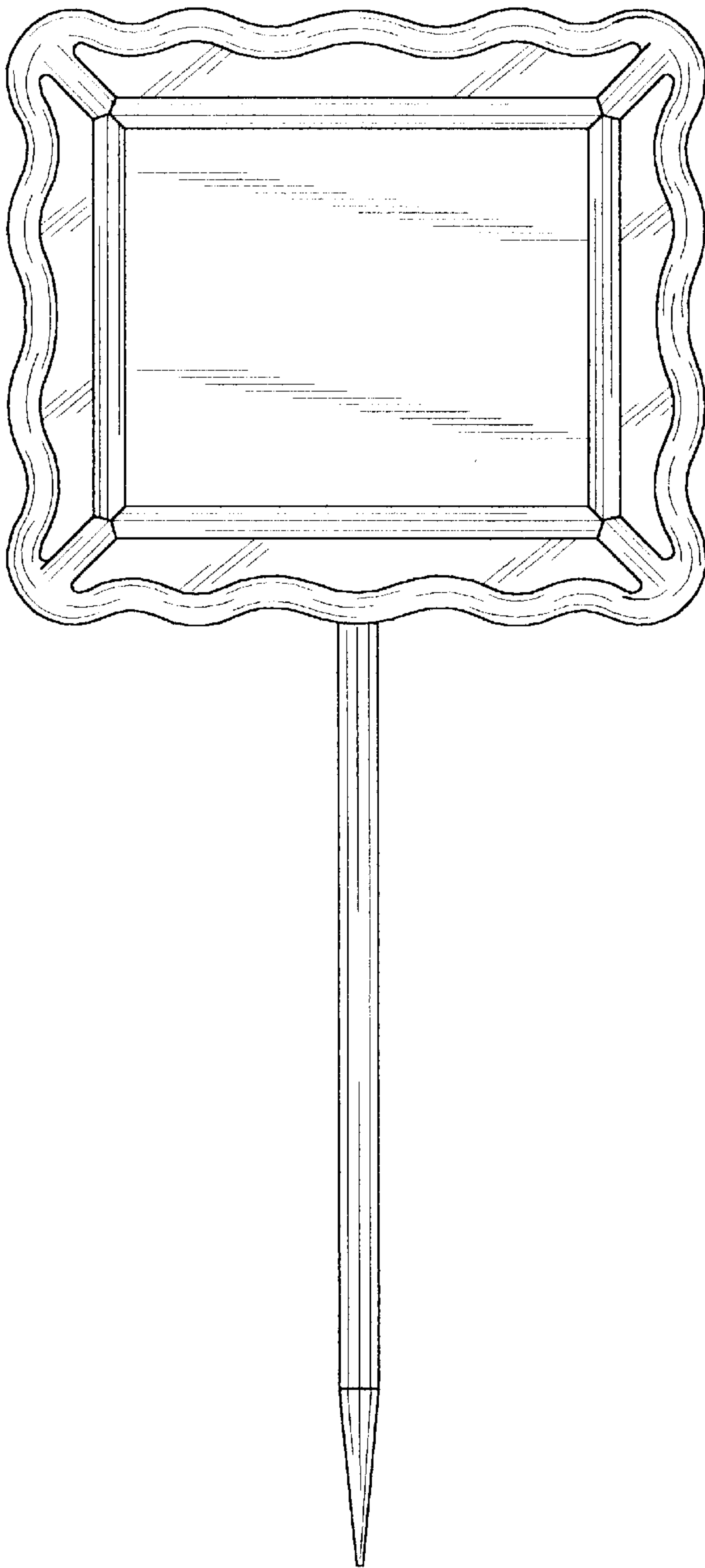


FIG. 7

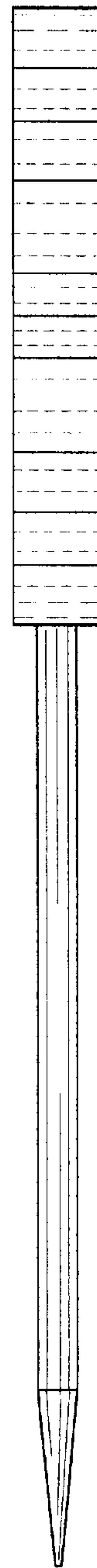


FIG. 8