



US00D475831S

(12) **United States Design Patent**
Sansevero et al.

(10) **Patent No.:** **US D475,831 S**

(45) **Date of Patent:** **** Jun. 10, 2003**

(54) **ESCALATOR HANDRAIL ENTRY**

(75) **Inventors:** **Frank Sansevero**, Glastonbury, CT (US); **Thomas Swyst**, Arlington, MA (US); **Carla Majuntke**, Bristol, CT (US); **Charles Darling**, New Britain, CT (US)

(73) **Assignee:** **Otis Elevator Company**, Farmington, CT (US)

(**) **Term:** **14 Years**

(21) **Appl. No.:** **29/161,523**

(22) **Filed:** **May 31, 2002**

(51) **LOC (7) Cl.** **12-05**

(52) **U.S. Cl.** **D34/30**

(58) **Field of Search** D34/30; 187/406; 198/331, 335, 336, 338, 321

(56) **References Cited**

U.S. PATENT DOCUMENTS

2,113,173	A	*	4/1938	Dunn et al.	198/331
3,941,241	A	*	3/1976	Hishitani	198/331
3,970,187	A	*	7/1976	Esaki et al.	198/338
3,989,133	A	*	11/1976	Courson et al.	198/335
D298,375	S	*	11/1988	Herrmann et al.	D34/30
4,798,274	A	*	1/1989	Saito	198/338
D338,309	S	*	8/1993	Johnson et al.	D34/30

D342,914	S	*	1/1994	Grieco	D34/30
D344,384	S	*	2/1994	Yamamoto et al.	D34/30
D348,756	S	*	7/1994	Barrett et al.	D34/30
D348,757	S	*	7/1994	Rivera et al.	D34/30
5,366,060	A	*	11/1994	Johnson et al.	198/335
5,634,546	A	*	6/1997	Ostermeier et al.	198/335
D420,189	S	*	2/2000	Kleewein et al.	D34/30

* cited by examiner

Primary Examiner—Cynthia E. Ramirez

(57) **CLAIM**

The ornamental design for an escalator handrail entry, as shown and described.

DESCRIPTION

FIG. 1 is a perspective view of an escalator showing an inventive design for handrail entries as shown in full lines, in four locations. Portions of the escalator shown in broken lines form no part of the design;

FIG. 2 is a view taken along the line 2—2 of FIG. 1 of the handrail entry;

FIG. 3 is a view similar to FIG. 2 showing the opposite side thereof;

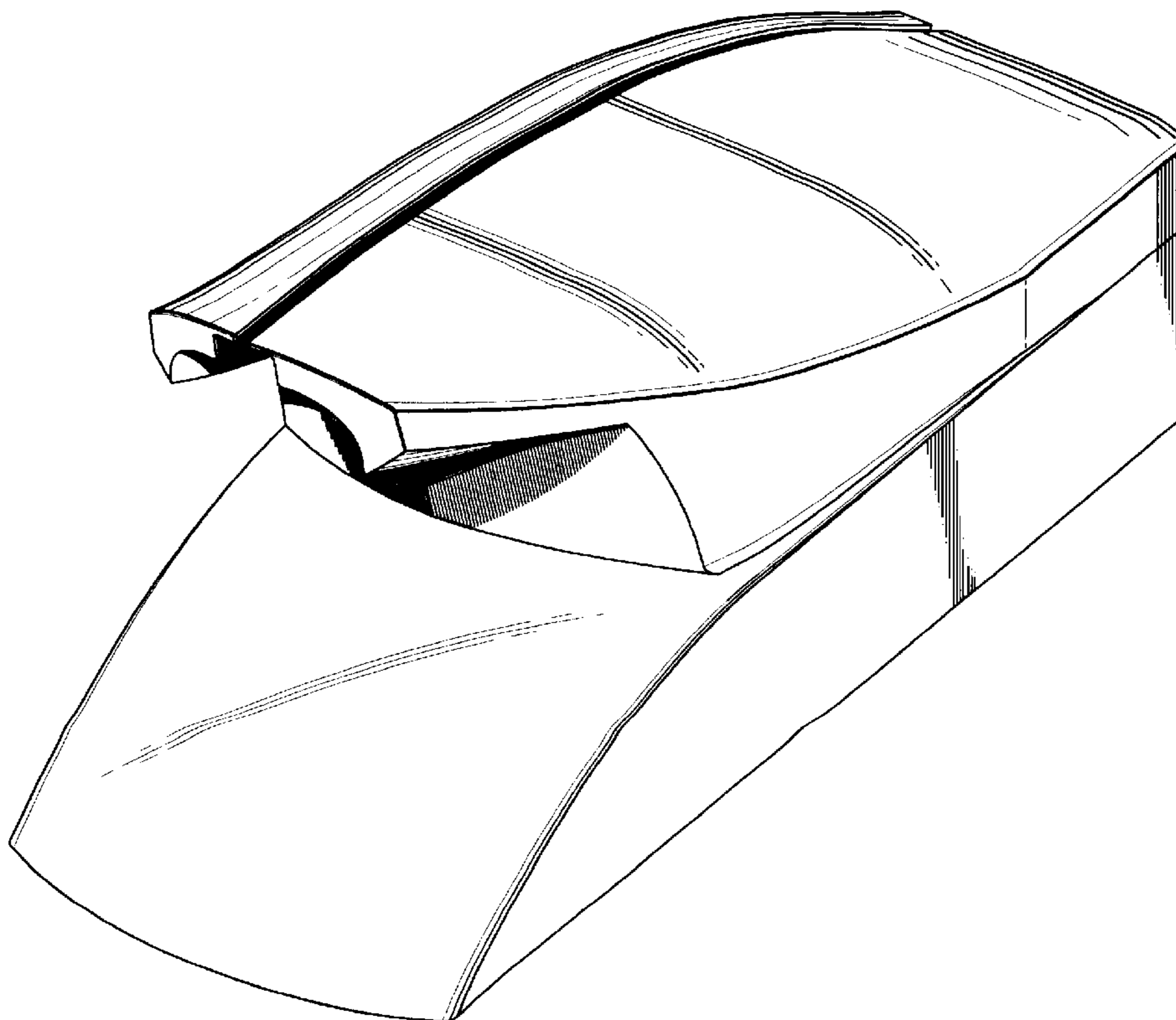
FIG. 4 is a view from the front thereof;

FIG. 5 is a view from the right side thereof;

FIG. 6 is a view from the top thereof; and,

FIG. 7 is a view from the left side thereof.

1 Claim, 3 Drawing Sheets



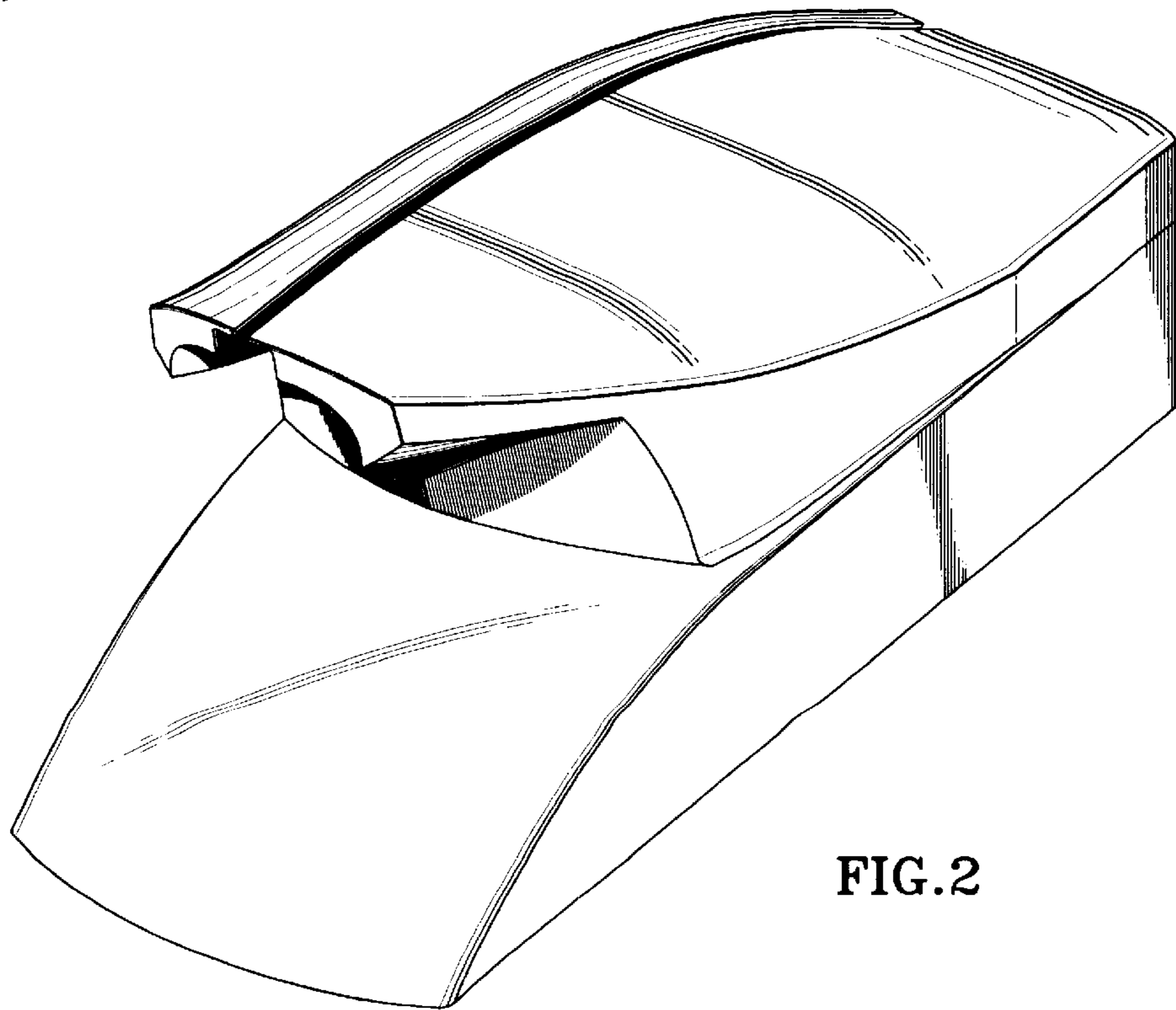
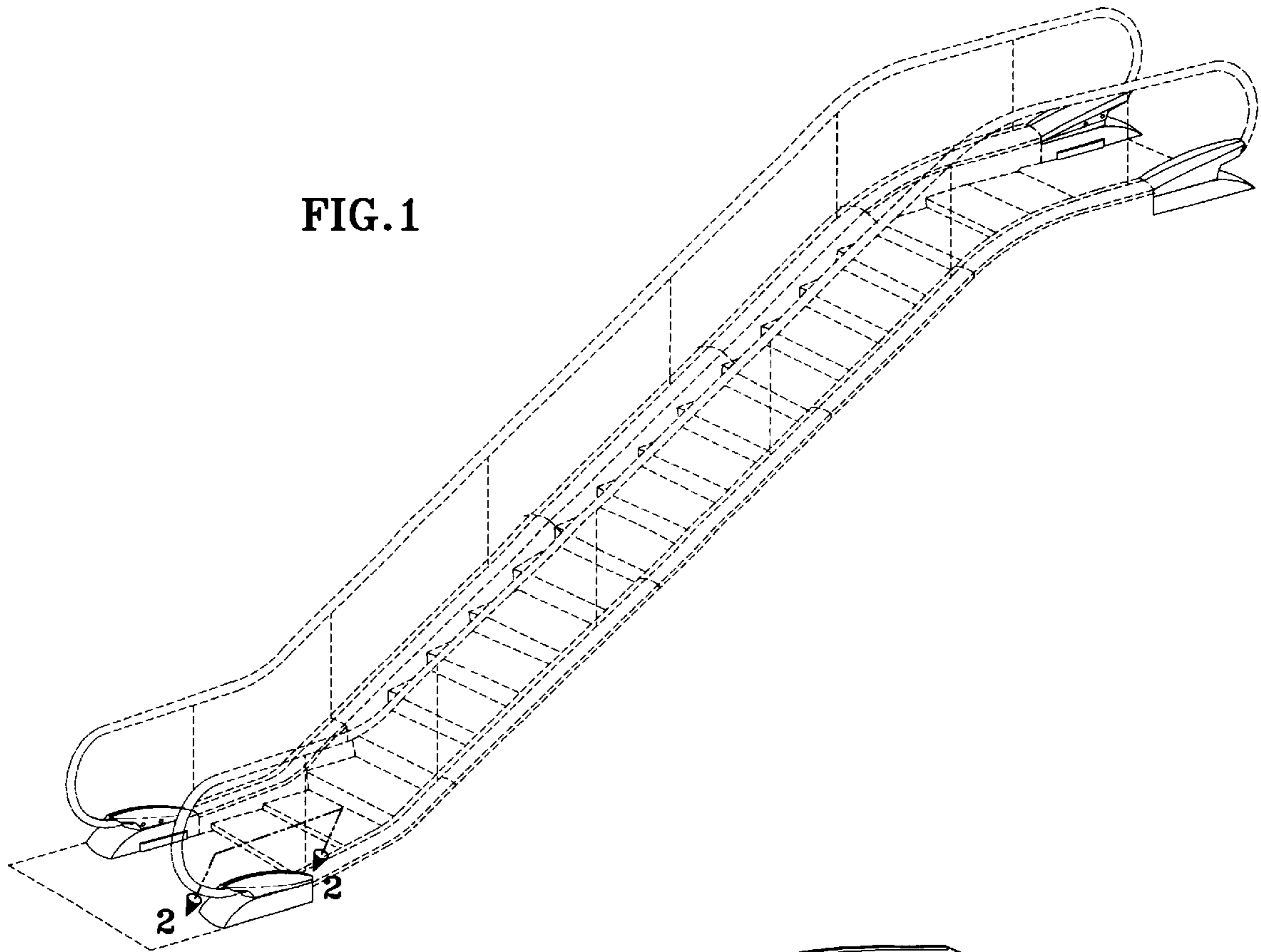


FIG.3

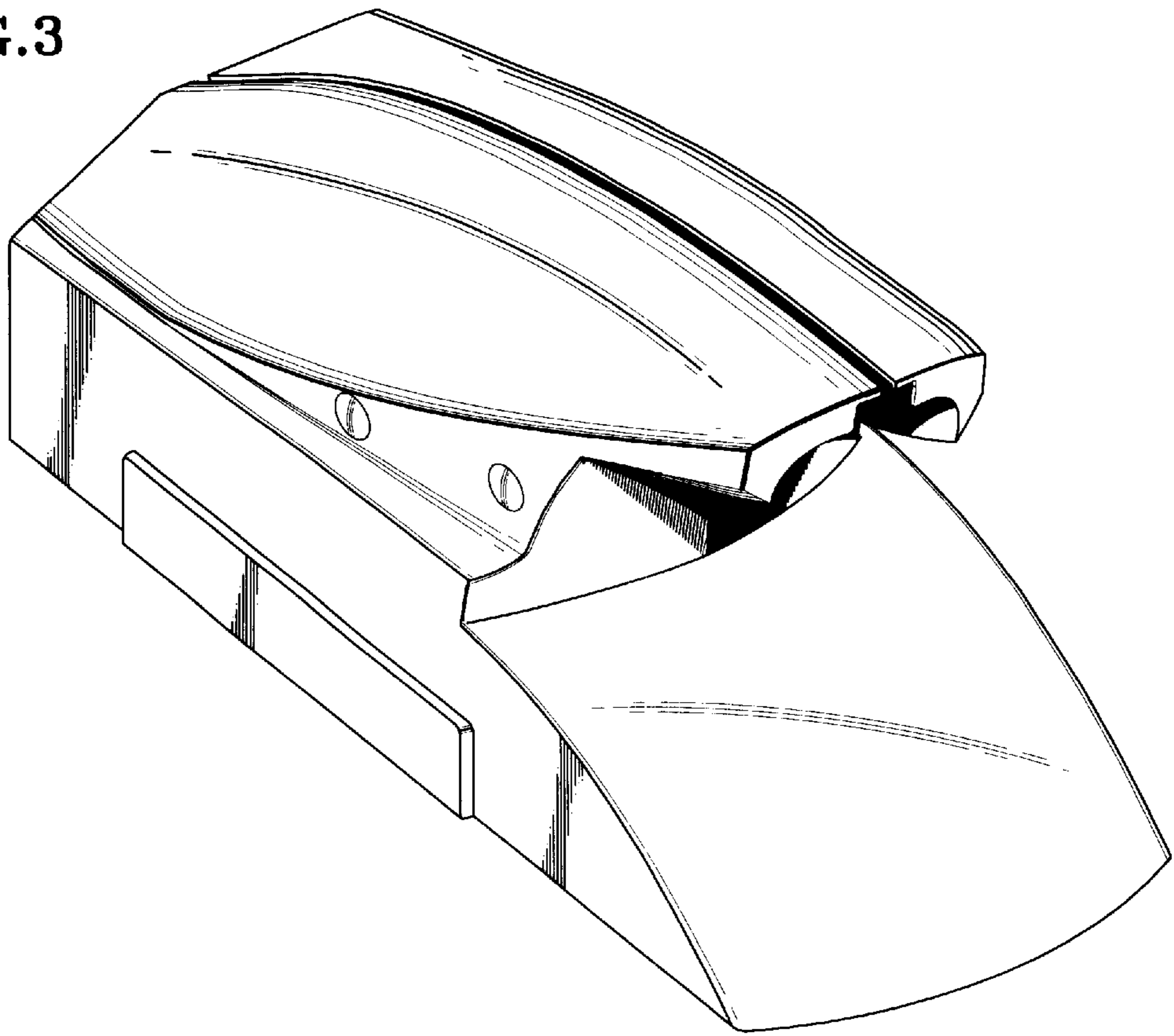


FIG.4

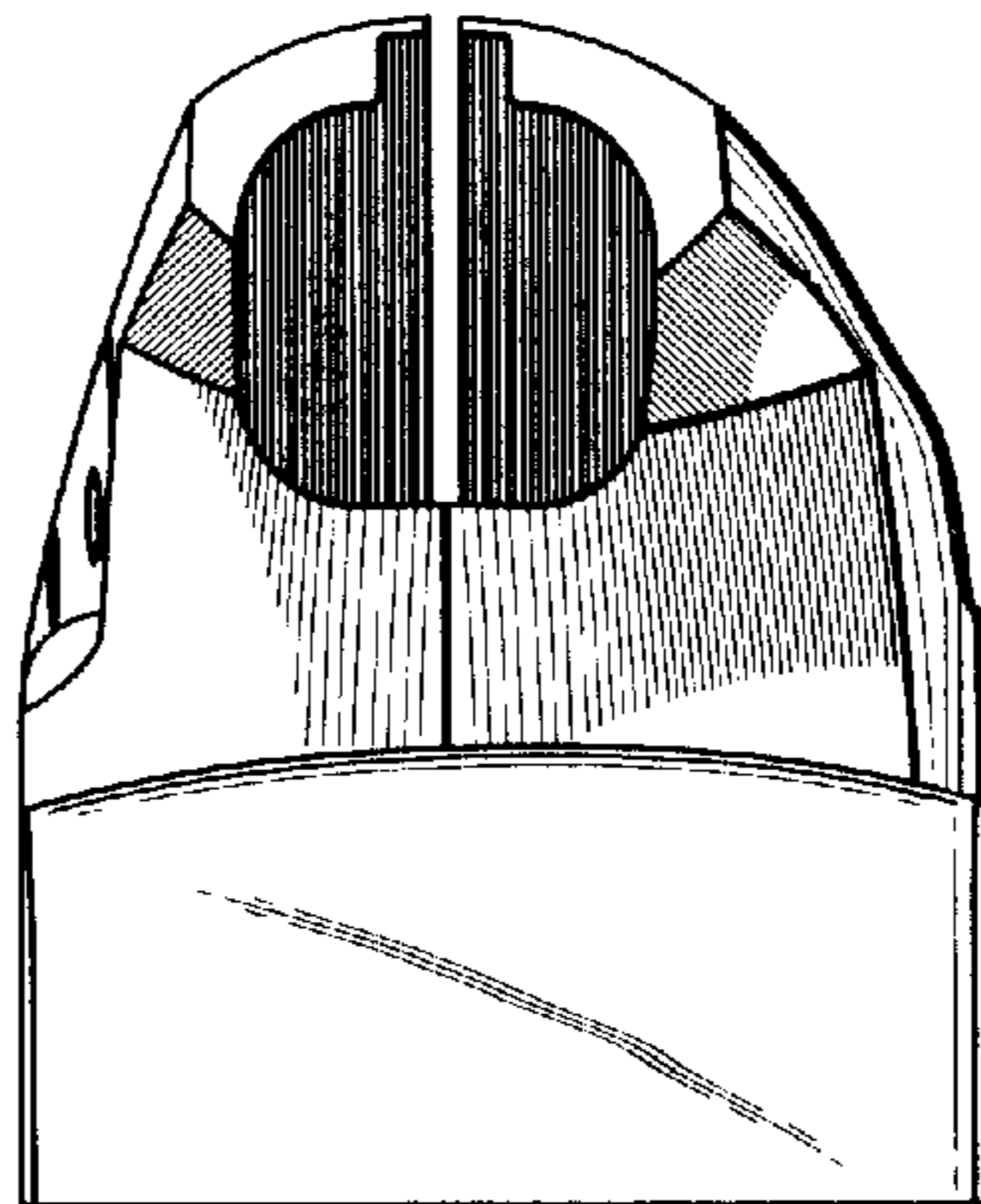


FIG.5

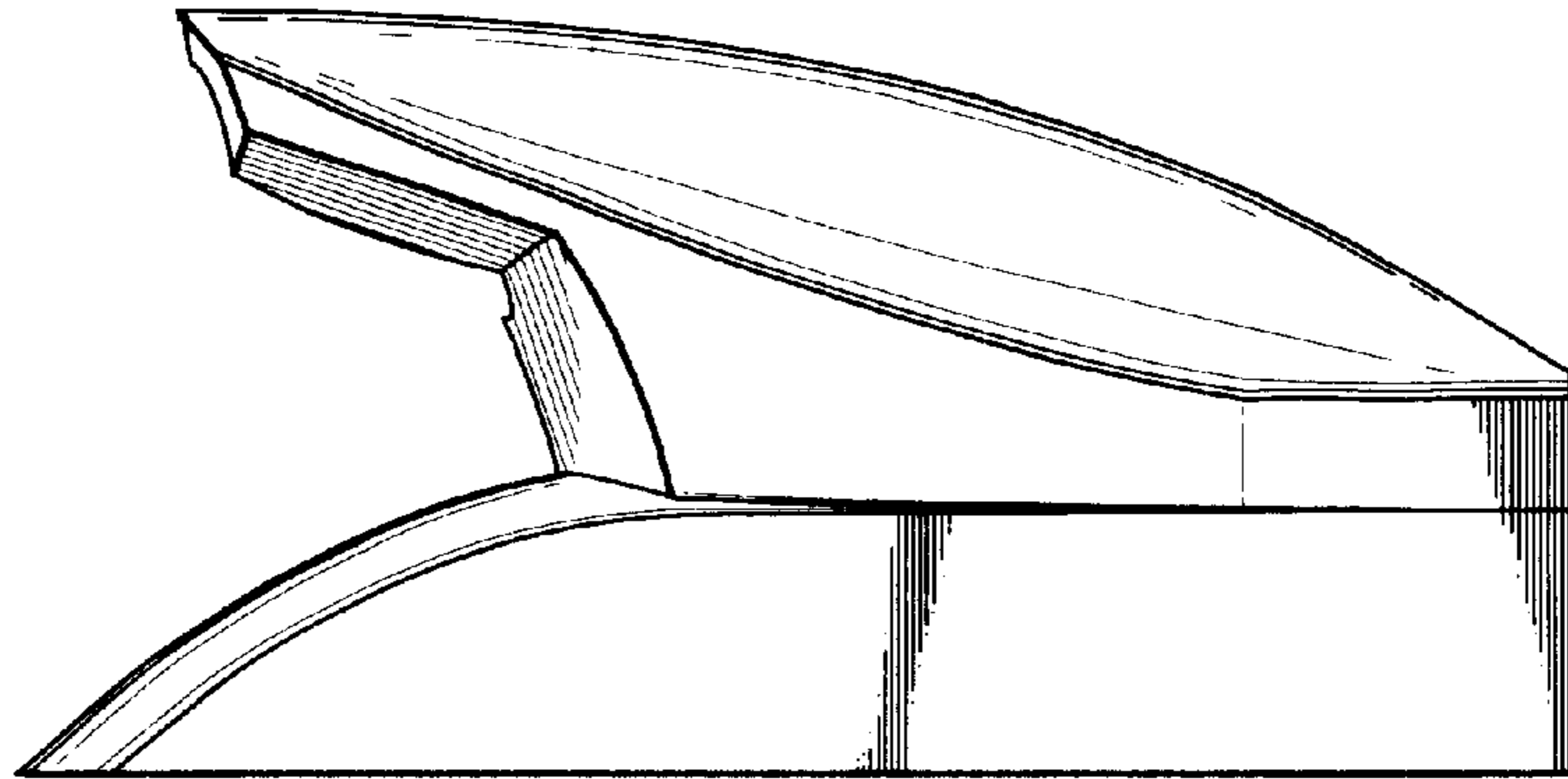


FIG.6

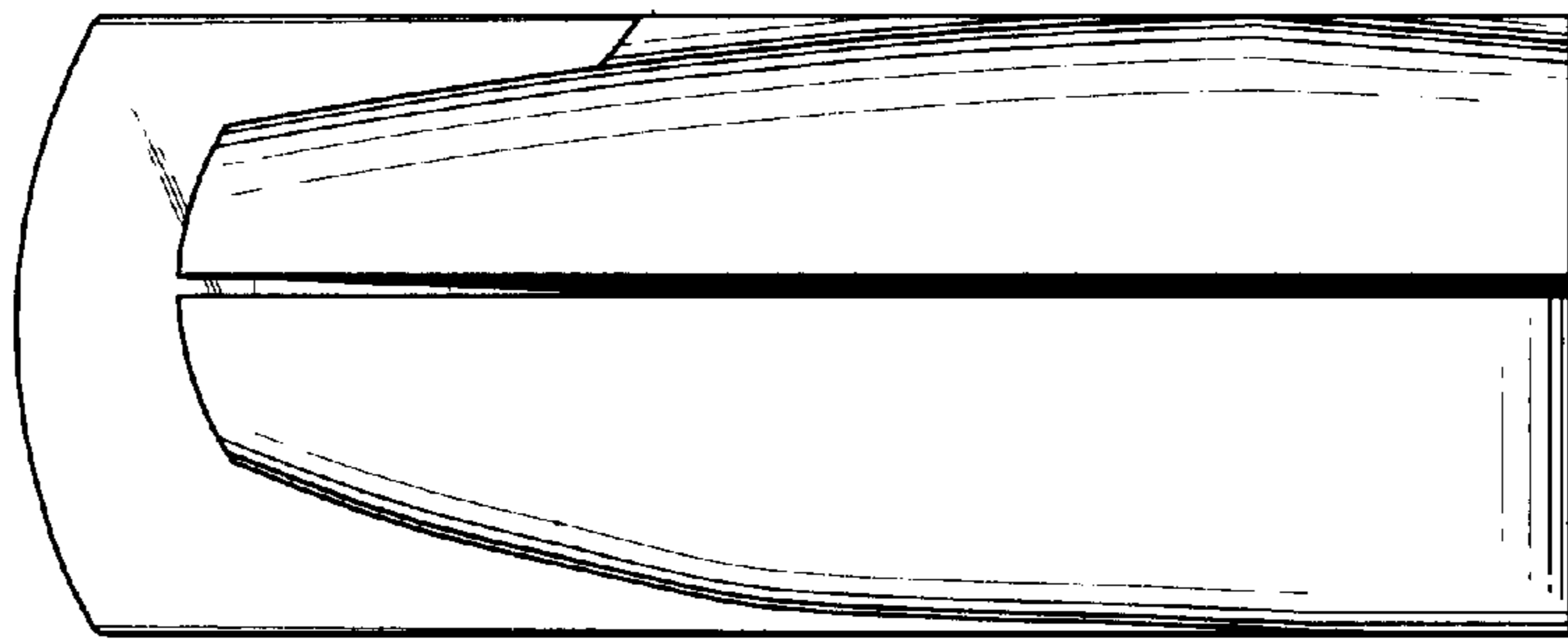


FIG.7

