



US00D475829S

(12) **United States Design Patent**
DiStaulo

(10) **Patent No.:** **US D475,829 S**

(45) **Date of Patent:** **** Jun. 10, 2003**

(54) **PLOW BLADE MOUNT**

(75) **Inventor:** **Michael DiStaulo**, Aurora, OH (US)

(73) **Assignee:** **All-Type Welding and Fabrication, Inc.**, Glenwillow, OH (US)

(**) **Term:** **14 Years**

(21) **Appl. No.:** **29/154,021**

(22) **Filed:** **Jan. 15, 2002**

(51) **LOC (7) Cl.** **12-05**

(52) **U.S. Cl.** **D34/28**

(58) **Field of Search** D34/28, 18, 23,
D34/27; 414/429, 426; 280/62, 79.7, 79.11,
79.3, 43.24

(56) **References Cited**

U.S. PATENT DOCUMENTS

469,507	A	*	2/1892	Spencer	280/79.11
2,471,051	A	*	5/1949	Tway	280/79.11
4,471,971	A	*	9/1984	Keesler	280/79.11
4,572,531	A	*	2/1986	Elia	280/79.11
4,630,838	A	*	12/1986	Stockton	280/43.24
4,854,803	A	*	8/1989	Coccaro	414/429
4,976,449	A	*	12/1990	Lotspeich et al.	280/79.7
D315,239	S	*	3/1991	Krause et al.	D34/28
5,071,151	A	*	12/1991	Irwin	280/43.24
5,112,070	A	*	5/1992	Hahn	280/79.3

5,176,487	A	*	1/1993	Flitton	414/428
5,335,923	A	*	8/1994	Langenback et al.	280/79.11
D366,547	S	*	1/1996	Arn	D34/23
D371,450	S	*	7/1996	Hodges	D34/23
D377,700	S	*	1/1997	Butler	D34/28
5,609,461	A	*	3/1997	Licnhtenberg	414/426
5,732,960	A	*	3/1998	Elam	414/426
D416,120	S	*	11/1999	Campolito	D34/28
D420,482	S	*	2/2000	Hultqvist et al.	D34/28
6,287,069	B1	*	9/2001	Oliphant et al.	414/426
D467,402	S	*	12/2002	DiStaulo	D34/28

* cited by examiner

Primary Examiner—Cynthia E. Ramirez

(74) *Attorney, Agent, or Firm*—Pearne & Gordon LLP

(57) **CLAIM**

The ornamental design for a plow blade mount, as shown and described.

DESCRIPTION

FIG. 1 is a perspective view of a plow blade mount cart, showing my new design.

FIG. 2 is a top view thereof.

FIG. 3 is a side view thereof.

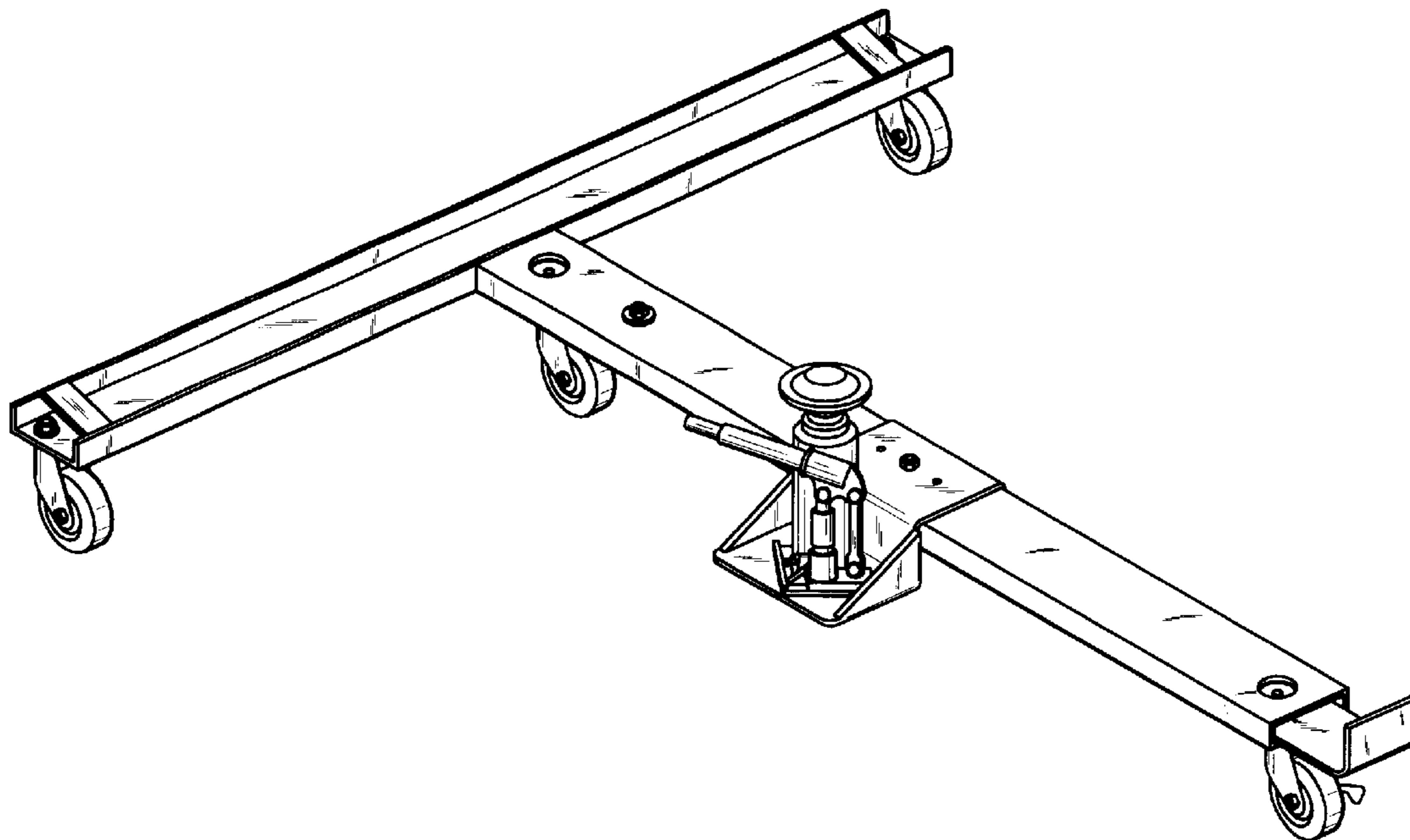
FIG. 4 is a rear view thereof.

FIG. 5 is an opposite side view thereof.

FIG. 6 is a bottom view thereof; and,

FIG. 7 is a front view thereof.

1 Claim, 3 Drawing Sheets



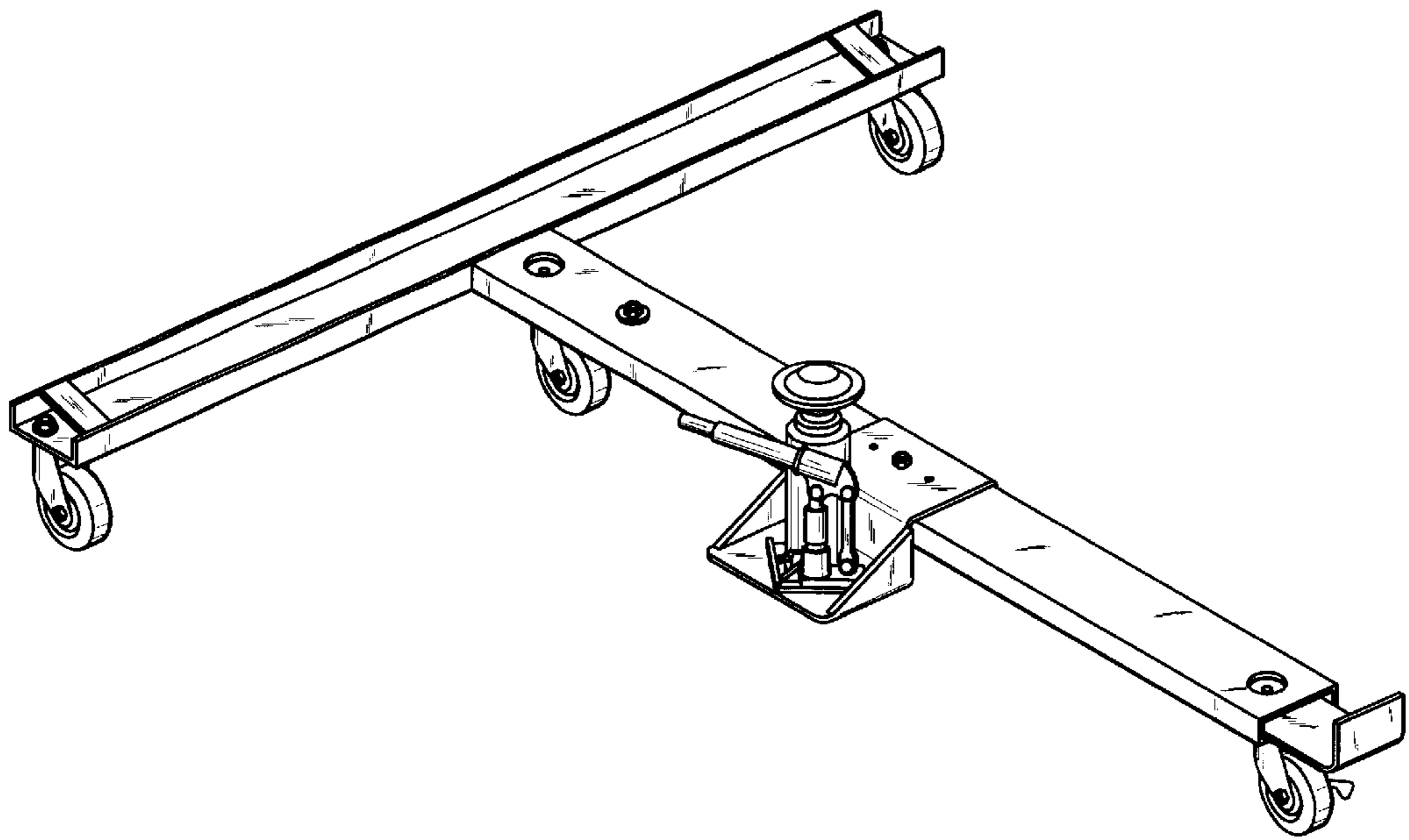


FIG. 1

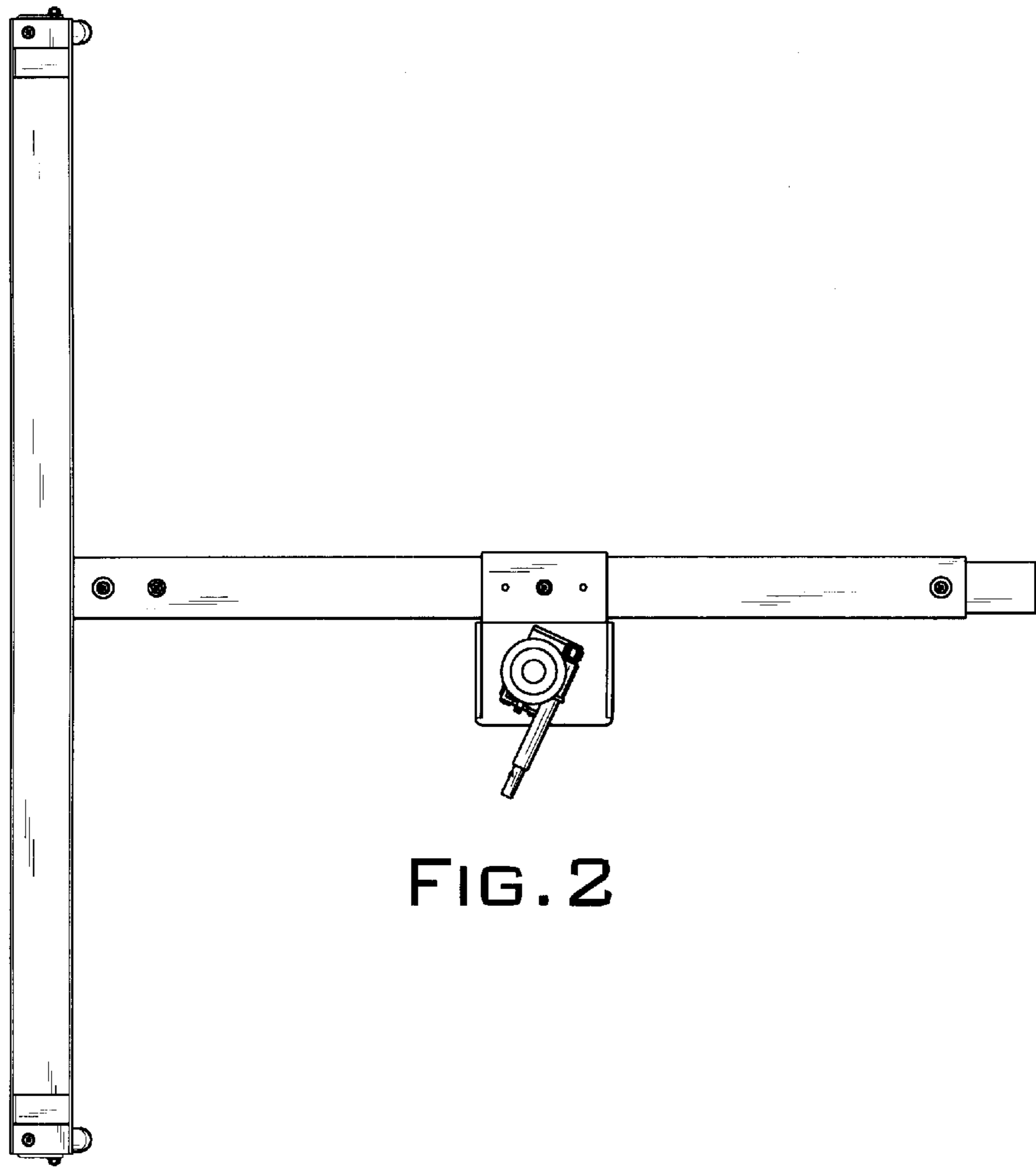


FIG. 2

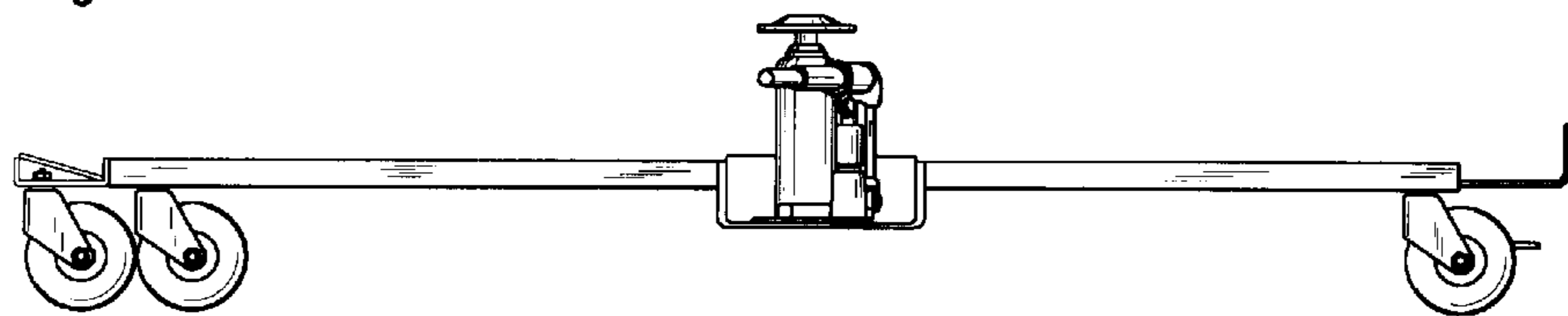


FIG. 3

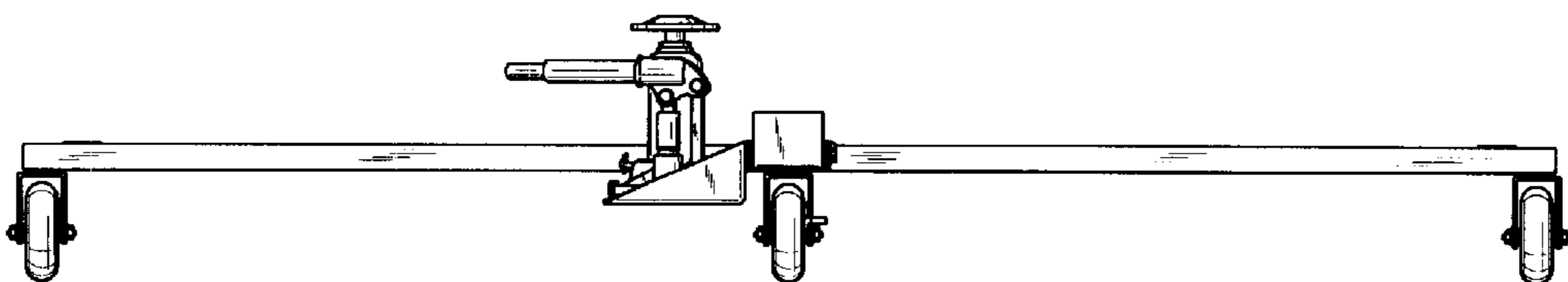


FIG. 4

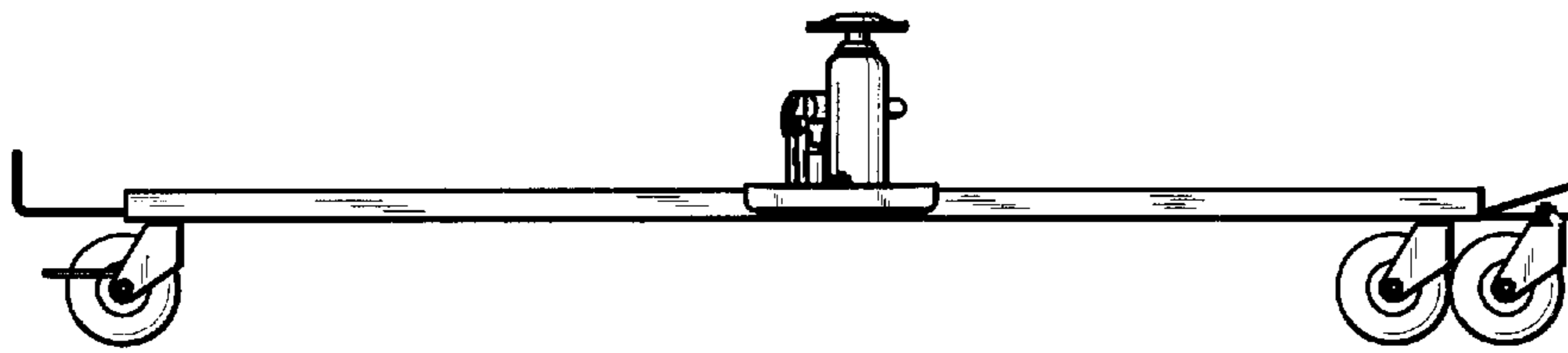


FIG. 5

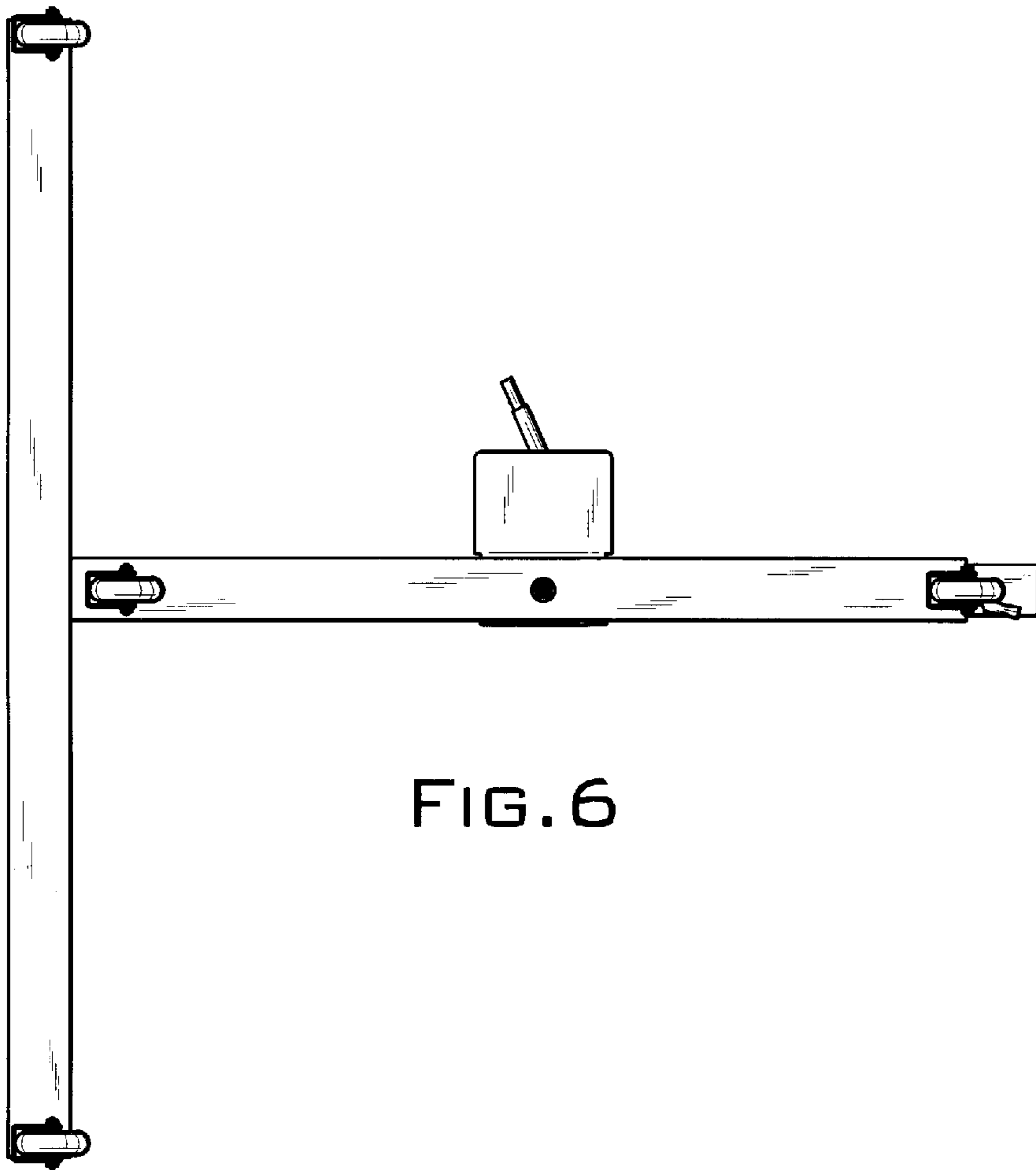


FIG. 6

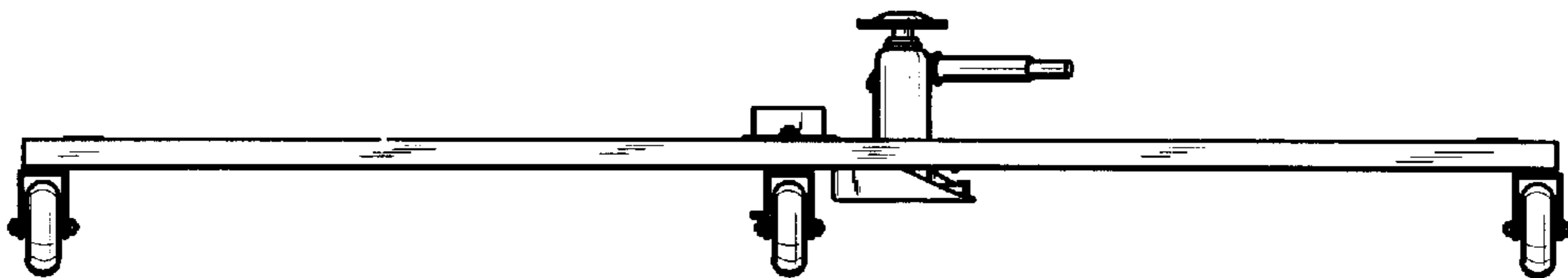


FIG. 7