



US00D475826S

(12) **United States Design Patent**
Mowe

(10) **Patent No.:** **US D475,826 S**

(45) **Date of Patent:** **** Jun. 10, 2003**

(54) **COMBINED BRUSH WIPER AND HOLDER FOR PAINT CAN**

GB 2213459 * 8/1989 B65D/25/20

* cited by examiner

(76) Inventor: **Kelly L. Mowe**, 842 Maxie La.,
Lawrenceville, GA (US) 30044

Primary Examiner—Alan P. Douglas
Assistant Examiner—Lavone D. Tabor
(74) *Attorney, Agent, or Firm*—Harry I. Leon

(**) Term: **14 Years**

(21) Appl. No.: **29/168,408**

(57) **CLAIM**

(22) Filed: **Sep. 30, 2002**

The ornamental design for a combined brush wiper and holder for paint can, as shown and described.

(51) **LOC (7) Cl.** **07-07**

DESCRIPTION

(52) **U.S. Cl.** **D32/54**

(58) **Field of Search** D32/53, 54; 211/65-66;
220/697, 700, 701, 736, 695, 698, 733;
248/110, 113, 213.2; D9/436

FIG. 1 is a top, front, and left side perspective view of a combined brush wiper and holder for paint can showing my new design, the broken lines showing a paint can and paint brush being for illustrative purposes only and forming no part of the claimed design;

(56) **References Cited**

U.S. PATENT DOCUMENTS

1,984,170 A * 12/1934 Archbold, Jr. 220/695
4,266,686 A * 5/1981 Carter 220/697

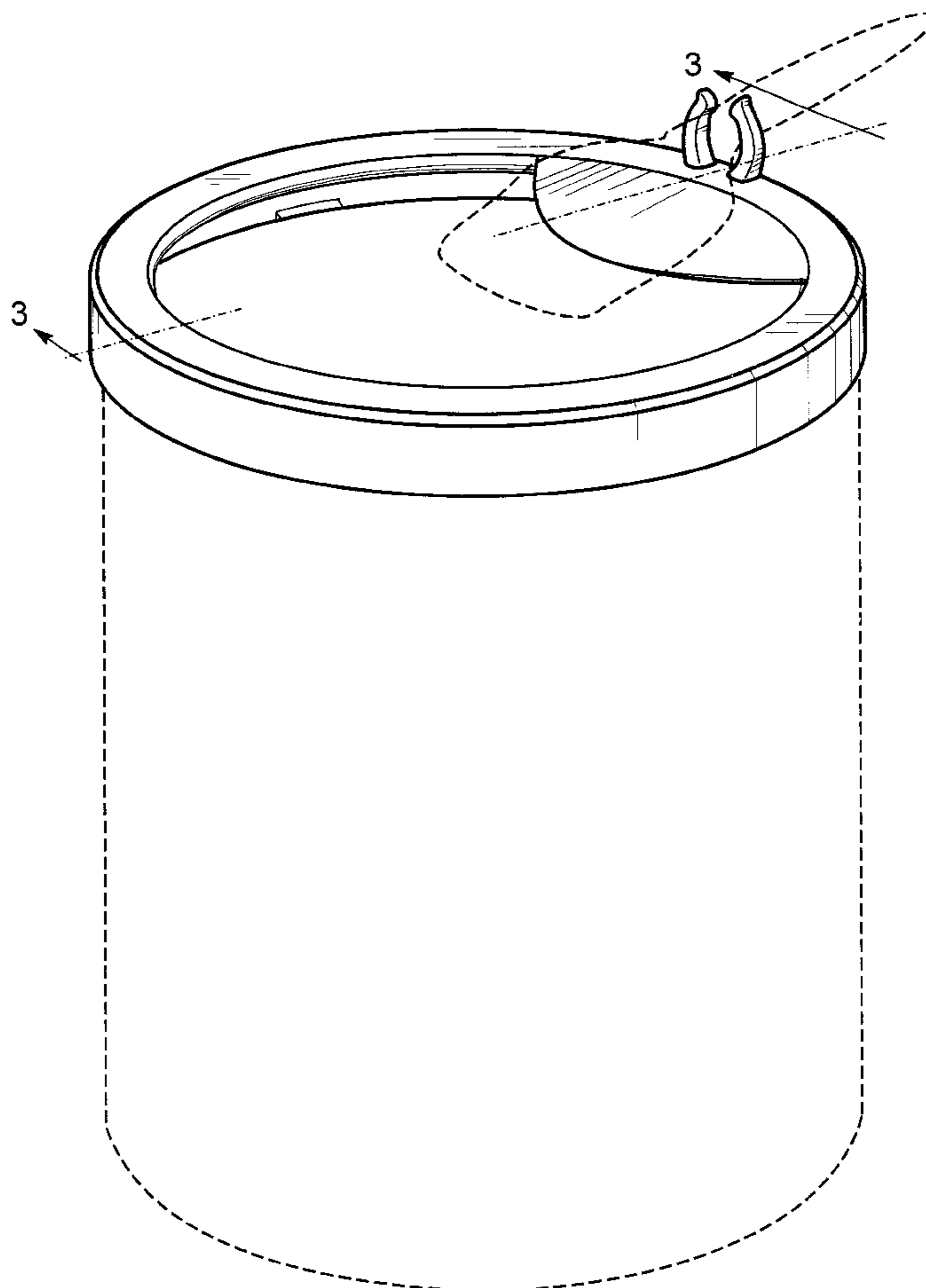
FIG. 2 is a bottom and right side perspective view thereof;
FIG. 3 is a cross-sectional view taken along line 3-3 of FIG. 1; and,

FOREIGN PATENT DOCUMENTS

FIG. 4 is rear elevational view thereof.

CA 2163717 * 6/1996 B44D/3/12

1 Claim, 2 Drawing Sheets



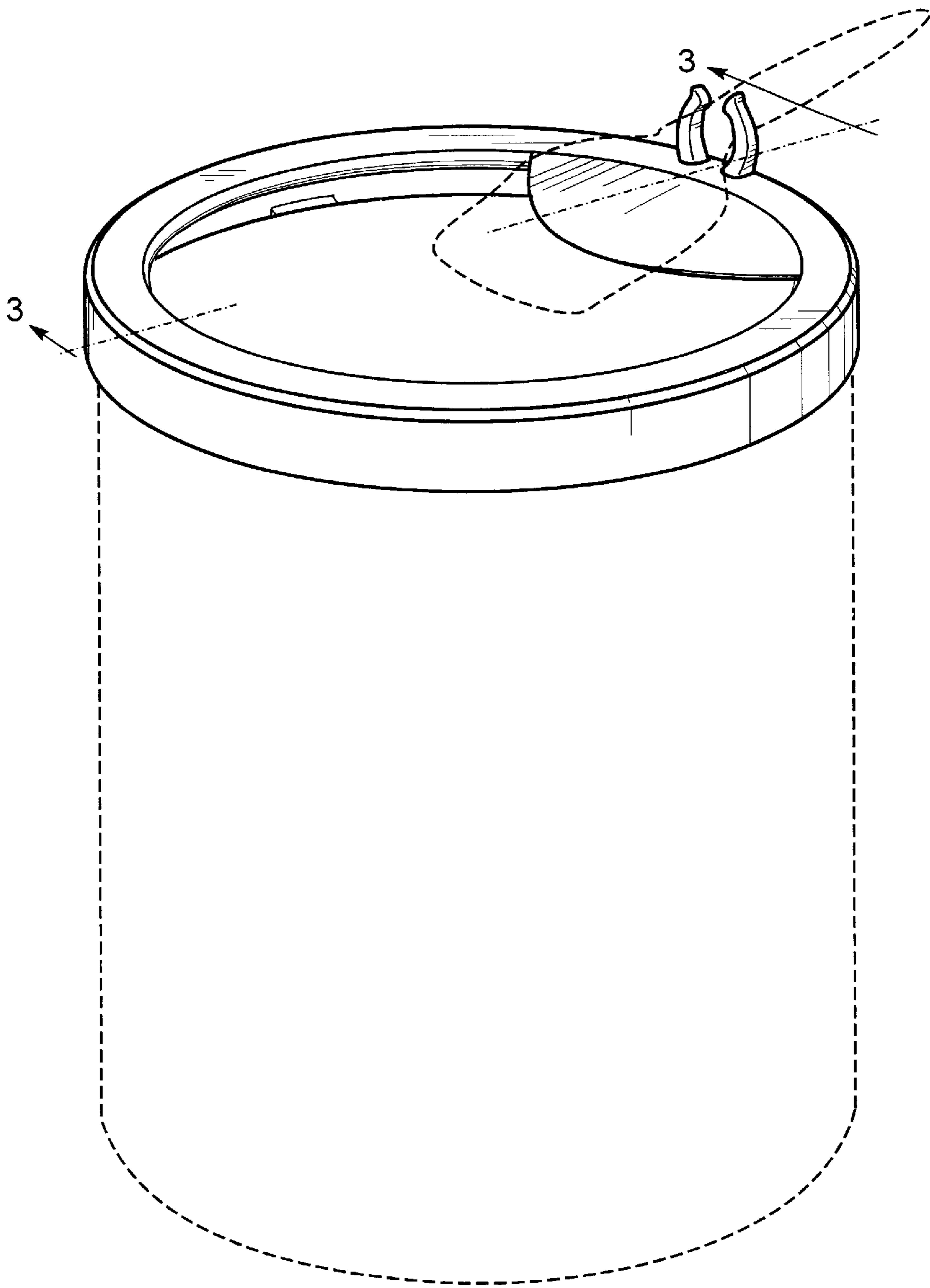


Fig. 1

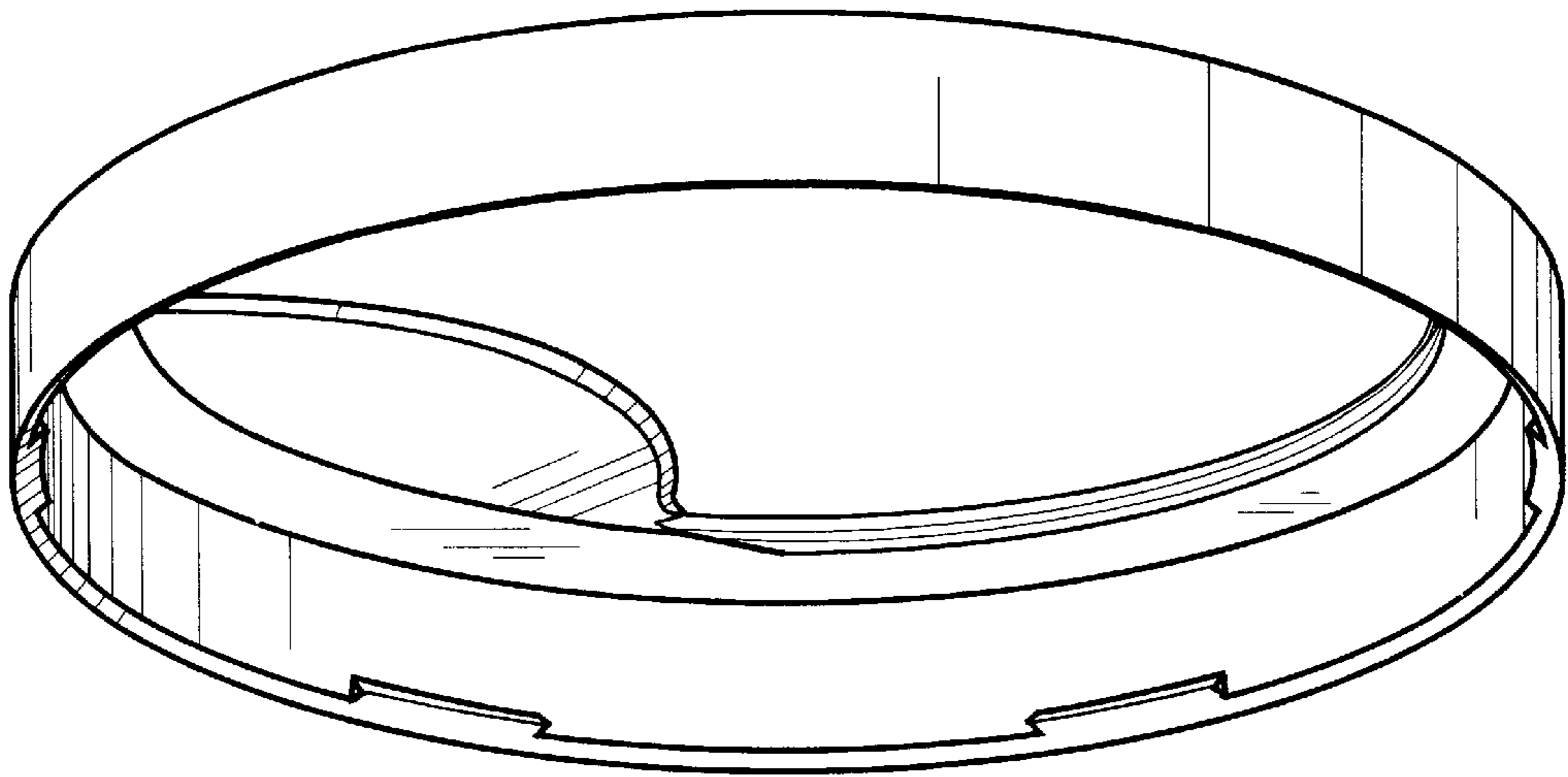


Fig. 2

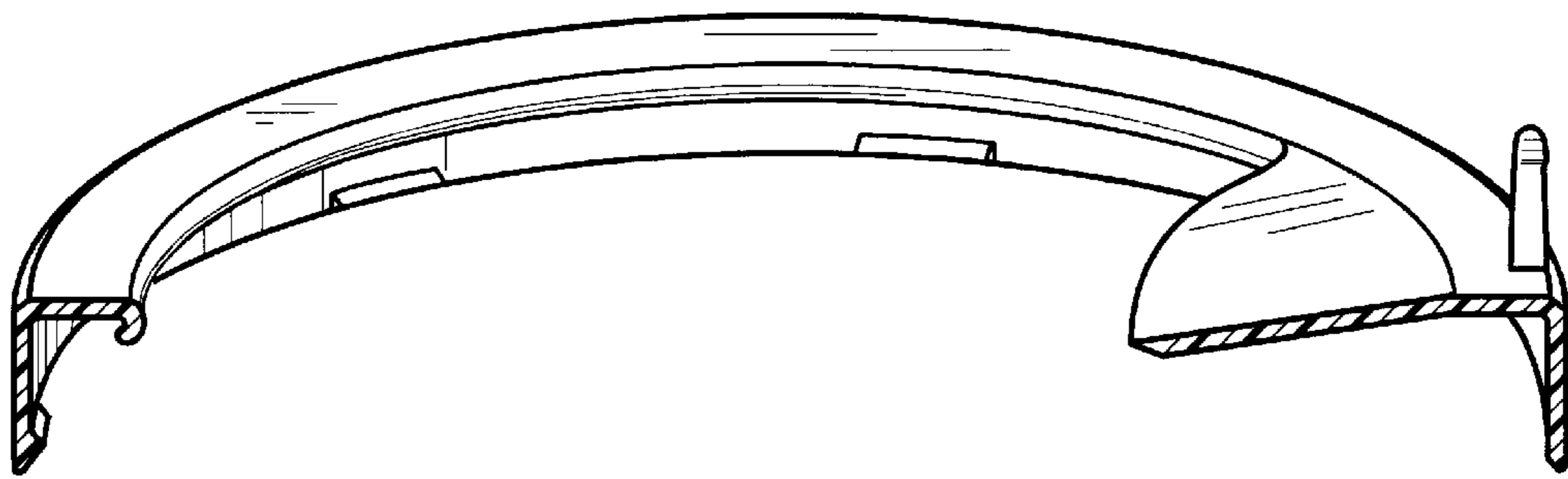


Fig. 3

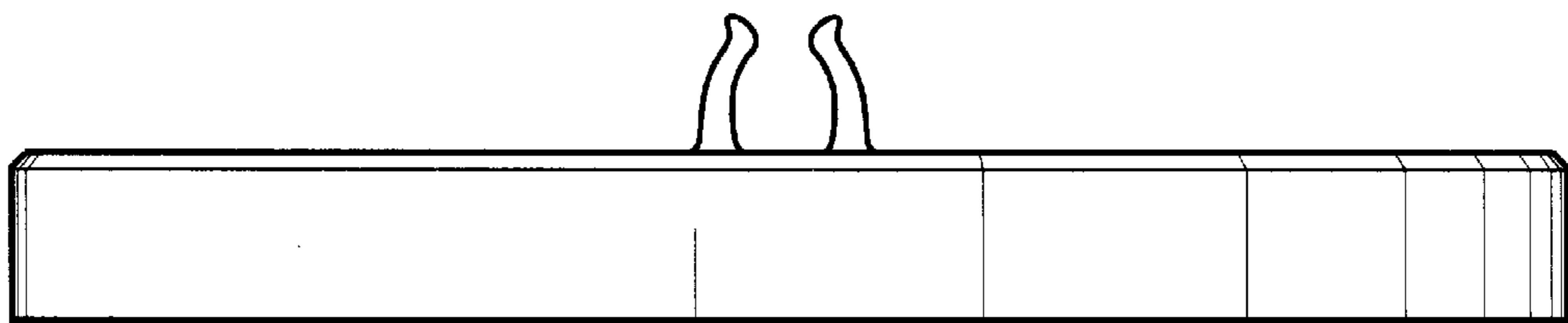


Fig. 4