



US00D475825S

(12) **United States Design Patent**
Ribezzo

(10) **Patent No.:** **US D475,825 S**

(45) **Date of Patent:** **** Jun. 10, 2003**

(54) **SCRAPER TOOL**

(76) Inventor: **Nick Ribezzo**, 10991 Torbram Road,
Brampton, Ontario (CA), L6T 2S1

(**) Term: **14 Years**

(21) Appl. No.: **29/169,415**

(22) Filed: **Oct. 21, 2002**

(30) **Foreign Application Priority Data**

Jun. 17, 2002 (CA) 99780

(51) **LOC (7) Cl.** **08-05**

(52) **U.S. Cl.** **D32/49**

(58) **Field of Search** D8/14, 45, 105;
D32/35, 40, 46, 49; 7/158, 165, 169, 105;
15/143.1, 236.01, 236.03, 236.05, 236.07,
105; 16/110.1, 430; 30/169

(56) **References Cited**

U.S. PATENT DOCUMENTS

1,552,361 A * 9/1925 Trombley 7/105

5,870,786 A * 2/1999 Papadopoulos 7/105

D424,390 S * 5/2000 Denton D8/45

6,131,222 A * 10/2000 Anderson et al. 7/105

D435,408 S * 12/2000 Panfiliet al. D8/16

* cited by examiner

Primary Examiner—Alan P. Douglas

Assistant Examiner—Lavone D. Tabor

(74) *Attorney, Agent, or Firm*—Robert F. Delbridge

(57) **CLAIM**

The ornamental design for a scraper tool, as shown.

DESCRIPTION

FIG. 1 is a perspective view from above of a scraper tool in accordance with the design,

FIG. 2 is a perspective view from below thereof,

FIG. 3 is a plan view thereof,

FIG. 4 is a left hand view thereof,

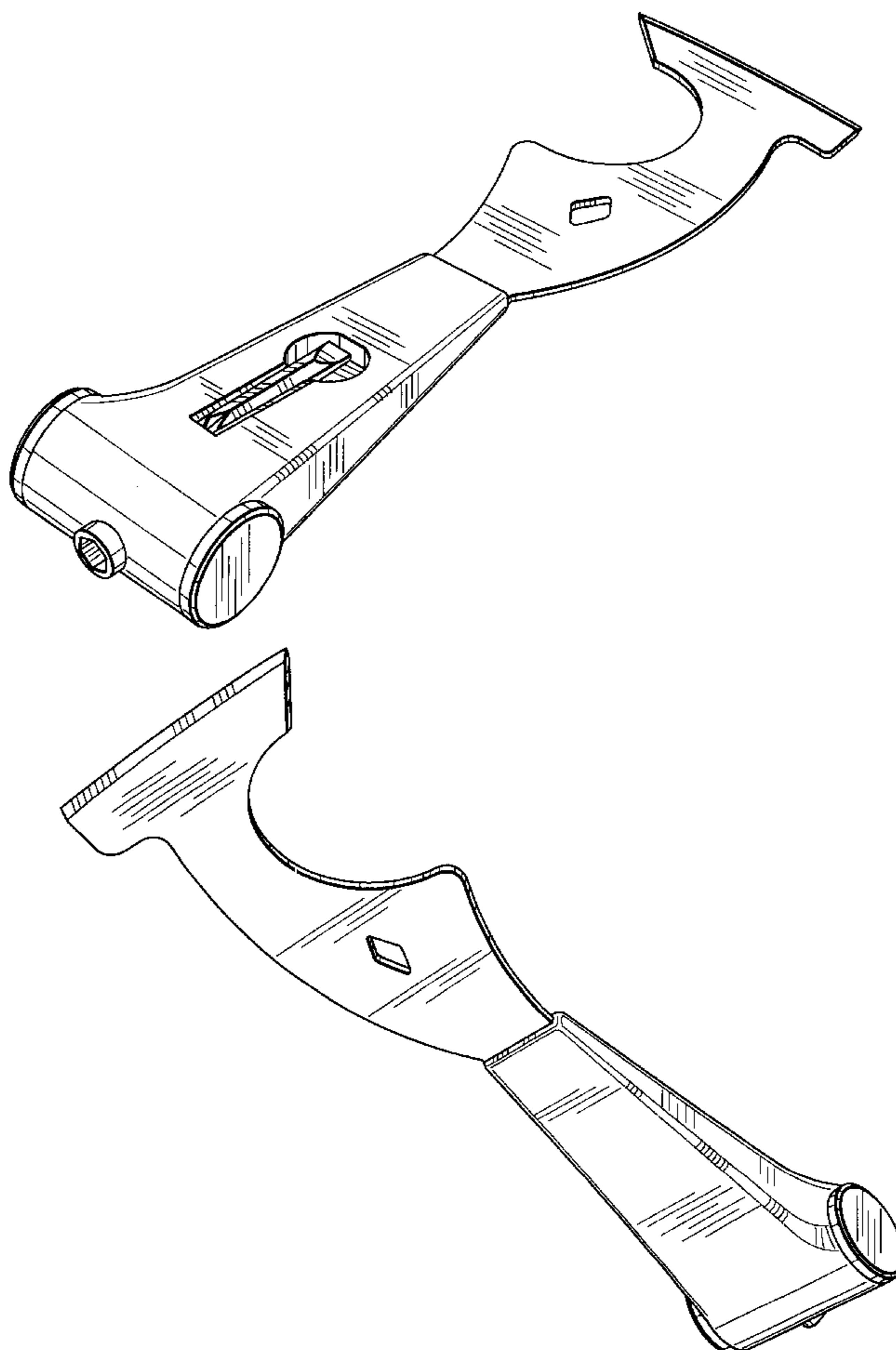
FIG. 5 is a bottom view thereof,

FIG. 6 is a right hand side view thereof,

FIG. 7 is a rear view thereof, and,

FIG. 8 is a front view thereof.

1 Claim, 2 Drawing Sheets



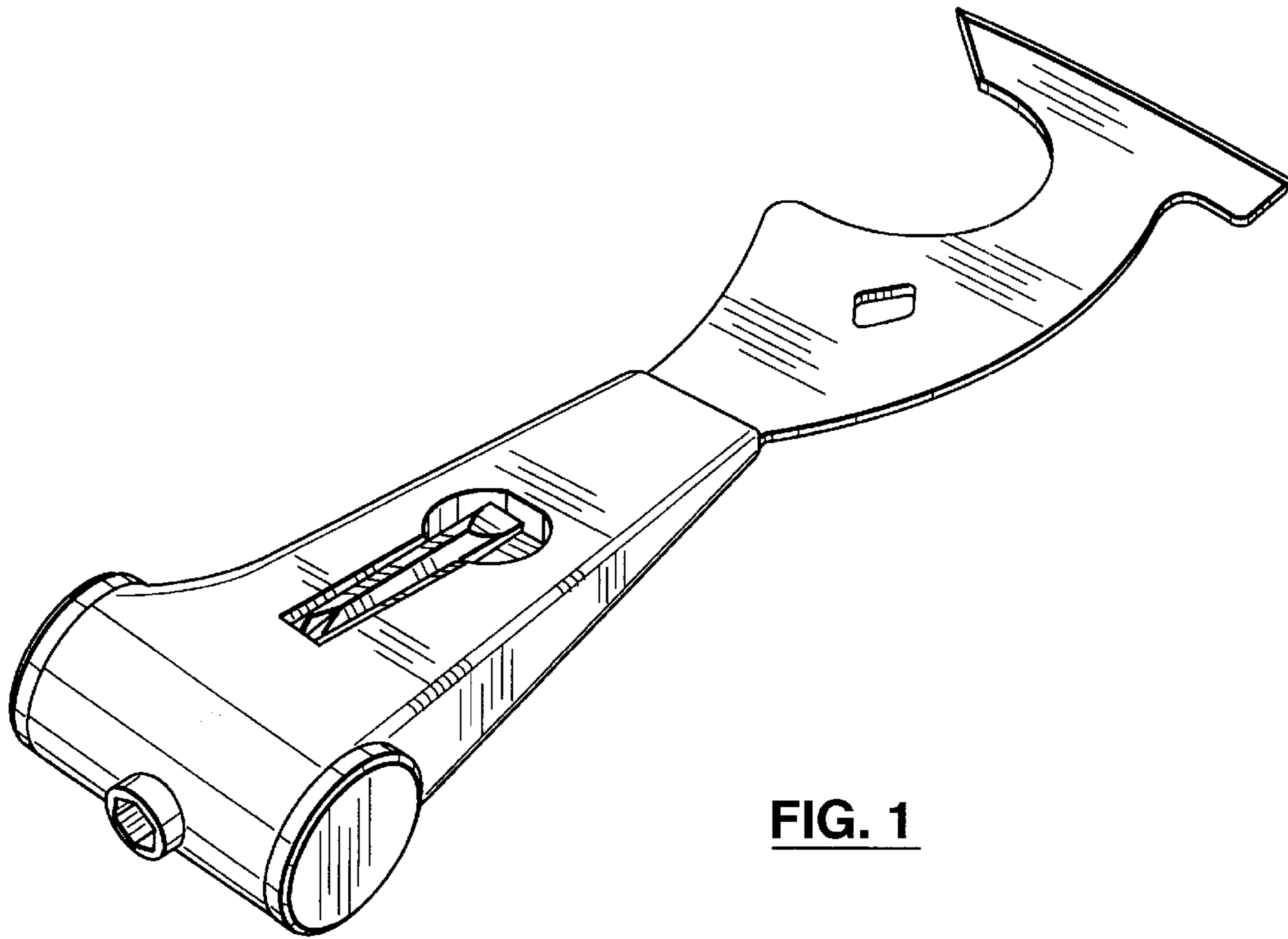


FIG. 1

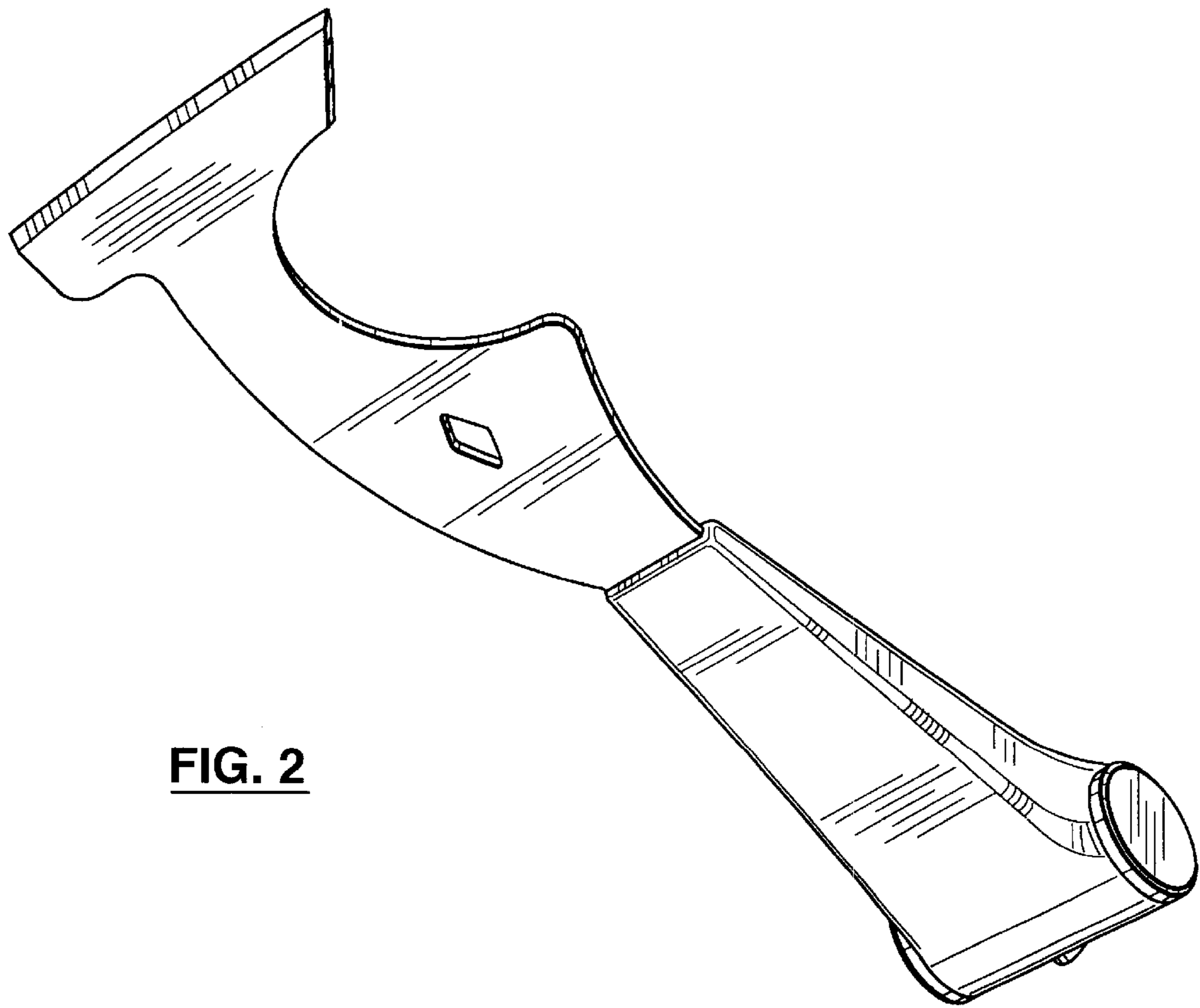


FIG. 2

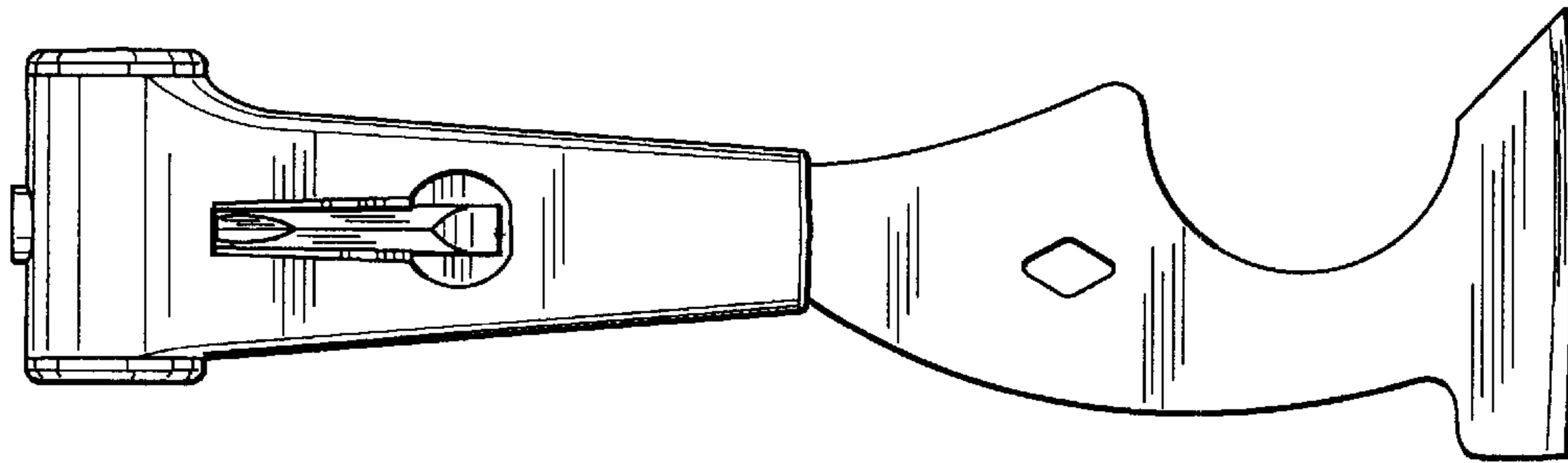


FIG. 3



FIG. 4

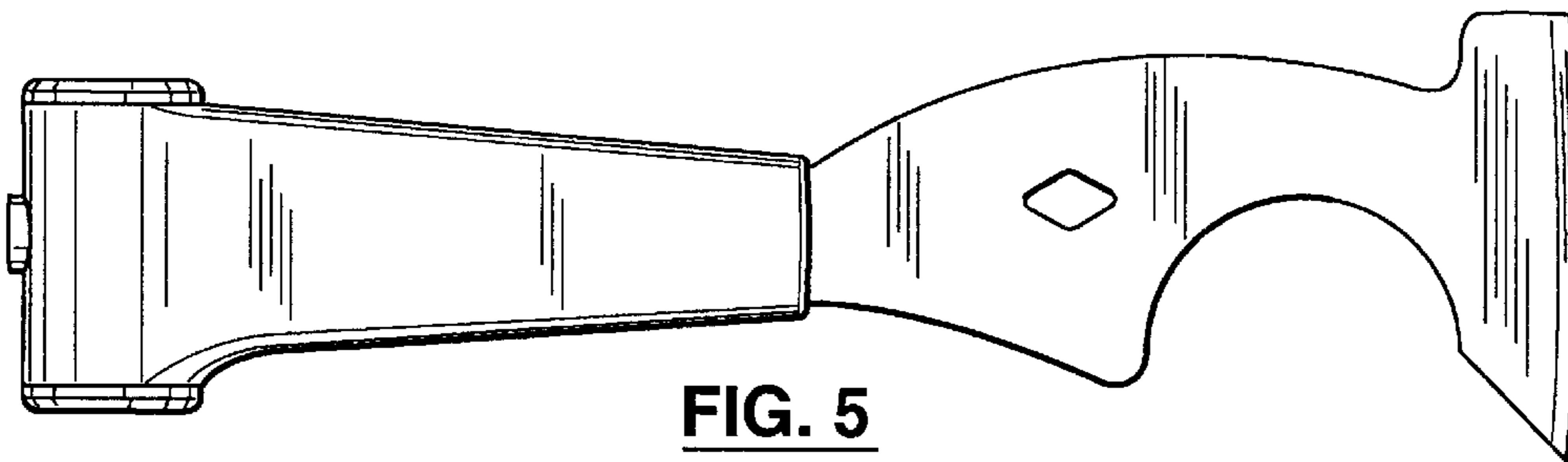


FIG. 5

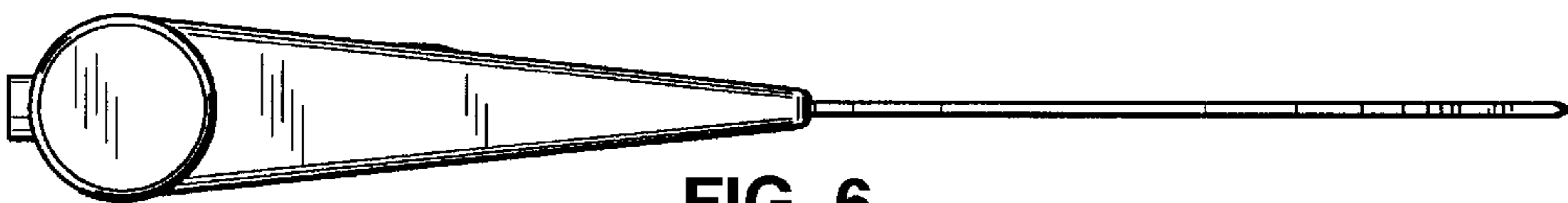


FIG. 6

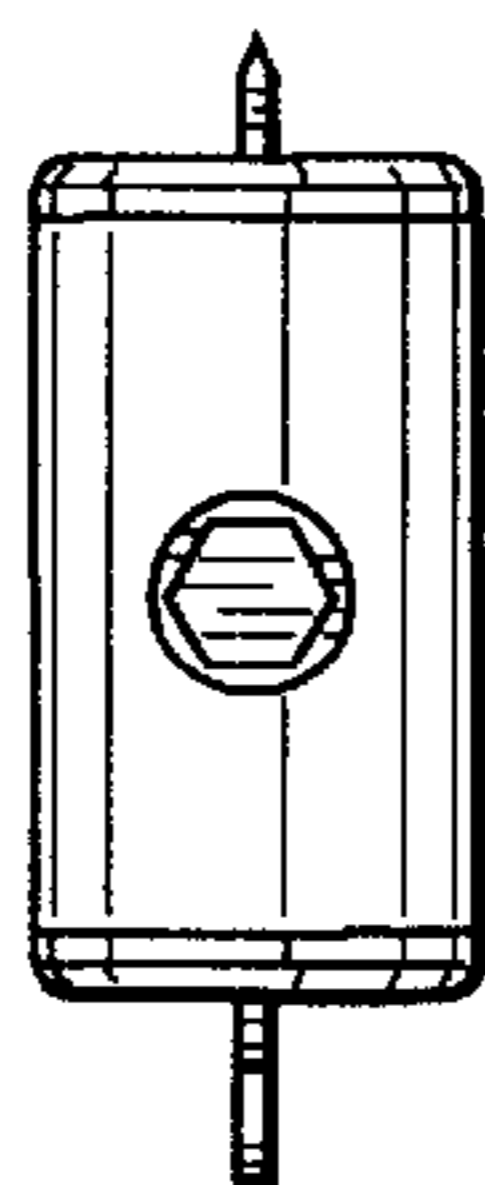


FIG. 7

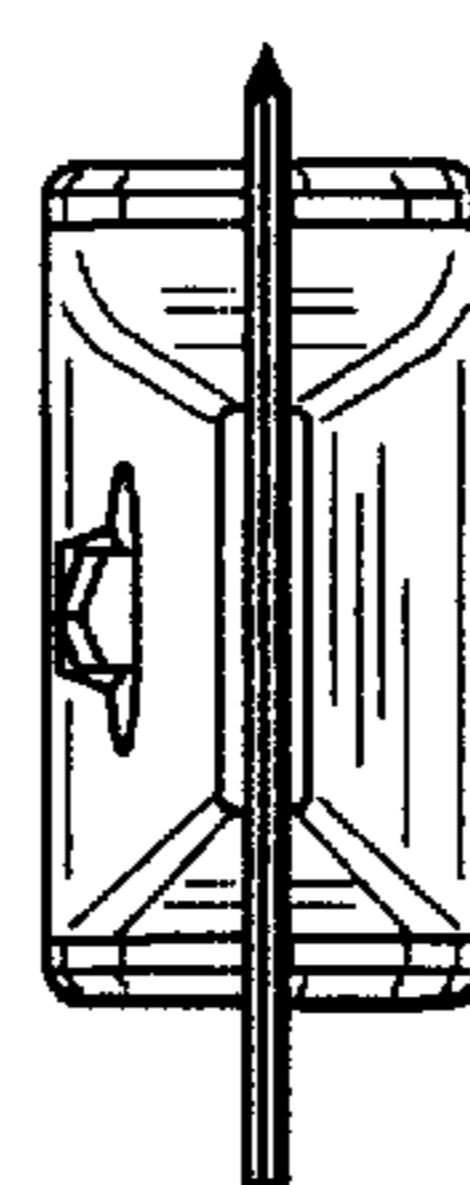


FIG. 8