



US00D475823S

(12) **United States Design Patent**
Medema et al.

(10) **Patent No.:** **US D475,823 S**

(45) **Date of Patent:** **** Jun. 10, 2003**

(54) **VACUUM FOOT WITH BRUSH WINDOW**

(75) **Inventors:** **Douglas J. Medema**, Belding, MI (US); **Kevin T. Downey**, Grand Rapids, MI (US)

(73) **Assignee:** **Bissell Homecare, Inc.**, Grand Rapids, MI (US)

(**) **Term:** **14 Years**

(21) **Appl. No.:** **29/162,938**

(22) **Filed:** **Jun. 24, 2002**

(51) **LOC (7) Cl.** **15-05**

(52) **U.S. Cl.** **D32/32**

(58) **Field of Search** D32/31-33, 21-22;
15/415.1, 410, 383, 350-351, 366, 368,
384

(56) **References Cited**

U.S. PATENT DOCUMENTS

D295,770 S	5/1988	Hilton	
D343,483 S	1/1994	Hoshino	
D375,820 S	11/1996	Picaluga et al.	
D398,094 S	9/1998	Sato et al.	
D398,097 S	9/1998	Murphy et al.	
D411,669 S	* 6/1999	Wareham D32/32
D412,227 S	* 7/1999	Wareham et al. D32/32
D412,380 S	* 7/1999	Wareham D32/32
D416,114 S	11/1999	Mehaffey	

D416,115 S	11/1999	Rohn et al.	
D418,267 S	12/1999	Lin	
D425,273 S	5/2000	Stephens et al.	
D427,396 S	6/2000	Stephens et al.	
D431,332 S	9/2000	Hamm et al.	
D431,334 S	* 9/2000	Stephens et al. D32/32
D432,282 S	10/2000	Hamm et al.	
D434,884 S	* 12/2000	Hohulin et al. D32/22
D439,383 S	* 3/2001	Salo et al. D32/32
D440,019 S	4/2001	Mehaffey et al.	
6,237,189 B1	5/2001	Maurer et al.	
D452,758 S	1/2002	Yokoyama et al.	
D463,080 S	* 9/2002	Farone et al. D32/32

* cited by examiner

Primary Examiner—Ruth McInroy

(74) *Attorney, Agent, or Firm*—McGarry Bair PC

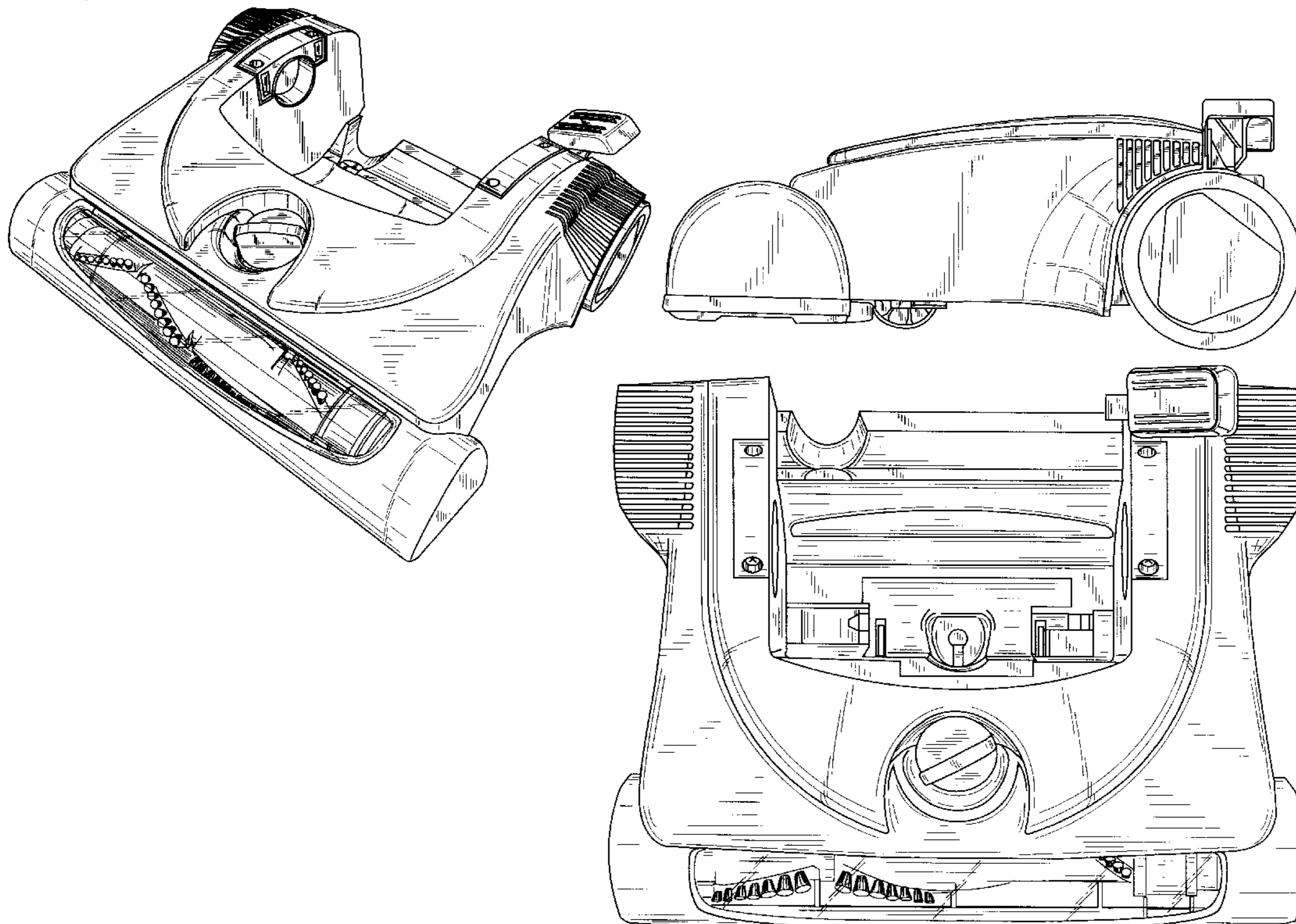
(57) **CLAIM**

The ornamental design for a vacuum foot with brush window, as shown and described.

DESCRIPTION

FIG. 1 is a perspective view of a vacuum foot with brush window showing our new design; FIG. 2 is a front view thereof; FIG. 3 is a rear view thereof; FIG. 4 is a left side view thereof; FIG. 5 is a right side view thereof; and, FIG. 6 is a top view thereof.

1 Claim, 4 Drawing Sheets



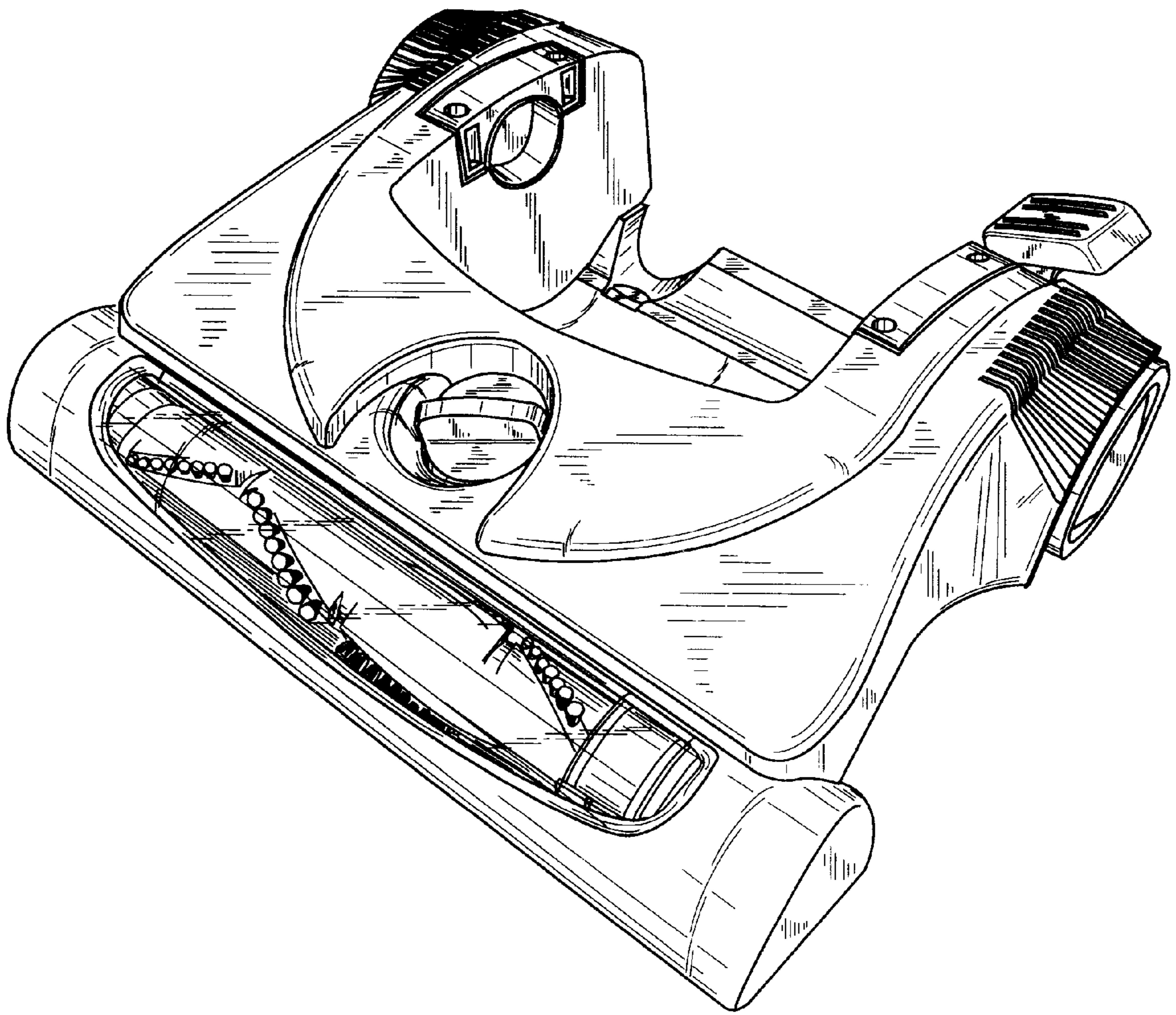


Fig. 1

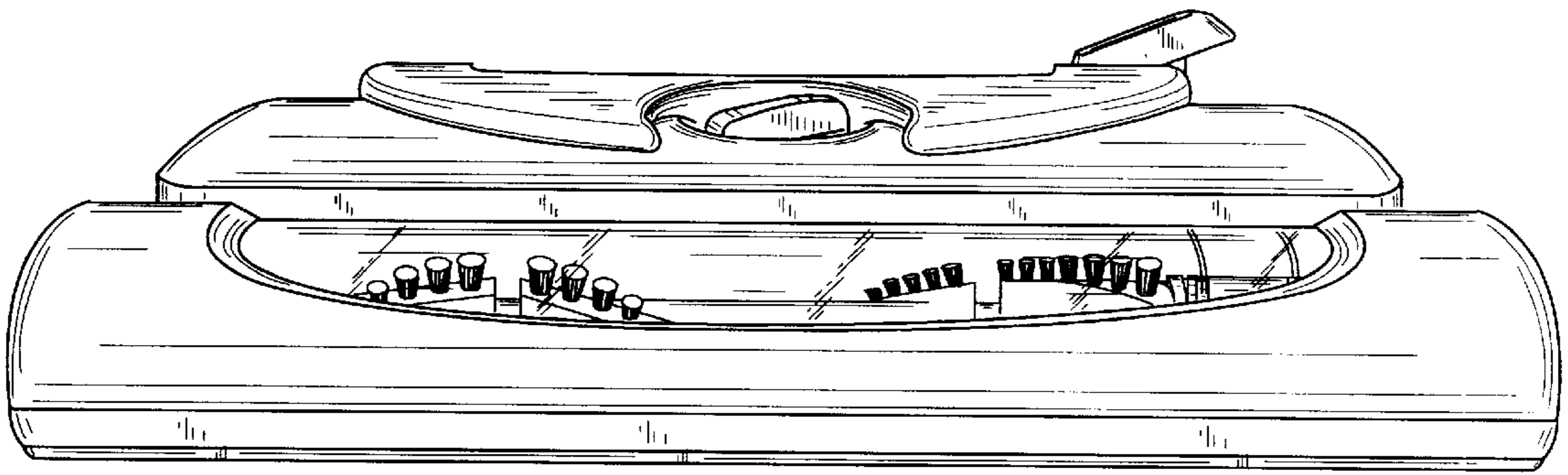


Fig. 2

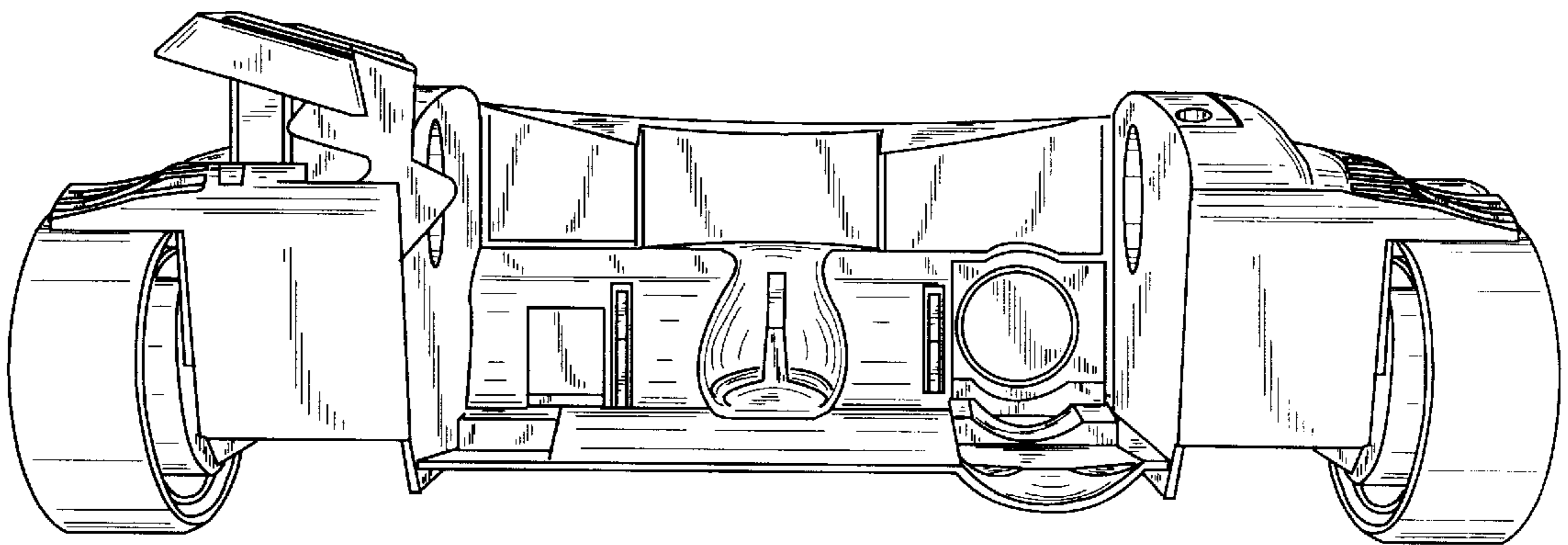


Fig. 3

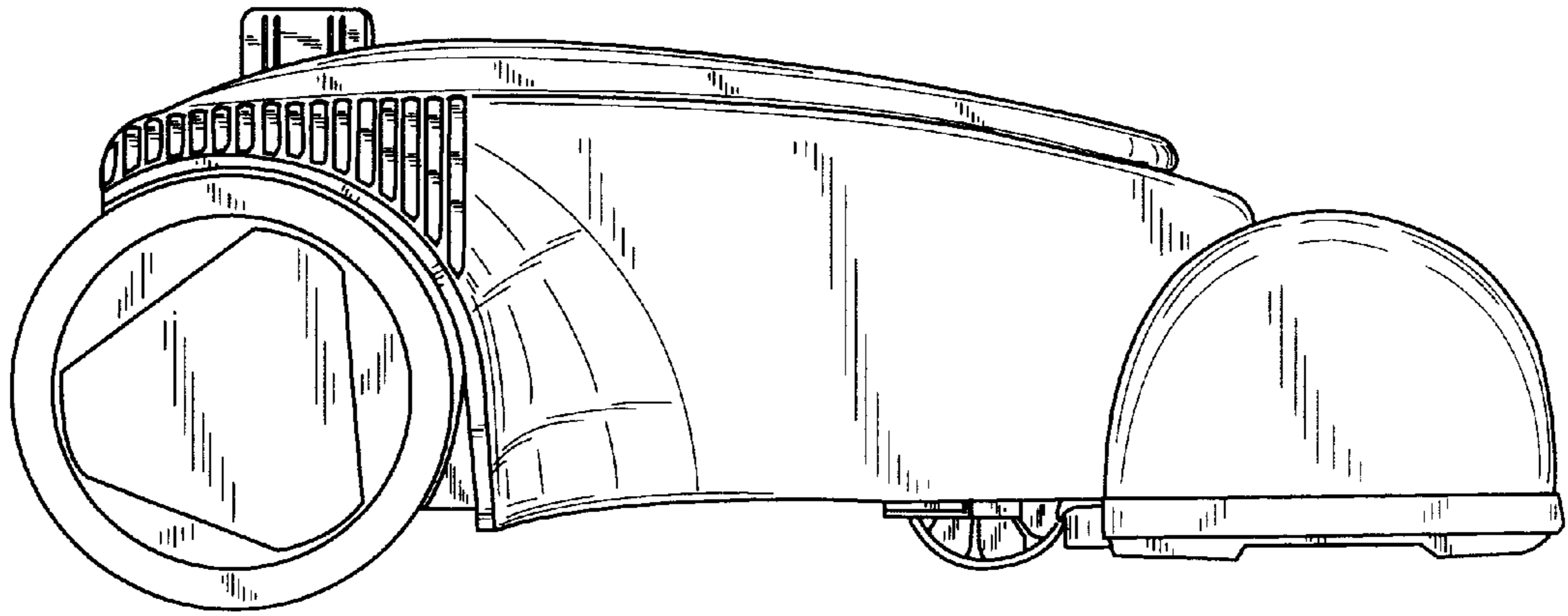


Fig. 4

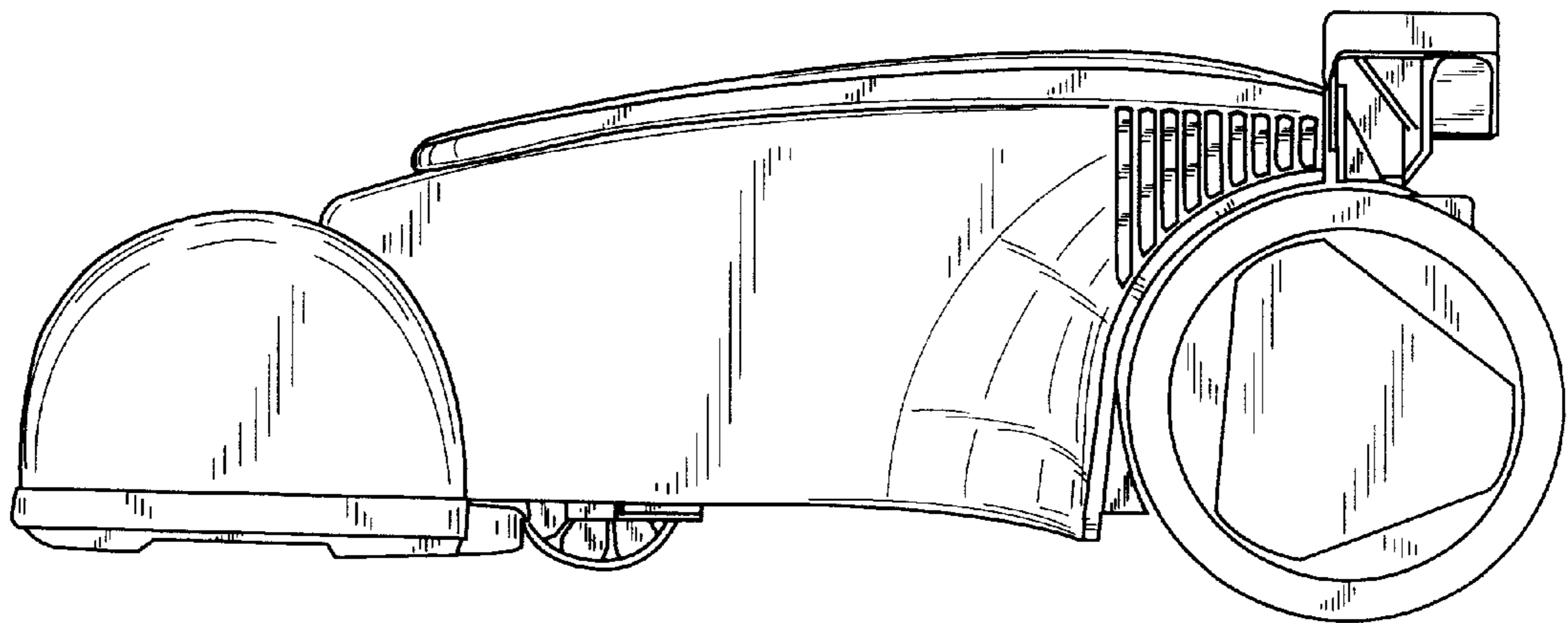


Fig. 5

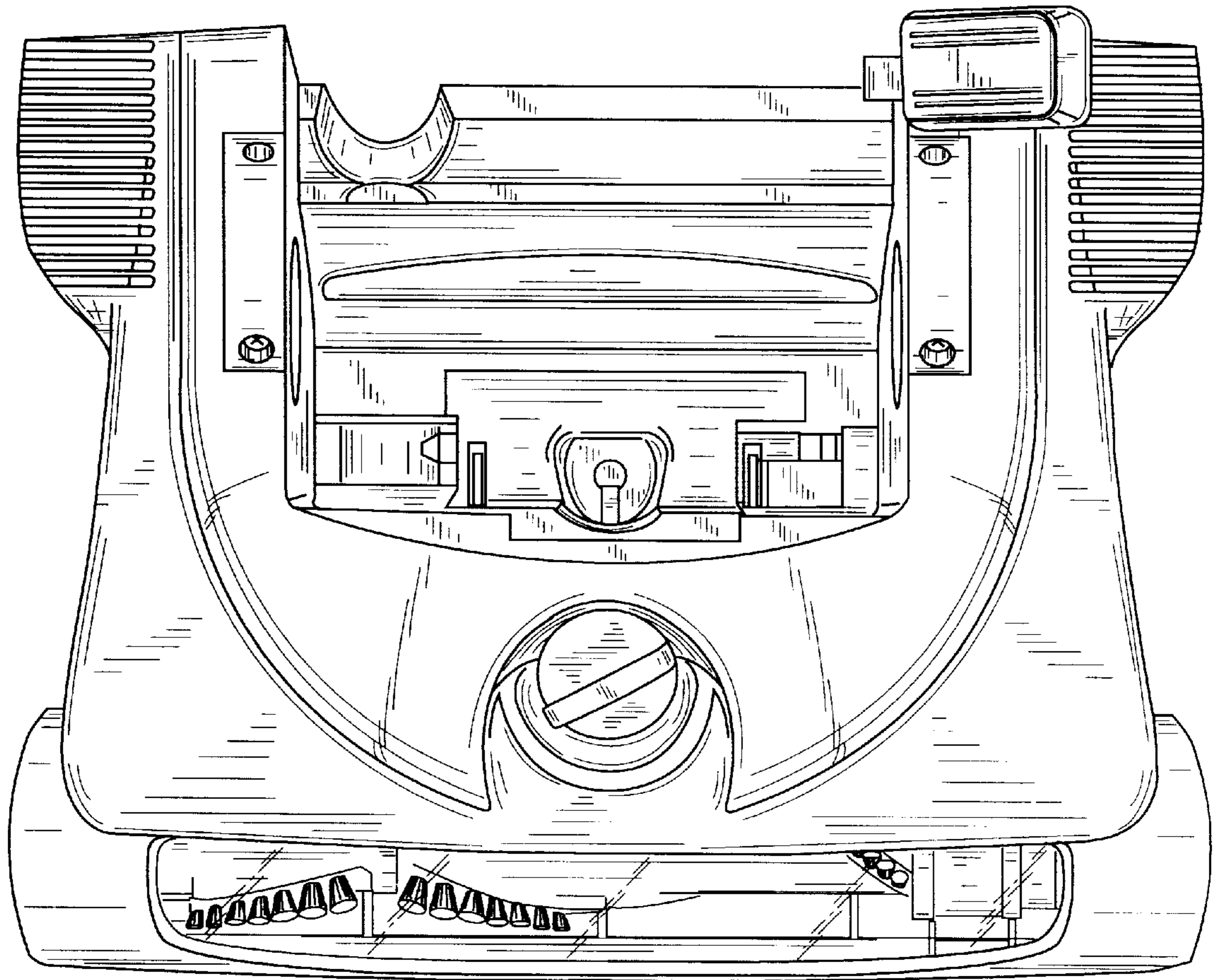


Fig. 6