



US00D475820S

(12) **United States Design Patent**
Dyson et al.

(10) **Patent No.:** **US D475,820 S**

(45) **Date of Patent:** **** Jun. 10, 2003**

(54) **VACUUM CLEANER**

(75) Inventors: **James Dyson**, Little Somerford (GB);
James Edward Gill, Marlborough
(GB); **Miles Sinclair Quance**, Bath
(GB); **Robert Brian Seaman**, Bath
(GB); **Remco Douwinus Vuijk**, Bath
(GB)

(73) Assignee: **Dyson Limited**, Malmesbury (GB)

(**) Term: **14 Years**

(21) Appl. No.: **29/147,074**

(22) Filed: **Aug. 23, 2001**

(30) **Foreign Application Priority Data**

Feb. 24, 2001 (GB) 2099793

(51) **LOC (7) Cl.** **15-05**

(52) **U.S. Cl.** **D32/22**

(58) **Field of Search** D32/21-22, 31-34,
D32/25; 15/331, 347, 350-353, 320-322,
361, 377, 415.1-422.1, 410, 383, 329;
55/345

(56) **References Cited**

U.S. PATENT DOCUMENTS

D305,269 S * 12/1989 Dyson D32/22

D309,203 S * 7/1990 Goodrich D32/22
5,145,499 A * 9/1992 Dyson 55/337
D343,707 S * 1/1994 Dyson D32/22
D375,820 S * 11/1996 Piccaluga et al. D32/22
D417,533 S * 12/1999 Burchard et al. D32/22
6,193,787 B1 * 2/2001 Dyson et al. 95/271
D439,379 S * 3/2001 Gammack et al. D32/22
6,341,404 B1 * 1/2002 Salo et al. 15/353
D455,876 S * 4/2002 Arney et al. D32/22

* cited by examiner

Primary Examiner—Ruth McInroy

(74) *Attorney, Agent, or Firm*—Morrison & Foerster LLP

(57) **CLAIM**

We claim the ornamental design for a vacuum cleaner, as shown.

DESCRIPTION

FIG. 1 is a perspective view of a vacuum cleaner showing our new design;

FIG. 2 is a front elevational view thereof;

FIG. 3 is a rear elevational view thereof;

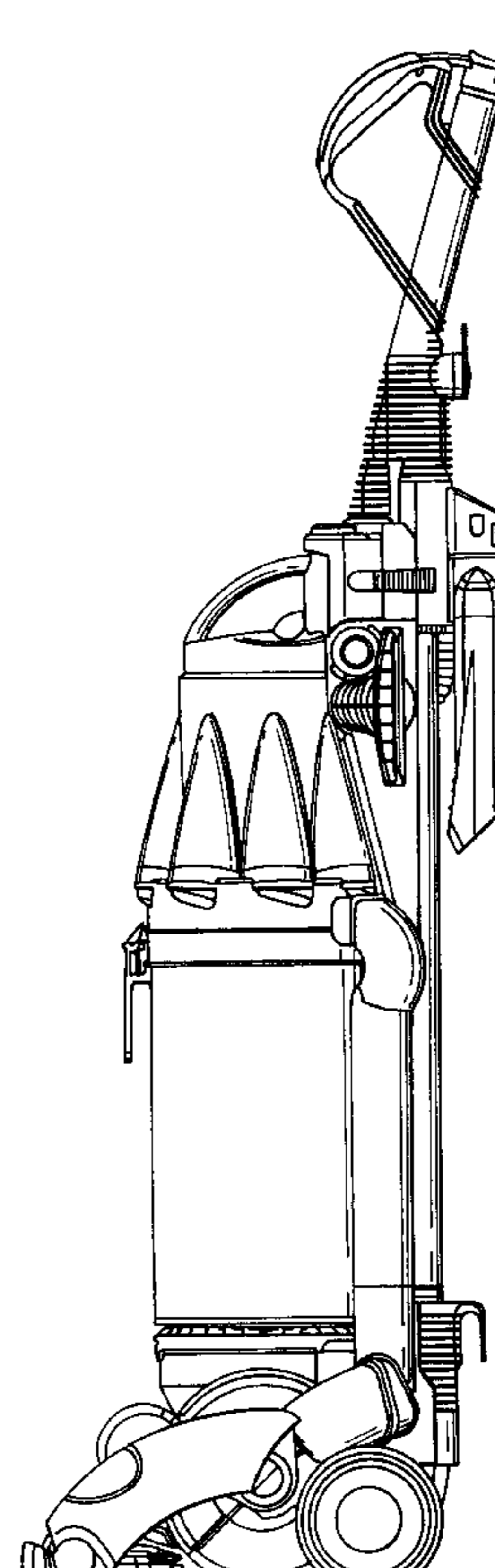
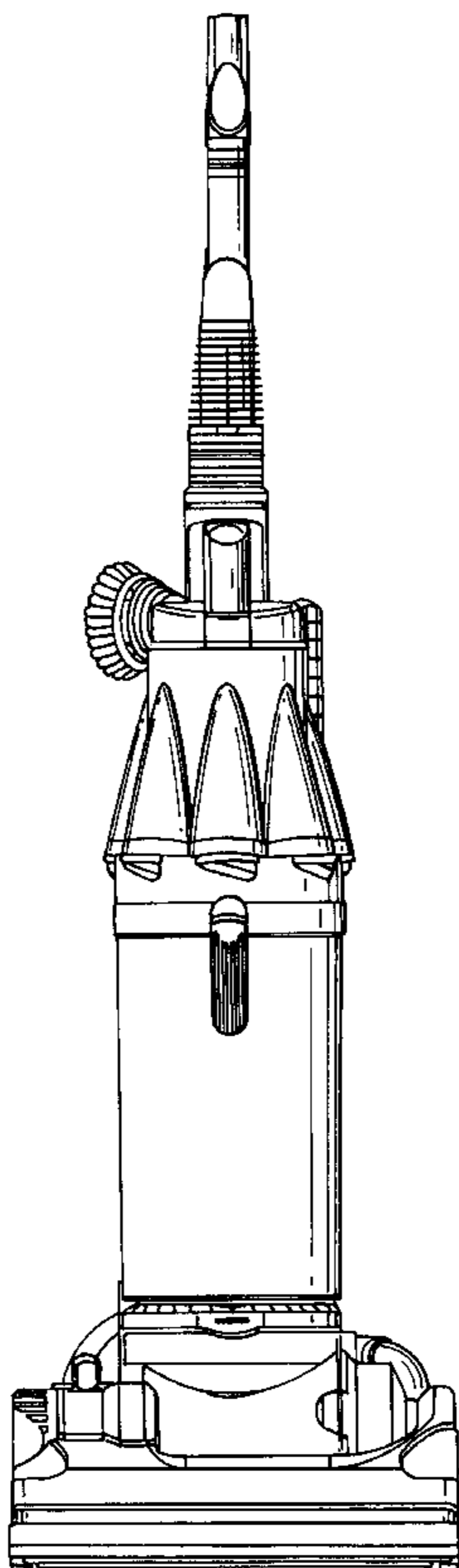
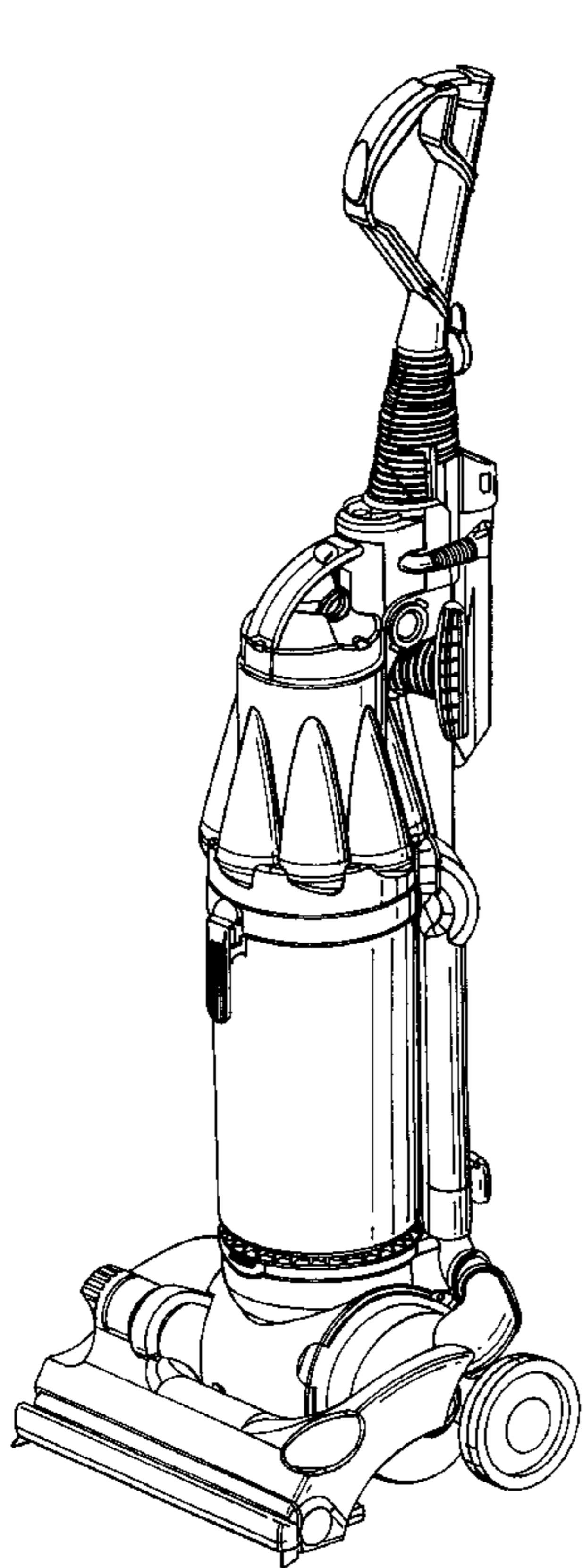
FIG. 4 is a left side elevational view thereof;

FIG. 5 is a right side elevational view thereof;

FIG. 6 is a top plan view thereof; and,

FIG. 7 is a bottom plan view thereof.

1 Claim, 7 Drawing Sheets



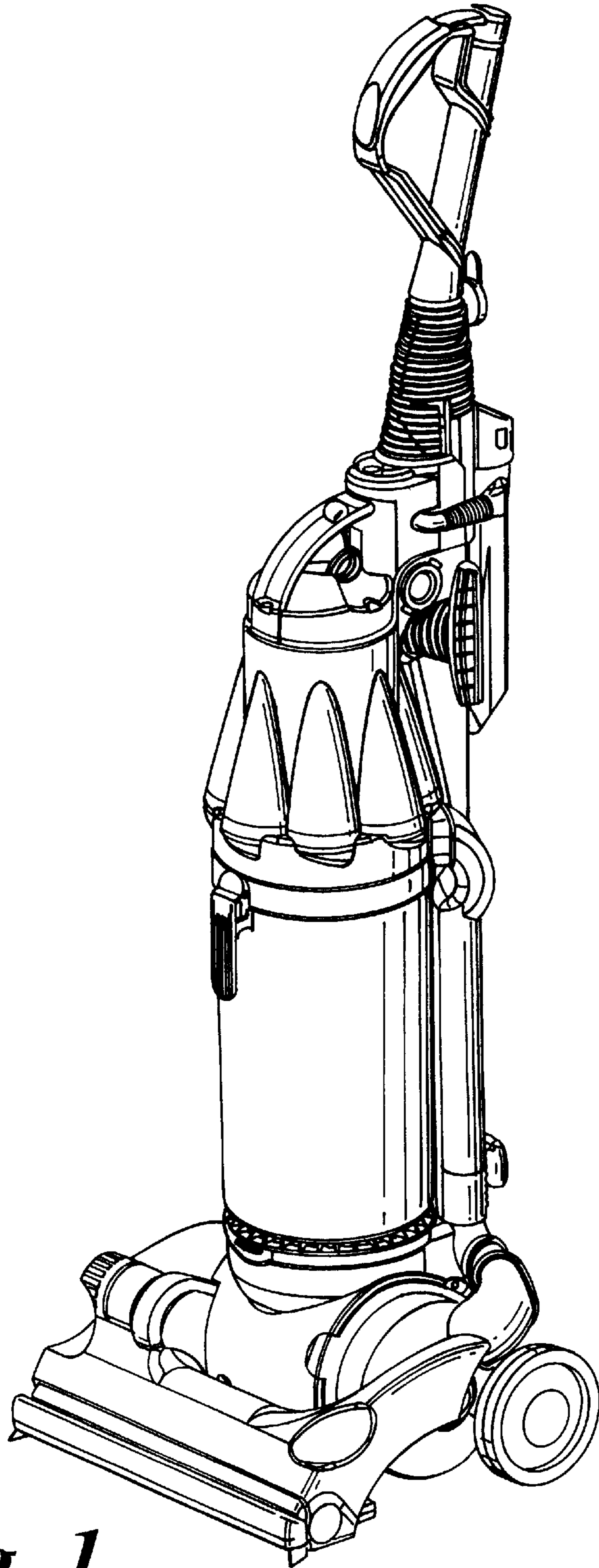


Fig. 1

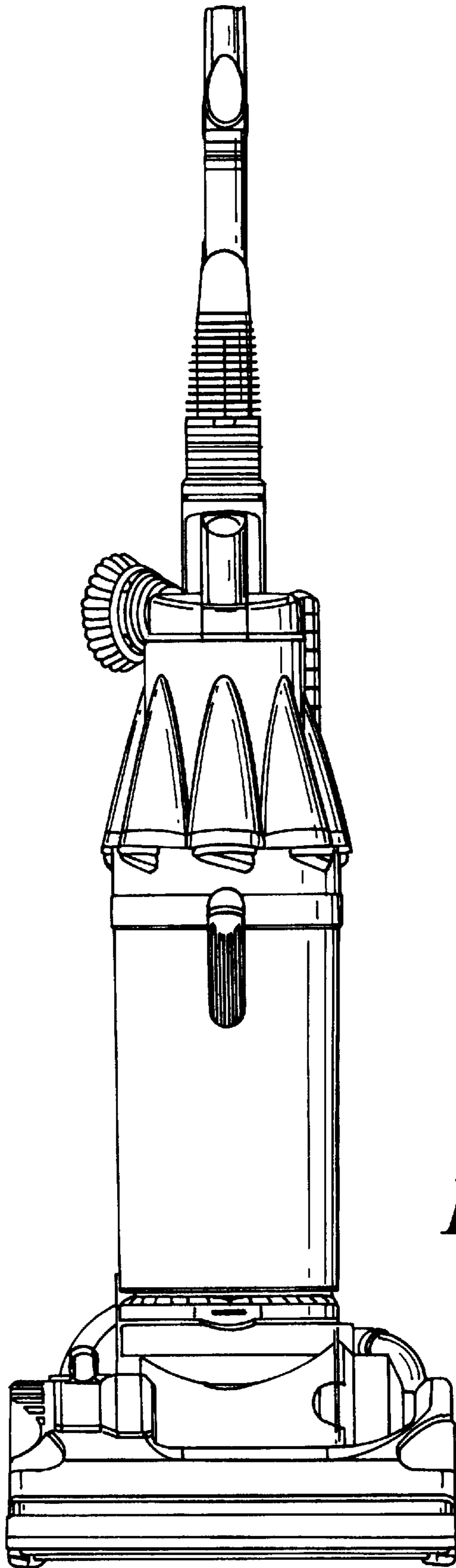


Fig. 2

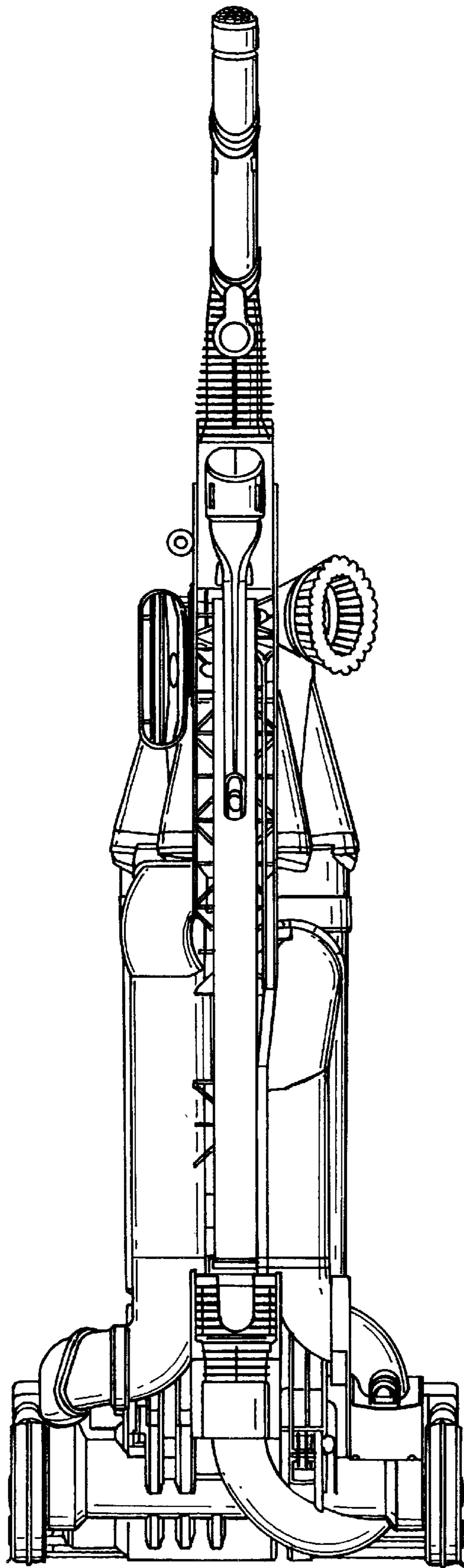


Fig. 3

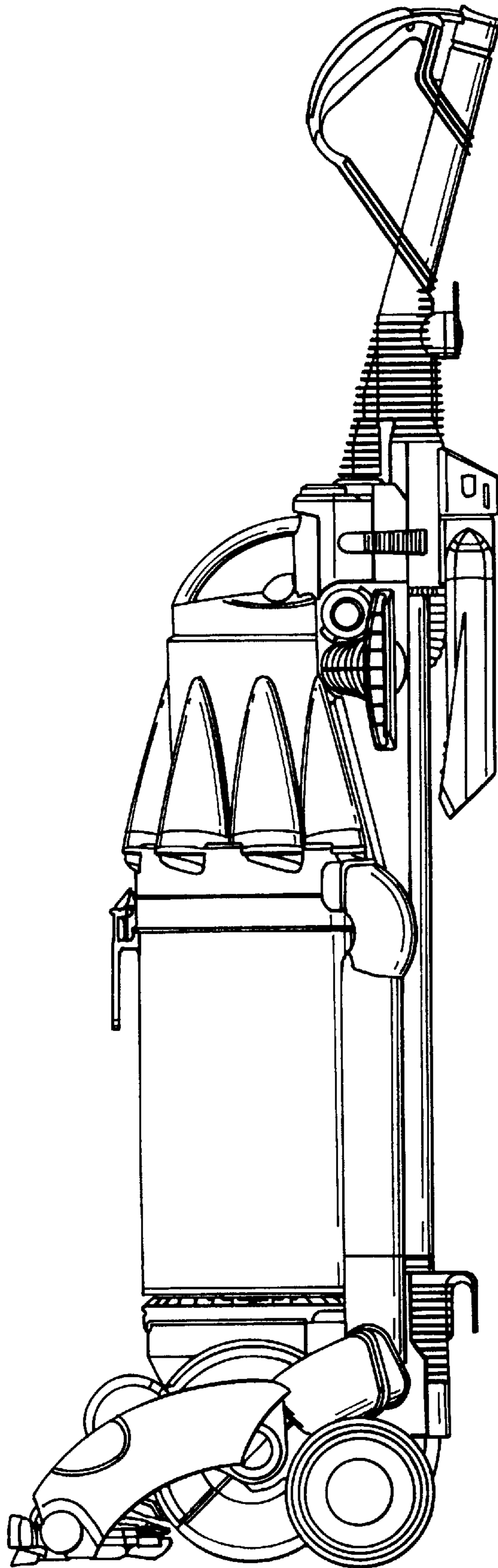


Fig. 4

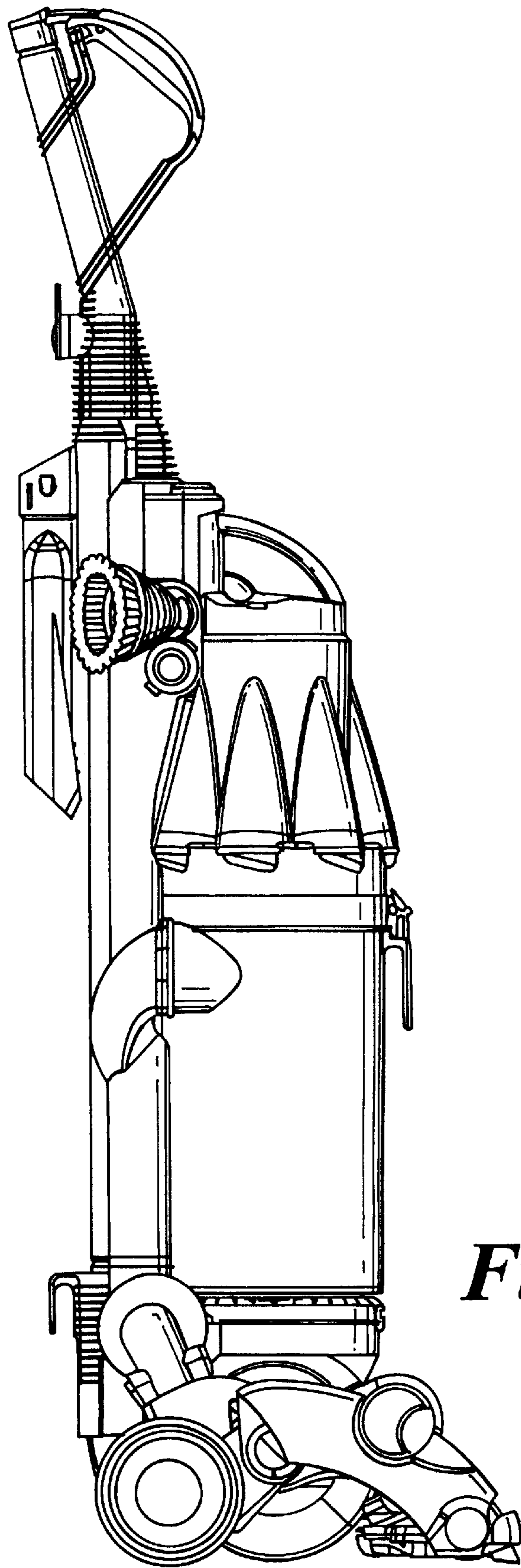


Fig. 5

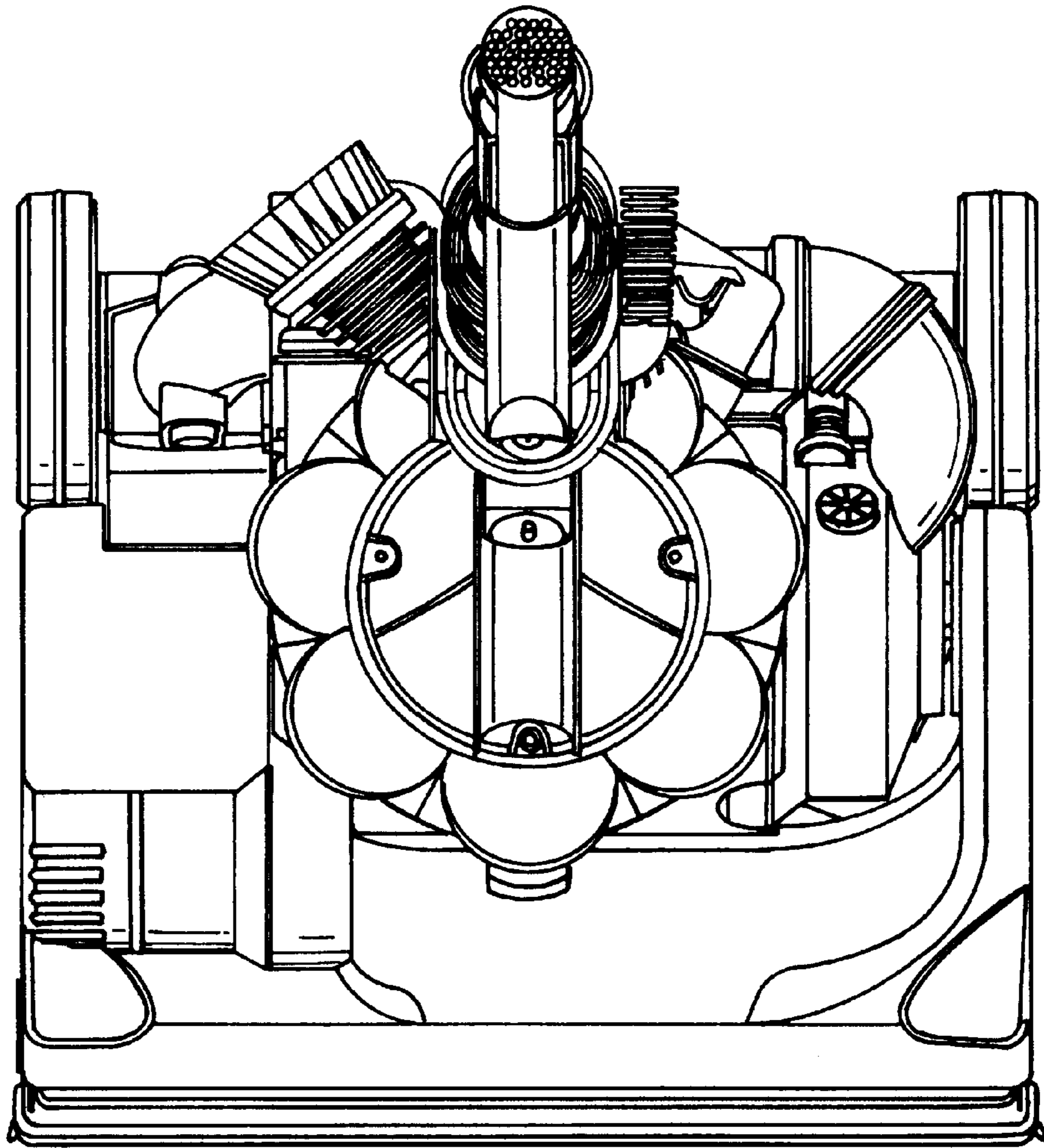


Fig. 6

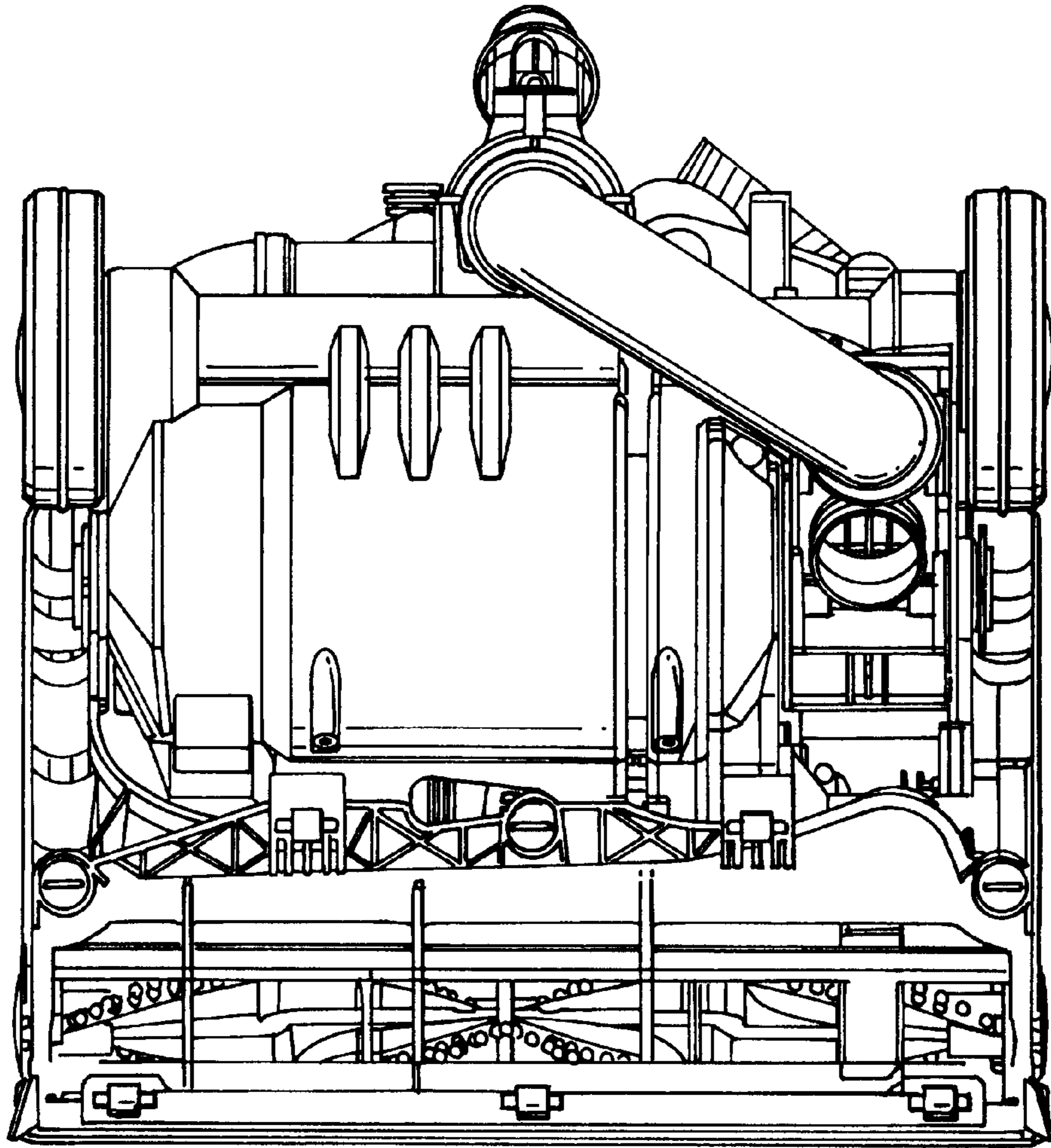


Fig. 7